

# **BUSH HOG®**

## **LAND MAINTENANCE REPAIR PARTS MANUAL**

**MODEL: EFM480, EFM600  
SECTION: 68**



# **BUSH HOG®**

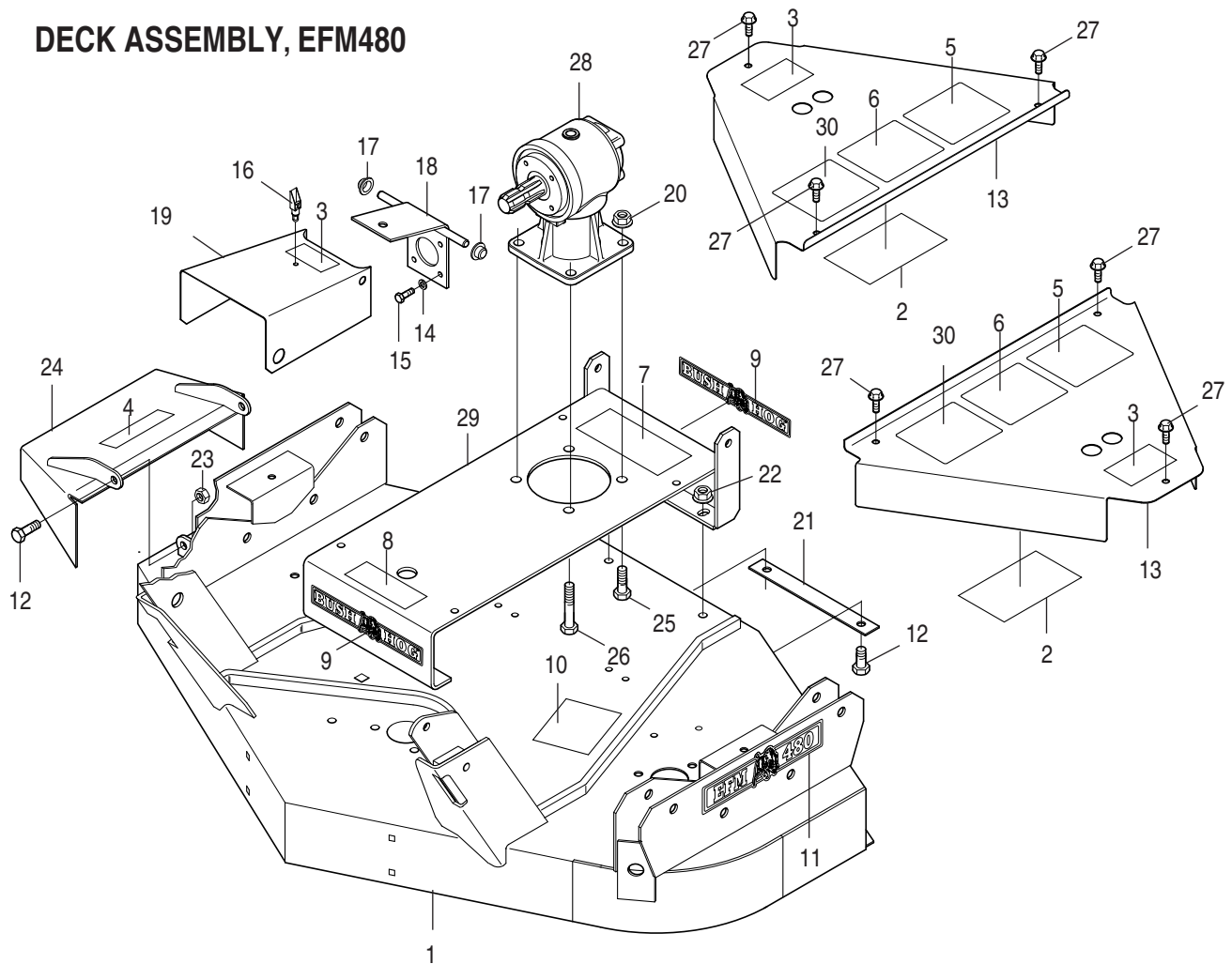
2501 Griffin Ave. • Selma, AL 36703  
(334) 872-6261 • (334) 874-2700  
Parts Ordering 1-800-304-2836  
Fax 1-800-572-1784  
[www.bushhog.com](http://www.bushhog.com)

# EFM480, EFM600

## ALPHABETICAL INDEX

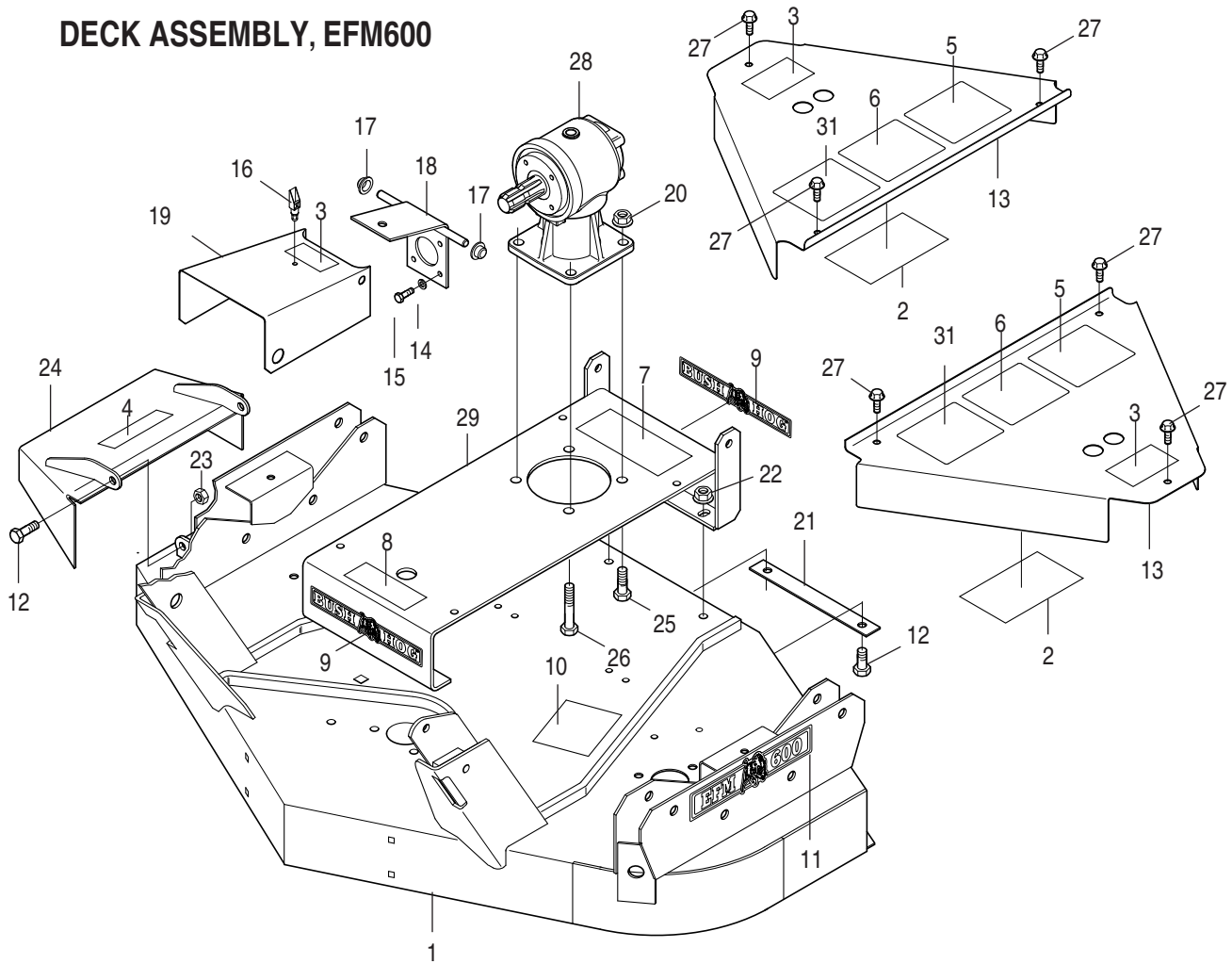
<b>CONTENTS</b>	<b>PAGE</b>
Deck Assembly .....	68-1-1
Belts .....	68-2-1, 68-2-2
Blades .....	68-2-1, 68-2-2
Caster Arm .....	68-5-2
Driveshaft Assembly .....	68-4-1
Gearbox Assembly .....	68-3-1, 68-3-2
Mast & Supports .....	68-5-1
Pulleys .....	68-2-1, 68-2-2
Roller Assemblies .....	68-5-3
Shields .....	68-1-1
Spindle Assembly .....	68-2-3
Wheel & Fork Assemblies .....	68-5-2

### DECK ASSEMBLY, EFM480

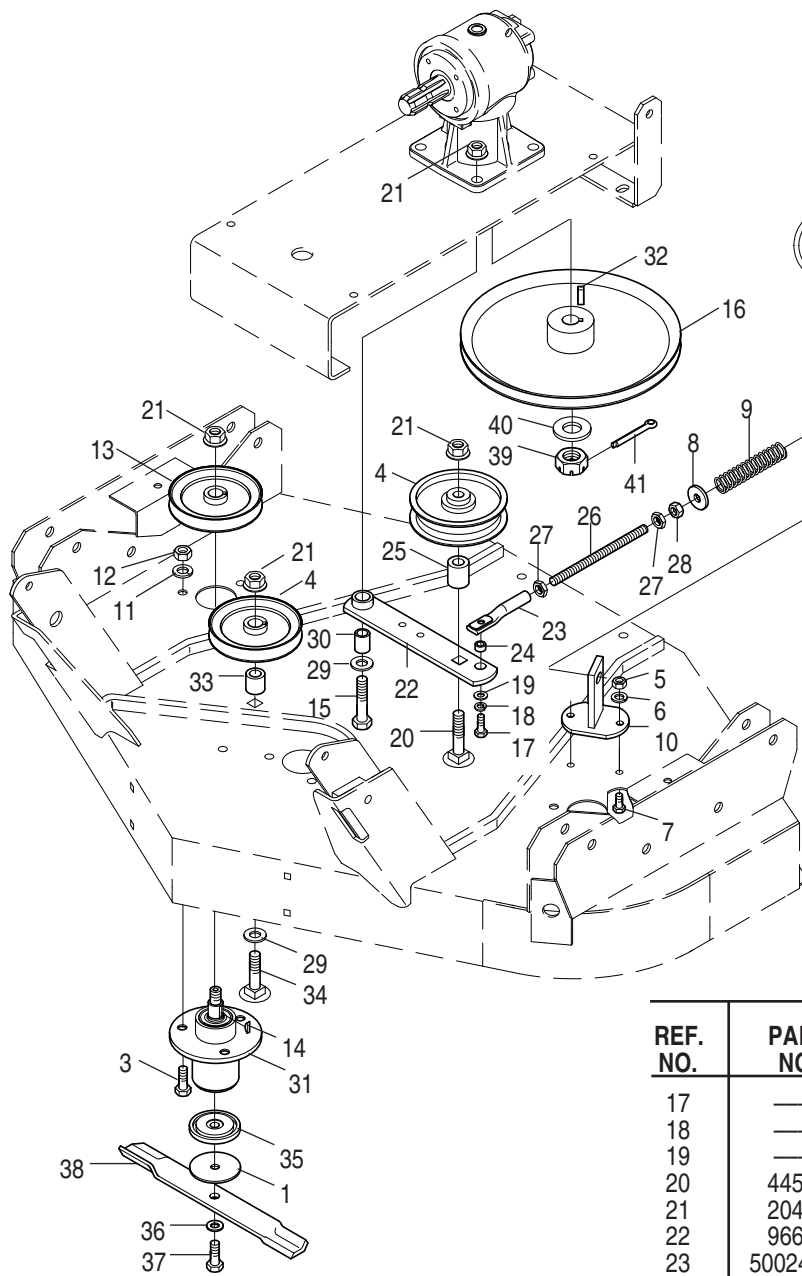


REF. NO.	PART NO.	QTY.	DESCRIPTION	REF. NO.	PART NO.	QTY.	DESCRIPTION
1	50056755	1	Deck Assembly, BH Red	16	98284	1	Swell Latch
	50056754	1	Deck Assembly, Kubota Orange	17	50014067	2	Cap
	50056753	1	Deck Assembly, JD Green	18	50031934	1	Base Weldment, Gearbox Shield
	50056752	1	Deck Assembly, NH Blue	19	98174	1	Gearbox Shield w/ Decals
2	50024617	2	Belt Installation Decal	20	20414	5	Flanged Locknut 5/8"
3	50012615	3	Warning Decal	21	50024350	1	Bolt Pad
4	83056	1	Warning Decal	22	19518	4	Flanged Locknut 1/2"
5	50042283	1	Warning Decal	23	15554	2	Locknut 1/2"
6	50042284	1	Warning Decal	24	50056763	1	Discharge Shield w/ Decal, Red
7	50042282	1	Danger Decal		50056762	1	Discharge Shield w/ Decal, Orange
8	50042281	1	Caution Decal, 540 RPM		50056761	1	Discharge Shield w/ Decal, Green
9	50055113	2	Bush Hog Decal		50056760	1	Discharge Shield w/ Decal, Blue
10	50012616	2	Danger Decal	25	—	3	Capscrew 5/8" x 1-3/4" Gr.5
11	50055119	2	Model Decal, EFM480	26	—	1	Capscrew 5/8" x 3"
12	44094	6	Capscrew 1/2" x 1-1/4"	27	86873	6	Capscrew 3/8" x 3/4"
13	50056759	2	Deck Shield, BH Red	28	50044135	1	Gearbox (See separate parts list)
	50056758	2	Deck Shield, Kub. Orange	29	50056767	1	Gearbox Mount w/ Decals, Red
	50056757	2	Deck Shield, JD Green		50056766	1	Gearbox Mount w/ Decals, Orange
	50056756	2	Deck Shield, NH Blue		50056765	1	Gearbox Mount w/ Decals, Green
14	—	4	Lockwasher 5/16"		50056764	1	Gearbox Mount w/ Decals, Blue
15	44215	4	Capscrew M8 x 1.25 x 15	30	50042285	1	Warning Decal

### DECK ASSEMBLY, EFM600



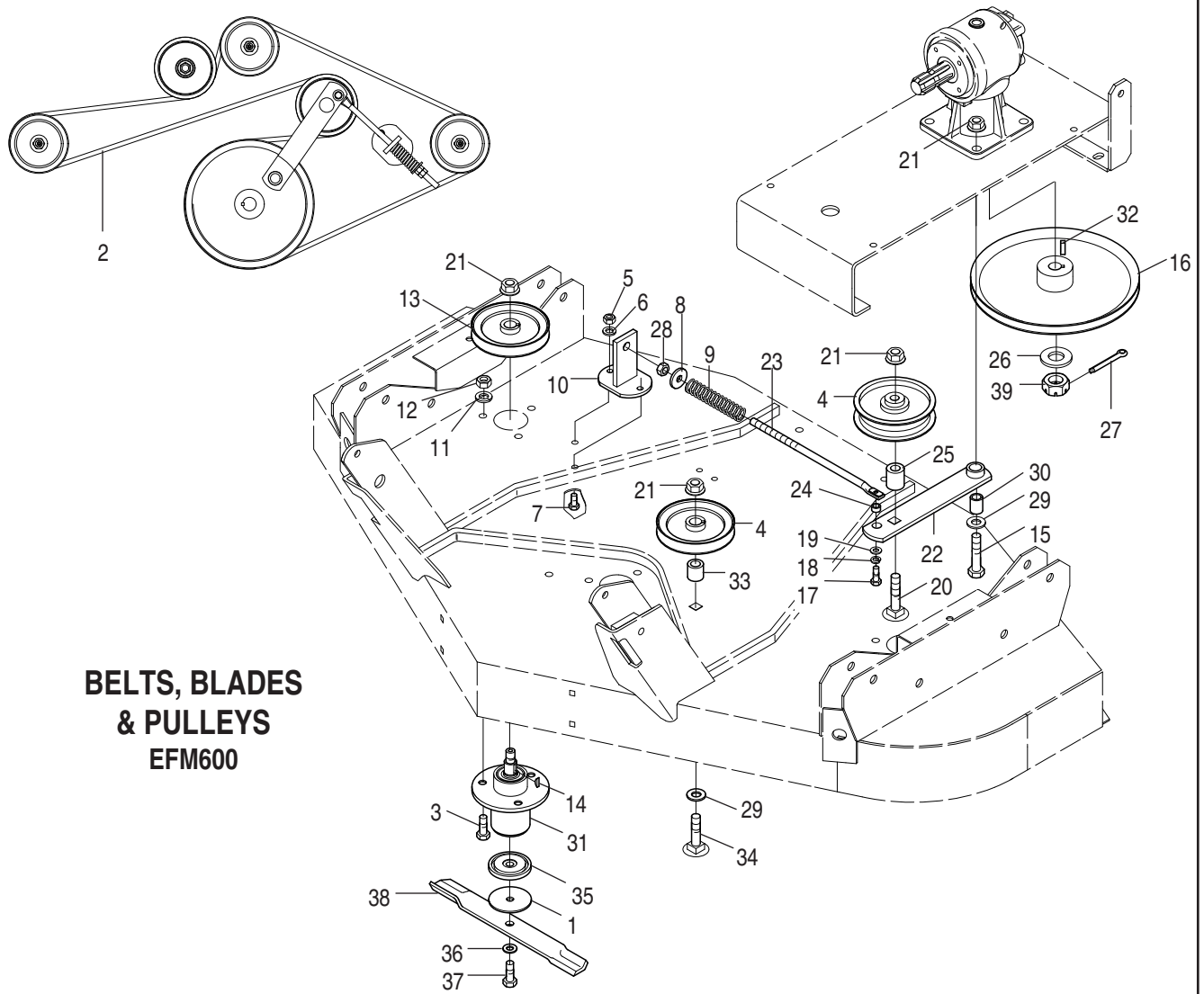
REF. NO.	PART NO.	QTY.	DESCRIPTION	REF. NO.	PART NO.	QTY.	DESCRIPTION
1	50056775	1	Deck Assembly, BH Red	16	98284	1	Swell Latch
	50056774	1	Deck Assembly, Kubota Orange	17	50014067	2	Cap
	50056773	1	Deck Assembly, JD Green	18	50031934	1	Base Weldment, Gearbox Shield
	50056772	1	Deck Assembly, NH Blue	19	98174	1	Gearbox Shield w/ Decals
2	50024617	2	Belt Installation Decal	20	20414	5	Flanged Locknut 5/8"
3	50012615	3	Warning Decal	21	50024350	1	Bolt Pad
4	83056	1	Warning Decal	22	19518	4	Flanged Locknut 1/2"
5	50042283	1	Warning Decal	23	15554	2	Locknut 1/2"
6	50042284	1	Warning Decal	24	50056763	1	Discharge Shield w/ Decal, Red
7	50042282	1	Danger Decal		50056762	1	Discharge Shield w/ Decal, Orange
8	50042281	1	Caution Decal, 540 RPM		50056761	1	Discharge Shield w/ Decal, Green
9	50055113	2	Bush Hog Decal		50056760	1	Discharge Shield w/ Decal, Blue
10	50012616	2	Danger Decal	25	—	3	Capscrew 5/8" x 1-3/4" Gr.5
11	50055120	2	Model Decal, EFM600	26	—	1	Capscrew 5/8" x 3"
12	44094	6	Capscrew 1/2" x 1-1/4"	27	86873	6	Capscrew 3/8" x 3/4"
13	50056779	2	Deck Shield, BH Red	28	50044135	1	Gearbox (See separate parts list)
	50056778	2	Deck Shield, Kub. Orange	29	50056767	1	Gearbox Mount w/ Decals, Red
	50056777	2	Deck Shield, JD Green		50056766	1	Gearbox Mount w/ Decals, Orange
	50056776	2	Deck Shield, NH Blue		50056765	1	Gearbox Mount w/ Decals, Green
14	—	4	Lockwasher 5/16"		50056764	1	Gearbox Mount w/ Decals, Blue
15	44215	4	Capscrew M8 x 1.25 x 15	30	50042285	1	Warning Decal



**BELTS, BLADES & PULLEYS  
EFM 480**

REF. NO.	PART NO.	QTY.	DESCRIPTION
1	97658	A/R	Spacer
2	50023377	1	Belt
3	—	9	Capscrew 1/2" x 1-1/2" Gr.5
4	88663	2	Idler
5	—	2	Hex Nut 3/8"
6	—	2	Lockwasher 3/8"
7	—	2	Capscrew 3/8" x 1"
8	—	1	Flatwasher 1/2"
9	95827	1	Spring
10	50021555	1	Pivot Mount Weldment
11	—	9	Lockwasher 1/2"
12	—	9	Hex Nut 1/2"
13	88756	3	Sheave 5.5"
14	88753	3	Woodruff Key #606
15	—	1	Capscrew 5/8" x 3"
16	50024108	1	Sheave, 13"

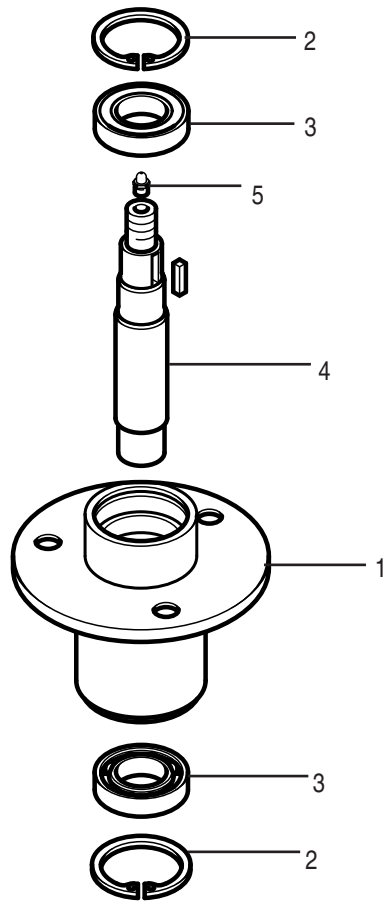
REF. NO.	PART NO.	QTY.	DESCRIPTION
17	—	1	Capscrew 3/8" x 1-1/4"
18	—	1	Lockwasher 3/8"
19	—	1	Flatwasher 3/8"
20	44518	1	Carriage Bolt 5/8" x 3-1/2"
21	20414	7	Flanged Locknut 5/8"
22	96649	1	Idler Arm Weldment
23	50024079	1	Push Rod End Weldment
24	95807	1	Bushing
25	50023098	1	Spacer 1.47"
26	96997	1	Threaded Rod
27	15519	2	Hex Jam Nut 1/2"
28	—	1	Hex Nut 1/2"
29	—	2	Flatwasher 5/8"
30	50017112	1	Pivot Sleeve
31	50051388	3	Spindle Assembly (See Parts Breakdown)
32	19455	1	Key 1/4" x 1/4" x 7/8"
33	50025547	1	Spacer, Idler
34	44356	1	Carriage Bolt 5/8" x 3-1/4"
35	88754	1	Blade Washer
36	44040	3	Safety Washer
37	44506	3	Capscrew 1/2" x 1-3/4" UNF Gr.8
38	82323	3	Blade, CW, 17"
	50029157	3	Mulching Blade, 17"
39	50025329	1	Castle Nut M24
40	70695	1	Washer
41	70699	1	Cotter Pin



**BELTS, BLADES  
& PULLEYS  
EFM600**

REF. NO.	PART NO.	QTY.	DESCRIPTION
1	97658	A/R	Spacer
2	50024216	1	Belt, 146"
3	—	9	Capscrew 1/2" x 1-1/2" Gr.5
4	88663	2	Idler
5	—	2	Hex Nut 3/8"
6	—	2	Lockwasher 3/8"
7	—	2	Capscrew 3/8" x 1"
8	—	1	Flatwasher 1/2"
9	95827	1	Spring
10	50021555	1	Pivot Mount Weldment
11	—	9	Lockwasher 1/2"
12	—	9	Hex Nut 1/2"
13	88756	3	Sheave 5.5"
14	88753	3	Woodruff Key #606
15	—	1	Capscrew 5/8" x 3"
16	50024107	1	Sheave, 12"
17	—	1	Capscrew 3/8" x 1-1/4"
18	—	1	Lockwasher 3/8"
19	—	1	Flatwasher 3/8"
20	44518	1	Carriage Bolt 5/8" x 3-1/2"

REF. NO.	PART NO.	QTY.	DESCRIPTION
21	20414	7	Flanged Locknut 5/8"
22	50024214	1	Idler Arm Weldment
23	50024081	1	Tension Rod Weldment
24	95807	1	Bushing
25	50023098	1	Spacer 1.47"
26	70695	1	Washer
27	70699	1	Cotter Pin
28	—	1	Hex Nut 1/2"
29	—	2	Flatwasher 5/8"
30	50017112	1	Pivot Sleeve
31	50051388	3	Spindle Assembly (See Parts Breakdown)
32	19455	1	Key 1/4" x 1/4" x 7/8"
33	50025547	1	Spacer, Idler
34	44356	1	Carriage Bolt 5/8" x 3-1/4"
35	88754	1	Blade Washer
36	44040	3	Safety Washer
37	44506	3	Capscrew 1/2" x 1-3/4" UNF Gr.8
38	82324	3	Blade, CW, 21"
	50029159	3	Mulching Blade, 21"
39	50025329	1	Castle Nut M24



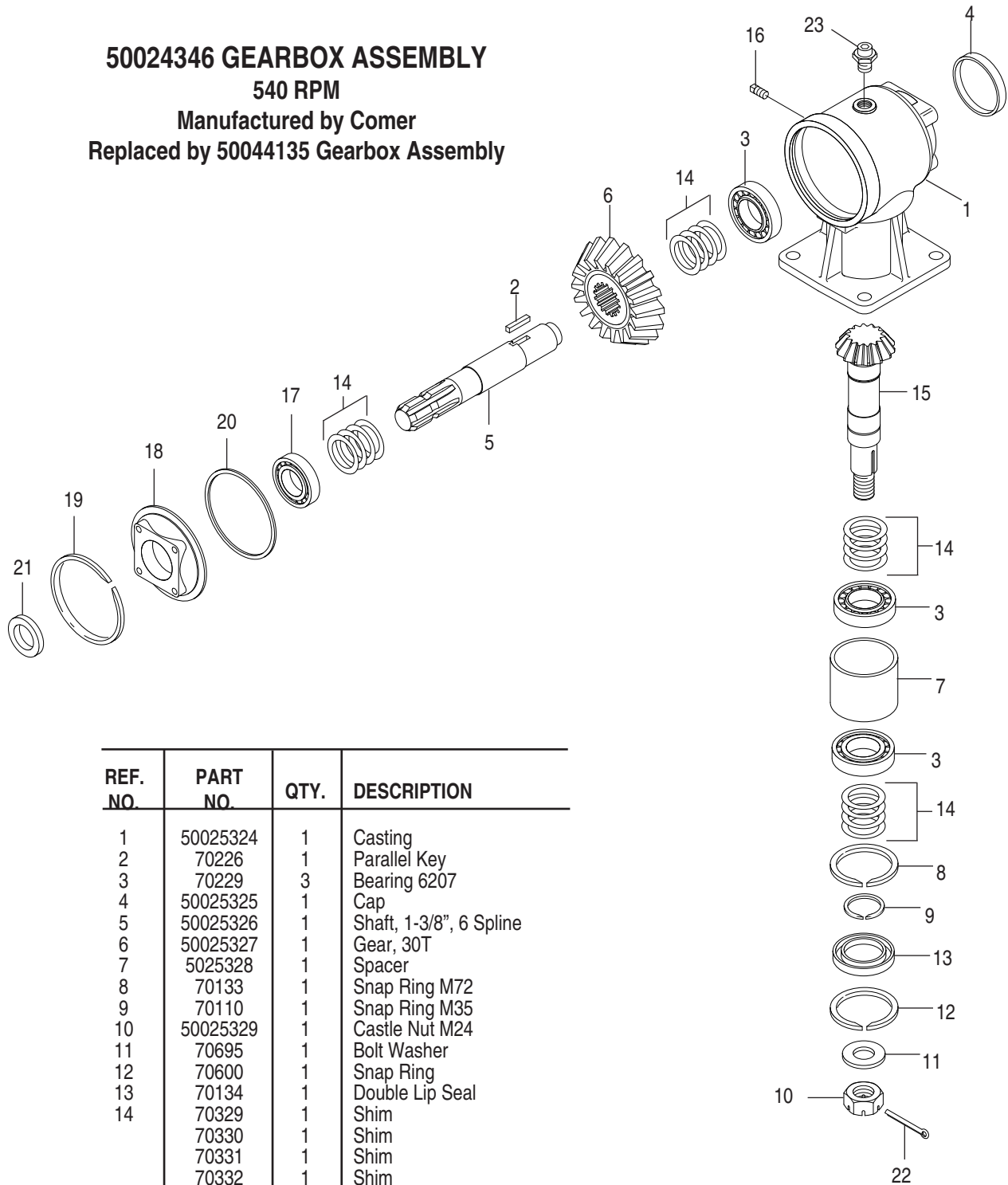
**50051388 SPINDLE ASSEMBLY**  
**EFM 480 & EFM 600**

REF. NO.	PART NO.	QTY.	DESCRIPTION
1	88751	1	Spindle Housing
2	97685	2	Retaining Ring
3	50072254	2	Bearing 25mm
4	50051387	1	Shaft
5	449BH	1	Grease Fitting



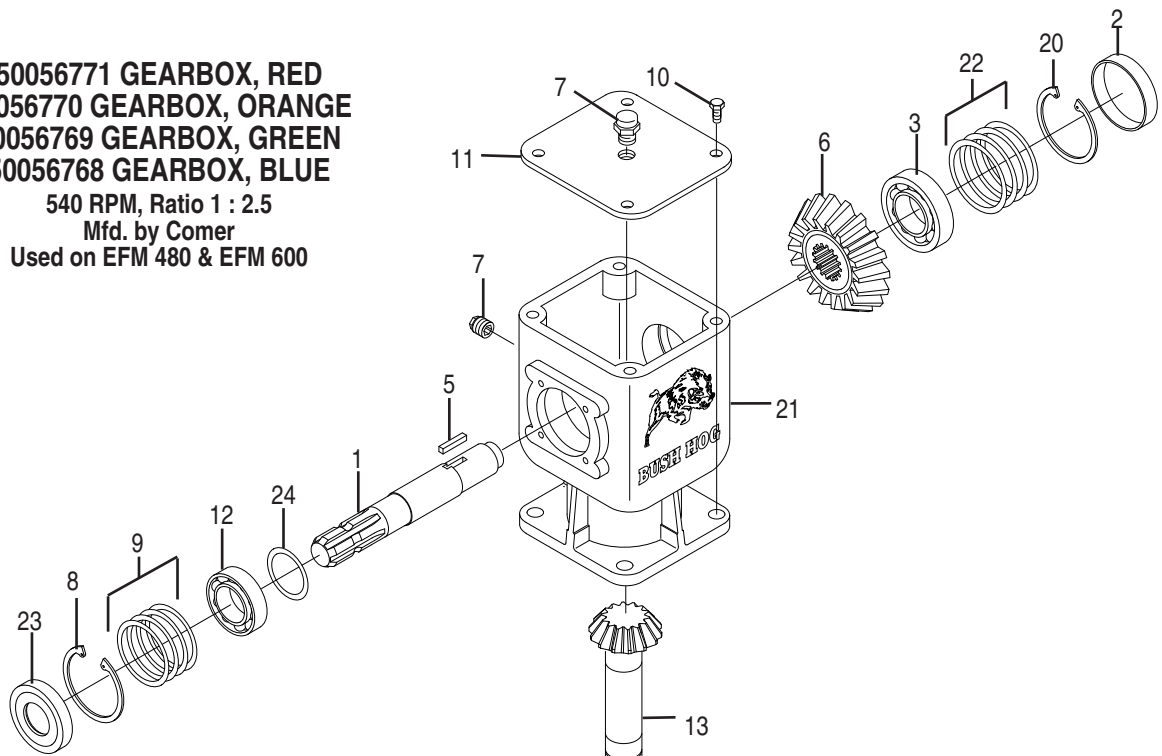


**50024346 GEARBOX ASSEMBLY**  
**540 RPM**  
 Manufactured by Comer  
 Replaced by 50044135 Gearbox Assembly

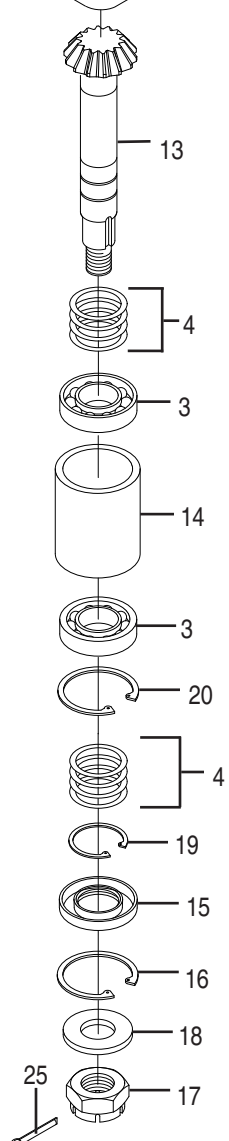


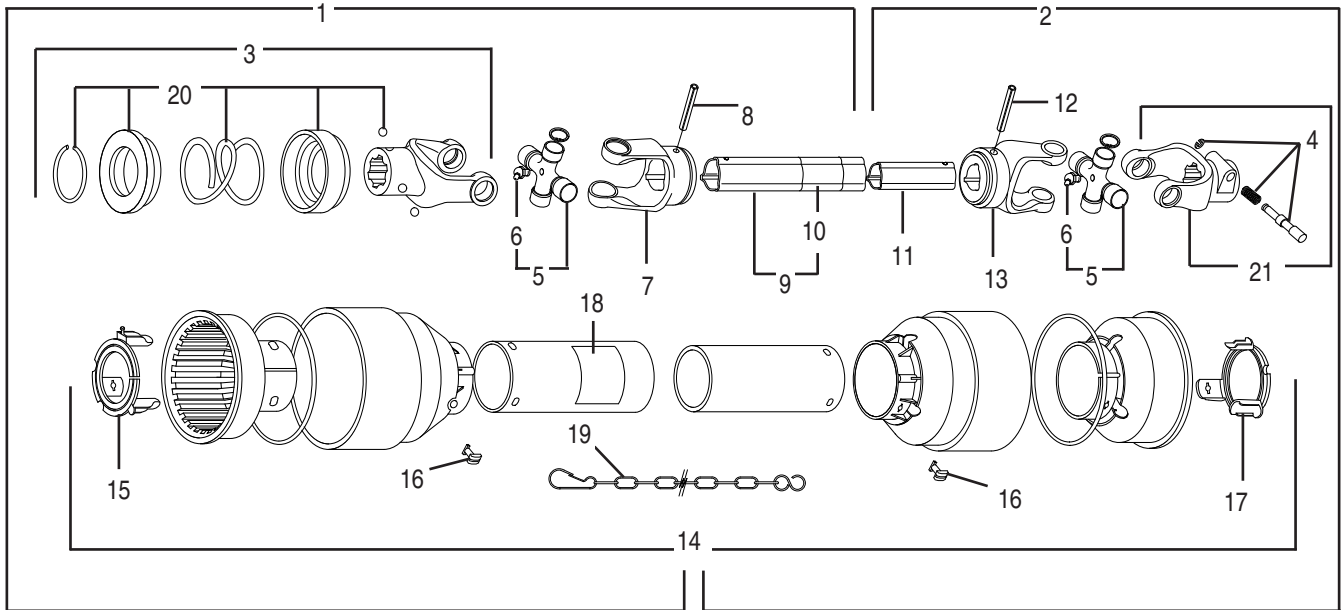
REF. NO.	PART NO.	QTY.	DESCRIPTION
1	50025324	1	Casting
2	70226	1	Parallel Key
3	70229	3	Bearing 6207
4	50025325	1	Cap
5	50025326	1	Shaft, 1-3/8", 6 Spline
6	50025327	1	Gear, 30T
7	5025328	1	Spacer
8	70133	1	Snap Ring M72
9	70110	1	Snap Ring M35
10	50025329	1	Castle Nut M24
11	70695	1	Bolt Washer
12	70600	1	Snap Ring
13	70134	1	Double Lip Seal
14	70329	1	Shim
	70330	1	Shim
	70331	1	Shim
	70332	1	Shim
15	50025330	1	Pinion Shaft, M3.8, 12 Spline
16	70292	1	Plug, 3/8"
17	70129	1	Bearing 6007
18	50025331	1	Cover
19	70696	1	Snap Ring
20	70700	1	O-Ring
21	70698	1	Oil Seal
22	70699	1	Cotter Pin
23	81572	1	Vent Plug

**50056771 GEARBOX, RED**  
**50056770 GEARBOX, ORANGE**  
**50056769 GEARBOX, GREEN**  
**50056768 GEARBOX, BLUE**  
 540 RPM, Ratio 1 : 2.5  
 Mfd. by Comer  
 Used on EFM 480 & EFM 600



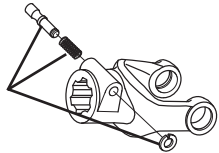
REF. NO.	PART NO.	QTY.	DESCRIPTION
1	50025326	1	Input Shaft 1-3/8" Z6
2	70279	1	Oil Cap
3	71453	3	Ball Bearing 3207
4	70329	2	Shim 35.3 x 48 x 0.3
	70330	2	Shim 35.3 x 48 x 0.4
	70331	2	Shim 35.3 x 48 x 0.5
	70332	2	Shim 35.3 x 48 x 1.3
5	70226	1	Parallel Key 10 x 8 x 30
6	50025327	1	Crown Gear Z30
7	70292	2	3/8" GAS Solid Plug
8	50044136	1	Snap Ring 62 x 65 x 3
9	70628	1	Shim 55.3 x 61.7 x 0.3
	70629	1	Shim 55.3 x 61.7 x 0.4
	70630	1	Shim 55.3 x 61.7 x 0.5
	70631	1	Shim 55.3 x 61.7 x 1.0
10	70618	4	Bolt M10 x 20
11	50044137	1	Cover
12	70129	1	Ball Bearing 6007
13	50025330	1	Output Pinion Z12
14	50025328	1	Spacer 64 x 70 x 59.7
15	70134	1	Double Lip Seal
16	70600	1	Snap Ring SB 72
17	50025329	1	Castle Nut M24
18	70695	1	Flatwasher 25 x 44 x 4
19	70110	1	Snap Ring 33 x 35 x 1.5
20	70133	2	Snap Ring 72 x 75 x 2.5
21	50044138	1	Casing
22	70639	1	Shim 60.3 x 71.7 x 0.3
	70640	1	Shim 60.3 x 71.7 x 0.4
	70641	1	Shim 60.3 x 71.7 x 0.5
	70642	1	Shim 60.3 x 71.7 x 1.0
23	50044139	1	Oil Seal
24	50044140	1	Spacer 35.1 x 51 x 5.5
25	70699	1	Cotter Pin



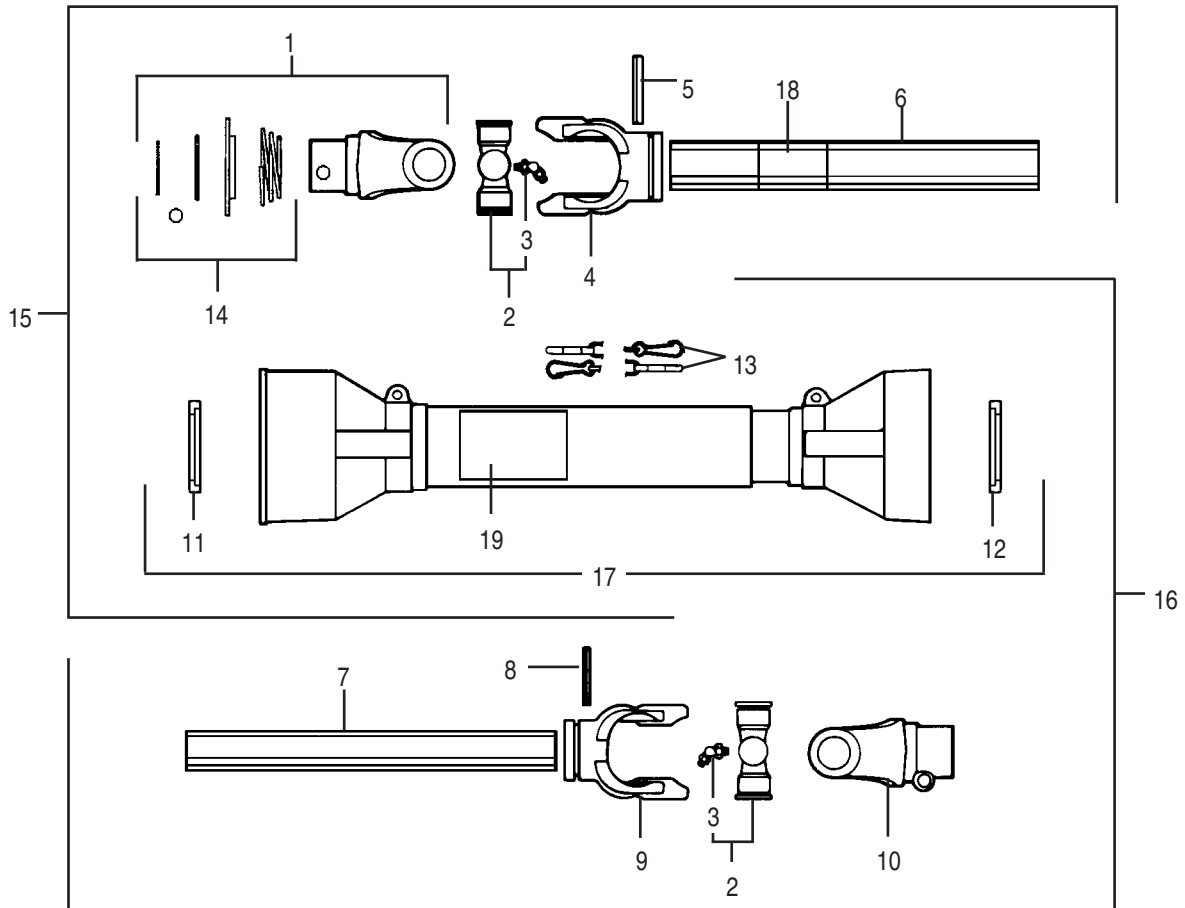


**7672 DRIVESHAFT ASSEMBLY**  
**540 RPM – 1-3/8” – 6 Spline Yoke**  
**(Mfd. by Comer/EG)**  
**Replaces 93050 Driveshaft**

REF. NO.	PART NO.	QTY.	DESCRIPTION
1	76808	1	Outer Half w/ Shield
2	76096	1	Inner Half w/ Shield
3	76711	2	Complete Collar Yoke
4	76062	1	Q.D. Pin Kit
5	64694	2	Cross Bearing Kit
6	63956	2	Grease Fitting
7	78571	1	Outer Yoke
8	78577	1	Roll Pin for Outer Yoke
9	82800	1	Outer Tube
10	78786	1	Danger Decal
11	82801	1	Inner Tube
12	78578	1	Roll Pin for Inner Yoke
13	78570	1	Inner Yoke
14	76146	1	Shield Assembly
15	76192	1	Outer Bearing
16	87992	6	Shield Bolt
17	76191	1	Inner Bearing
18	78608	1	Danger Decal
19	64814	2	Safety Chain
20	50017480	1	Ball Collar Kit 1-3/8”
21	76126	1	Push Pin Yoke

76062 Push Pin Set 

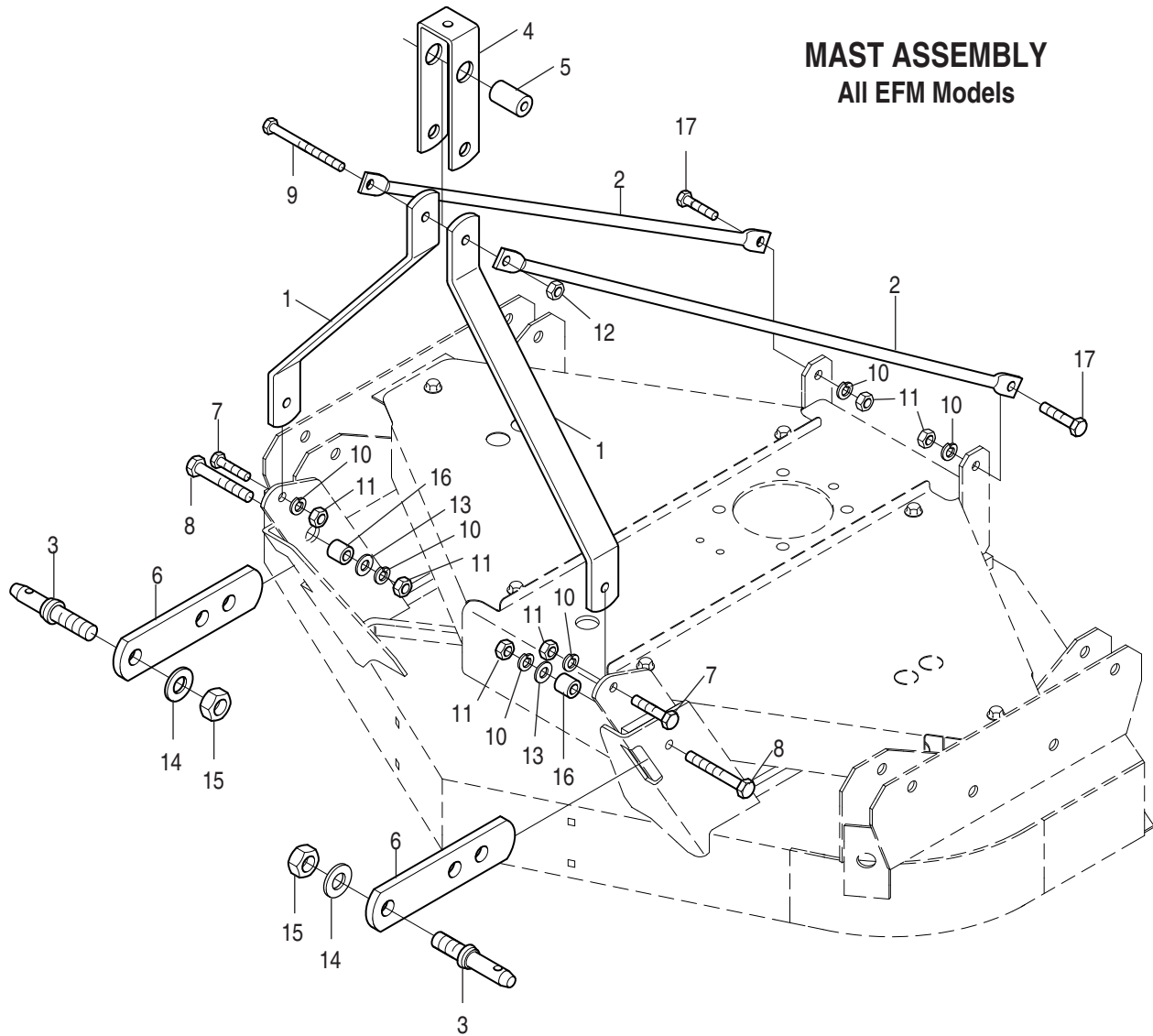
**Note:** Some early driveshafts were shipped with push pins on the tractor yoke end. Order 76062 push pin set to replace pin. Order 76711 for complete yoke replacement.



**50034246 DRIVESHAFT ASSEMBLY**  
**540 RPM, 1-3/8" – 6 spline, Mfd. by Binacchi**  
**Binacchi Size 4, ASAE Size 3**

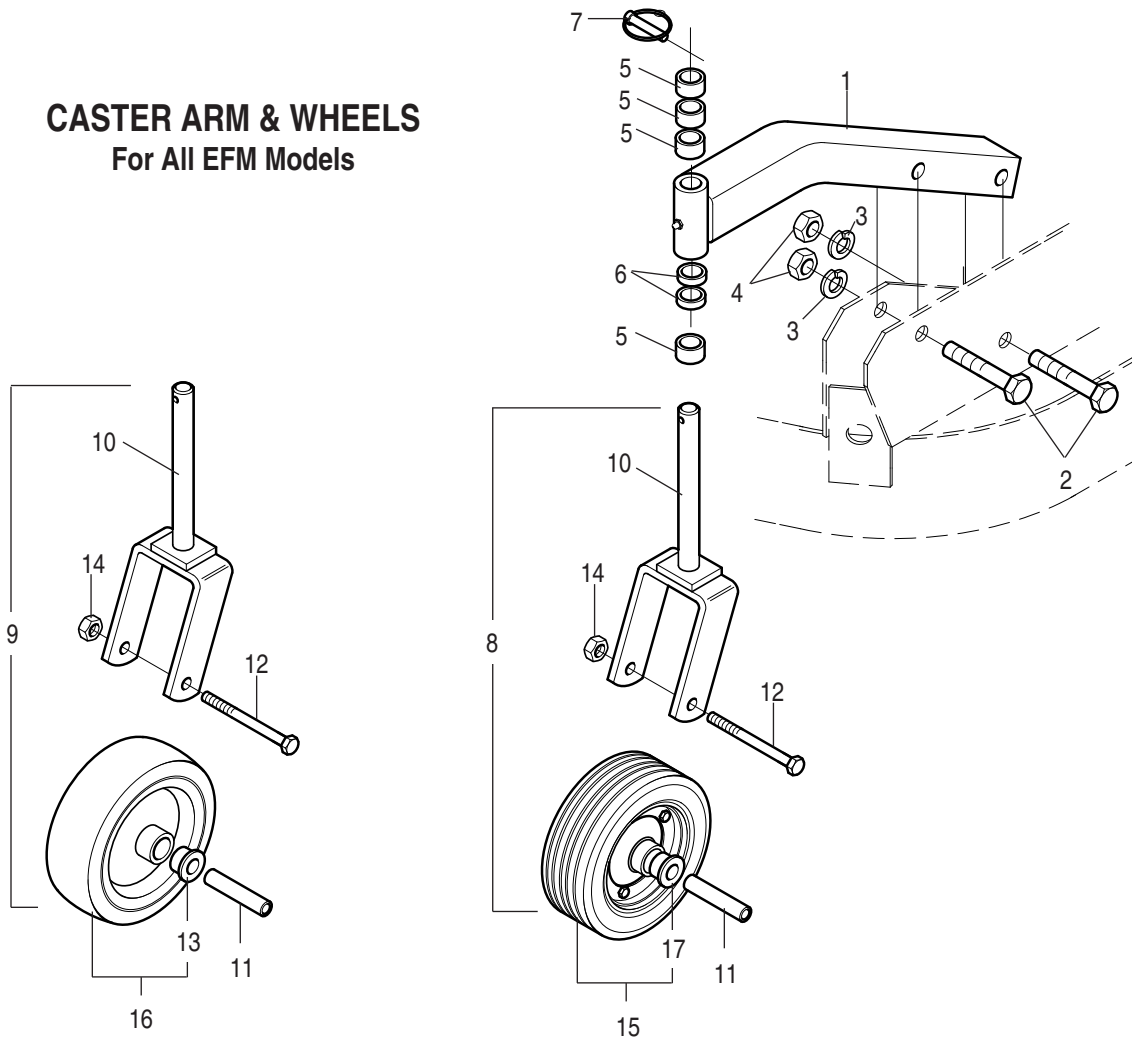
aREF. NO.	PART NO.	QTY.	DESCRIPTION
1	50035260	1	Complete Collar Yoke
2	64694	2	Cross Journal Set
3	63956	2	Grease Nipple
4	78571	1	Outer Tube Yoke
5	78577	1	Flexible Pin
6	82800	1	Outer Tube
7	82801	1	Inner Tube
8	78578	1	Flexible Pin
9	78570	1	Inner Tube Yoke
10	64692	1	Outer Yoke
11	90008	1	Outer Bearing
12	50042832	1	Inner Bearing
13	64814	2	Chain
14	50035261	1	Ball Collar Kit
15	50035268	1	Half Shaft, Outer
16	50035295	1	Half Shaft, Inner
17	90012	1	Safety Guard
18	78786	1	Danger Decal
19	78608	1	Danger Decal

### MAST ASSEMBLY All EFM Models

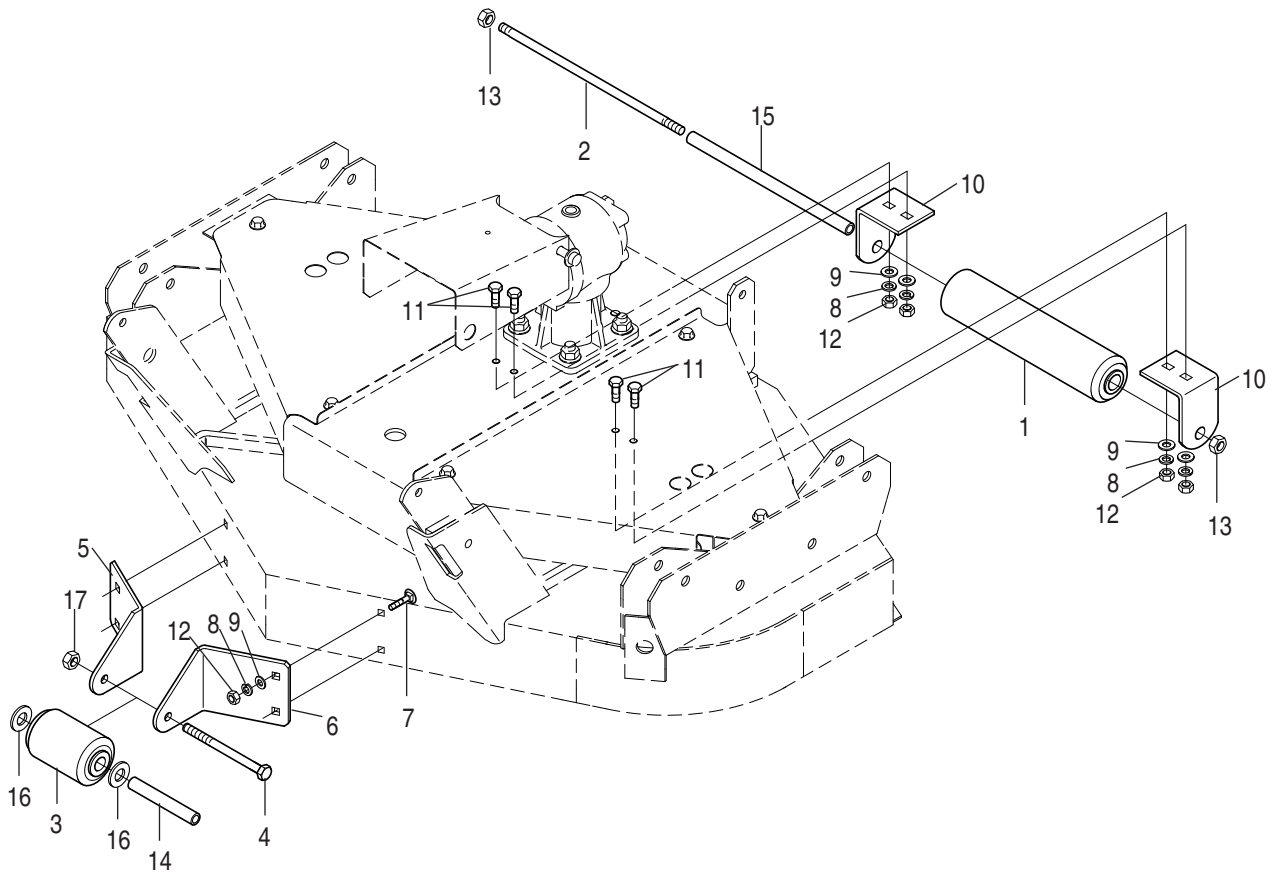


REF. NO.	PART NO.	QTY.	DESCRIPTION
1	50021554	2	Mast
2	50021365	2	Mast Support, EFM480
	50024217	2	Mast Support, EFM600
3	63765	2	Cat 1 Lift Pin
4	82815	1	Flex Link
5	82817	1	Pivot Tube
6	50021313	2	Lift Arm
7	—	2	Capscrew 1/2" x 1-1/2" Gr.5
8	—	2	Capscrew 1/2" x 2"
9	—	1	Capscrew 1/2" x 5"
10	—	6	Lockwasher 1/2"
11	—	6	Hex Nut 1/2"
12	—	1	Locknut 1/2"
13	—	2	Flatwasher 1/2"
14	15824	2	Lockwasher 7/8" CP
15	44061	2	Hex Nut 7/8" NF CP
16	88687	2	Spacer, Lift Arm
17	—	2	Capscrew 1/2" x 1-1/4"

### CASTER ARM & WHEELS For All EFM Models



REF. NO.	PART NO.	QTY.	DESCRIPTION
1	94933	4	Caster Arm Weldment
2	—	8	Capscrew 5/8" x 3-1/2" Gr. 5
3	—	8	Lockwasher 5/8"
4	—	8	Hex Nut 5/8"
5	84613	16	Spacer 1"
6	84612	8	Spacer 1/2"
7	20312	4	Lynch Pin
8	88683	4	Wheel & Fork Assembly (Solid Tire, Standard)
9	50024544	4	Wheel & Fork Assembly (Solid Tire, Economy)
10	88695	1	Fork
11	62574	1	Sleeve
12	—	1	Capscrew 1/2" x 5-1/2"
13	50024566	2	Bushing
14	15554	1	Locknut 1/2"
15	87750	1	Solid Tire Assembly, Standard
16	50024543	1	Solid Tire Assembly, Economy
17	50047025	2	Bushing



**ROLLER ASSEMBLY**  
All EFM Models

REF. NO.	PART NO.	QTY.	DESCRIPTION
1	95415	1	Roller Assembly (Rear)
2	50021173	1	Roller Shaft (Rear)
3	79057	1	Roller Assembly (Front)
4	20580	1	Capscrew 1/2" x 6-1/2"
5	50021168	1	Right Hand Roller Mount
6	50021169	1	Left Hand Roller Mount
7	5161212	4	Carriage Bolt 3/8" x 1-1/4" Gr.5
8	—	8	Lockwasher 3/8"
9	—	8	Flatwasher 3/8"
10	50021171	2	Roller Bracket
11	—	4	Capscrew 3/8" x 1-1/4"
12	—	4	Hex Nut 3/8"
13	9161600	2	Locknut 1/2"
14	50021170	1	Sleeve (Front)
15	50021172	1	Sleeve (Rear)
16	—	2	Flatwasher 3/4"
17	15554	1	Locknut 1/2"









**BUSH HOG<sup>®</sup>**

2501 Griffin Ave. • Selma, AL 36703  
(334) 872-6261 • (334) 874-2700  
Parts Ordering 1-800-304-2836  
Fax 1-800-572-1784  
[www.bushhog.com](http://www.bushhog.com)