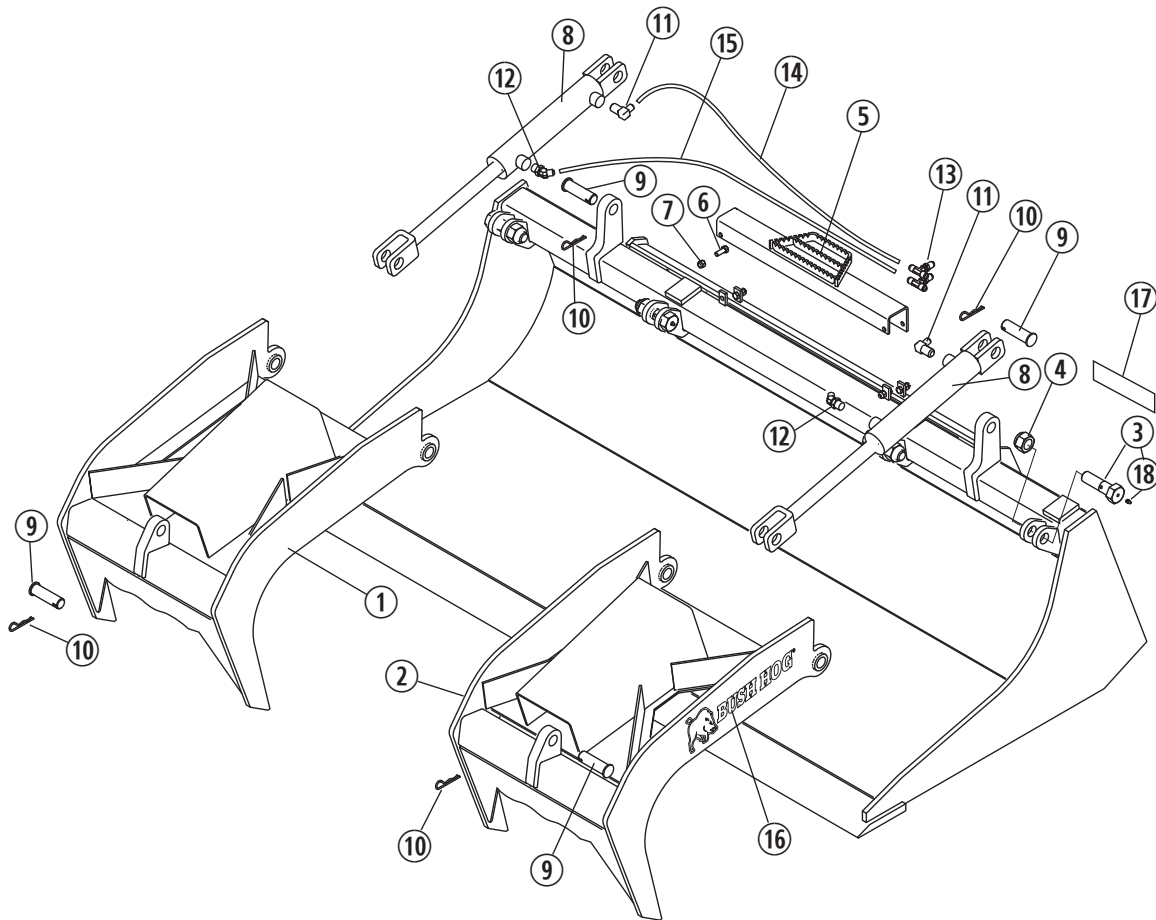


SKID STEER ATTACHMENTS

BGR BUCKET GRAPPLE SERIES

BGR72 and BGR84 MODELS without TEETH

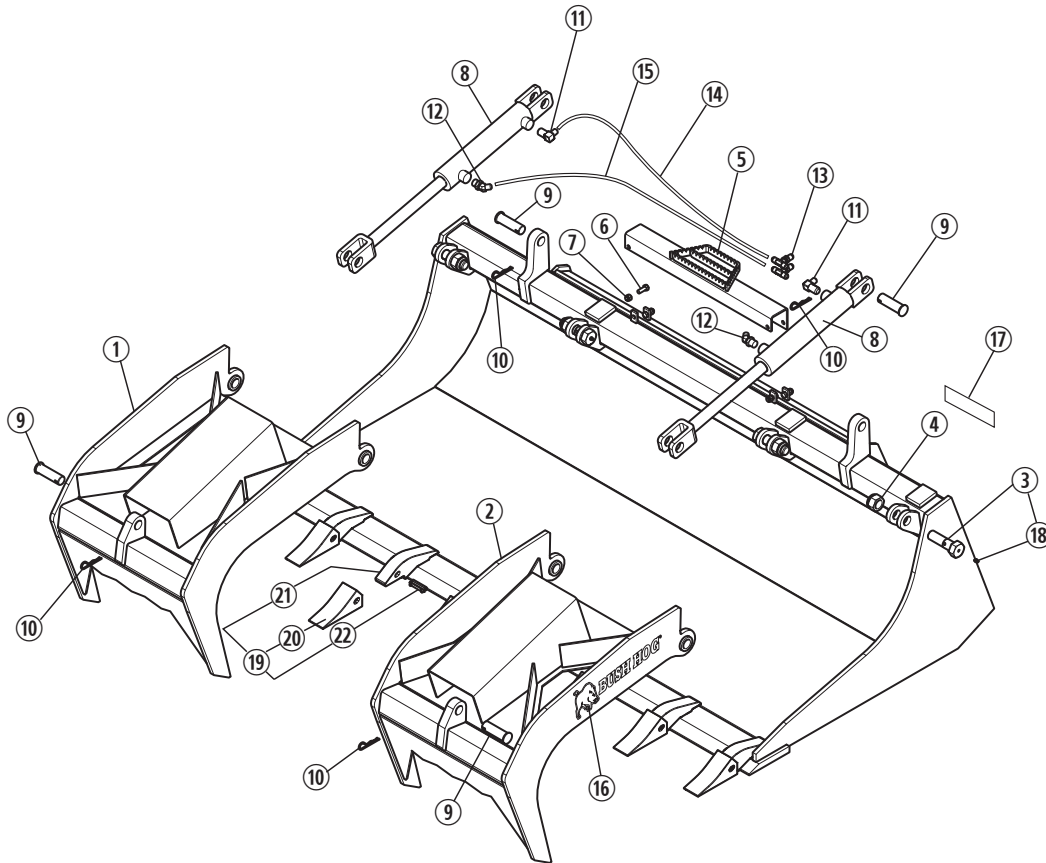


Ref. No.	Part No.	Description	Qty. Req'd.	Remarks
	BGR72	72" Bucket Grapple w/o Teeth	1	Order From Wholegoods
	BGR84	84" Bucket Grapple w/o Teeth	1	Order From Wholegoods
1	50075432	R.H. Grapple Arm Weldment	1	
2	50075433	L.H. Grapple Arm Weldment	1	
3	50075434	Capscrew 1" x 3-1/4" w/Grease Fitting	4	
4	50072278	Hex Nut 1" Nylock	4	
5	50075441	Hose Guard/Step Weldment	1	
6	20034	Capscrew 3/8" x 1" Gr.5	4	
7	44624BH	Hex Nut 3/8"	4	
8	50075436	Hydraulic Cylinder 8" Stroke	2	
9	99334	Pin 1" x 3-1/2"	4	
10	5005860	Cotter Hair Pin	4	
11	14-40-98	Elbow 90° 9/16 JIC to 3/4" ORB	2	
12	50066057	Elbow 45° 9/16 JIC to 3/4" ORB	2	
13	50075459	Tee 90° 9/16 JIC to 3/4" ORB	2	
14	50075437	Hose 1/4" - 23-1/4"- SAE 100R17	2	
15	50075438	Hose 1/4" - 33"- SAE 100R17	2	
16	50065309	Decal, Bush Hog Logo	2	
17	50100907	Warning Decal	1	
18	449BH	Grease Fitting	4	

SKID STEER ATTACHMENTS

BGR BUCKET GRAPPLE SERIES

BGR72T and BGR84T MODELS with TEETH

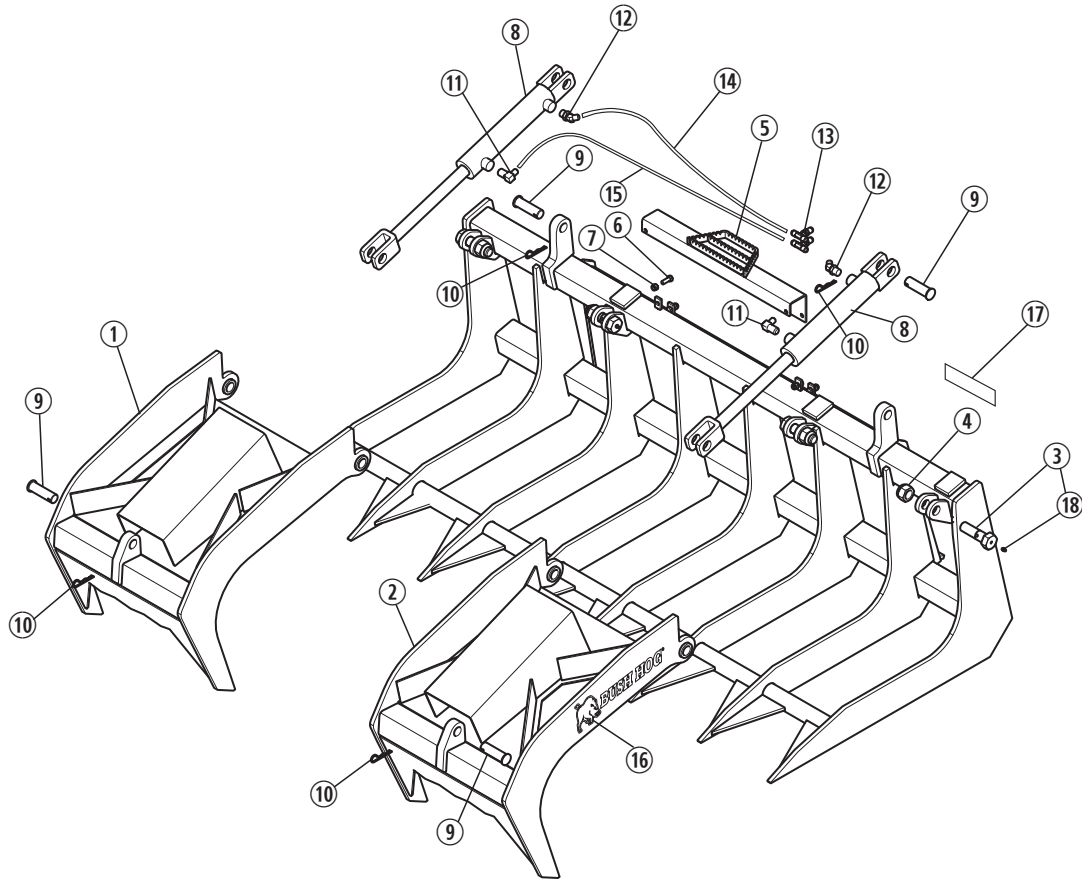


Ref. No.	Part No.	Description	Qty. Req'd.	Remarks
	BGR72T	72" Bucket Grapple w/Teeth	1	Order From Wholegoods
	BGR84T	84" Bucket Grapple w/Teeth	1	Order From Wholegoods
1	50075432	R.H. Grapple Arm Weldment	1	
2	50075433	L.H. Grapple Arm Weldment	1	
3	50075434	Capscrew 1" x 3-1/4" w/Grease Fitting	4	
4	50072278	Hex Nut 1" Nylock	4	
5	50075441	Hose Guard/Step Weldment	1	
6	20034	Capscrew 3/8" x 1" Gr.5	4	
7	44624BH	Hex Nut 3/8"	4	
8	50075436	Hydraulic Cylinder 8" Stroke	2	
9	99334	Pin 1" x 3-1/2"	4	
10	5005860	Cotter Hair Pin	4	
11	14-40-98	Elbow 90° 9/16 JIC to 3/4" ORB	2	
12	50066057	Elbow 45° 9/16 JIC to 3/4" ORB	2	
13	50075459	Tee 90° 9/16 JIC to 3/4" ORB	2	
14	50075437	Hose 1/4" - 23-1/4" - SAE 100R17	2	
15	50075438	Hose 1/4" - 33" - SAE 100R17	2	
16	50065309	Decal, Bush Hog Logo	2	
17	50100907	Warning Decal	1	
18	449BH	Grease Fitting	4	
19	50075382	Tooth Assembly, Weld-On	1	
20	50075380	Tooth Point	1	
21	50075381	Pin	1	
22	50075379	Shank, Weld-On	1	

SKID STEER ATTACHMENTS

BRGR BRUSH GRAPPLE SERIES

BRGR72 and BRGR84 MODELS



Ref. No.	Part No.	Description	Qty. Req'd.	Remarks
	BRGR72	72" Brush Grapple	1	Order From Wholegoods
	BRGR84	84" Brush Grapple	1	Order From Wholegoods
1	50075432	R.H. Grapple Arm Weldment	1	
2	50075433	L.H. Grapple Arm Weldment	1	
3	50075434	Capscrew 1" x 3-1/4" w/Grease Fitting	4	
4	50072278	Hex Nut 1" Nylock	4	
5	50075435	Hose Guard/Step Weldment, Black	1	
6	20034	Capscrew 3/8" x 1" Gr.5	4	
7	44624BH	Hex Nut 3/8"	4	
8	50075436	Hydraulic Cylinder 8" Stroke	2	
9	99334	Pin 1" x 3-1/2"	4	
10	5005860	Cotter Hair Pin	4	
11	14-40-98	Elbow 90° 9/16 JIC to 3/4" ORB	2	
12	50066057	Elbow 45° 9/16 JIC to 3/4" ORB	2	
13	50075459	Tee 90° 9/16 JIC to 3/4" ORB	2	
14	50075437	Hose 1/4" - 23-1/4"- SAE 100R17	2	
15	50075438	Hose 1/4" - 33"- SAE 100R17	2	
16	50065309	Decal, Bush Hog Logo	2	
17	50100907	Warning Decal	1	
18	449BH	Grease Fitting	4	