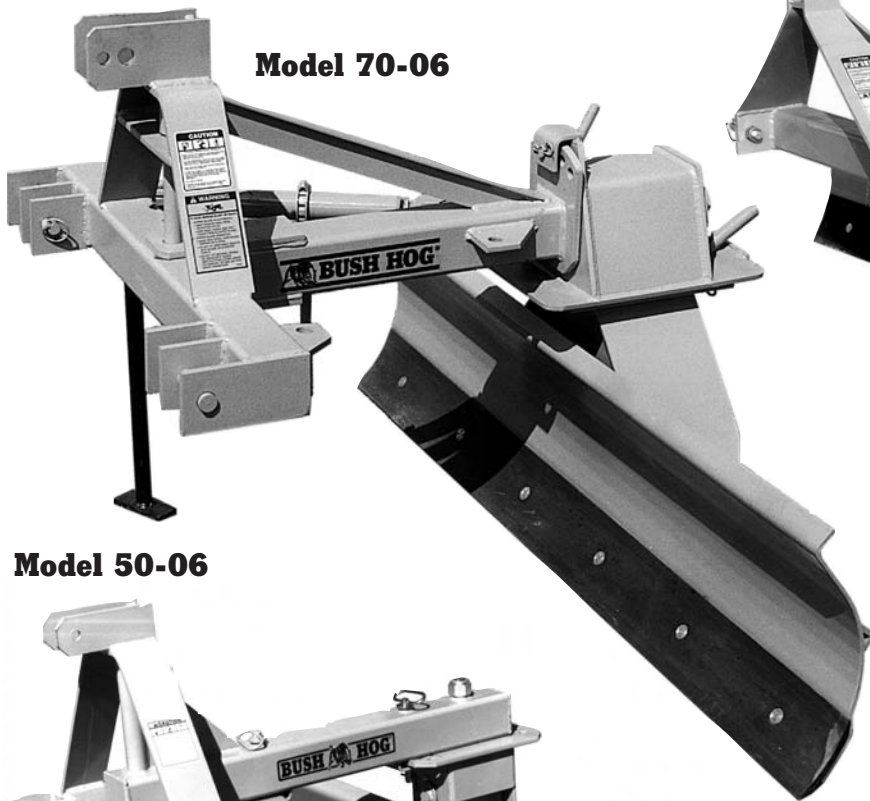


BUSH HOG®

SERIES 35, 50 & 70 Rear Mounted Blades Operator's Manual



Model 70-06



Model 35-06

Model 50-06



BUSH HOG®
Performance You Can Count On™

ASSEMBLY ● OPERATION ● MAINTENANCE

CONGRATULATIONS!

You have invested in the best implement of its type on the market today.

The care you give your Bush Hog implement will greatly determine your satisfaction with its performance and its service life. We urge a careful study of this manual to provide you with a thorough understanding of your new implement before operating, as well as suggestions for operation and maintenance.

If your manual should become lost or destroyed, Bush Hog will be glad to provide you with a new copy. Order from Bush Hog, P. O. Box 1039, Selma, Alabama 36702-1039. Most of our manuals can also be downloaded from our website at www.bushhog.com.

As an authorized Bush Hog dealer, we stock genuine Bush Hog parts which are manufactured with the same precision and skill as our original equipment. Our trained service personnel are well informed on methods required to service Bush Hog equipment, and are ready and able to help you.

Should you require additional information or assistance, please contact us.

YOUR AUTHORIZED
BUSH HOG DEALER

BECAUSE BUSH HOG MAINTAINS AN ONGOING PROGRAM OF PRODUCT IMPROVEMENT, WE RESERVE THE RIGHT TO MAKE IMPROVEMENTS IN DESIGN OR CHANGES IN SPECIFICATIONS WITHOUT INCURRING ANY OBLIGATION TO INSTALL THEM ON UNITS PREVIOUSLY SOLD.

BECAUSE OF THE POSSIBILITY THAT SOME PHOTOGRAPHS IN THIS MANUAL WERE TAKEN OF PROTOTYPE MODELS, PRODUCTION MODELS MAY VARY IN SOME DETAIL. IN ADDITION, SOME PHOTOGRAPHS MAY SHOW SHIELDS REMOVED FOR PURPOSES OF CLARITY. **NEVER OPERATE** THIS IMPLEMENT WITHOUT ALL SHIELDS IN PLACE.

BUSH HOG

SERIES 35, 50 & 70 REAR MOUNTED BLADES Operator's Manual

TABLE OF CONTENTS

SECTION	PAGE
Warranty	2
Dealer Preparation Check List	3
Safety Precautions	4
Federal Laws and Regulations	5
I 70 SERIES OPERATION	6
Specifications	6
II 70 SERIES ASSEMBLY	7
III MAINTENANCE	8
IV 50 SERIES OPERATION	9
Specifications	9
V 50 SERIES ASSEMBLY	10
VI 35 SERIES OPERATION	10
Specifications	10
V 35 SERIES ASSEMBLY	10
Safety Decals	12
Torque Specifications	13

RETAIL CUSTOMER'S RESPONSIBILITY UNDER THE BUSH HOG WARRANTY

It is the Retail Customer and/or Operator's responsibility to read the Operator's Manual, to operate, lubricate, maintain and store the product in accordance with all instructions and safety procedures. Failure of the operator to read the Operator's Manual is a misuse of this equipment.

It is the Retail Customer and/or Operator's responsibility to inspect the product and to have any part(s) repaired or replaced when continued operation would cause damage or excessive wear to other parts or cause a safety hazard.

It is the Retail Customer's responsibility to deliver the product to the authorized Bush Hog Dealer, from whom he purchased it, for service or replacement of defective parts which are covered by warranty. Repairs to be submitted for warranty consideration must be made within forty-five (45) days of failure.

It is the Retail Customer's responsibility for any cost incurred by the Dealer for traveling to or hauling of the product for the purpose of performing a warranty obligation or inspection.



BUSH HOG[®]
Performance You Can Count OnSM

LIMITED WARRANTY



Bush Hog warrants to the original purchaser of any new Bush Hog equipment, purchased from an authorized Bush Hog dealer, that the equipment be free from defects in material and workmanship for a period of one (1) year for non-commercial, state, and municipalities' use and ninety (90) days for commercial use from date of retail sale. The obligation of Bush Hog to the purchaser under this warranty is limited to the repair or replacement of defective parts.

Replacement or repair parts installed in the equipment covered by this limited warranty are warranted for ninety (90) days from the date of purchase of such part or to the expiration of the applicable new equipment warranty period, whichever occurs later. Warranted parts shall be provided at no cost to the user at an authorized Bush Hog dealer during regular working hours. Bush Hog reserves the right to inspect any equipment or parts which are claimed to have been defective in material or workmanship.

DISCLAIMER OF IMPLIED WARRANTIES & CONSEQUENTIAL DAMAGES

Bush Hog's obligation under this limited warranty, to the extent allowed by law, is in lieu of all warranties, implied or expressed, **INCLUDING IMPLIED WARRANTIES OF MERCHANTABILITY AND FITNESS FOR A PARTICULAR PURPOSE** and any liability for incidental and consequential damages with respect to the sale or use of the items warranted. Such incidental and consequential damages shall include but not be limited to: transportation charges other than normal freight charges; cost of installation other than cost approved by Bush Hog; duty; taxes; charges for normal service or adjustment; loss of crops or any other loss of income; rental of substitute equipment, expenses due to loss, damage, detention or delay in the delivery of equipment or parts resulting from acts beyond the control of Bush Hog.

THIS LIMITED WARRANTY SHALL NOT APPLY:

1. To vendor items which carry their own warranties, such as engines, tires, and tubes.
2. If the unit has been subjected to misapplication, abuse, misuse, negligence, fire or other accident.
3. If parts not made or supplied by Bush Hog have been used in connection with the unit, if, in the sole judgement of Bush Hog such use affects its performance, stability or reliability.
4. If the unit has been altered or repaired outside of an authorized Bush Hog dealership in a manner which, in the sole judgement of Bush Hog, affects its performance, stability or reliability.
5. To normal maintenance service and normal replacement items such as gearbox lubricant, hydraulic fluid, worn blades, or to normal deterioration of such things as belts and exterior finish due to use or exposure.
6. To expendable or wear items such as teeth, chains, sprockets, belts, springs and any other items that in the company's sole judgement is a wear item.

NO EMPLOYEE OR REPRESENTATIVE OF BUSH HOG IS AUTHORIZED TO CHANGE THIS LIMITED WARRANTY IN ANY WAY OR GRANT ANY OTHER WARRANTY UNLESS SUCH CHANGE IS MADE IN WRITING AND SIGNED BY BUSH HOG'S SERVICE MANAGER, POST OFFICE BOX 1039, SELMA, ALABAMA 36702-1039.



Record the model number, serial number and date purchased. This information will be helpful to your dealer if parts or service are required.

MODEL NUMBER _____

SERIAL NUMBER _____

MAKE CERTAIN THE WARRANTY REGISTRATION CARD HAS BEEN FILED WITH BUSH HOG/
SELMA, ALABAMA

DATE OF RETAIL SALE _____

DEALER PREPARATION CHECK LIST

35, 50 & 70 SERIES BLADES

BEFORE DELIVERING MACHINE — The following check list should be completed.
Use the Operator's Manual as a guide.

- 1. Assembly completed.
- 2. All fittings lubricated.
- 3. All fasteners torqued to specifications given in Torque Chart
- 4. All decals in place and readable. (See decal page.)
- 5. Overall condition good (i.e. paint, welds)
- 6. Operators manual has been delivered to owner and he has been instructed on the safe and proper use of the blade.

Dealer's
Signature _____

Purchaser's
Signature _____

THIS CHECKLIST TO REMAIN IN OWNER'S MANUAL
It is the responsibility of the dealer to complete the procedures listed
above before delivery of this implement to the customer.

IMPORTANT SAFETY PRECAUTIONS

This symbol is used to call attention to safety precautions that should be followed by the operator to avoid accidents. When you see this symbol, carefully read the message that follows and heed its advice. Failure to comply with safety precautions could result in serious bodily injury.



In addition to the design and configuration of equipment, hazard control and accident prevention are dependent upon the awareness, concern, prudence and proper training of personnel in the operation, transport, maintenance and storage of equipment. Lack of attention to safety can result in accident, personal injury, reduction of efficiency and worst of all—loss of life. Watch for safety hazards and correct deficiencies promptly. Use the following safety precautions as a general guide to safe operations when using this machine. Additional safety precautions are used throughout this manual for specific operating and maintenance procedures. Read this manual and review the safety precautions often until you know the limitations.

1. Read the Operator's Manual. Failure to read the Operator's Manual is considered a misuse of this equipment.
2. Become familiar with all the machine's controls and all the caution, warning and danger decals affixed to the machine before attempting to start or operate.
3. Before starting or operating the machine, make a walk around inspection and check for obvious defects such as loose mounting bolts and damaged components. Correct any deficiency before starting.
4. Do not allow children to operate the implement. Do not allow adults to operate it without proper instruction.
5. Do not carry passengers.
6. Keep the area of operation clear of all persons, particularly small children and pets. The operator should cease operation whenever anyone comes within the operating area.
7. Use a piece of cardboard or wood rather than hands to search for hydraulic leaks. Escaping hydraulic oil under pressure can penetrate skin. If fluid is injected into the skin, it must be surgically removed within a few hours by a doctor familiar with this form of injury or gangrene may result.
8. Lower implement to ground, stop tractor engine and apply parking brake before leaving the tractor.
9. Keep hands and feet away from cutting edge.
10. Wear personal protective equipment such as, but not limited to, protection for eyes, ears, feet, hands and head when operating or repairing the equipment. Do not wear loose clothing or jewelry that may catch on equipment moving parts.
11. When performing adjustments or maintenance on the blade, first lower it to the ground or block it securely at a workable height.
12. Never stand between tractor and implement while tractor is being backed to the hitch.
13. Reduce speed when transporting implement to avoid bouncing and momentary loss of steering.
14. Use tractor flashing warning lights, day or night, when transporting cutter on road or highways unless prohibited by law.
15. It is recommended that tractor be equipped with Rollover Protective System (ROPS) and seat belt be used in all implement operations.

IMPORTANT FEDERAL LAWS AND REGULATIONS* CONCERNING EMPLOYERS, EMPLOYEES AND OPERATIONS.

*(This section is intended to explain in broad terms the concept and effect of the following federal laws and regulations. It is not intended as a legal interpretation of the laws and should not be considered as such).

U.S. Public Law 91-596 (The Williams-Steiger Occupational and Health Act of 1970) OSHA

This Act Seeks:

"...to assure so far as possible every working man and woman in the nation safe and healthful working conditions and to preserve our human resources..."

DUTIES

Sec. 5 (a) Each employer—

- (1) shall furnish to each of his employees employment and a place of employment which are free from recognized hazards that are causing or are likely to cause death or serious physical harm to his employees;
- (2) shall comply with occupational safety and health standards promulgated under this Act.
 - (b) Each employee shall comply with occupational safety and health standards and all rules, regulations and orders issued pursuant to this Act which are applicable to his own actions and conduct.

OSHA Regulations

Current OSHA regulations state in part: "At the time of initial assignment and at least annually thereafter, the employer shall instruct every employee in the safe operation and servicing of all equipment with which the employee is, or will be involved." These will include (but are not limited to) instructions to:

Keep all guards in place when the machine is in operation;

Permit no riders on equipment;

Stop engine, disconnect the power source, and wait for all machine movement to stop before servicing, adjusting, cleaning or unclogging the equipment, except where the machine must be running to be properly serviced or maintained, in which case the employer shall instruct employees as to all steps and procedures which are necessary to safely service or maintain the equipment.

Make sure everyone is clear of machinery before starting the engine, engaging power, or operating the machine.

EMPLOYEE TRACTOR OPERATING INSTRUCTIONS:

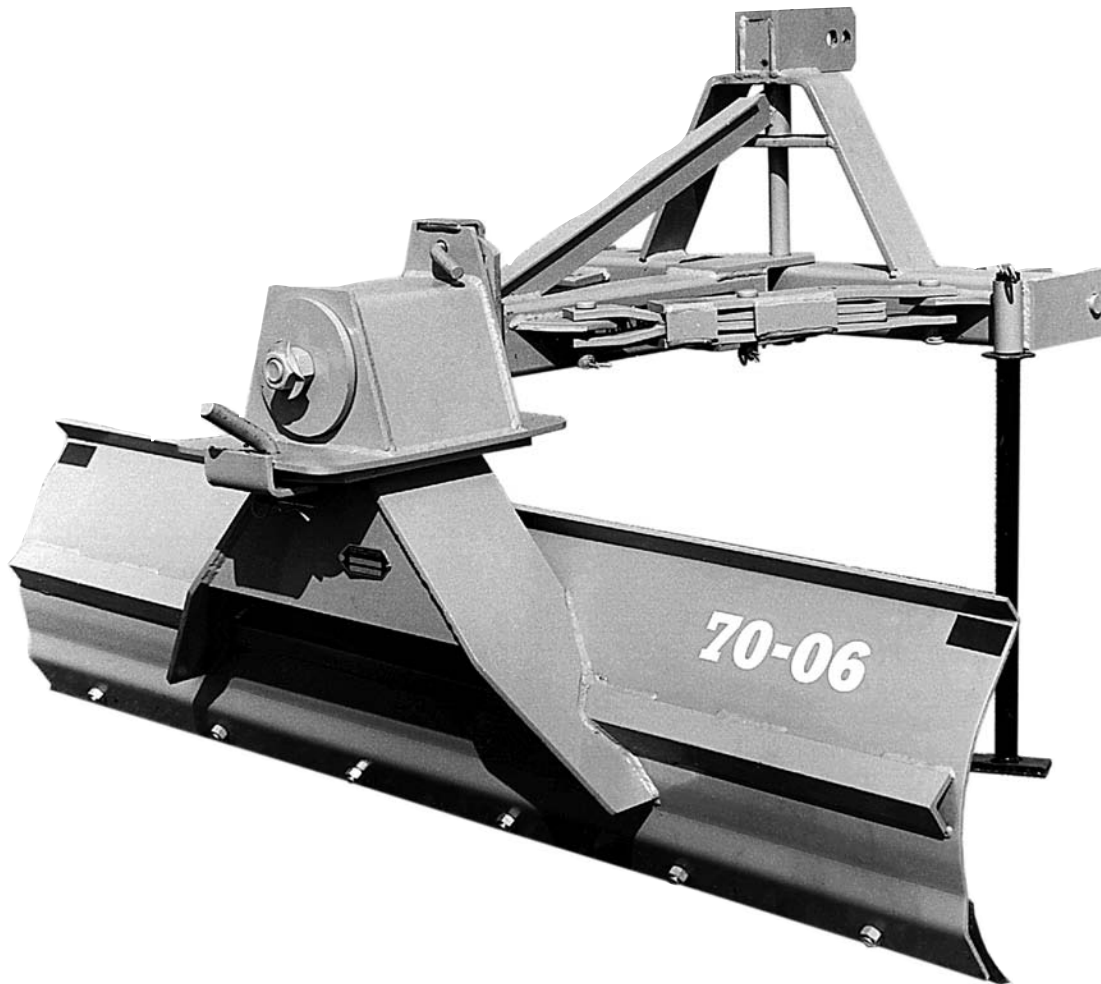
1. Securely fasten your seat belt if the tractor has a ROPS.
2. Where possible, avoid operating the tractor near ditches, embankments, and holes.
3. Reduce speed when turning, crossing slopes, and on rough, slick, or muddy surfaces.
4. Stay off slopes too steep for safe operation.
5. Watch where you are going, especially at row ends, on roads, and around trees.
6. Do not permit others to ride.
7. Operate the tractor smoothly - no jerky turns, starts, or stops.
8. Hitch only to the drawbar and hitch points recommended by tractor manufacturers.
9. When tractor is stopped, set brakes securely and use park lock if available.

Child Labor Under 16 Years Old

Some regulations specify that no one under the age of 16 may operate power machinery. It is your responsibility to know what these regulations are in your own area or situation. (Refer to U.S. Dept. of Labor, Employment Standard Administration, Wage & Home Division, Child Labor Bulletin #102.)

SECTION I

70 SERIES OPERATION



STANDARD EQUIPMENT & SPECIFICATIONS

Approx. Weight:510 lbs. (6')
	538 lbs. (7')
	572 lbs. (8')
Maximum Tractor HP70 HP
Hitch:3 Point Category I & II
Moldboard Width:6', 7', and 8'
	Height & Thickness: 18" x 5/16"
	Cutting Edge:1/2" x 6" Reversible
King Pin Diameter:1-1/4" (Grade 8)
Adjustments:	
	Tilt:4 position up to 30° Right or Left
	Offset:up to 45° Right or Left
	Angle:5 Fwd positions up to 45° 5 Rev. positions up to 45°
	Moldboard Rotation360°

ATTACHING TO TRACTOR

The blade should be placed on level ground.

Place the tractor rockshaft control in "position control" (non-floating) for attaching and detaching the rear mounted blade. "Draft control" or "position control" can be used while operating.

Back the tractor until the ends of the lift arms can be attached to the lift points on the implement. Secure the lift arms to the mast with pins and presto pins provided.

Attach the center link to the top of the mast and adjust so that the blade will be level in the operating position

DETACHING FROM TRACTOR

Lower the blade to the ground with rockshaft control in position control. Remove top link from mast, discon-

nect hitch arms from bottom pins and pull tractor away from blade.

⚠ CAUTION

USE OPTIONAL JACKSATND, OR OTHER SUITABLE MATERIAL TO SUPPORT AND PREVENT MAST BOOM END FROM FALLING WHEN DETACHING BLADE. KEEP BODY, HANDS AND FEET CLEAR OF IMPLEMENT.

FIELD ADJUSTMENTS

ANGLING - The design of these blades permits the cutting edge to be angled for both forward and backward operation. To change the angle remove the angle index pin from the frame. Blade can then be rotated to the desired position and the index pin replaced.

OFFSET - Offsetting the blade can be accomplished by the use of a pin jack which has adjustment holes for different positions, or a ratchet jack, which gives infinite adjustment, or a hydraulic cylinder. Lugs are provided on both sides of the boom so that it may be positioned to either the right or left side.

TILT - The blade may be tilted left or right by removing the tilt index pin and moving the blade to the desired position. Replace the pin in appropriate hole.

⚠ WARNING

DURING BLADE ADJUSTMENT

- KEEP BODY, HANDS AND FEET CLEAR OF BLADE.
- KEEP FINGERS CLEAR OF HOLES.

The pitch of the blade may be adjusted by lengthening or shortening the top link on the tractor 3-point lift.

OPERATION - Care should be exercised during use of the blade to prevent hanging the ends on immovable objects or otherwise use the implement under conditions beyond its designed capacity. Back fills may be made by reversing the moldboard and pushing instead of pulling.

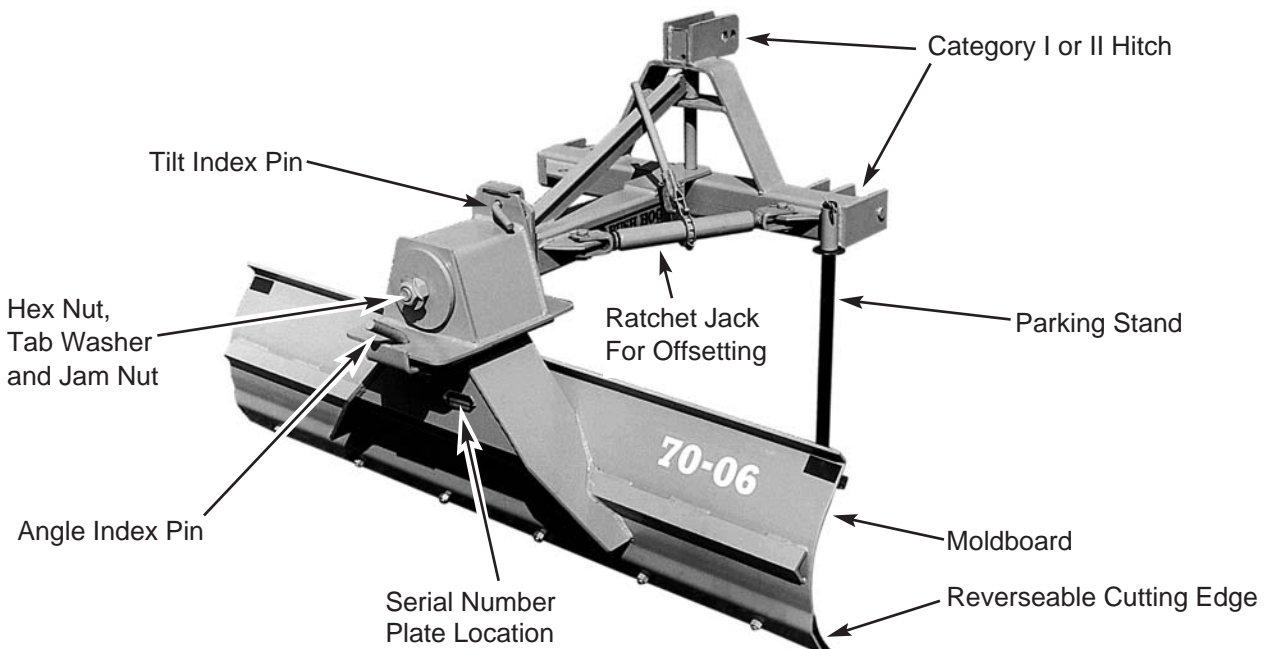
⚠ CAUTION

WHEN EQUIPMENT IS TRANSPORTED, USE NECESSARY DEVICES REQUIRED BY LOCAL REGULATIONS FOR ADEQUATE WARNING TO OPERATORS OF OTHER VEHICLES.

⚠ CAUTION

ADDITIONAL TRACTOR FRONT BALLAST MAY BE NEEDED FOR STABLE OPERATION AND TRANSPORT OF IMPLEMENT. SEE TRACTOR OPERATOR'S MANUAL FOR RECOMMENDED WEIGHTS. IT IS RECOMMENDED THAT TRACTOR BE EQUIPPED WITH ROLLOVER PROTECTIVE SYSTEM (ROPS).

SECTION II ASSEMBLY



nect hitch arms from bottom pins and pull tractor away from blade.

⚠ CAUTION

USE OPTIONAL JACKS AND, OR OTHER SUITABLE MATERIAL TO SUPPORT AND PREVENT MAST BOOM END FROM FALLING WHEN DETACHING BLADE. KEEP BODY, HANDS AND FEET CLEAR OF IMPLEMENT.

FIELD ADJUSTMENTS

ANGLING - The design of these blades permits the cutting edge to be angled for both forward and backward operation. To change the angle remove the angle index pin from the frame. Blade can then be rotated to the desired position and the index pin replaced.

OFFSET - Offsetting the blade can be accomplished by the use of a pin jack which has adjustment holes for different positions, or a ratchet jack, which gives infinite adjustment, or a hydraulic cylinder. Lugs are provided on both sides of the boom so that it may be positioned to either the right or left side.

TILT - The blade may be tilted left or right by removing the tilt index pin and moving the blade to the desired position. Replace the pin in appropriate hole.

⚠ WARNING

DURING BLADE ADJUSTMENT

- KEEP BODY, HANDS AND FEET CLEAR OF BLADE.
- KEEP FINGERS CLEAR OF HOLES.

The pitch of the blade may be adjusted by lengthening or shortening the top link on the tractor 3-point lift.

OPERATION - Care should be exercised during use of the blade to prevent hanging the ends on immovable objects or otherwise use the implement under conditions beyond its designed capacity. Back fills may be made by reversing the moldboard and pushing instead of pulling.

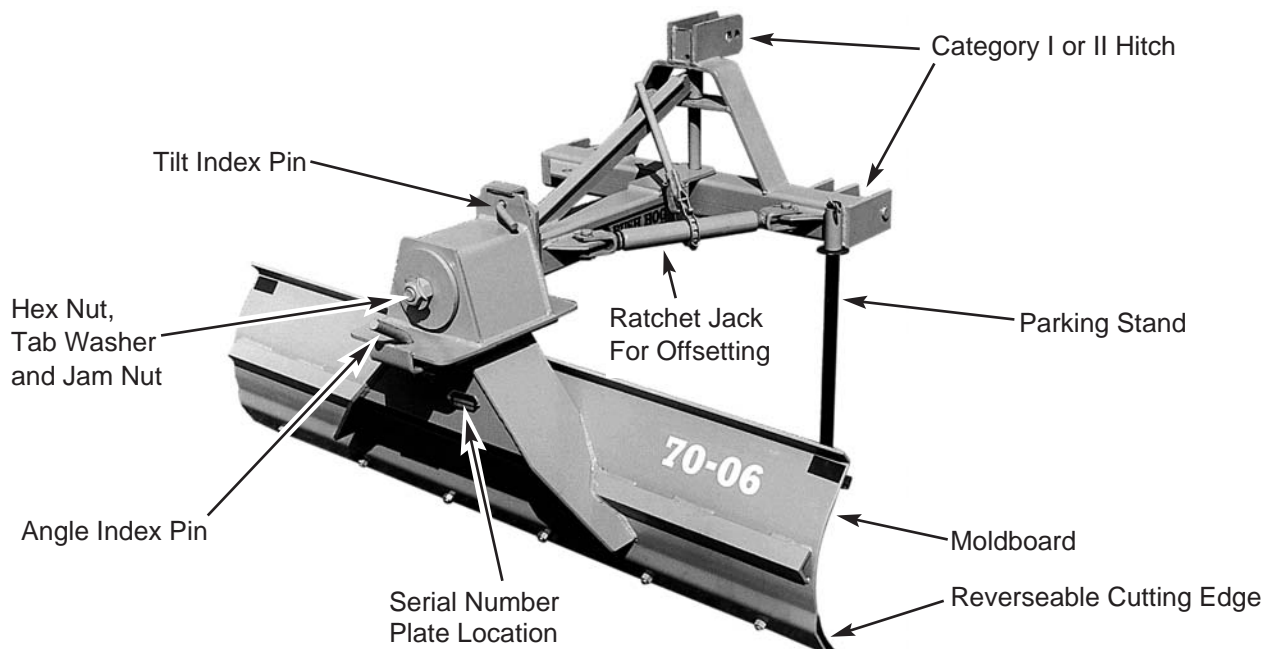
⚠ CAUTION

WHEN EQUIPMENT IS TRANSPORTED, USE NECESSARY DEVICES REQUIRED BY LOCAL REGULATIONS FOR ADEQUATE WARNING TO OPERATORS OF OTHER VEHICLES.

⚠ CAUTION

ADDITIONAL TRACTOR FRONT BALLAST MAY BE NEEDED FOR STABLE OPERATION AND TRANSPORT OF IMPLEMENT. SEE TRACTOR OPERATOR'S MANUAL FOR RECOMMENDED WEIGHTS. IT IS RECOMMENDED THAT TRACTOR BE EQUIPPED WITH ROLLOVER PROTECTIVE SYSTEM (ROPS).

SECTION II ASSEMBLY



⚠ CAUTION

INSURE THAT MOLDBOARD IS SECURELY SUPPORTED DURING ASSEMBLY TO PREVENT IT FROM FALLING ONTO FEET, HANDS OR BODY.

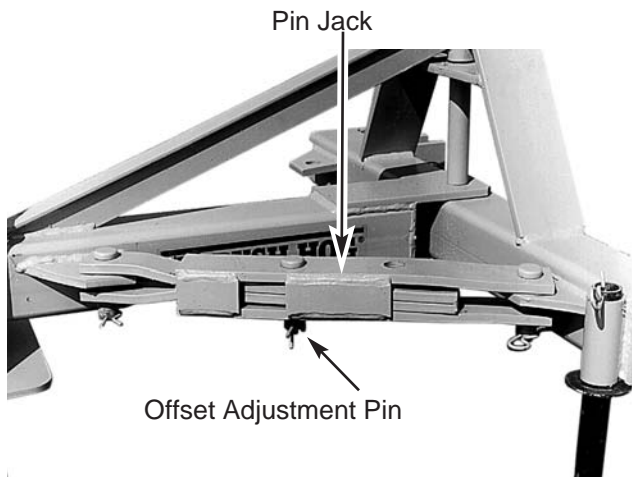
Support moldboard in operating position.

Attach the frame to tractor 3-point hitch and assemble the offsetting link (pin jack, ratchet jack or hydraulic cylinder) between the mast and the main beam

Insert the main beam extension through the moldboard mount frame. Place cover plate over threaded extension and against rear of mount. Install 1-1/4" hex nut onto threaded extension and tighten securely. Place tab washer over threaded extension followed by the 1-1/4" jam nut.

While holding the inner nut, securely tighten the jam nut against the tab washer. Bend one side of the washer over the inner nut and the opposite side of the washer over the outer nut. This will secure the assembly during operation.

Place index pins in desired positions and fasten with presto pins.



SECTION III MAINTENANCE

Keep all nuts and bolts tight. Refer to Torque Chart for correct torque.

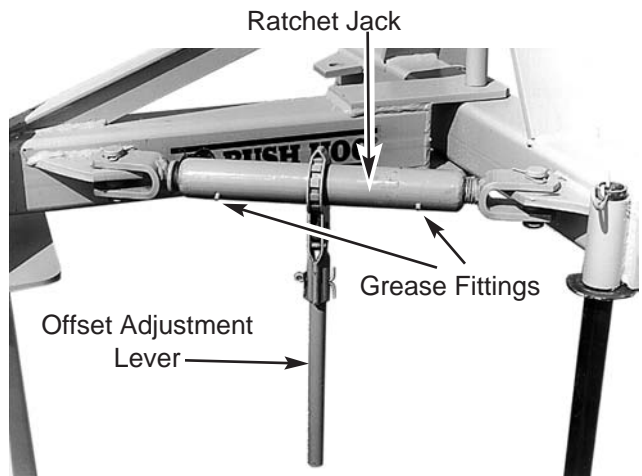
Store the blade out of the weather when it is not in use. This prevents rusting of the moldboard and other components.

Inspect your blade periodically and replace any worn or broken parts in order to have your implement ready for use when needed.

Inspect hydraulic lines and fittings for wear or leaks. Repair or replace if needed.

LUBRICATION - Lubricate the two grease fittings on the ratchet jack every 50 hours with a multipurpose grease. Lubricate the pivot pin at the front of the boom through its exposed grease fitting at the same intervals.

Remove and apply a liberal coat of multipurpose grease to all other pins before operating and every 150 hours thereafter.

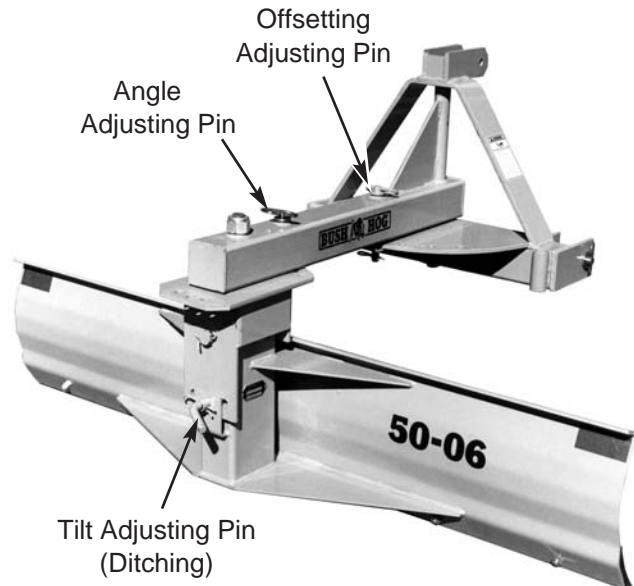


SECTION IV

50 SERIES OPERATION

STANDARD EQUIPMENT & SPECIFICATIONS

Approx. Weight:403 lbs. (6')
	430 lbs. (7')
Maximum Tractor HP50 HP
Hitch:3 Point Category I
Moldboard Width:6' and 7'
	Height & Thickness: 15-7/8" x 1/4"
	Cutting Edge:1/2" x 6" Reversible
King Pin Diameter:1-1/4" (Grade 8)
Adjustments:	
Tilt:15° Up or Down
Offset:0°, 15°, 30°, 45° Lft. or
Rt.	
Angle:5 Fwd. positions up to 30°
	3 Rev. positions up to



ATTACHING TO TRACTOR

The blade should be placed on level ground.

Place the tractor rockshaft control in "position control" (non-floating) for attaching and detaching the rear mounted blade. "Draft control" or "position control" can be used while operating.

Back the tractor until the ends of the lift arms can be attached to the lift points on the implement. Secure the lift arms to the mast with pins and presto pins provided.

Attach the center link to the top of the mast and adjust so that the blade will be level in the operating position.

DETACHING FROM TRACTOR

Lower the blade to the ground with rockshaft control in position control. Remove top link from mast, disconnect hitch arms from bottom pins and pull tractor away from blade.

FIELD ADJUSTMENTS

ANGLING - The design of these blades permits the cutting edge to be angled for both forward and backward operation. To change the angle remove the angle index pin from the frame. Blade can then be rotated to the desired position and the index pin replaced.

OFFSET - Offsetting the blade can be accomplished by removing the adjusting pin and pivoting the mainframe boom to the desired position. Replace index pin and secure with hair pin.

TILT - The blade may be tilted left or right by removing the tilt index pin and moving the blade to the desired position. Replace the pin in appropriate hole.

The pitch of the blade may be adjusted by lengthening or shortening the top link on the tractor 3-point lift.

Care should be exercised during use of the blade to prevent hanging the ends on immovable objects or otherwise use the implement under conditions beyond its designed capacity. Back fills may be made by reversing the moldboard and pushing instead of pulling.

WARNING

DURING BLADE ADJUSTMENT

- KEEP BODY, HANDS AND FEET CLEAR OF BLADE.
- KEEP FINGERS CLEAR OF HOLES.

CAUTION

WHEN EQUIPMENT IS TRANSPORTED, USE NECESSARY DEVICES REQUIRED BY LOCAL REGULATIONS FOR ADEQUATE WARNING TO OPERATORS OF OTHER VEHICLES.

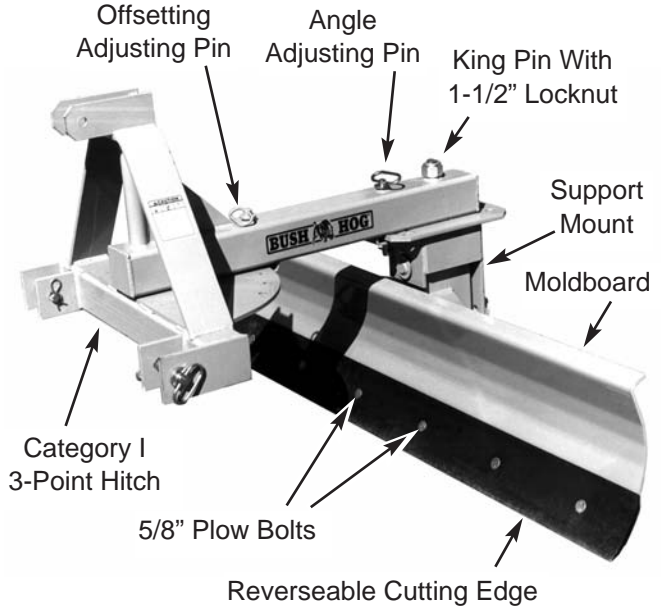
CAUTION

ADDITIONAL TRACTOR FRONT BALLAST MAY BE NEEDED FOR STABLE OPERATION AND TRANSPORT OF IMPLEMENT. SEE TRACTOR OPERATOR'S MANUAL FOR RECOMMENDED WEIGHTS. IT IS RECOMMENDED THAT TRACTOR BE EQUIPPED WITH ROLLOVER PROTECTIVE SYSTEM (ROPS).

SECTION V 50 SERIES ASSEMBLY

Fasten the moldboard assembly to the mainframe boom by sliding the king pin up through the holes in the boom and fastening with a 1-1/4" lock nut. Do not over-tighten so as to prevent the moldboard from pivoting.

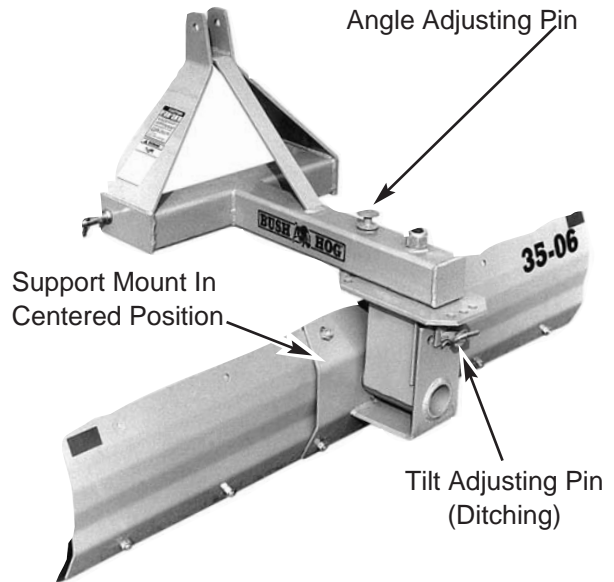
Lock the moldboard into the desired position with the angle adjusting pin. Insert hair pin through bottom of the adjusting pin.



SECTION VI 35 SERIES OPERATION

STANDARD EQUIPMENT & SPECIFICATIONS

Approx. Weight:260 lbs. (4')
	280 lbs. (5')
	310 lbs. (6')
	340 lbs. (7')
Maximum Tractor HP35 HP
Hitch:3 Point Category I
Moldboard Width:4', 5', 6', and 7'
	Height & Thickness: 14-1/2" x 1/4"
	Cutting Edge:1/2" x 6" Reversible
King Pin Diameter:1-1/4" (Grade 8)
Adjustments:	
	Tilt:15° Up or Down
	Offset:12" Left or Right
	Angle:5 Fwd positions up to 30°
	3 Rev. positions up to 15°
Moldboard Rotation360°



ATTACHING TO TRACTOR

The blade should be placed on level ground.

Place the tractor rockshaft control in "position control" (non-floating) for attaching and detaching the rear mounted blade. "Draft control" or "position control" can be used while operating.

Back the tractor until the ends of the lift arms can be attached to the lift points on the implement. Secure the lift arms to the mast with pins and presto pins provided.

Attach the center link to the top of the mast and adjust so that the blade will be level in the operating position

DETACHING FROM TRACTOR

Lower the blade to the ground with rockshaft control in position control. Remove top link from mast, disconnect hitch arms from bottom pins and pull tractor away from blade.

CAUTION

USE SUITABLE MATERIAL TO SUPPORT AND PREVENT MAST BOOM END FROM FALLING WHEN DETACHING BLADE. KEEP BODY, HANDS AND FEET CLEAR OF IMPLEMENT.

FIELD ADJUSTMENTS

The ditching angle of the blade can be adjusted by removing the index pin from the rear of the mount assembly. Adjust blade to desired angle and replace index pin.

The blade can be offset 12" to either side by altering the position where the blade is bolted to the support mount.

To change the operation angle, remove the index pin from the mast assembly and pivot the blade to the desired position, either forward or reversed. Replace index pin and secure with hair pin.

Care should be exercised during use of the blade to prevent hanging the ends on immovable objects or otherwise use the implement under conditions beyond its designed capacity.

WARNING

DURING BLADE ADJUSTMENT

- KEEP BODY, HANDS AND FEET CLEAR OF BLADE.
- KEEP FINGERS CLEAR OF HOLES.

CAUTION

WHEN EQUIPMENT IS TRANSPORTED, USE NECESSARY DEVICES REQUIRED BY LOCAL REGULATIONS FOR ADEQUATE WARNING TO OPERATORS OF OTHER VEHICLES.

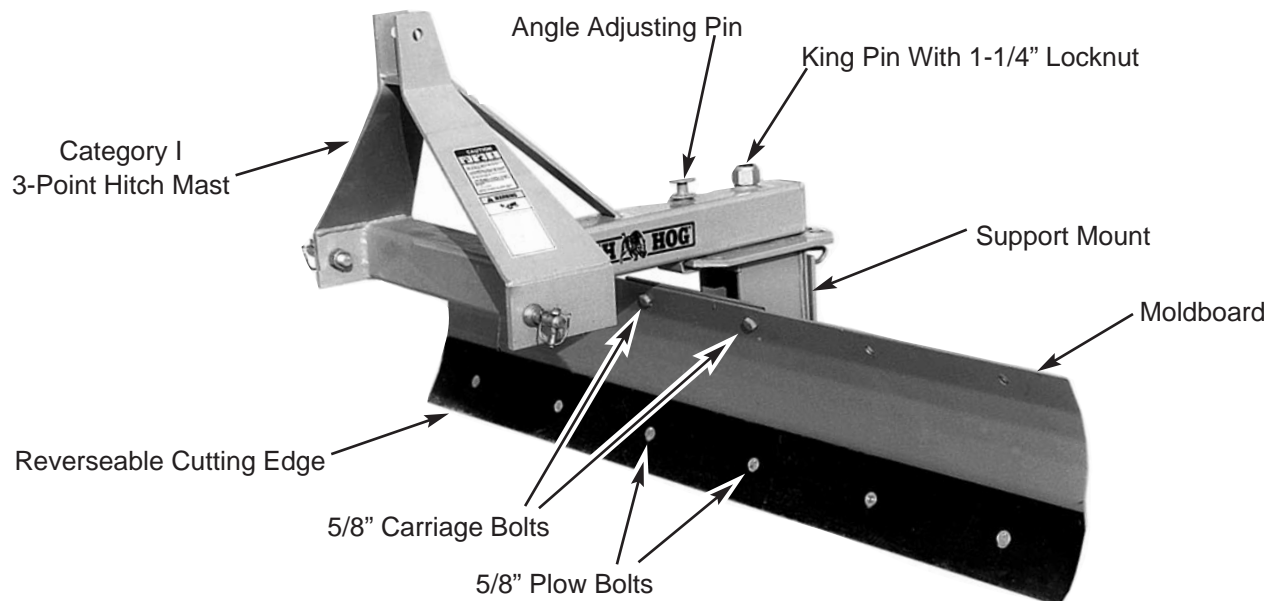
CAUTION

ADDITIONAL TRACTOR FRONT BALLAST MAY BE NEEDED FOR STABLE OPERATION AND TRANSPORT OF IMPLEMENT. SEE TRACTOR OPERATOR'S MANUAL FOR RECOMMENDED WEIGHTS. IT IS RECOMMENDED THAT TRACTOR BE EQUIPPED WITH ROLLOVER PROTECTIVE SYSTEM (ROPS).

SECTION VII 35 SERIES ASSEMBLY

Fasten the 3-point hitch frame to the moldboard assembly by sliding the king pin up through the holes in the boom and fastening with a 1-1/4" lock nut. Do not over-tighten so as to prevent the moldboard from pivoting.


Lock the moldboard into the desired position with the angle adjusting pin. Insert hair pin through bottom of the adjusting pin.



SAFETY DECALS

To promote safe operation, Bush Hog supplies safety decals on all products manufactured. Because damages can occur to safety decals either through shipment, use or reconditioning, Bush Hog will, upon request, provide safety decals for any of our products in the field at no charge. Contact your authorized Bush Hog dealer for more information.

⚠ CAUTION



TO AVOID SERIOUS INJURY OR DEATH:

- READ OPERATOR'S MANUAL BEFORE OPERATING AND FOLLOW ALL PRECAUTIONS (CONTACT DEALER FOR MANUALS)
- IT IS RECOMMENDED OPERATOR USE ROLLOVER PROTECTIVE SYSTEM AND SEAT BELT EQUIPPED TRACTOR FOR ALL IMPLEMENT OPERATIONS.
- ADD TRACTOR FRONT END WEIGHTS REQUIRED FOR TRACTOR STABILITY.
- LOWER IMPLEMENT TO GROUND, STOP ENGINE, PLACE TRANSMISSION IN NEUTRAL OR PARK, SET PARKING BRAKE AND REMOVE KEY BEFORE DISMOUNTING TRACTOR OR ADJUSTING IMPLEMENT.
- ALLOW NO RIDERS.
- TRANSPORT BLADE IN FULL RAISED POSITION WITH TILT AND OFFSET ANGLES AT "ZERO" POSITION.

89141

⚠ WARNING



TO AVOID SERIOUS INJURY OR DEATH:

1. DURING BLADE ADJUSTMENTS:
 - KEEP FINGERS AWAY FROM ADJUSTING HOLES.
 - KEEP BODY, HANDS AND FEET CLEAR FROM ELEVATED BLADE.
2. DURING BLADE OPERATION:
 - AVOID HIGH SPEED OVER ROUGH TERRAIN OR SLOPES.
 - DO NOT HIT IMMOVABLE OBJECTS WITH BLADE OR SCARIFIER POINTS.
 - DO NOT HIT MOUNDS, RIDGES OR AREAS WITH HIDDEN OBSTRUCTIONS DURING SNOW, ICE REMOVAL OR SIMILAR HIGH SPEED OPERATIONS.

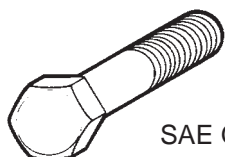
90959

TORQUE SPECIFICATIONS

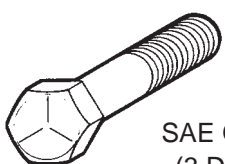
Proper torque for American fasteners used on Bush Hog equipment.
Recommended Torque in Foot Pounds (Newton Meters).*

AMERICAN

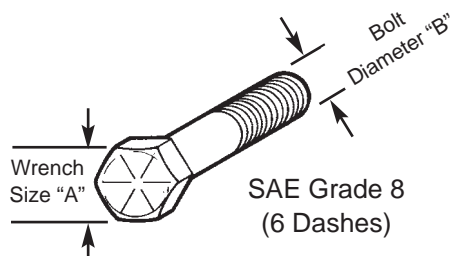
Bolt Head Markings



SAE Grade 2
(No Dashes)



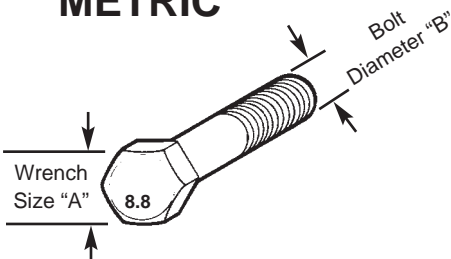
SAE Grade 5
(3 Dashes)



SAE Grade 8
(6 Dashes)

WRENCH SIZE (IN.) "A"	BOLT DIAMETER (IN.) "B" AND THREAD SIZE	SAE GRADE 2	SAE GRADE 5	SAE GRADE 8
7/16	1/4 - 20 UNC	6 (7)	8 (11)	12 (16)
7/16	1/4 - 28 UNF	6 (8)	10 (13)	14 (18)
1/2	5/16 - 18 UNC	11 (15)	17 (23)	25 (33)
1/2	5/16 - 24 UNF	13 (17)	19 (26)	27 (37)
9/16	3/8 - 16 UNC	20 (27)	31 (42)	44 (60)
9/16	3/8 - 24 UNF	23 (31)	35 (47)	49 (66)
5/8	7/16 - 14 UNC	32 (43)	49 (66)	70 (95)
5/8	7/16 - 20 UNF	36 (49)	55 (75)	78 (106)
3/4	1/2 - 13 UNC	49 (66)	76 (103)	106 (144)
3/4	1/2 - 20 UNF	55 (75)	85 (115)	120 (163)
7/8	9/16 - 12 UNC	70 (95)	109 (148)	153 (207)
7/8	9/16 - 18 UNF	79 (107)	122 (165)	172 (233)
15/16	5/8 - 11 UNC	97 (131)	150 (203)	212 (287)
15/16	5/8 - 18 UNF	110 (149)	170 (230)	240 (325)
1-1/8	3/4 - 10 UNC	144 (195)	266 (360)	376 (509)
1-1/8	3/4 - 16 UNF	192 (260)	297 (402)	420 (569)
1-5/16	7/8 - 9 UNC	166 (225)	430 (583)	606 (821)
1-5/16	7/8 - 14 UNF	184 (249)	474 (642)	668 (905)
1-1/2	1 - 8 UNC	250 (339)	644 (873)	909 (1232)
1-1/2	1 - 12 UNF	274 (371)	705 (955)	995 (1348)
1-1/2	1 - 14 UNF	280 (379)	721 (977)	1019 (1381)
1-11/16	1-1/8 - 7 UNC	354 (480)	795 (1077)	1288(1745)
1-11/16	1-1/8 - 12 UNF	397 (538)	890 (1206)	1444 (1957)
1-7/8	1-1/4 - 7 UNC	500 (678)	1120 (1518)	1817 (2462)
1-7/8	1-1/4 - 12 UNF	553 (749)	1241 (1682)	2013 (2728)
2-1/16	1-3/8 - 6 UNC	655 (887)	1470 (1992)	2382 (3228)
2-1/16	1-3/8 - 12 UNF	746 (1011)	1672 (2266)	2712 (3675)
2-1/4	1-1/2 - 6 UNC	870 (1179)	1950 (2642)	3161 (4283)
2-1/4	1-1/2 - 12 UNF	979 (1327)	2194 (2973)	3557 (4820)

METRIC



Numbers appearing on bolt heads indicate ASTM class.

Proper torque for metric fasteners used on Bush Hog equipment.
Recommended torque in foot pounds (newton Meters).*

—WRENCH SIZE (mm) "A"	BOLT DIA. (mm) "B"	ASTM 4.6	ASTM 8.8	ASTM 9.8	ASTM 10.9
8	5	1.8 (2.4)		5.1 (6.9)	6.5 (8.8)
10	6	3 (4)		8.7 (12)	11.1 (15)
13	8	7.3 (10)		21.1 (29)	27 (37)
16	10	14.5 (20)		42 (57)	53 (72)
18	12	25 (34)	74 (100)	73 (99)	93 (126)
21	14	40 (54)	118 (160)	116 (157)	148 (201)
24	16	62 (84)	167 (226)	181 (245)	230 (312)
30	20	122 (165)	325 (440)		449 (608)
33	22		443 (600)		611 (828)
36	24	211 (286)	563 (763)		778 (1054)
41	27		821 (1112)		1138 (1542)
46	30	418 (566)	1119 (1516)		1547 (2096)

*Use 75% of the specified torque value for plated fasteners. Use 85% of the specified torque values for lubricated fasteners.



BUSH HOG[®]
Performance You Can Count OnSM

P.O. Box 1039 • Selma, AL 36702-1039
Telephone (334) 874-2700 • www.bushhog.com