

BUSH HOG®

Revised 06/19

ALL PURPOSE PLOW

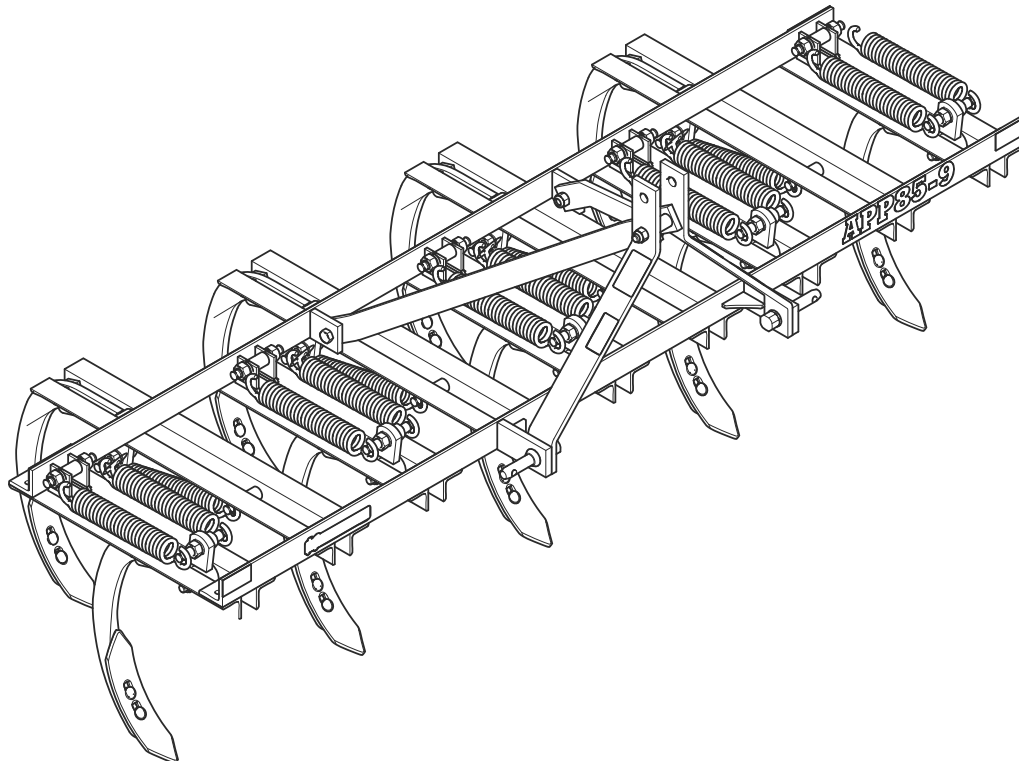
MODELS APP48-3, APP60-5, APP66-5,
APP66-7, APP85-7, APP85-9

MATERIAL HANDLING PARTS MANUAL

PARTS MANUAL SECTION 26



An Operator's Manual was shipped with the equipment . The Operator's Manual is an integral part of the safe operation of this machine and must be maintained with the unit at all times. **READ, UNDERSTAND, and FOLLOW** the Safety and Operation Instructions contained in this manual before operating the equipment. If the Operator's Manual is not with the equipment, contact your dealer or Bush Hog to obtain a Free copy before operating the equipment.



BUSH HOG®

2501 Griffin Ave.
Selma, AL 36703

334-874-2700

www.bushhog.com



© 2012 Alamo Group Inc.



PARTS ORDERING GUIDE

The following instructions are offered to help eliminate needless delay and error in processing purchase orders for the equipment in this section.

1. The Parts Section is prepared in logical sequence and grouping of parts that belong to the basic machine featured in this manual. Part Numbers and Descriptions are given to help locate the parts and quantities required.
2. The Purchase Order must include the name and address of the person or organization ordering the parts, who should be charged, and if possible, the serial number of the machine for which the parts are ordered.
3. The Purchase Order must clearly list the quantity of each part, the complete and correct part number (be sure to include all periods), and the basic name of the part.
4. The Manufacturer reserves the right to substitute parts where applicable.
5. Some parts are unlisted items which are special production items not normally stocked and are subject to special handling. Request a quotation for such parts before sending a Purchase Order.
6. The Manufacturer reserves the right to change prices without prior notice.



For maximum safety and to guarantee optimum product reliability, always use genuine BUSH HOG Parts. The use of inferior replacement parts may cause premature or catastrophic failure which could result in serious injury or death. Direct any questions regarding parts to:

BUSH HOG
2501 Griffin Ave.
Selma, AL 36703
www.bushhog.com
Contact Us
800-304-2836



BUSH HOG®

LIMITED WARRANTY

Bush Hog warrants to the original purchaser of any new Bush Hog equipment, purchased from an authorized Bush Hog dealer, that the equipment be free from defects in material and workmanship for a period of one (1) year for non-commercial, state and municipalities' use and ninety (90) days for commercial use from date of retail sale. The obligation of Bush Hog to the purchaser under this warranty is limited to the repair or replacement of defective parts.

Replacement or repair parts installed in the equipment covered by this limited warranty are warranted for ninety (90) days from the date of purchase of such part or to the expiration of the applicable new equipment warranty period, whichever occurs later. Warranted parts shall be provided at no cost to the user at an authorized Bush Hog dealer during regular working hours. Bush Hog reserves the right to inspect any equipment or parts which are claimed to have been defective in material or workmanship.

DISCLAIMER OF IMPLIED WARRANTIES & CONSEQUENTIAL DAMAGES

Bush Hog's obligation under this limited warranty, to the extent allowed by law, is in lieu of all warranties, implied or expressed, **INCLUDING IMPLIED WARRANTIES OF MERCHANTABILITY AND FITNESS FOR A PARTICULAR PURPOSE** and any liability for incidental and consequential damages with respect to the sale or use of the items warranted. Such incidental and consequential damages shall include but not be limited to: transportation charges other than normal freight charges; cost of installation other than cost approved by Bush Hog; duty; taxes; charges for normal service or adjustment; loss of crops or any other loss of income; rental of substitute equipment, expenses due to loss, damage, detention or delay in the delivery of equipment or parts resulting from acts beyond the control of Bush Hog.

THIS LIMITED WARRANTY SHALL NOT APPLY:

1. To vendor items which carry their own warranties, such as engines, tires, and tubes.
2. If the unit has been subjected to misapplication, abuse, misuse, negligence, fire or other accident.
3. If parts not made or supplied by Bush Hog have been used in connection with the unit, if, in the sole judgement of Bush Hog such use affects its performance, stability or reliability.
4. If the unit has been altered or repaired outside of an authorized Bush Hog dealership in a manner which, in the sole judgement of Bush Hog, affects its performance, stability or reliability.
5. To normal maintenance service and normal replacement items such as gearbox lubricant, hydraulic fluid, worn blades, or to normal deterioration of such things as belts and exterior finish due to use or exposure.
6. To expendable or wear items such as teeth, chains, sprockets, belts, springs and any other items that in the company's sole judgement is a wear item.

NO EMPLOYEE OR REPRESENTATIVE OF BUSH HOG IS AUTHORIZED TO CHANGE THIS LIMITED WARRANTY IN ANY WAY OR GRANT ANY OTHER WARRANTY UNLESS SUCH CHANGE IS MADE IN WRITING AND SIGNED BY BUSH HOG'S SERVICE MANAGER, 2501 GRIFFIN AVE., SELMA, ALABAMA 36703.

Record the model number, serial number and date purchased. This information will be helpful to your dealer if parts or service are required.

MODEL NUMBER _____

SERIAL NUMBER _____

DATE OF RETAIL SALE _____

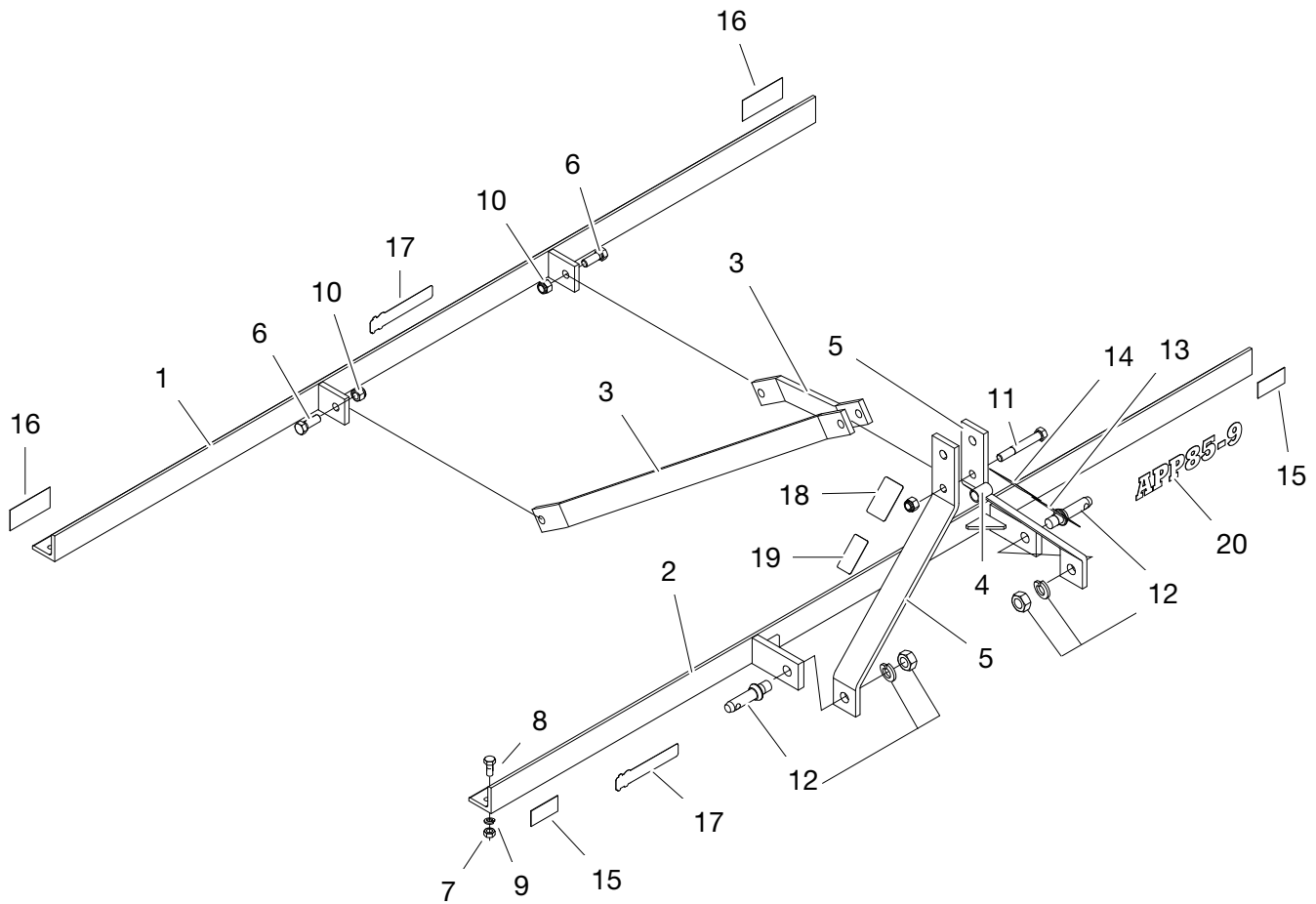
MAKE CERTAIN THE WARRANTY
HAS BEEN FILED WITH BUSH HOG
SELMA, ALABAMA

TABLE OF CONTENTS

ALL PURPOSE PLOW

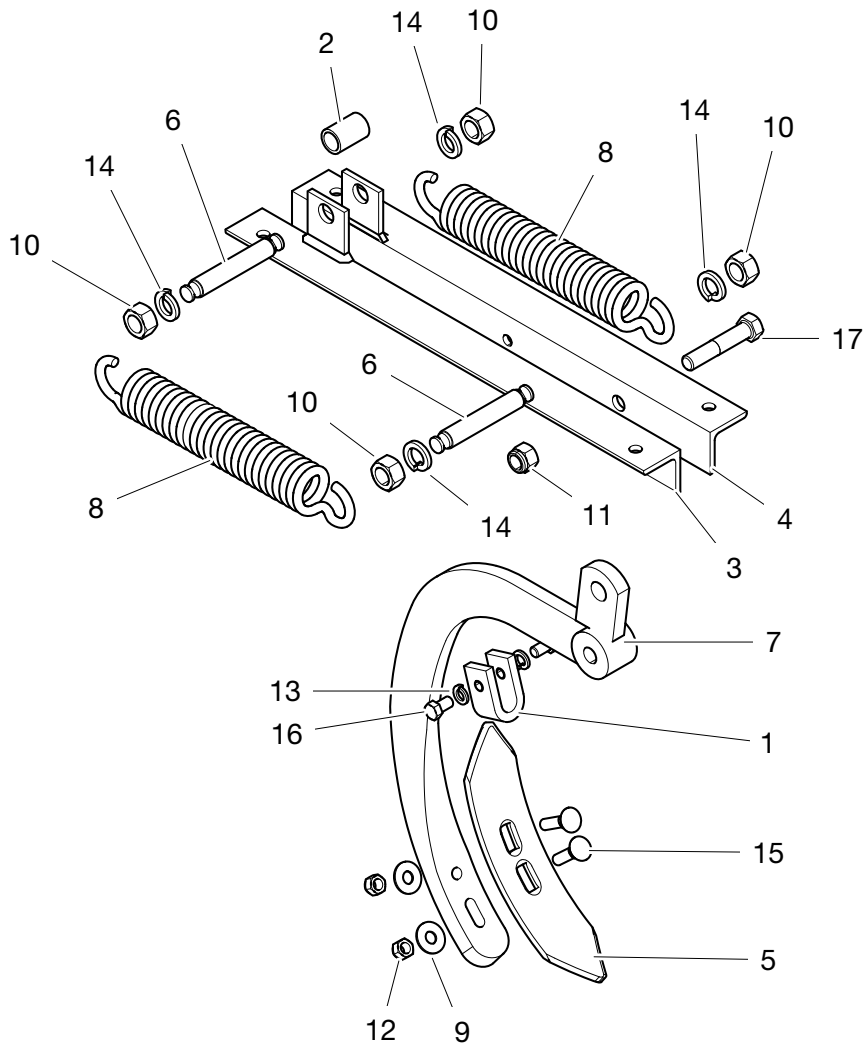
Frame and Related Parts.....	26-1-1
Shank Assembly, Top Lug.....	26-1-2
Shank Assembly, Bottom Lug.....	26-1-3

ALL PURPOSE PLOW FRAME AND RELATED PARTS



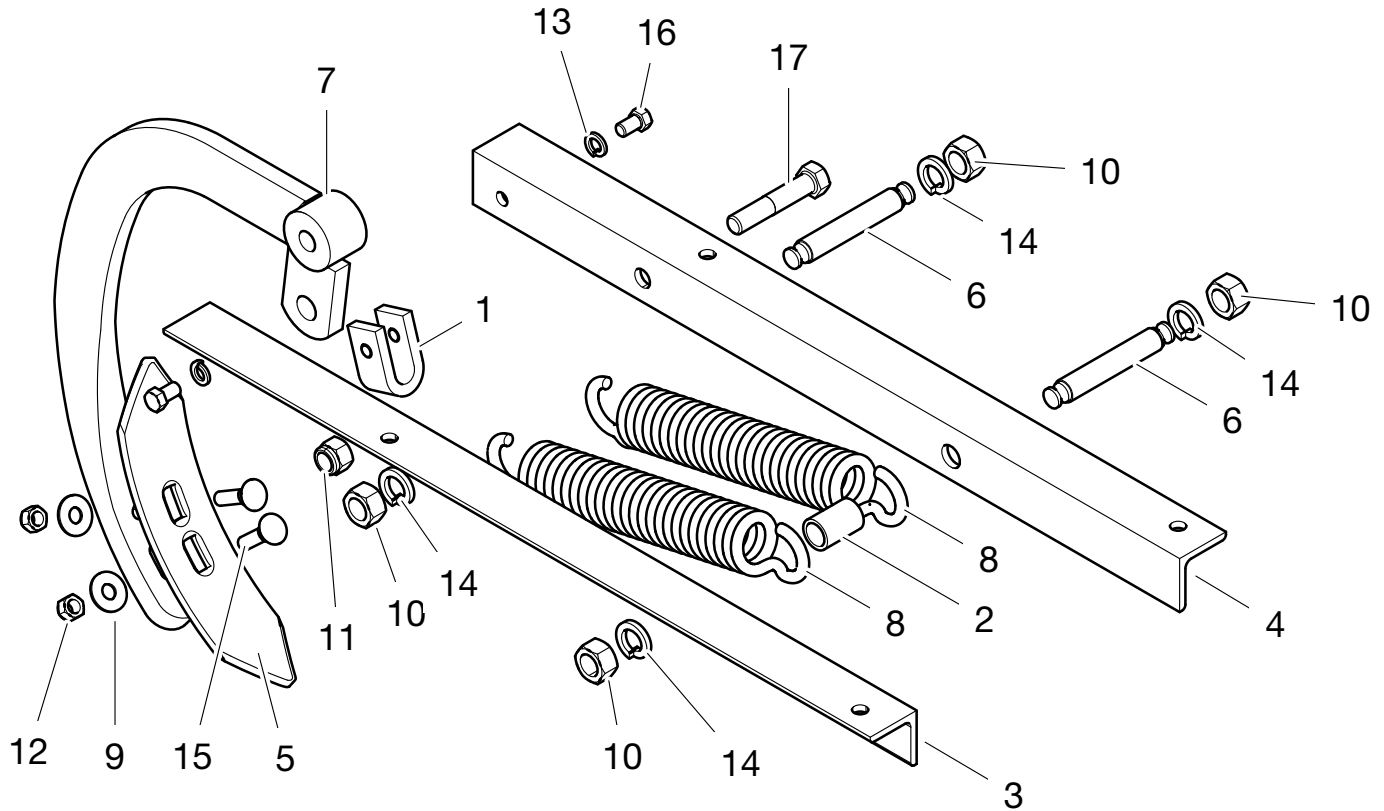
Ref. No.	Part No.	Description	Qty. Req'd.	Ref. No.	Part No.	Description	Qty. Req'd.
1	50071458	Rear Frame APP85-9 & APP85-7	1	10	15165BH	Capscrew 5/8" -11 x 1-3/4 Gr5	A/R
	50071456	Rear Frame APP66-7 & APP66-5	1	11	20508	Capscrew 5/8" -11 x 4-1/2 Gr5	A/R
	50071454	Rear Frame APP60-5 & APP60-7	1	12	63765	Lift Pin Kit Cat 1	2
	50071452	Rear Frame APP48-3	1	13	50057097	Caution Decal	1
2	50071457	Front Frame APP85-9 & APP85-7	1	14	90960BH	Warning Decal	1
	50071455	Front Frame APP66-7 & APP66-5	1	15	53315	Amber Reflector	2
	50071453	Front Frame APP60-5	1	16	50031214	Red Reflector	2
	50071451	Front Frame APP48-3	1	17	50062087	Logo Decals Bush Hog	2
3	50071449	Back Strap	2	18	00725746	Decal, Peligro	1
4	50071444	Bushing, "A" Frame	1	19	NFS	Serial No Decal	1
5	50071443	"A" Frame Half	2	20	50071482	Model Decal APP85-9	1
6	15598BH	Locknut 5/8"-11 Nylock	3		50071481	Model Decal APP85-7	1
7	-----	Locknut 7/16"-14 Nylock	A/R		50071480	Model Decal APP66-7	1
8	-----	Capscrew 7/16"	A/R		50071479	Model Decal APP66-5	1
9	44880BH	Lockwasher 7/16"	A/R		50071478	Model Decal APP60-5	1
					50071477	Model Decal APP48-3	1

ALLPURPOSE PLOW SHANK ASSEMBLY with TOP LUG



Ref. No.	Part No.	Description	Qty. Req'd.
	50073429	Shank Assembly	1
1	50071464	Stop, Formed	1
2	50071463	Bushing	1
3	50071462	Angle R.H. Top Lug Shank	1
4	50071461	Angle L.H. Top Lug Shank	1
5	50071450	Plow Point 5/16" x 2" x 10-1/8"	1
6	50071448	Spring Bolt 3/4" -16 x 5"	2
7	50071446	Shank, Top Lug	1
8	50071445	Spring	2
9	-----	Flatwasher 7/16"	2
10	44897BH	Hex Nut 3/4"-16"	4
11	15598BH	Locknut 5/8" -11	1
12	-----	Locknut 7/16" -14	2
13	-----	Lockwasher 7/16"	2
14	146	Lockwasher 3/4"	2
15	-----	Plow Bolt 7/16" -14 x 1-3/4"	2
16	-----	Capscrew 7/16"-14 x 3/4"	2
17	44107BH	Capscrew 5/8" - 11 x 3-1/2" Gr.5	1

ALLPURPOSE PLOW SHANK ASSEMBLY with BOTTOM LUG



Ref. No.	Part No.	Description	Qty. Req'd.
	50073430	Shank Assembly	1
1	50071464	Stop, Formed	1
2	50071463	Bushing	1
3	50071460	Angle R.H. Bottom Lug Shank	1
4	50071459	Angle L.H. Bottom Lug Shank	1
5	50071450	Plow Point 5/16" x 2" x 10-1/8"	1
6	50071448	Spring Bolt 3/4" -16 x 5"	2
7	50071447	Shank, Bottom Lug	1
8	50071445	Spring	2
9	-----	Flatwasher 7/16"	2
10	44897BH	Hex Nut 3/4"-16"	4
11	15598BH	Locknut 5/8" -11	1
12	-----	Locknut 7/16" -14	2
13	-----	Lockwasher 7/16"	2
14	146	Lockwasher 3/4"	2
15	-----	Plow Bolt 7/16" -14 x 1-3/4"	2
16	-----	Capscrew 7/16"-14 x 3/4"	2
17	44107BH	Capscrew 5/8" - 11 x 3-1/2" Gr.5	1



BUSH HOG[®]

2501 Griffin Ave. • Selma, AL 36703
www.bushhog.com