



# BUSH HOG®

# RG 60/72/84 CRG48/60 HDRG84/96 ROAD GRADER

Published 07/15

## PARTS MANUAL SECTION 24



An Operator's Manual was shipped with the equipment . The Operator's Manual is an integral part of the safe operation of this machine and must be maintained with the unit at all times. **READ, UNDERSTAND, and FOLLOW** the Safety and Operation Instructions contained in this manual before operating the equipment. If the Operator's Manual is not with the equipment, contact your dealer or Bush Hog to obtain a Free copy before operating the equipment.



## BUSH HOG®

2501 Griffin Ave.  
Selma, AL 36703  
334-874-2700  
[www.bushhog.com](http://www.bushhog.com)

**¡ATENCIÓN!**  
LEA EL INSTRUCTIVO



Si No Lee Ingles, Pida  
Ayuda a Alguien  
Que Se Lo Lea Para Que le  
Traduzca Las  
Medidas de Seguridad

© 2015 Alamo Group Inc.

**A** MEMBER OF THE  
ALAMO GROUP  
ALWAYS ON THE CUTTING EDGE®

## PARTS ORDERING GUIDE

The following instructions are offered to help eliminate needless delay and error in processing purchase orders for the equipment in this section.

1. The Parts Section is prepared in logical sequence and grouping of parts that belong to the basic machine featured in this manual. Part Numbers and Descriptions are given to help locate the parts and quantities required.
2. The Purchase Order must include the name and address of the person or organization ordering the parts, who should be charged, and if possible, the serial number of the machine for which the parts are ordered.
3. The Purchase Order must clearly list the quantity of each part, the complete and correct part number (be sure to include all periods), and the basic name of the part.
4. The Manufacturer reserves the right to substitute parts where applicable.
5. Some parts are unlisted items which are special production items not normally stocked and are subject to special handling. Request a quotation for such parts before sending a Purchase Order.
6. The Manufacturer reserves the right to change prices without prior notice.



For maximum safety and to guarantee optimum product reliability, always use genuine BUSH HOG Parts. The use of inferior replacement parts may cause premature or catastrophic failure which could result in serious injury or death. Direct any questions regarding parts to:

**BUSH HOG**  
**2501 Griffin Ave.**  
**Selma, AL 36703**  
**[www.bushhog.com](http://www.bushhog.com)**  
**Contact Us**  
**800-304-2836**



**BUSH HOG®**

# LIMITED WARRANTY

Bush Hog warrants to the original purchaser of any new Bush Hog equipment, purchased from an authorized Bush Hog dealer, that the equipment be free from defects in material and workmanship for a period of one (1) year for non-commercial, state and municipalities' use and ninety (90) days for commercial use from date of retail sale. The obligation of Bush Hog to the purchaser under this warranty is limited to the repair or replacement of defective parts.

Replacement or repair parts installed in the equipment covered by this limited warranty are warranted for ninety (90) days from the date of purchase of such part or to the expiration of the applicable new equipment warranty period, whichever occurs later. Warranted parts shall be provided at no cost to the user at an authorized Bush Hog dealer during regular working hours. Bush Hog reserves the right to inspect any equipment or parts which are claimed to have been defective in material or workmanship.

## DISCLAIMER OF IMPLIED WARRANTIES & CONSEQUENTIAL DAMAGES

Bush Hog's obligation under this limited warranty, to the extent allowed by law, is in lieu of all warranties, implied or expressed, **INCLUDING IMPLIED WARRANTIES OF MERCHANTABILITY AND FITNESS FOR A PARTICULAR PURPOSE** and any liability for incidental and consequential damages with respect to the sale or use of the items warranted. Such incidental and consequential damages shall include but not be limited to: transportation charges other than normal freight charges; cost of installation other than cost approved by Bush Hog; duty; taxes; charges for normal service or adjustment; loss of crops or any other loss of income; rental of substitute equipment, expenses due to loss, damage, detention or delay in the delivery of equipment or parts resulting from acts beyond the control of Bush Hog.

## THIS LIMITED WARRANTY SHALL NOT APPLY:

1. To vendor items which carry their own warranties, such as engines, tires, and tubes.
2. If the unit has been subjected to misapplication, abuse, misuse, negligence, fire or other accident.
3. If parts not made or supplied by Bush Hog have been used in connection with the unit, if, in the sole judgement of Bush Hog such use affects its performance, stability or reliability.
4. If the unit has been altered or repaired outside of an authorized Bush Hog dealership in a manner which, in the sole judgement of Bush Hog, affects its performance, stability or reliability.
5. To normal maintenance service and normal replacement items such as gearbox lubricant, hydraulic fluid, worn blades, or to normal deterioration of such things as belts and exterior finish due to use or exposure.
6. To expendable or wear items such as teeth, chains, sprockets, belts, springs and any other items that in the company's sole judgement is a wear item.

NO EMPLOYEE OR REPRESENTATIVE OF BUSH HOG IS AUTHORIZED TO CHANGE THIS LIMITED WARRANTY IN ANY WAY OR GRANT ANY OTHER WARRANTY UNLESS SUCH CHANGE IS MADE IN WRITING AND SIGNED BY BUSH HOG'S SERVICE MANAGER, 2501 GRIFFIN AVE., SELMA, ALABAMA 36703.

Record the model number, serial number and date purchased. This information will be helpful to your dealer if parts or service are required.

MODEL NUMBER \_\_\_\_\_

SERIAL NUMBER \_\_\_\_\_

DATE OF RETAIL SALE \_\_\_\_\_

MAKE CERTAIN THE WARRANTY  
HAS BEEN FILED WITH BUSH HOG  
SELMA, ALABAMA

# TABLE OF CONTENTS

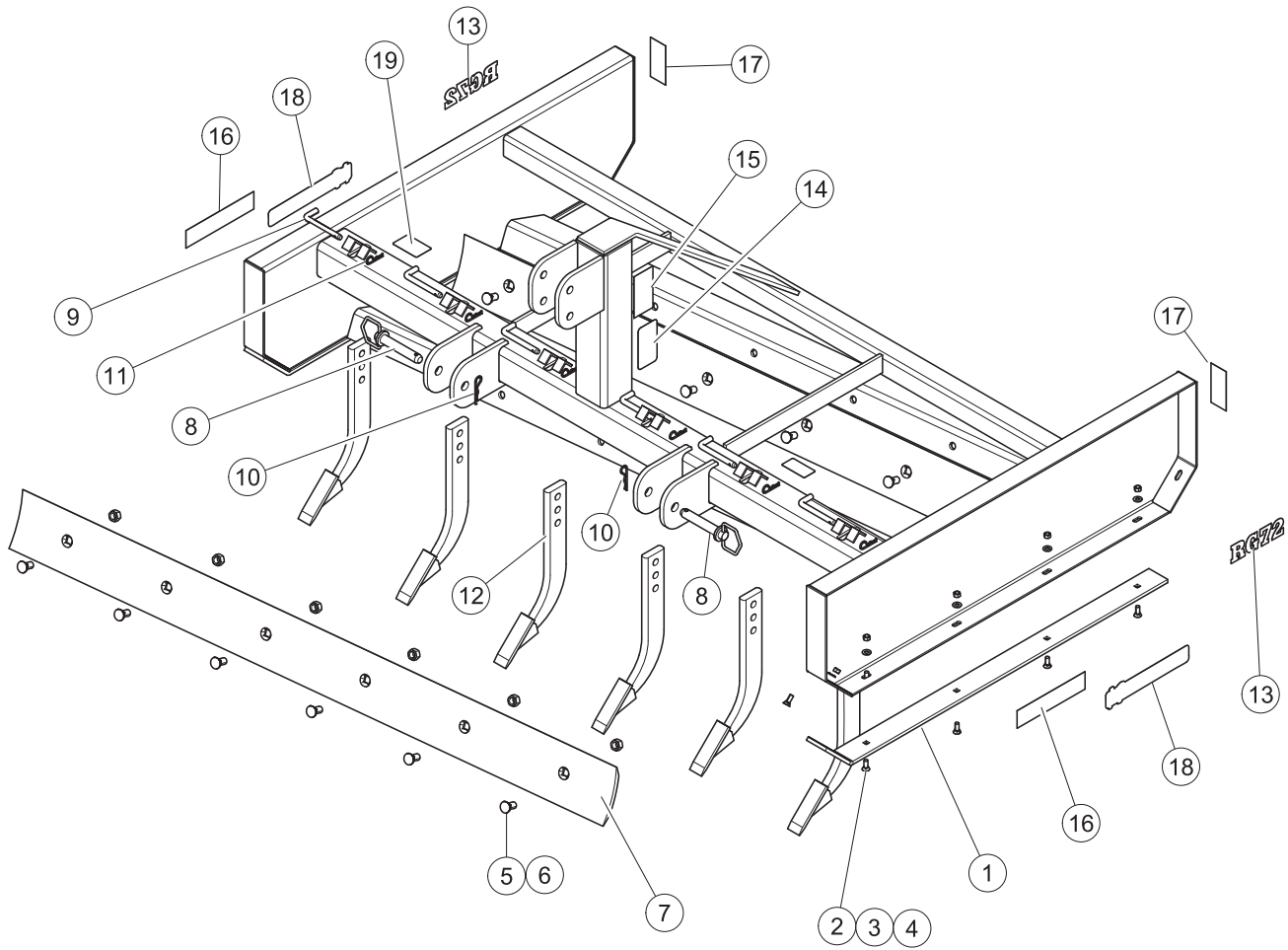
## ROAD GRADER

### RG 60, RG 72, RG 84 SERIES

---

Frame and Related Parts RG60, RG72, RG84 .....	24-1-1
Frame and Related Parts HDRG84, HDRG96 .....	24-1-2
Frame and Related Parts CRG48, CRG60.....	24-1-4

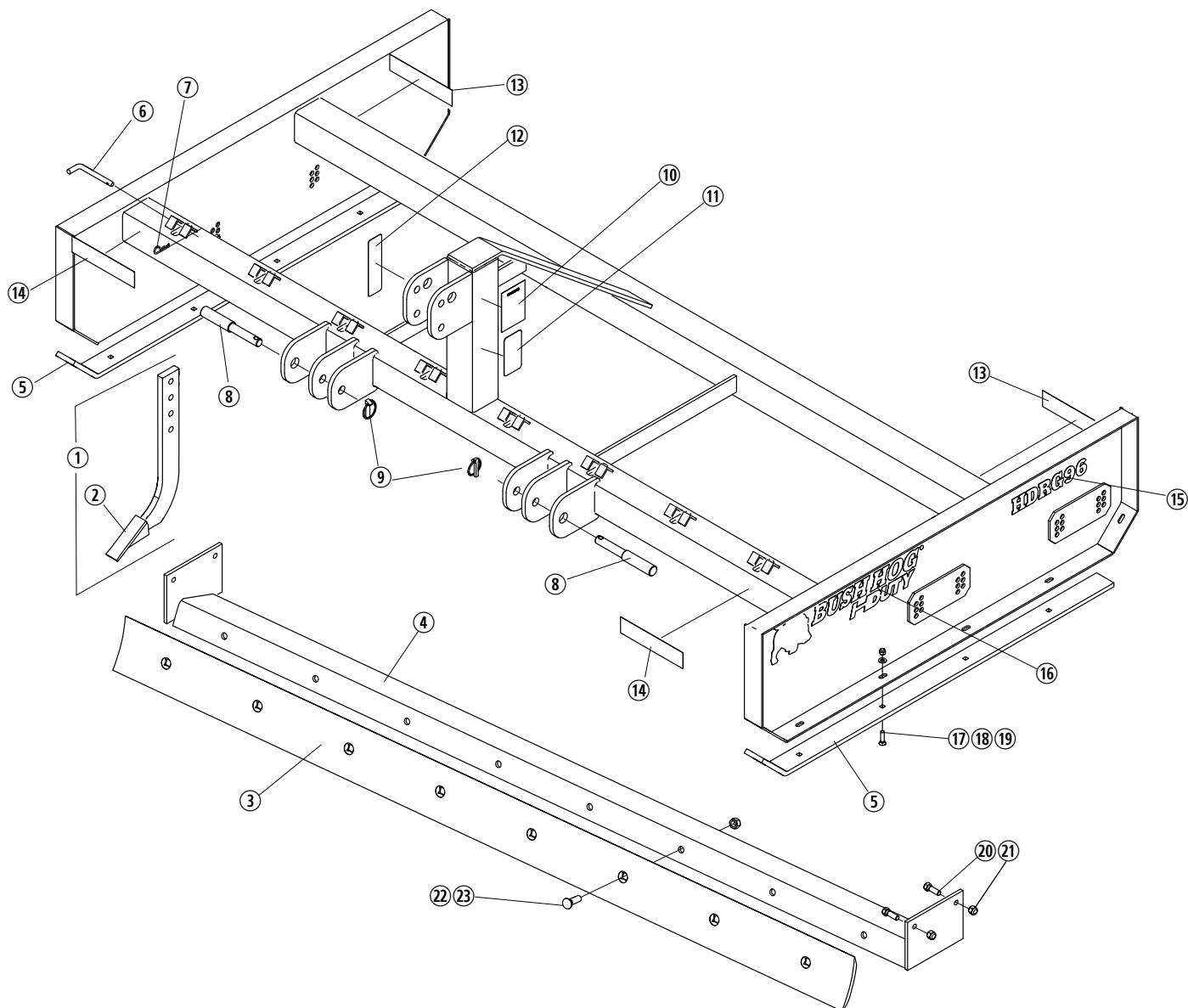
# RG 60, RG 72, RG 84 SERIES FRAME AND RELATED PARTS



Ref. No.	Part No.	Description	Qty. Req'd.
1	50069718	Skid	2
2	-----	Flatwasher 3/8 SAE	10
3	-----	Locknut 3/8	10
4	-----	Plow Bolt 3/8 x 1	10
5	-----	Hex Nut 5/8	A/R
6	-----	Plow Bolt 5/8 x 1-1/2	A/R
7	95155	Cutting Edge RG 60	1
	95157	Cutting Edge RG 72	1
	95158	Cutting Edge RG 84	1
8	95121	Hitch Pin	2
9	50031991	Retainer Pin	A/R
10	50005860	Hair Pin	2

Ref. No.	Part No.	Description	Qty. Req'd.
11	50005861	Hair Pin	A/R
12	50031990	Shank and Piont Assy.	A/R
13	50069585	Model Decal RG 60	2
	50069586	Model Decal RG 72	2
	50069587	Model Decal RG 84	2
14	50057097	Caution Decal	1
15	90960BH	Warning Decal	1
16	50031212	Amber Reflector	2
17	50031213	Red Reflector	2
18	50058089	Bush Hog Logo Decal	2
19	00725746	Danger/ Peligro Decal	1

# HDRG84 / HDRG96 SERIES FRAME AND RELATED PARTS

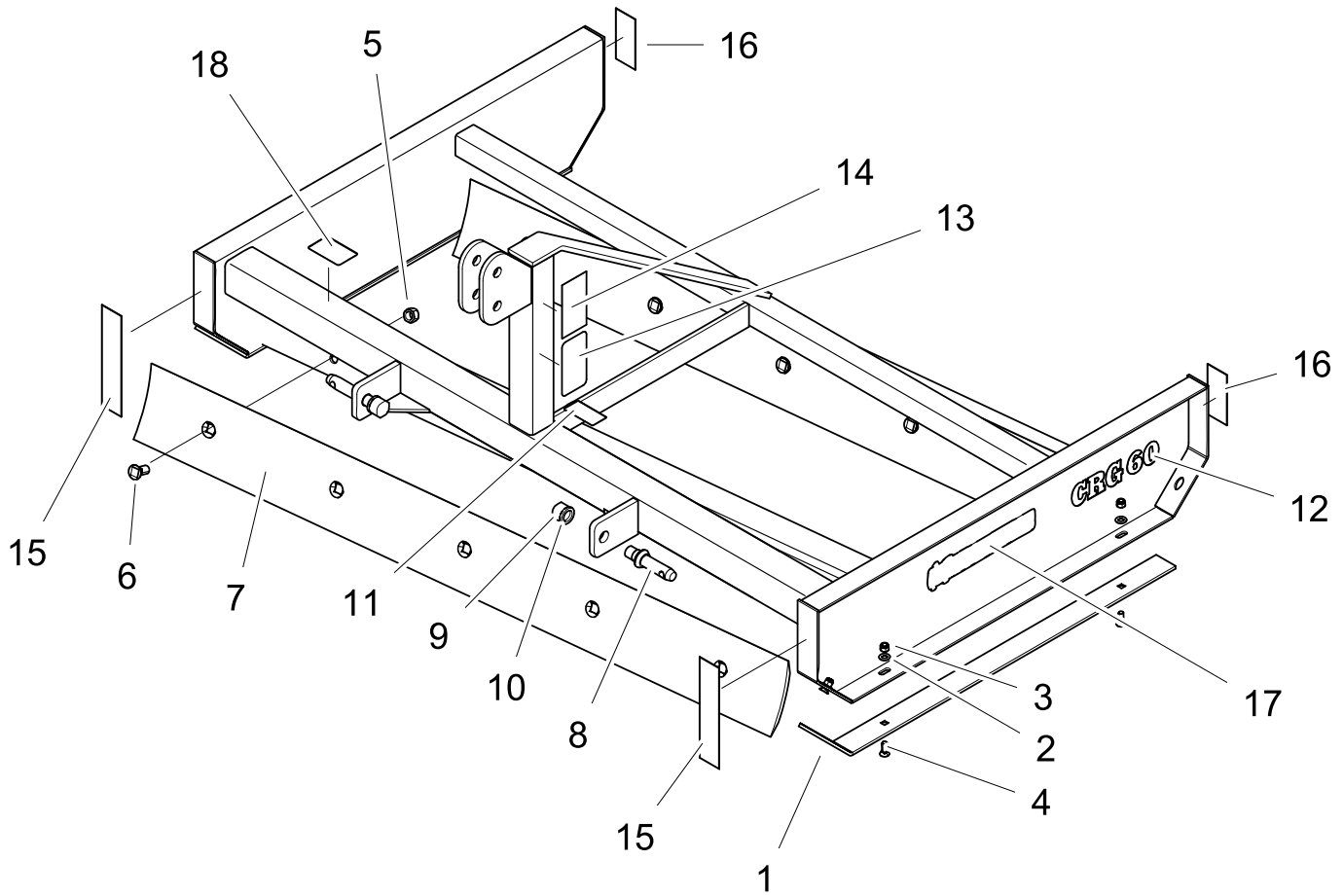


# HDRG84 / HDRG96 SERIES

## FRAME AND RELATED PARTS

Ref. No.	Part No.	Description	Qty.	
			HDRG84	HDRG96
1	50076161	Shank w/ Plow Point Assy.	6	8
2	95152	Plow Point, Heat Treated	6	8
3	95158	Cutting Edge 83-3/4" HDRG84	2	
	99332	Cutting Edge 95-3/4" HDRG96		2
4	50076160	Cutting Edge Weldment HDRG84	2	
	50076166	Cutting Edge Weldment HDRG96		2
5	50076163	Skid		2
6	50031991	Shank Retainer Pin	6	8
7	50005861	Hair Pin	6	8
8	99342	Lift Pin Cat. II & III		2
9	2850005	Klick Pin		2
10	90959	Warning Decal		1
11	50057097	Caution Decal		1
12	00725746	Peligro Decal		1
13	50031214	Red Reflector		2
14	50031212	Amber Reflector		2
15	50076164	Model Decal HDRG84	1	
	50076167	Model Decal HDRG96		1
16	50075378	Logo Decal, Bush Hog		2
17	50072329	Plow Bolt 3/8" x 1-1/2"		10
18	15830	Flatwasher 3/8" SAE		10
19	44624BH	Hex Nut 3/8" Nylock		10
20	15093	Capscrew 1/2" x 1-1/2" Gr.5		8
21	44539BH	Hex Nut 1/2" Nylock		8
22	20475	Plow Bolt #3 Hd 5/8" x 2"	14	16
23	44336BH	Hex Nut 5/8"	14	16

# CRG48 CRG60 SERIES FRAME AND RELATED PARTS



Ref. No.	Part No.	Description	Qty. Req'd.	Ref. No.	Part No.	Description	Qty. Req'd.
1	50071421	Skid	2	10	-----	Lockwasher 7/8"	2
2	-----	Flatwasher 3/8"	6	11	N/A	Serial No Decal	1
3	-----	Locknut, Nylock 3/8"	6	12	50071519	Decal CRG48	2
4	-----	Plowbolt 3/8" x 1"	6		50071527	Decal CRG60	2
5	-----	Hex Nut 5/8"	8/10	13	50057097	Caution Decal	1
6	-----	Plow Bolt 5/8" x 1-1/2"	8/10	14	90960BH	Warning Dceca	1
7	50058099	Cutting Edge 3/8" x 6" x 47-3/4"	2	15	50031212	Reflector, Amber	2
	50058098	Cutting Edge 3/8" x 6" x 59-3/4"	2	16	50031213	Reflector, Red	2
8	63765	Lift Pin Cat.1	2	17	50058089	Bush Hog Decal	2
9	-----	Locknut 7/8"	2	18	00725746	Decal, Peligro	1







**BUSH HOG<sup>®</sup>**

2501 Griffin Ave. • Selma, AL 36703  
[www.bushhog.com](http://www.bushhog.com)