

# **BUSH HOG<sup>®</sup>**

## **LAND MAINTENANCE REPAIR PARTS MANUAL**

**MODEL: 268/278  
SECTION: 29**



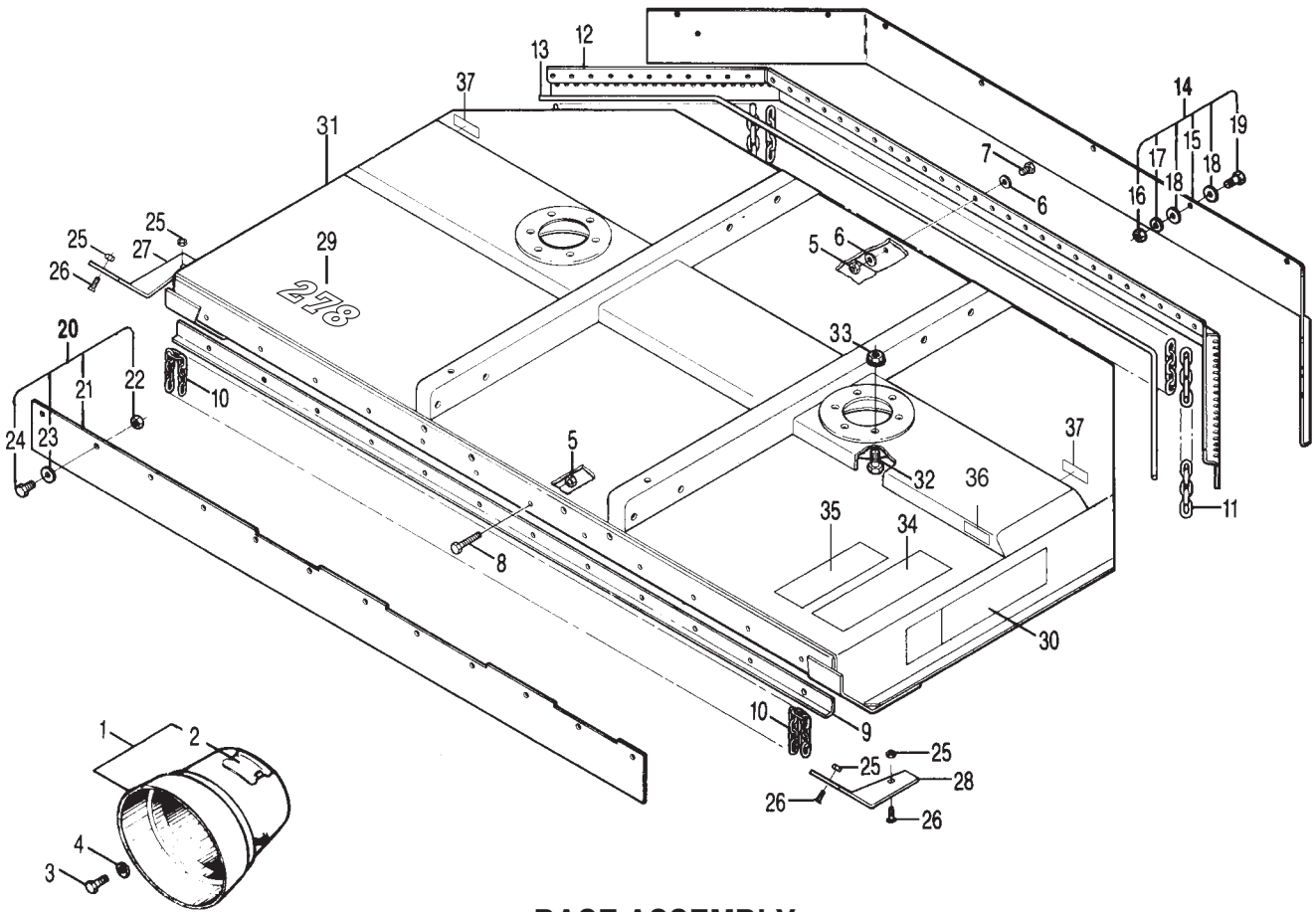
# **BUSH HOG<sup>®</sup>**

2501 Griffin Ave. • Selma, AL 36703  
(334) 872-6261 • (334) 874-2700  
Parts Ordering 1-800-304-2836  
Fax 1-800-572-1784  
[www.bushhog.com](http://www.bushhog.com)

***278R, 1278R***  
***278-OR, 1278-OR***  
***268R, 1268R***  
***268-OR, 1268-OR***  
**ROTARY CUTTER**

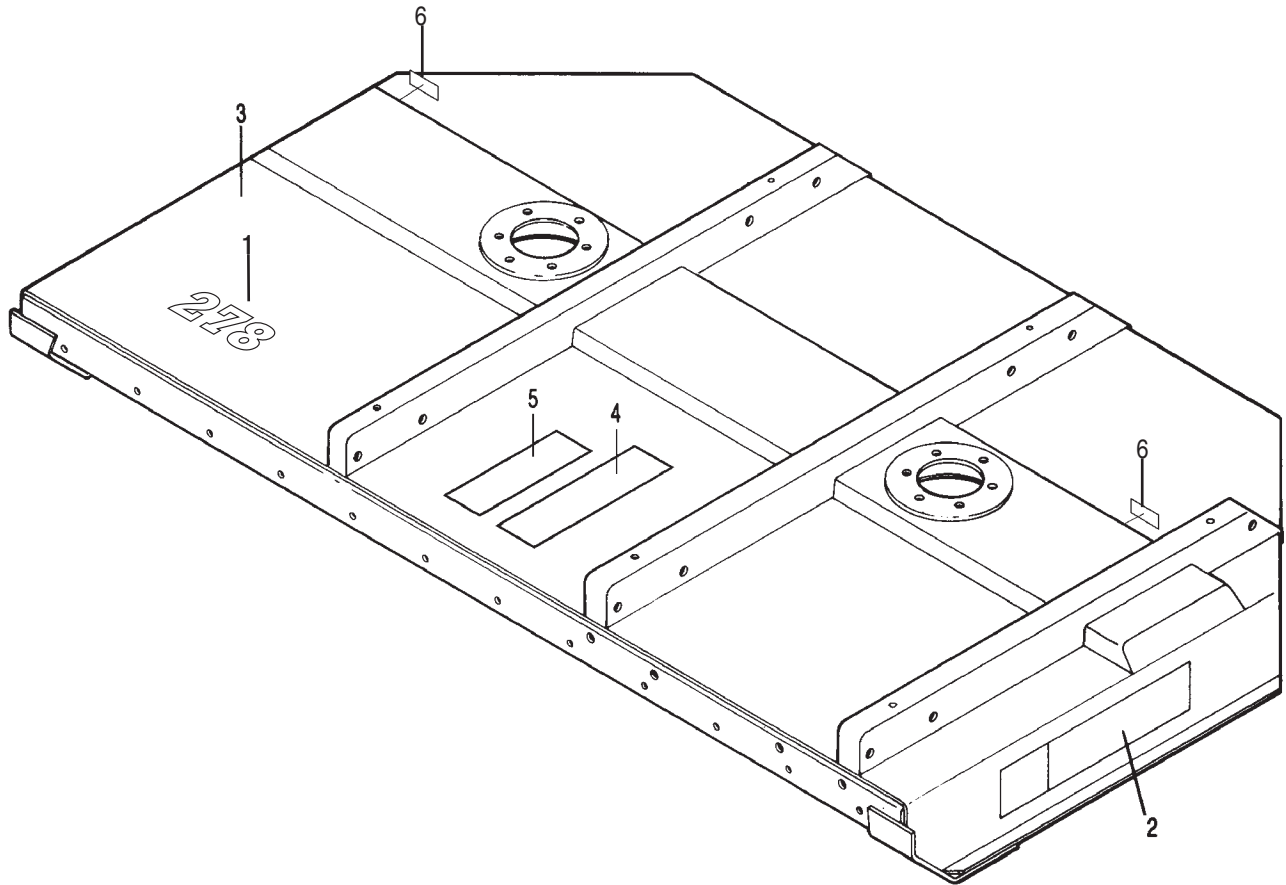
**ALPHABETICAL INDEX**

<b>CONTENTS</b>	<b>PAGE</b>
Axle Assembly.....	29-1-19
Base Assembly .....	29-1-1
Base Assembly Offset Models .....	29-1-2
Blade Holder Assembly .....	29-1-3
Caster Assembly .....	29-1-4
Chain Bundle & Deflector Kit.....	29-1-1
Driveshaft Lift Models (Bondioli).....	29-1-9
Driveshaft, Lift Models (Binacci).....	29-1-10
Driveshaft, Lift Models (EG) .....	29-1-22
Driveshaft, Pull Models (Bondioli).....	29-1-11, 29-1-12
Driveshaft, Pull Models (Iowa Ind. Hyd.) .....	29-1-21
Driveshaft, Pull Models (EG).....	29-1-23, 24
Driveshaft, Cross Shaft .....	29-1-13
Driveshaft, Torsion .....	29-1-14
Gearbox, 540 RPM for Center Lift & Pull Models.....	29-1-4
Gearbox, 540 RPM for Offset Lift & Pull Models .....	29-1-5
Gearbox, 1000 RPM for Center Lift & Pull Models.....	29-1-6
Gearbox, 1000 RPM for Offset Lift & Pull Models .....	29-1-7
Gearbox, Outboard Lift & Pull Models.....	29-1-8
Hydraulic Bundle & Hose Holder.....	29-1-21
Jackstand Assembly.....	29-1-5
Lift Assembly .....	29-1-15
Ratchet Assembly .....	29-1-18
Spindle & Hub Assembly .....	29-1-20
Stop Collar Kit .....	29-1-21
Tailwheel Mounts .....	29-1-16
Tire .....	29-1-20
Tongue & Linkage Assembly.....	29-1-18
Wheel .....	29-1-20



**BASE ASSEMBLY**  
**268R & 1268R**  
**278R & 1278R**

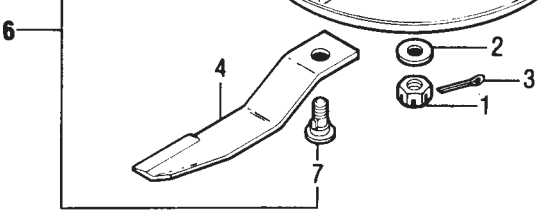
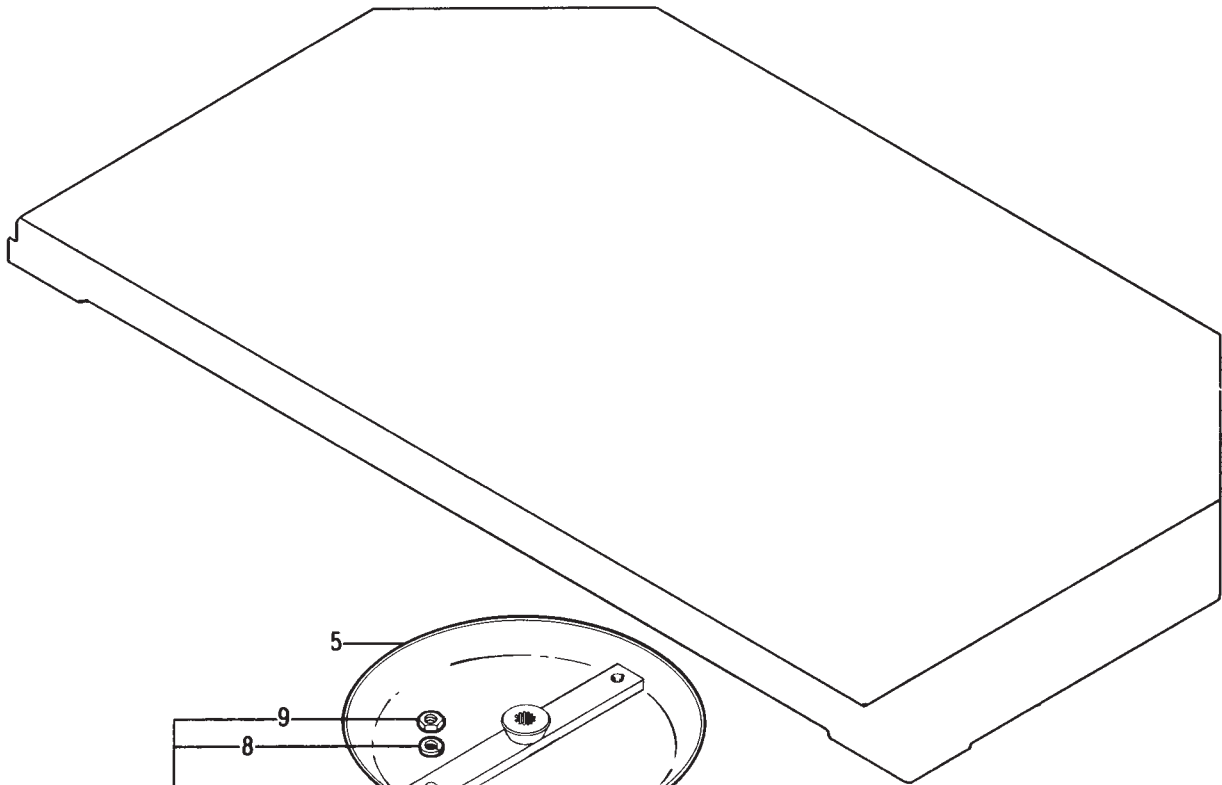
REF. NO.	PART NO.	QTY.	DESCRIPTION	REF. NO.	PART NO.	QTY.	DESCRIPTION
1	81592	1	Input Shield	20	82593	1	Front Deflector Kit
2	68551	1	Cover	21	82565	1	Belting
3	44215	4	Capscrew M8 x 1.25 x 15mm	22	20363	12	Locknut 3/8"
4	44216	4	Plain Washer M8	23	—	12	Flatwasher 3/8"
	67256	1	Chain Bundle, Complete	24	—	12	Capscrew 3/8" x 1-1/4" Gr. 5
	68829	1	Front Chain Bundle		66588	1	Skid Kit
	68832	1	Rear Chain Bundle	25	20363	4	Locknut 3/8"
5	20363	21	Locknut 3/8" - 16	26	44166	4	Clipped Share Bolt
6	—	18	Flatwasher 3/8"	27	64118	1	R.H. Skid Shoe
7	—	9	Capscrew 3/8" - 16 x 1" Gr. 5	28	64117	1	L.H. Skid Shoe
8	—	12	Capscrew 3/8" - 16 x 3" Gr. 5		67253	1	Decal Kit 268R/278R
9	66812	1	Front Chain Retainer		67254	1	Decal Kit 1268R/1278R
10	64267	33	Chain (9 Link)	29	67203	1	Model Decal 268
11	65278	92	Chain (5 Link)		91075	1	Model Decal 278
12	67265	1	Rear Chain Retainer	30	50061049	2	Bush Hog Decal
13	67273	1	Chain Retainer Rod	31	67251	1	Deck Assy. w/Decals 268R/278R
	82595	1	Deflector Kit (Complete)		67252	1	Deck Assy. w/Decals 1268R/1278R
14	82594	1	Rear Deflector Kit	32	—	12	Capscrew 5/8" - 11 UNC x 2" Gr. 5
15	82573	1	Rear Shield	33	20414	12	Flanged Locknut
16	—	11	Hex Nut 3/8"	34	50029417	1	Sheet Decal, 540 RPM
17	—	11	Lockwasher 3/8"		50029418	1	Sheet Decal, 1000 RPM
18	—	22	Flatwasher 3/8"	35	50029419	1	Sheet Decal
19	—	11	Capscrew 3/8" x 1" Gr. 5	36	50031212	1	Amber Reflector
				37	50031214	2	Red Reflector



**BASE ASSEMBLY**  
**268-OR & 1268-OR**  
**278-OR & 1278-OR**

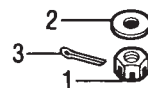
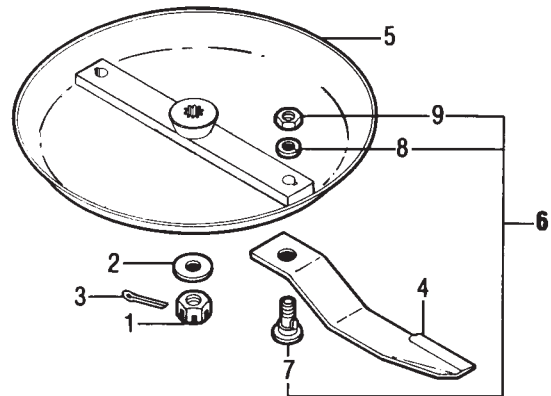
REF. NO.	PART NO.	QTY.	DESCRIPTION
	<b>67253</b>	<b>1</b>	<b>Decal Kit 268-OR/278-OR</b>
	<b>67254</b>	<b>1</b>	<b>Decal Kit 1268-OR/1278-OR</b>
1	67203	1	Model Decal 268
	91075	1	Model Decal 278
2	50061049	2	Bush Hog Decal
3	<b>67376</b>	<b>1</b>	<b>Deck Assy., w/Decals 268-OR/278-OR</b>
	<b>67377</b>	<b>1</b>	<b>Deck Assy., w/Decals 1268-OR/1278-OR</b>
4	50029417	1	Sheet Decal, 540 RPM
	50029418	1	Sheet Decal, 1000 RPM
5	50029419	1	Sheet Decal
6	50031214	2	Red Reflector

For replacement of Skid Shoes and Chains, see the parts break down on the preceeding page.



**RIGHT HAND BLADE HOLDER**  
Clockwise Rotation

REF. NO.	PART NO.	QTY.	DESCRIPTION
1	70076	1	Castle Nut
2	70077	1	Washer
3	70075	1	Cotter Pin
		1	<b>Blade Holder, R.H.</b>
4	67743	2	Blade C.W. Rotation
5	67777	1	Blade Pan Weldment
6	63607	1	<b>Blade Bolt Kit</b>
7	7919	2	Blade Bolt
8	20322	2	Lockwasher 1-1/8" Reg.
9	252	2	Hex Nut 1-1/8" - 12 UNF

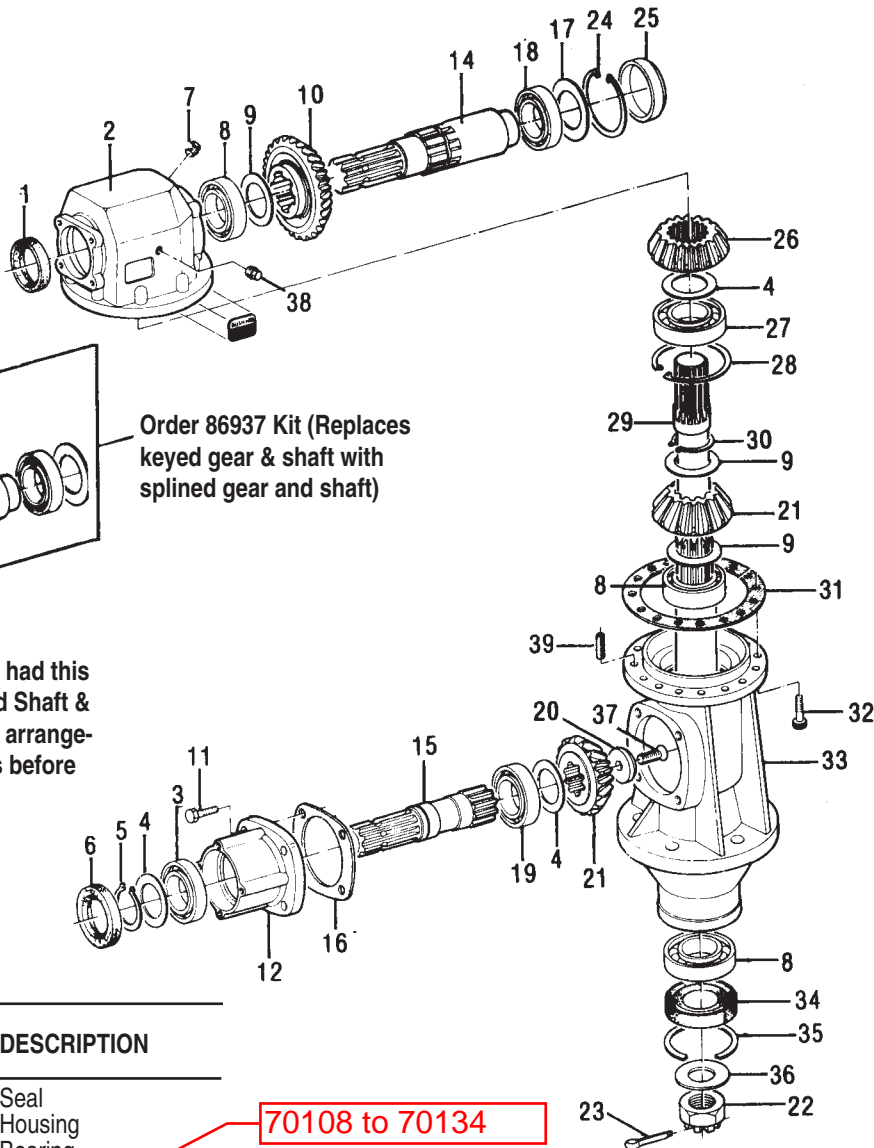


**LEFT HAND BLADE HOLDER**  
Counterclockwise Rotation

REF. NO.	PART NO.	QTY.	DESCRIPTION
1	70076	1	Castle Nut
2	70077	1	Washer
3	70075	1	Cotter Pin
		1	<b>Blade Holder, L.H.</b>
4	67744	2	Blade C.C.W. Rotation
5	67777	1	Blade Pan Weldment
6	63607	1	<b>Blade Bolt Kit</b>
7	7919	2	Blade Bolt
8	20322	2	Lockwasher 1-1/8" Reg.
9	252	2	Hex Nut 1-1/8" - 12 UNF

**70010 GEARBOX ASSEMBLY**  
For Center Lift  
540 RPM Gear Ratio 1:1.93

**70066 GEARBOX ASSEMBLY**  
For Center Pull Models  
540 RPM, Gear Ratio 1:1.93



Note: Some gearboxes had this arrangement of a Keyed Shaft & Gear. Make sure of the arrangement your Gearbox has before ordering repair parts.

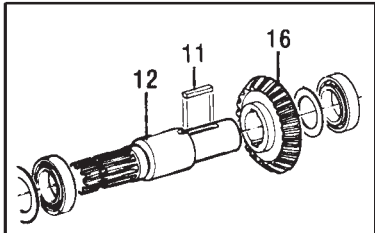
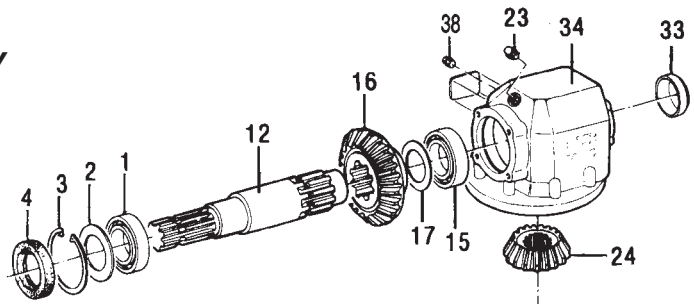
A/R - As Required

REF. NO.	PART NO.	QTY.	DESCRIPTION
1	70115	1	Seal
2	70268	1	Housing
3	70229	1	Bearing
4	70329	A/R	Shim .3mm Thick
	70330	A/R	Shim .4mm Thick
	70331	A/R	Shim .5mm Thick
	70332	A/R	Shim 1.3mm Thick
5	70110	1	Retaining Ring
6	70108	1	Oil Seal
7	70546	1	Vent Plug
8	70795	3	Bearing 30208
9	70337	A/R	Shim .3mm Thick
	70338	A/R	Shim .4mm Thick
	70339	A/R	Shim .5mm Thick
	70340	A/R	Shim 1.0mm Thick
10	70451	1	Splined Gear 27 Teeth
11	70113	4	Capscrew M12 x 25
12	70132	1	Shaft Housing
13	70118	1	Key
14	70272	1	Splined Shaft
15	70447	1	Shaft
16	70261	1	Gasket
17	70333	A/R	Shim .3mm Thick
	70334	A/R	Shim .4mm Thick
	70335	A/R	Shim .5mm Thick
	70336	A/R	Shim 1.0mm Thick
18	70256	1	Bearing 6208

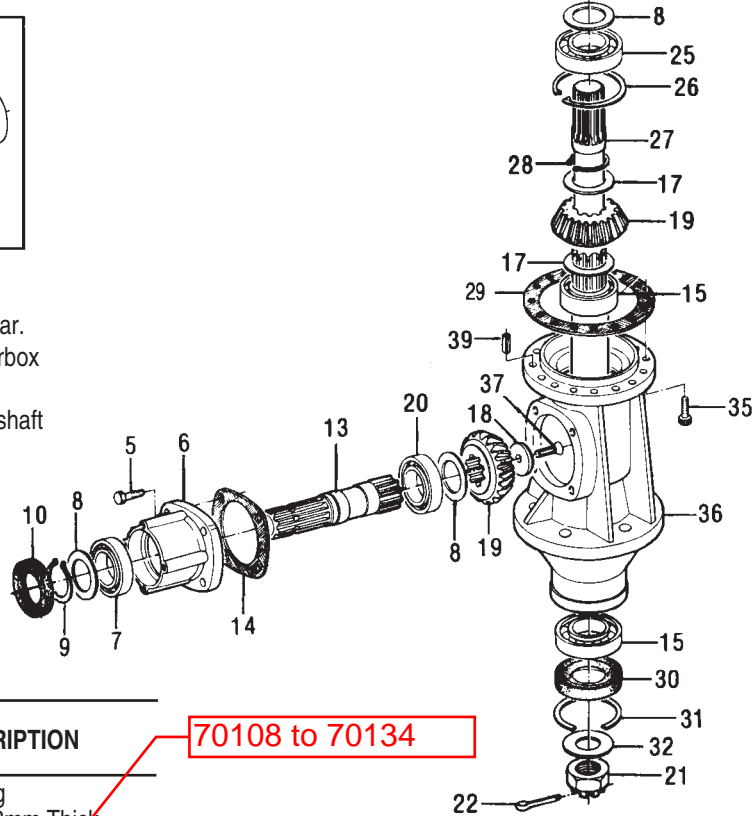
70108 to 70134

REF. NO.	PART NO.	QTY.	DESCRIPTION
19	70797	1	Bearing 30207
20	70446	1	Flatwasher
21	70249	2	Gear 18 Teeth
22	70076	1	Castle Nut M30 x 2
23	15473	1	Cotter Pin 1/4 x 2-1/2"
24	70121	1	Retaining Ring
25	70122	1	Gripping Cap
26	70123	1	Pinion 14 Teeth
27	70127	1	Bearing 6407
28	70128	1	Retaining Ring
29	70265	1	Shaft
30	70250	1	Retaining Ring
31	70266	1	Gasket
32	70302	8	Capscrew M10 x 25
33	70270	1	Housing
34	70242	1	Seal
35	70079	1	Shoulder Ring
36	70077	1	Spring Washer
37	70445	1	Socket Screw
38	70292	1	Oil Level Plug
39	70304	2	Spring Pin

**70011 GEARBOX ASSEMBLY**  
**For Offset Lift & Pull Models**  
**540 RPM Gear Ratio 1:1.93**



**Note:** Some Gearboxes had this arrangement of a Keyed Shaft & Gear. Verify which arrangement your gearbox has before ordering repair parts. 86938 Kit replaces keyed gear and shaft with splined gear and shaft.



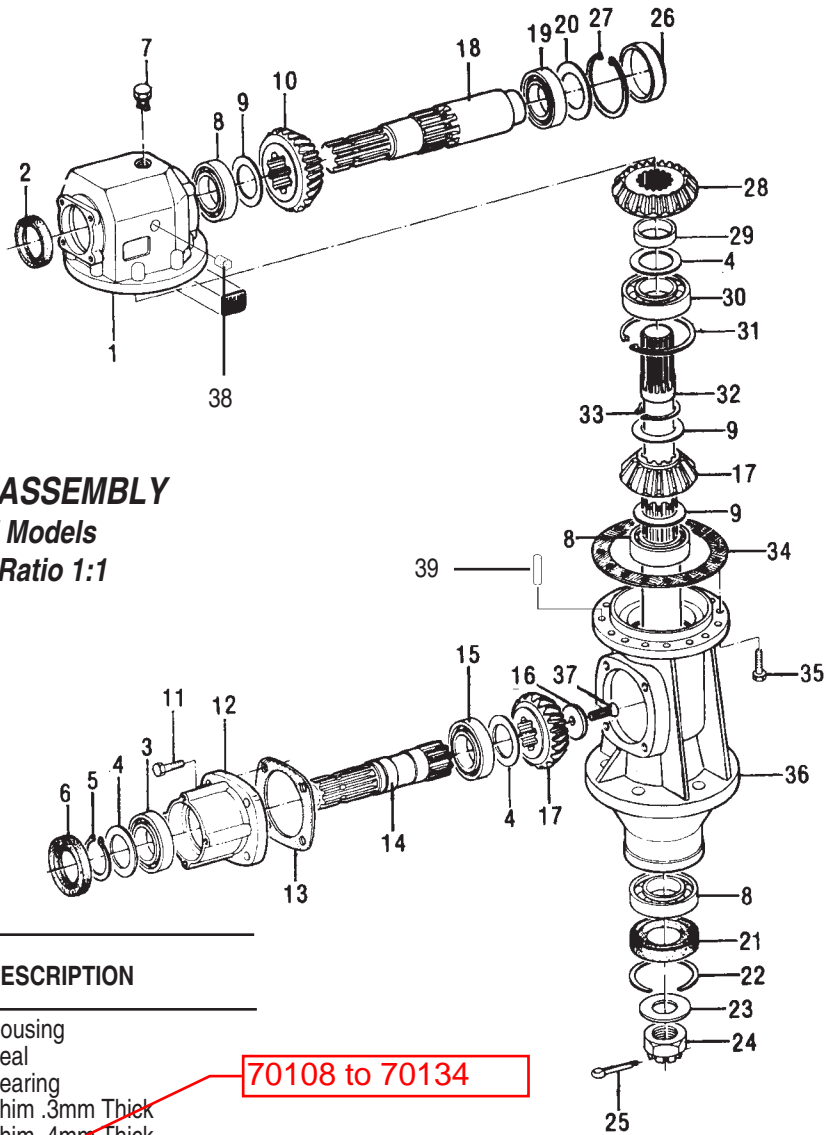
A/R - As Required

REF. NO.	PART NO.	QTY.	DESCRIPTION
1	70256	1	Bearing
2	70333	A/R	Shim .3mm Thick
	70334	A/R	Shim .4mm Thick
	70335	A/R	Shim .5mm Thick
	70336	A/R	Shim 1.0mm Thick
3	70121	1	Retaining Ring
4	70145	1	Oil Seal
5	70113	4	Capscrew M12 x 25
6	70132	1	Shaft Housing
7	70229	1	Bearing
8	70329	A/R	Shim .3mm Thick
	70330	A/R	Shim .4mm Thick
	70331	A/R	Shim .5mm Thick
	70332	A/R	Shim 1.3mm Thick
9	70110	1	Retaining Ring
10	70108	1	Oil Seal
11	70118	1	Key
12	70259	1	Splined Shaft
13	70447	1	Shaft
14	70261	1	Gasket
15	70795	3	Bearing 30208
16	70451	1	Splined Gear 27 Teeth
17	70337	A/R	Shim .3mm Thick
	70338	A/R	Shim .4mm Thick
	70339	A/R	Shim .5mm Thick
	70340	A/R	Shim 1.0mm Thick
18	70446	1	Washer

70108 to 70134

REF. NO.	PART NO.	QTY.	DESCRIPTION
19	70249	2	Gear 18 Teeth
20	70797	1	Bearing 30207
21	70076	1	Castle Nut M30 x 2
22	15473	1	Cotter Pin 1/4 x 2-1/2"
23	70546	1	Vent Plug
24	70123	1	Pinion 14 Teeth
25	70127	1	Bearing 6407
26	70128	1	Retaining Ring
27	70265	1	Shaft
28	70250	1	Retaining Ring
29	70266	1	Gasket
30	70242	1	Seal
31	70079	1	Shoulder Ring
32	70077	1	Spring Washer
33	70267	1	Gripping Cap
34	70268	1	Housing
35	70302	8	Capscrew M10 x 25
36	70270	1	Housing
37	70445	1	Socket Screw
38	70292	1	Oil Lever Plug
39	70304	2	Spring Pin





**70199 GEARBOX ASSEMBLY**  
 For Center Pull Models  
 1000 RPM Gear Ratio 1:1

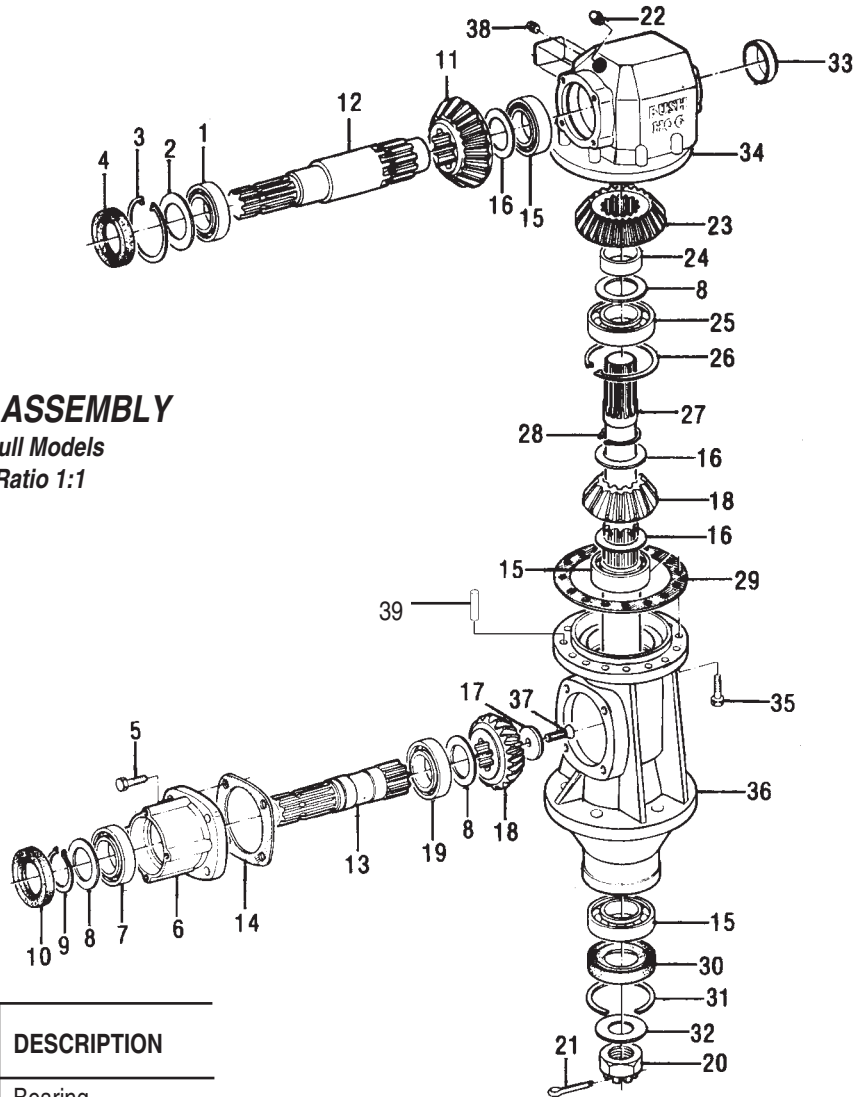
A/R - As Required

REF. NO.	PART NO.	QTY.	DESCRIPTION
1	70268	1	Housing
2	70115	1	Seal
3	70229	1	Bearing
4	70329	A/R	Shim .3mm Thick
	70330	A/R	Shim .4mm Thick
	70331	A/R	Shim .5mm Thick
	70332	A/R	Shim 1.3mm Thick
5	70110	1	Retaining Ring
6	70108	1	Oil Level Seal
7	70546	1	Vent Plug
8	70795	3	Bearing 30208
9	70337	A/R	Shim .3mm Thick
	70338	A/R	Shim .4mm Thick
	70339	A/R	Shim .5mm Thick
	70340	A/R	Shim 1.3mm Thick
10	70258	1	Gear 18 Teeth
11	70113	4	Capscrew M12 x 25
12	70132	1	Shaft Housing
13	70261	1	Gasket
14	70447	1	Shaft
15	70797	1	Bearing
16	70446	1	Washer
17	70249	2	Gear 18 Teeth
18	70272	1	Shaft
19	70256	1	Bearing 6208
20	70333	A/R	Shim .3mm Thick
	70334	A/R	Shim .4mm Thick
	70335	A/R	Shim .5mm Thick
	70336	A/R	Shim 1.0mm Thick

70108 to 70134

REF. NO.	PART NO.	QTY.	DESCRIPTION
21	70242	1	Seal
22	70079	1	Shoulder Ring
23	70077	1	Spring Washer
24	70076	1	Castle Nut
25	15473	1	Cotter Pin 1/4 x 2-1/2"
26	70122	1	Gripping Cap
27	70121	1	Retaining Ring
28	70263	1	Gear 18 Teeth
29	70264	1	Spacer Ring
30	70127	1	Bearing 6407
31	70128	1	Retaining Ring
32	70265	1	Shaft
33	70250	1	Retaining Ring
34	70266	1	Gasket
35	70302	8	Capscrew M10 x 25
36	70270	1	Housing
37	70445	1	Socket Screw
38	70292	1	Oil Level Plug
39	70304	2	Spring Pin





### 70013 GEARBOX ASSEMBLY

For Offset Lift & Pull Models  
1000 RPM Gear Ratio 1:1

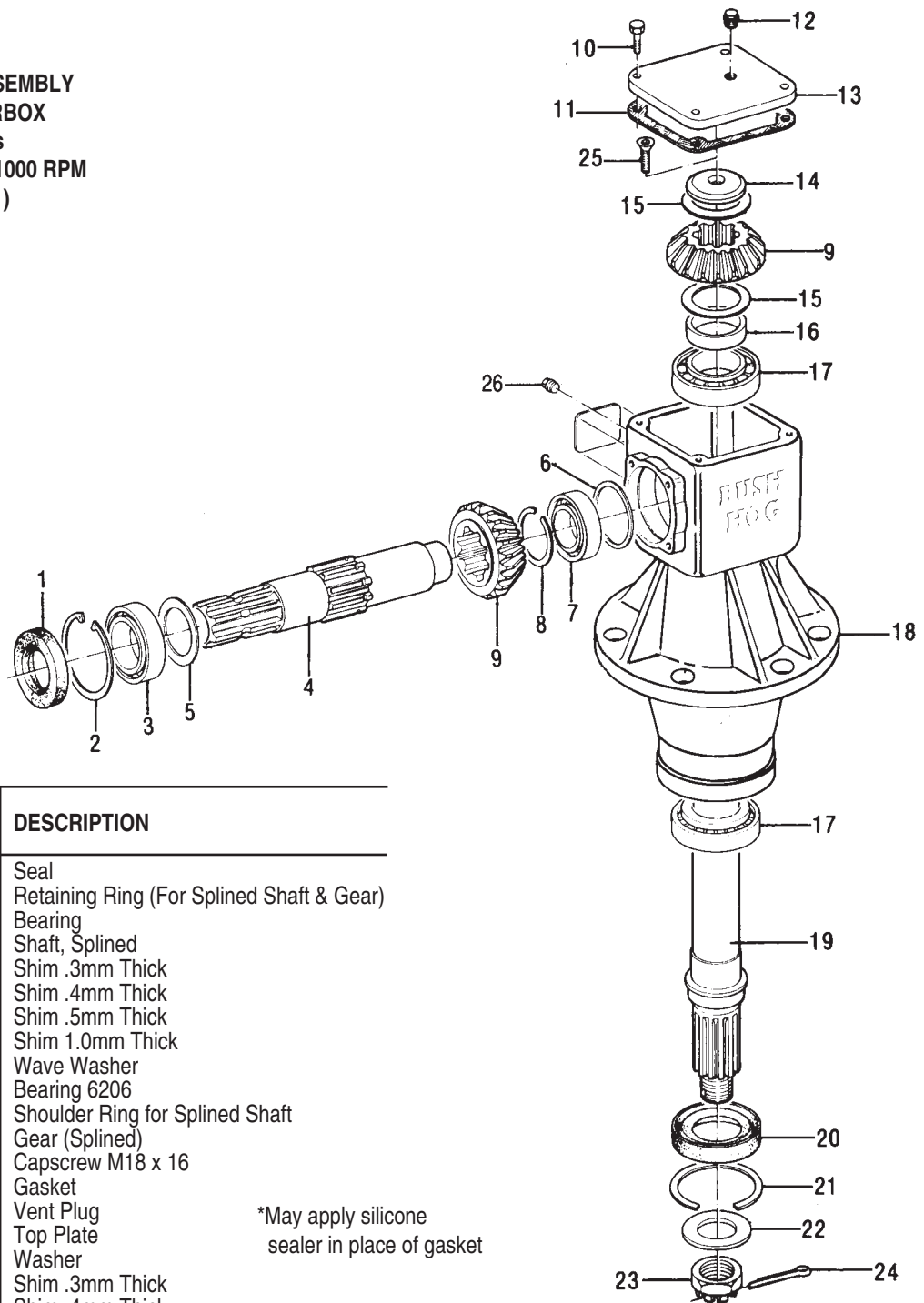
A/R - As Required

REF. NO.	PART NO.	QTY.	DESCRIPTION
1	70256	1	Bearing
2	70333	A/R	Shim .3mm Thick
	70334	A/R	Shim .4mm Thick
	70335	A/R	Shim .5mm Thick
	70336	A/R	Shim 1.0mm Thick
3	70121	1	Retaining Ring
4	70145	1	Oil Seal
5	70113	4	Capscrew M12 x 25
6	70132	1	Shaft Housing
7	70229	1	Bearing
8	70329	A/R	Shim .3mm Thick
	70330	A/R	Shim .4mm Thick
	70331	A/R	Shim .5mm Thick
	70332	A/R	Shim 1.3mm Thick
9	70110	1	Retaining Ring
10	70108	1	Oil Seal
11	70258	1	Gear 18 Teeth
12	70259	1	Shaft
13	70447	1	Shaft
14	70261	1	Gasket
15	70795	3	Bearing
16	70337	A/R	Shim .3mm Thick
	70338	A/R	Shim .4mm Thick
	70339	A/R	Shim .5mm Thick
	70340	A/R	Shim 1.3mm Thick
17	70446	1	Washer
18	70249	2	Gear 18 Teeth

70108 to 70134

REF. NO.	PART NO.	QTY.	DESCRIPTION
19	70797	1	Bearing
20	70076	1	Castle Nut M30 x 2
21	15473	1	Cotter Pin 1/4 x 2-1/2"
22	70546	1	Vent Plug
23	70263	1	Gear 18 Teeth
24	70264	1	Spacer Ring
25	70127	1	Bearing
26	70128	1	Retaining Ring
27	70265	1	Shaft
28	70250	1	Retaining Ring
29	70266	1	Gasket
30	70242	11	Seal
31	70079	1	Shoulder Ring
32	70077	1	Spring Washer
33	70267	1	Gripping Cap
34	70268	1	Housing
35	70302	8	Capscrew M10 x 25
36	70270	1	Housing
37	70445	1	Socket Screw
38	70292	1	Oil Level Plug
39	70304	2	Spring Pin

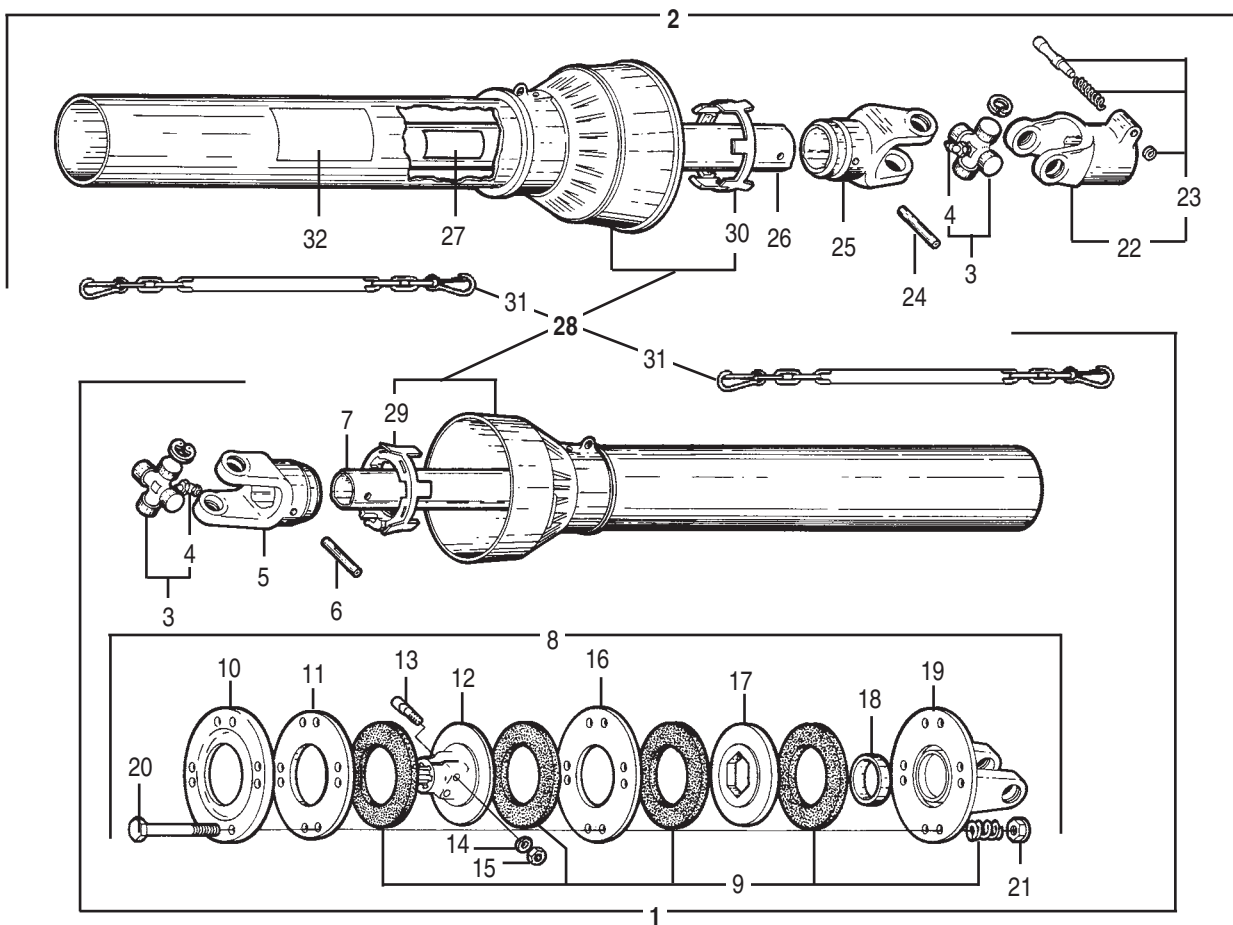
**70004 GEARBOX ASSEMBLY  
OUTBOARD GEARBOX  
For All Models  
Lift & Pull Type 540 & 1000 RPM  
(Gear Ratio 1:1)**



A/R - As Required

REF. NO.	PART NO.	QTY.	DESCRIPTION
1	70134	1	Seal
2	70133	1	Retaining Ring (For Splined Shaft & Gear)
3	70229	1	Bearing
4	70247	1	Shaft, Splined
5	70329	A/R	Shim .3mm Thick
	70330	A/R	Shim .4mm Thick
	70331	A/R	Shim .5mm Thick
	70332	A/R	Shim 1.0mm Thick
6	70139	1	Wave Washer
7	70234	1	Bearing 6206
8	70248	1	Shoulder Ring for Splined Shaft
9	70249	2	Gear (Splined)
10	70326	4	Capscrew M18 x 16
*11	70152	1	Gasket
12	70546	1	Vent Plug
13	70092	1	Top Plate
14	70442	1	Washer
15	70337	A/R	Shim .3mm Thick
	70338	A/R	Shim .4mm Thick
	70339	A/R	Shim .5mm Thick
	70340	A/R	Shim 1.0mm Thick
16	70251	1	Spacer Ring
17	70795	2	Bearing
18	70241	1	Housing
19	70440	1	Shaft
20	70242	1	Seal
21	70079	1	Lock Ring
22	70077	1	Spacer Washer
23	70076	1	Castle Nut M30 x 2
24	15473	1	Cotter Pin 1/4 x 2-1/2"
25	70441	1	Socket Head Screw
26	70292	1	Oil Level Plug

\*May apply silicone sealer in place of gasket



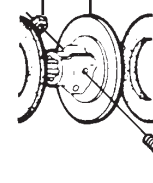
**THIS DRIVESHAFT REPLACED BY 88611 DRIVESHAFT (MFD. BY BINACCHI)  
86579 DRIVESHAFT ASSEMBLY (540 RPM)**

Replaces the 66733 Driveshaft Assembly  
Used On: Lift Models – Regular & Quick Hitch, Center Lift & Offset Lift

**86595 DRIVESHAFT ASSEMBLY (1000 RPM)**

Replaces the 66732 Driveshaft Assembly  
Used On: Lift Models – Regular & Quick Hitch, Offset Only

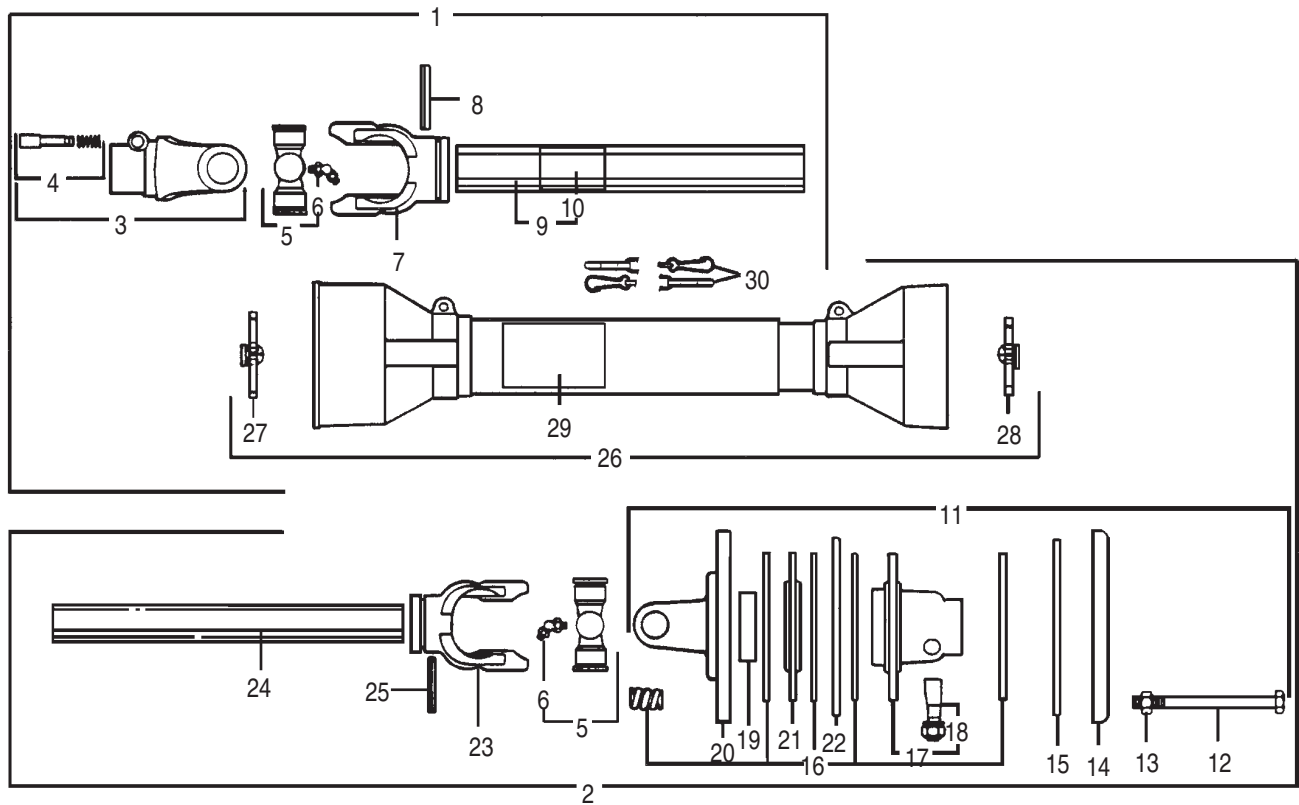
44229 Hex Nut  
M12 x 1.25



Order 86637 Brake Lining  
Repair Kit (Do not order hex  
nut & capscrew when  
ordering this kit,  
pin furnished.)

44228 Capscrew  
M12 x 1.25 x 70

REF. NO.	PART NO.	QTY.	DESCRIPTION	REF. NO.	PART NO.	QTY.	DESCRIPTION
1	86632	1	Shielded Inner Half Assy.	19	64665	1	Flanged Yoke
2	67029	1	Shielded Outer Half Assy. (540 RPM)	20	44159	8	Capscrew M10 x 1.5 x 100 Gr.8.8
	67045	1	Shielded Outer Half Assy. (1000 RPM)	21	44154	8	Hex Locknut M10 x 1.5
3	64663	2	Cross Bearing Kit	22	64660	1	Tractor Yoke 1-3/8", 6 Spline (540 RPM)
4	63956	2	Grease Fitting		64671	1	Tractor Yoke 1-3/8", 21 Spline (1000 RPM)
5	66870	1	Yoke, Inner Tube	23	63945	2	Q.D. Pin Kit
6	66869	1	Roll Pin, Inner Tube	24	66866	1	Roll Pin, Outer Tube
7	66868	1	Inner Tube	25	66865	1	Yoke, Outer Tube
8	86567	1	Torque Limiter Assy.	26	67006	1	Outer Tube
9	91563	1	Torque Limiter Disc Kit	27	78786	1	Danger Decal
10	64649	1	Pressure Plate	28	67028	1	Safety Guard Assy.
11	64650	1	Inner Plate 4mm	29	66876	1	Inner Shield Bearing
12	86570	1	Brake Lining Support w/ Pivot Assy.	30	66875	1	Outer Shield Bearing
13	90938	1	Pivot Assy. w/ Fasteners	31	64814	2	Safety Chain
14	N/A	1	Flatwasher	32	64571	1	Safety Decal
15	N/A	1	Hex Nut M12 x 1.75				
16	64650	1	Inner Plate 4mm				
17	64654	1	Intermediate Support				
18	64828	1	Collar				



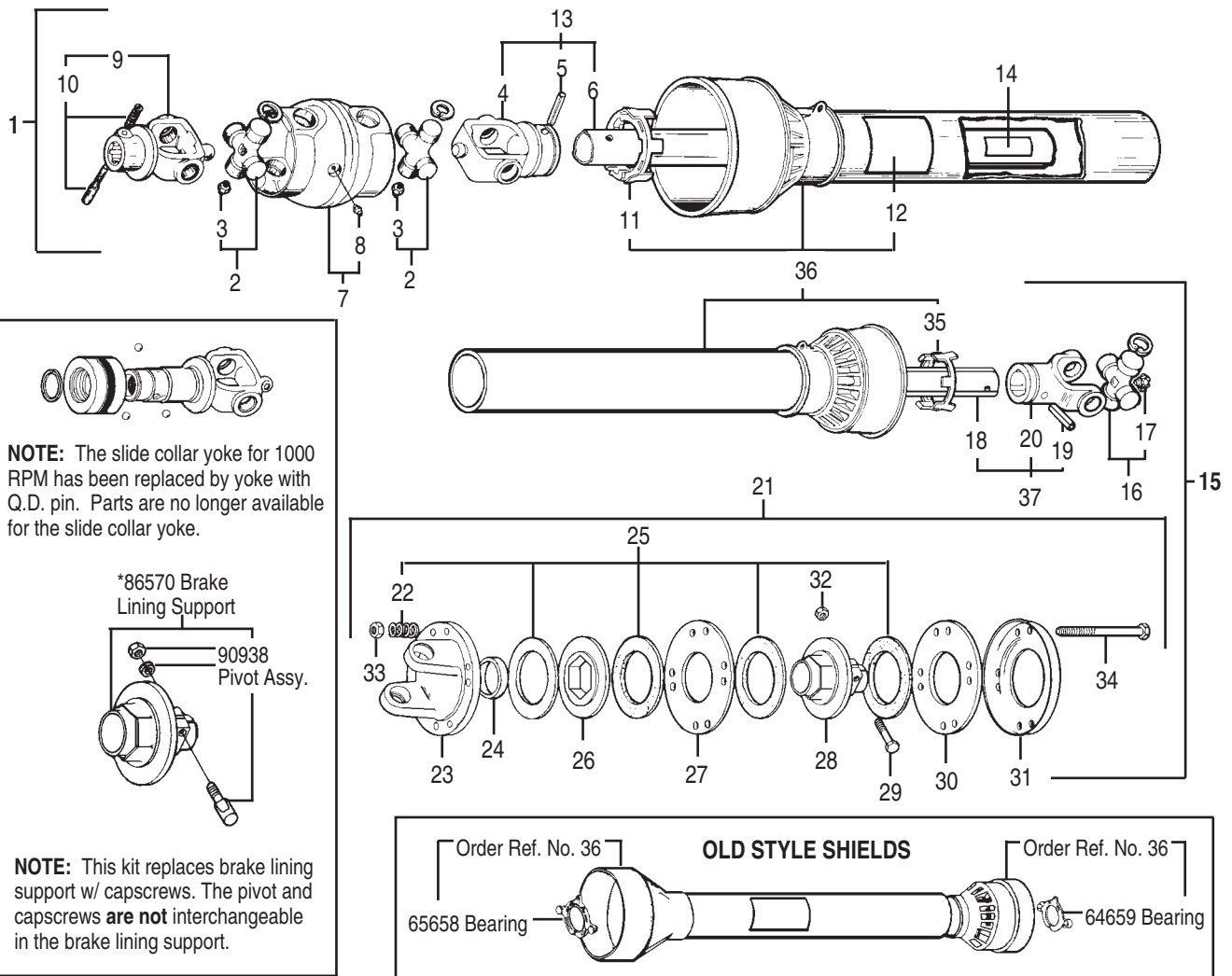
**88611 DRIVESHAFT ASSEMBLY 540 RPM (MFD. BY BINACCHI)**

Replaced by 50034237 Driveshaft (Binacchi)

May substitute 76743 Driveshaft (Comer/EG)

REF. NO.	PART NO.	QTY.	DESCRIPTION
1	90272	1	Front Half, Complete
2	90273	1	Rear Half, Complete
3	64660	1	Tractor Yoke, 1-3/8" - 6 Spline
4	63945	1	Q.D. Pin Kit
5	64663	2	Cross Bearing Kit
6	63956	2	Grease Fitting
7	66865	1	Yoke, Outer Tube
8	66866	1	Flexible Pin
9	67006	1	Outer Tube
10	78786	1	Danger Decal
11	86567	1	Torque Limiter
12	44159	8	Capscrew M10 x 100
13	44154	8	Locknut M10
14	64649	1	Pressure Plate
15	64650	1	Inner Plate
16	91563	1	Torque Limiter Kit

REF. NO.	PART NO.	QTY.	DESCRIPTION
17	86570	1	Hub w/ Pivot
18	90938	1	Pivot Assy.
	—	1	Flatwasher M12
	—	1	Hex Nut M12 x 1.75
19	64828	1	Bushing
20	64655	1	Flange
21	64654	1	Brake Lining Support
22	64650	1	Inner Plate 4mm
23	66109	1	Yoke, Inner Tube
24	66868	1	Inner Tube
25	66869	1	Flexible Pin
26	90274	1	Shield Assy.
27	90270	1	Shield Bearing, Outer Shield
28	50050676	1	Shield Bearing, Inner Shield
29	78608	1	Danger Decal
30	64814	2	Safety Chain



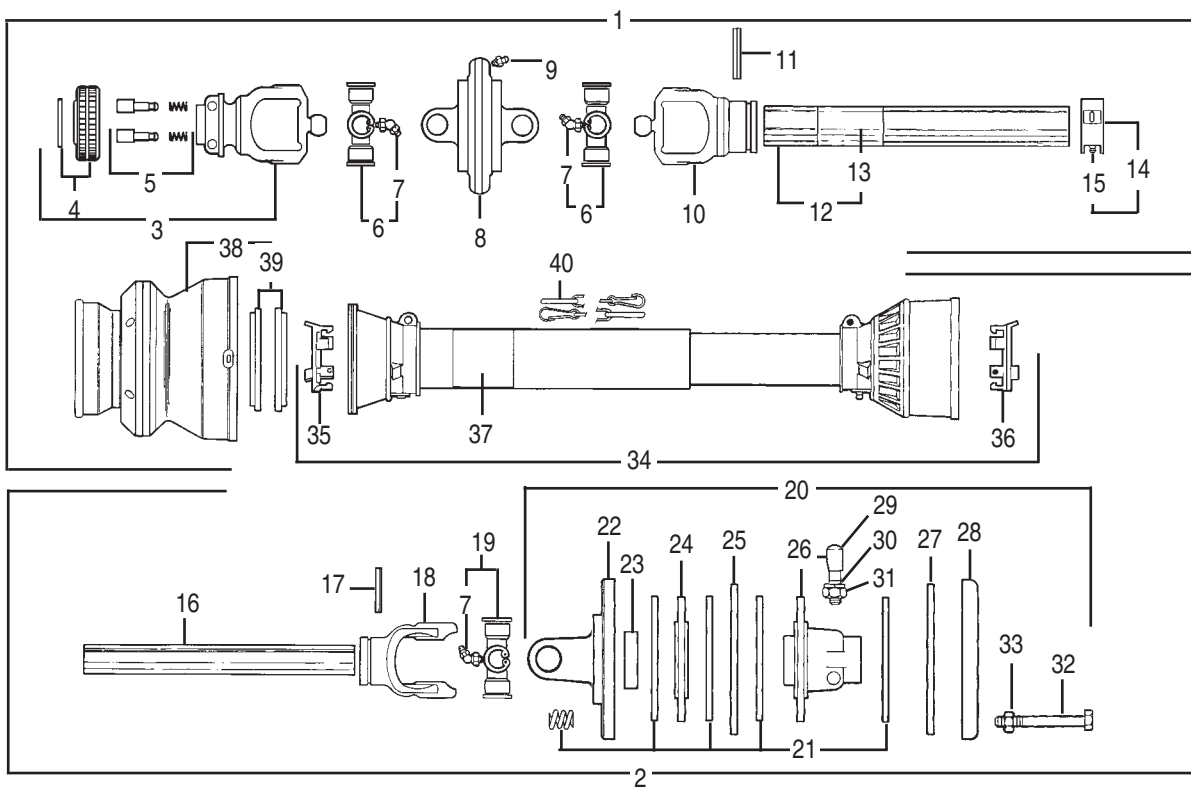
**66734 DRIVESHAFT ASSY. (1000 RPM) FOR PULL & OFFSET PULL MODELS**  
**ORDER 86582 FOR REPLACEMENT OF COMPLETE DRIVESHAFT**

**66731 DRIVESHAFT ASSEMBLY (540 RPM) FOR CENTER PULL & OFFSET PULL MODELS**  
**ORDER 86581 FOR REPLACEMENT OF COMPLETE DRIVESHAFT**

REF. NO.	PART NO.	QTY.	DESCRIPTION
1	*	1	Shielded Outer Half (540 RPM)
	**	1	Shielded Outer Half (1000 RPM)
2	68987	2	Cross Bearing Kit
3	63946	1	Grease Fitting
4	N/A	1	Yoke
5	66866	1	Roll Pin
6	67061	1	Outer Tube
7	N/A	1	Central Body Assembly
8	63946	1	Grease Fitting
9	N/A	1	Q.D. Yoke Assy. (540 RPM)
	N/A	1	Q.D. Yoke Assy. (1000 RPM)
10	63945	1	Q.D. Pin Kit
11	66875	1	Collar
12	64571	1	Safety Decal
13	*	1	Outer Yoke & Tube Assy.
14	78786	1	Danger Decal
15	67067	1	Shielded Inner Half
16	64663	1	Cross Bearing Kit
17	63956	1	Grease Fitting
18	67049	1	Inner Tube

REF. NO.	PART NO.	QTY.	DESCRIPTION
19	66869	1	Roll Pin
20	66870	1	Yoke for Inner Tube
21	67521	1	Torque Limiter Assy.
22	64657	8	Spring 6mm
23	64655	1	Flanged Yoke
24	64828	1	Collar
25	91563	1	Lining Kit
26	64654	1	Intermediate Brake Sup.
27	64653	1	Inner Plate 3mm
*28	86570	1	Brake Lining Support
*29	44228	2	Bolt
30	64650	1	Inner Plate 4mm
31	64649	1	Pressure Plate
*32	44229	2	Nut
33	44154	8	Nut (Top Lock)
34	44159	8	Bolt
35	66876	1	Collar
36	67065	1	Safety Guard Assy.
37	67056	1	Yoke & Inner Tube Assy.

\* Order (1) 86527 and (1) 86528  
\*\* Order (1) 86524 and (1) 86827



**86581 80° C.V. DRIVELINE  
1-3/8" - 6 SPLINE - 540 RPM**

(Mfd. by Bondioli & Pavesi)

Replaces 66731 70° Driveline Assembly  
Center Pull & Offset Pull

May substitute 76237 Driveline (Mfd. by EG)

**86582 80° C.V. DRIVELINE  
1-3/8" - 21 SPLINE - 1000 RPM**

(Mfd. by Bondioli & Pavesi)

Replaces 66734 70° Driveline Assy.  
Center Pull & Offset Pull

May substitute 76236 Driveline (Mfd. by EG)

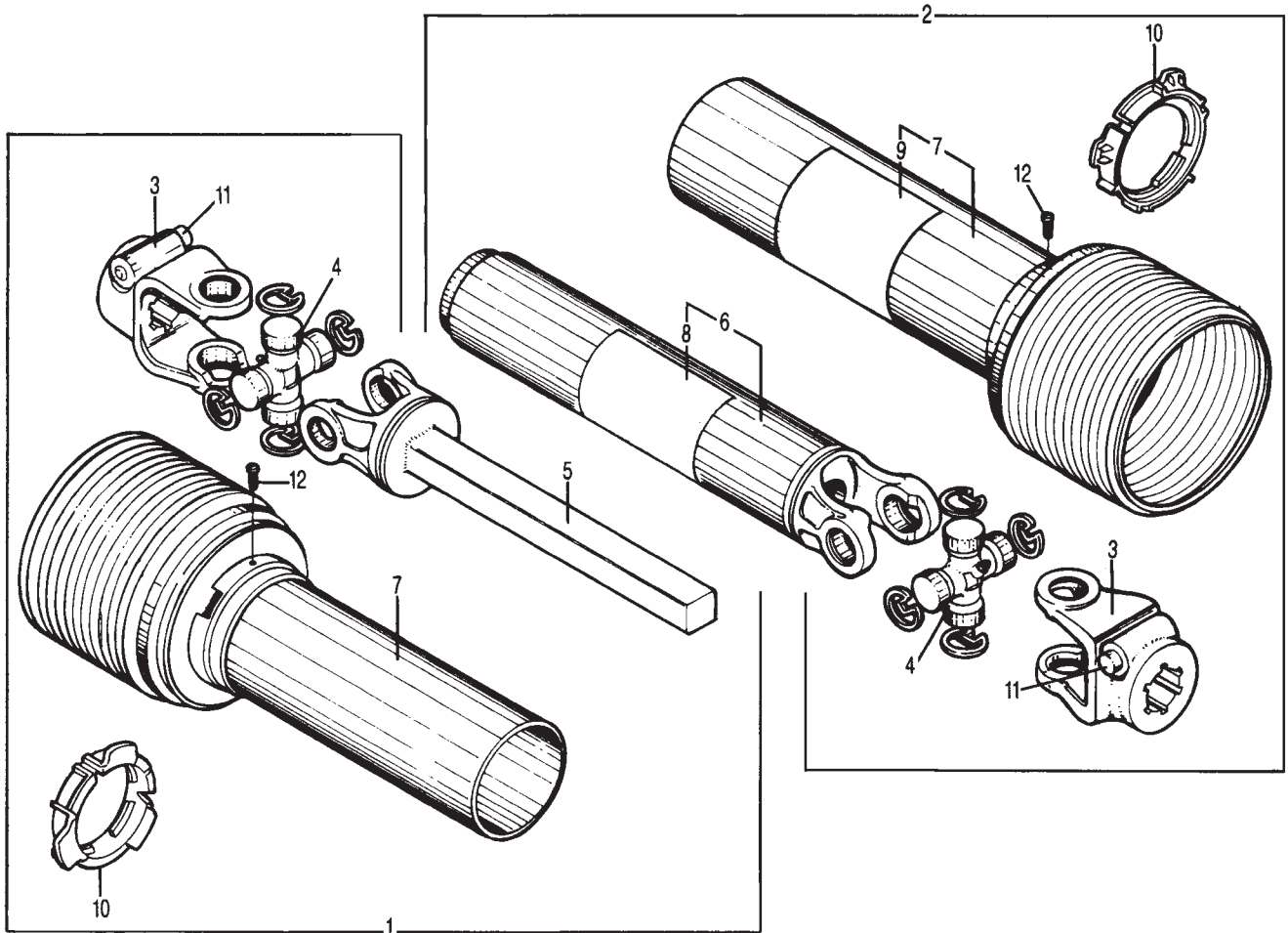
**Used On Models:**

268 Serial Number 11-04220 and Above

268-O Serial Number 11-00134 and Above

REF. NO.	PART NO.	QTY.	DESCRIPTION	REF. NO.	PART NO.	QTY.	DESCRIPTION
1	86717	1	Front Half Assy. (540 RPM)	20	86567	1	Torque Limiter Assy.
	86788	1	Front Half Assy. (1000 RPM)	21	91563	1	Torque Limiter Kit
2	86786	1	Rear Half Assy.	22	64655	1	Yoke Flange
3	86527	1	Yoke, Tractor	23	64828	1	Bushing
			1-3/8", 6 Spline (540 RPM)	24	64654	1	Driving Plate
	86510	1	Yoke, Tractor	25	64653	1	Inner Plate
			1-3/8", 21 Spline (1000 RPM)	26	86570	1	Brake Lining Support w/ Pivot
4	50042366	1	Hub	27	64650	1	Inner Plate
5	86519	2	Q.D. Pin Kit (1000 RPM & 540 RPM)	28	64649	1	Pressure Plate
6	86511	2	Cross Bearing Kit	29	90938	1	Pivot Assy.
7	63956	3	Grease Fitting	30	—	1	Flatwasher M12
8	86512	1	Central Body	31	—	1	Hex Nut M12 x 1.75
9	63946	1	Grease Nipple	32	44159	8	Capscrew
10	86513	1	Yoke for Outer Tube				M10 x 1.5 x 100 Gr.8.8
11	66866	1	Flexible Pin for Outer Tube	33	44154	8	Locknut M10 x 1.5
12	86714	1	Outer Cardan Tube	34	86787	1	Safety Guard Assy.
13	78786	1	Danger Decal	35	66875	1	Outer Shield Bearing
14	86331	1	Plastic Ring	36	66876	1	Inner Shield Bearing
15	86330	1	Grease Nipple	37	78608	1	Danger Decal
16	86715	1	Inner Cardan Tube	38	86753	1	Complete Shell
17	66869	1	Flexible Pin	39	86517	1	Ring Bearing
18	66870	1	Yoke, Inner Tube	40	64814	2	Complete Chain
19	64663	1	Cross Bearing Kit				



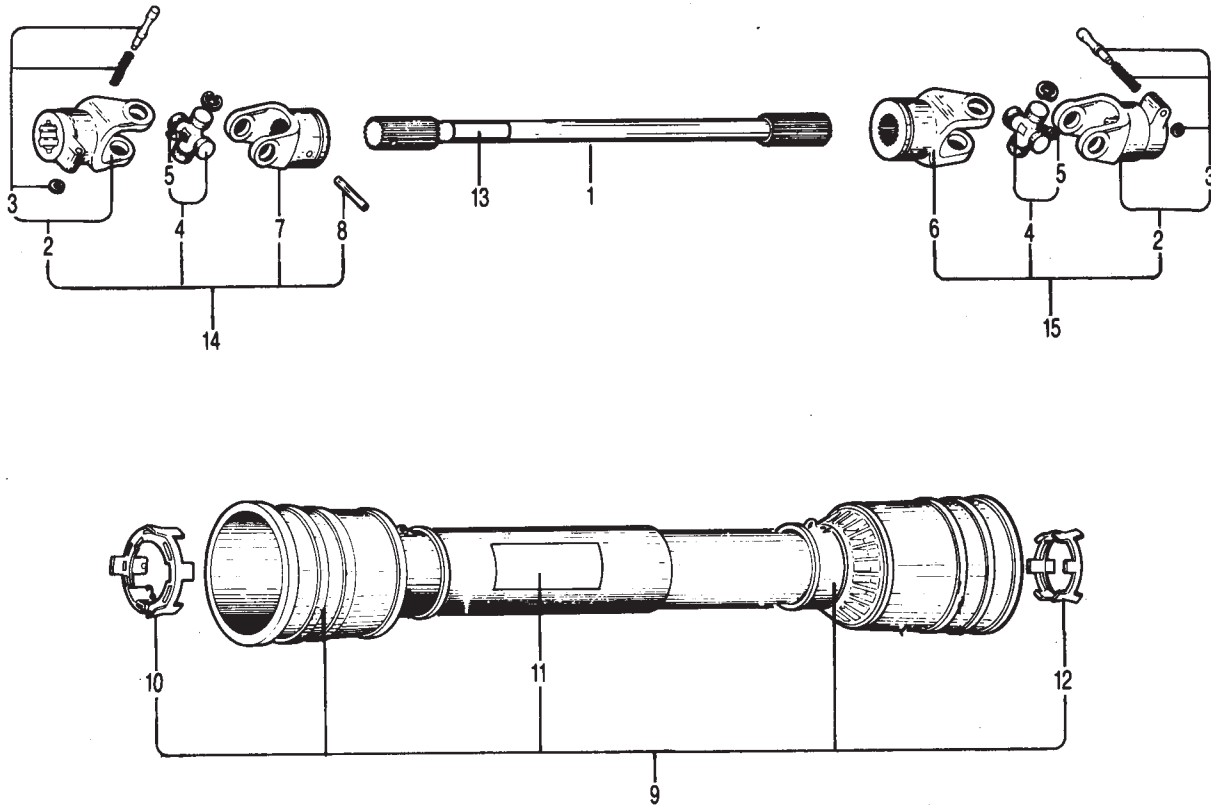


**87068 CROSS SHAFT ASSEMBLY  
WITH RUBBER ELEMENT**

Mfd. by Walterscheid  
Replaces 67035 driveshaft.

REF. NO.	PART NO.	QTY.	DESCRIPTION
1	87071	1	Shielded Inner Half
2	87072	1	Shielded Outer Half
3	64692	2	Yoke 1-3/8" - 6 Splined
4	64694	2	Cross & Bearing Kit
5	87069	1	Yoke & Bar
6	87070	1	Yoke & Bar
7	87073	1	Shield Kit w/Bearings
8	78786	1	Inner Decal
9	78608	1	Outer Decal
10	87074	2	Bearing Ring
11	63266	2	Q.D. Pin Kit
12	83021	2	Screw



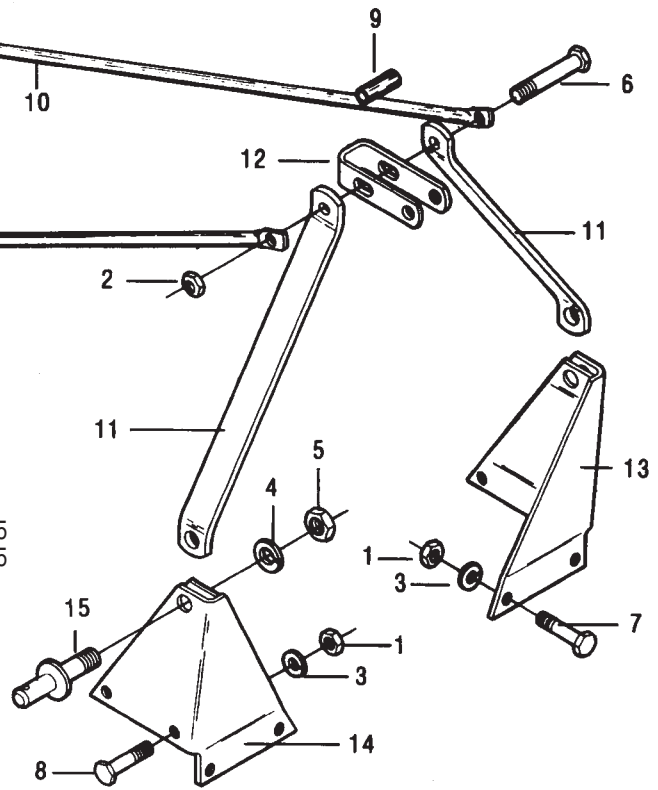


**(BONDIOLI & PAVESI)**  
**67035 TORSION DRIVESHAFT**  
**FOR ALL MODELS**  
 For Replacement of Complete Shaft Order 87068

REF. NO.	PART NO.	QTY.	DESCRIPTION
1	68371	1	Torsion Bar
2	64692	2	Q.D. Yoke Assy.
3	63945	2	Q.D. Pin Kit
4	64694	2	Cross Bearing Kit
5	63956	2	Grease Fitting
6	68370	1	Inner Yoke
7	68373	1	Inner Yoke for Dowel Spring
8	68372	1	Dowel Spring
9	68378	1	Safety Guard Assy.
10	66120	1	Outer Guard Bearing
11	64571	1	Danger Decal
12	66117	1	Inner Guard Bearing
13	78786	1	Danger Decal
14	68379	1	Cross & Yoke w/Dowel Assy.
15	68380	1	Cross & Yoke Assy.

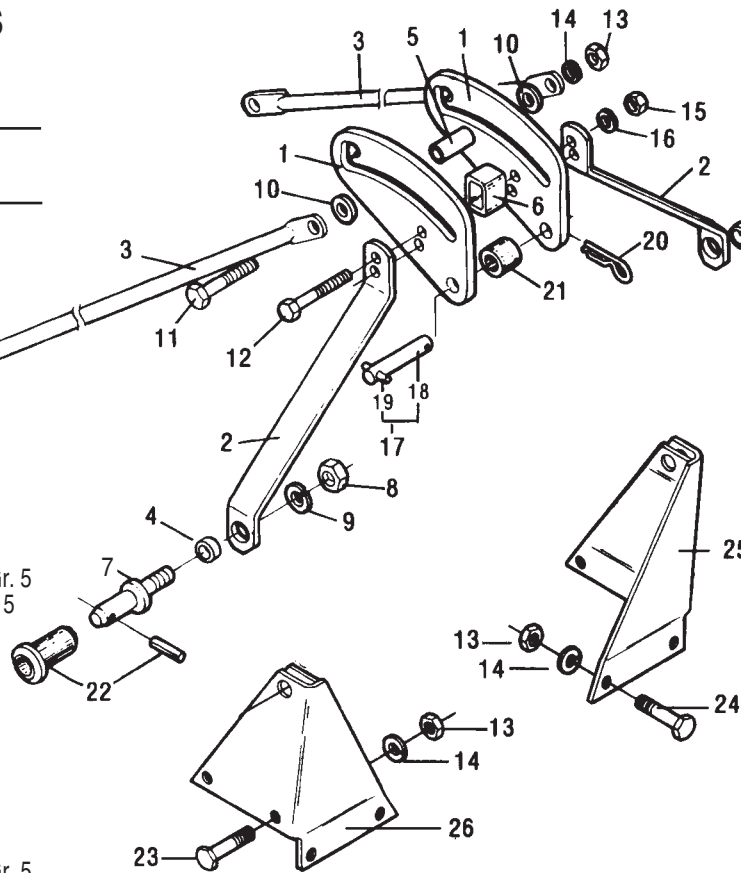
### 3 POINT LIFT ASSEMBLY CATEGORY 2

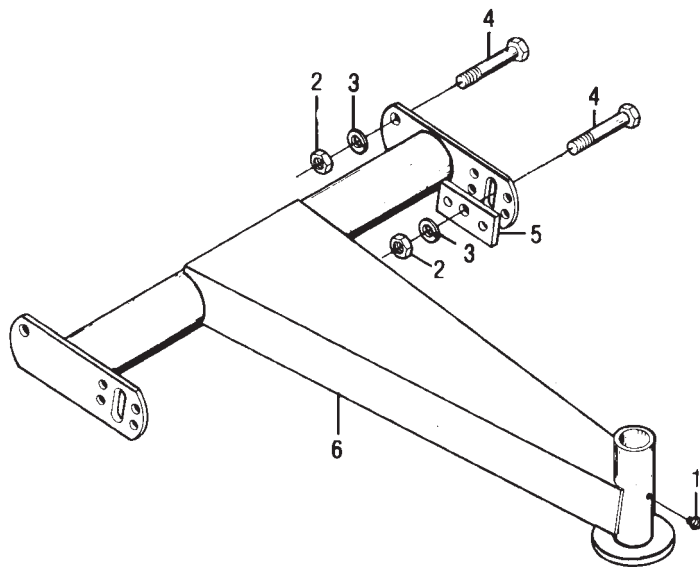
REF. NO.	PART NO.	QTY.	DESCRIPTION
1	—	8	Hex Nut 5/8" - 11 UNC
2	15598	1	Locknut 5/8"
3	—	8	Lockwasher 5/8"
4	20322	2	Lockwasher 1-1/8" Med.
5	20399	2	Hex Nut 1-1/8" - 12 UNF
6	—	1	Capscrew 5/8" - 11 UNC x 6" Gr. 5
7	—	4	Capscrew 5/8" - 11 UNC x 3-1/2" Gr. 5
8	—	8	Capscrew 5/8" - 11 UNC x 3-3/4" Gr. 5
9	64113	1	Pivot Tube
10	66863	2	Yoke (Center)
	66863	1	Yoke L.H. (Offset)
	67328	1	Yoke R.H. (Offset)
11	64256	2	Struts (Cat. 2)
12	64265	1	Flex Link
13	64749	1	Strut Weld., L.H.
14	64750	1	Strut Weld., R.H.
15	64797	2	Lift Pin Category 2



### QUICK HITCH AND RELATED PARTS 3-POINT LIFT ASSEMBLY For Center Lift & Offset Models

REF. NO.	PART NO.	QTY.	DESCRIPTION
1	67865	2	Mast, Quick Hitch
2	67864	2	Strut, Quick Hitch
3	67869	2	Yoke Center Lift
	81241	1	Yoke R.H. Offset Lift
	81240	1	Yoke L.H. Offset Lift
4	68164	2	Bushing
5	67867	1	Slider Bushing
6	67866	1	Spacer Tube
7	64797	2	Lift Pin Category 2
8	20399	2	Hex Nut 1-1/8" - 12 UNC
9	20322	2	Lockwasher 1-1/8"
10	—	2	Flatwasher 5/8" SAE
11	—	1	Capscrew 5/8" - 11 x 5" Gr. 5
12	—	2	Capscrew 1/2" - 13 x 5-1/2" Gr. 5
13	—	13	Hex Nut 5/8" - 11 x 3-3/4" Gr. 5
14	—	13	Lockwasher 5/8" Med.
15	—	2	Hex Nut 1/2" - 13 UNC
16	—	2	Lockwasher 1/2" Reg.
17	17-1-55	1	Pin Assembly
18	17-1-54	1	Mast Pin
19	20325	1	Roll Pin
20	1273	1	Presto Pin
21	17-1-56	1	Bushing, Mast
22	52675	1	Bushing Kit
23	—	8	Capscrew 5/8" - 11 x 3-3/4" Gr. 5
24	—	4	Capscrew 5/8" - 11 x 3-1/2" Gr. 5
25	64749	1	Strut Weld. L.H.
26	64750	1	Strut Weld. R.H.

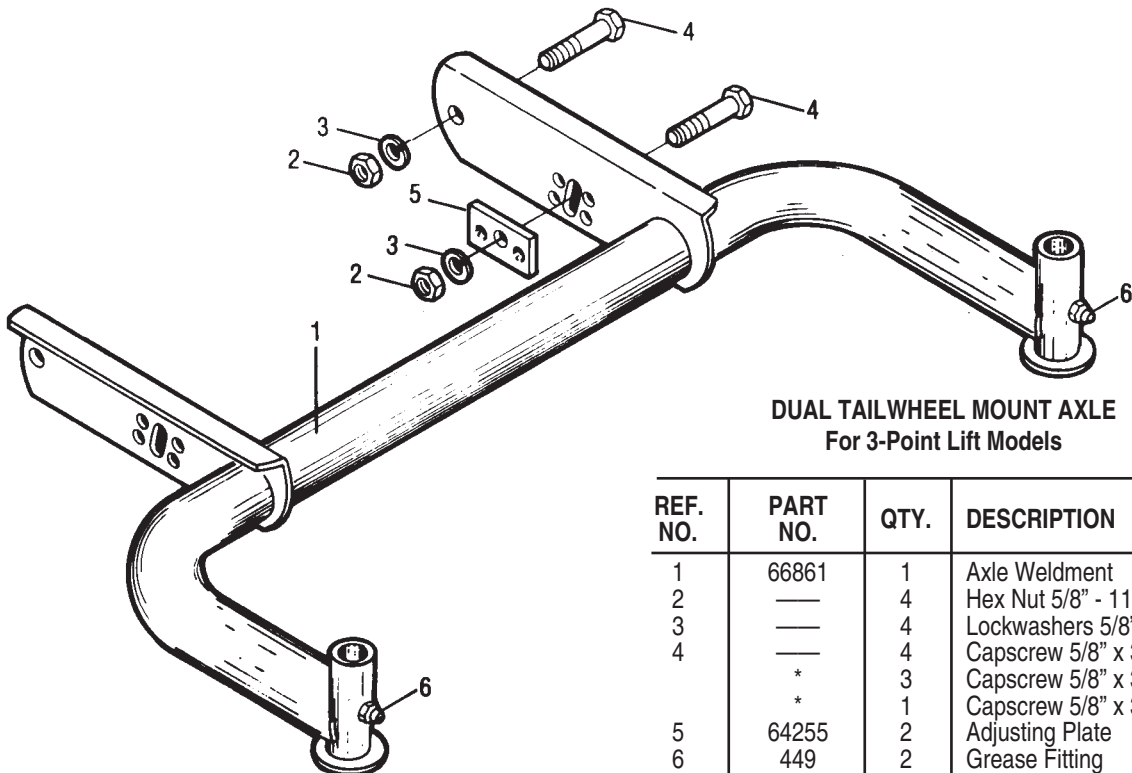




**TAILWHEEL MOUNT  
LIFT WITH SINGLE TAILWHEEL**

REF. NO.	PART NO.	QTY.	DESCRIPTION
1	449	1	Grease Fitting
2	—	4	Hex Nut 5/8" - 11 UNC
3	—	4	Lockwashers 5/8" Med.
4	—	4	Capscrew 5/8" x 3-3/4" Gr. 5
	*	3	Capscrew 5/8" x 3-3/4" Gr. 5
	*	1	Capscrew 5/8" - 11 UNC x 3-1/2" Gr. 5
5	64255	2	Adjusting Plate
6	64313	1	Tailwheel Weldment

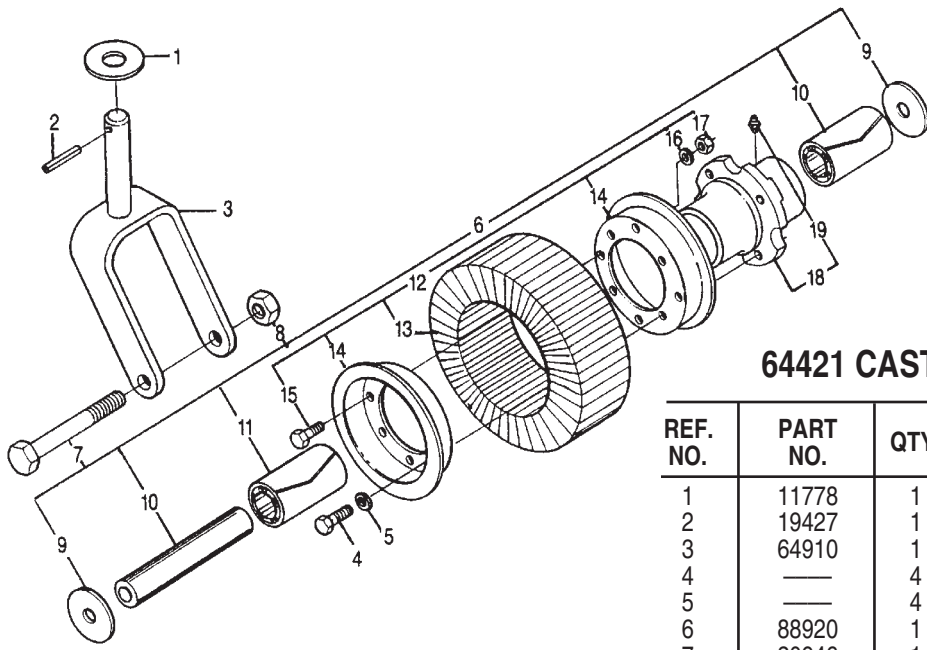
\* These fasteners are used on offset models.



**DUAL TAILWHEEL MOUNT AXLE  
For 3-Point Lift Models**

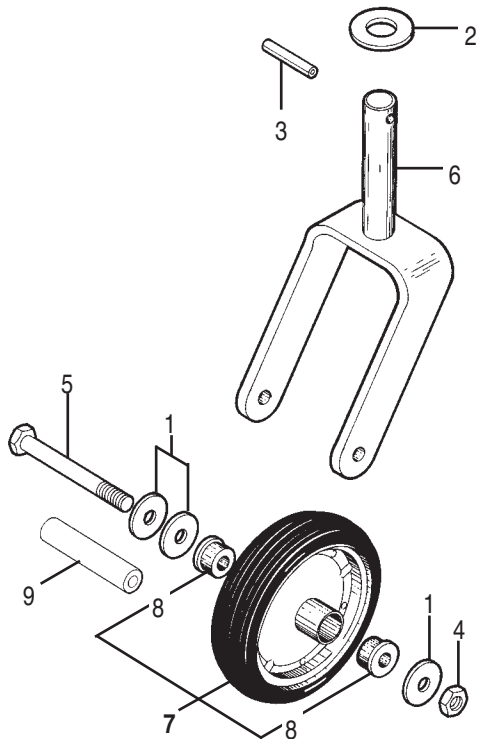
REF. NO.	PART NO.	QTY.	DESCRIPTION
1	66861	1	Axle Weldment
2	—	4	Hex Nut 5/8" - 11 UNC
3	—	4	Lockwashers 5/8"
4	—	4	Capscrew 5/8" x 3-3/4" Gr. 5
	*	3	Capscrew 5/8" x 3-3/4" Gr. 5
	*	1	Capscrew 5/8" x 3-1/2" Gr. 5
5	64255	2	Adjusting Plate
6	449	2	Grease Fitting

\* These fasteners are used on offset models



**64421 CASTER ASSEMBLY**

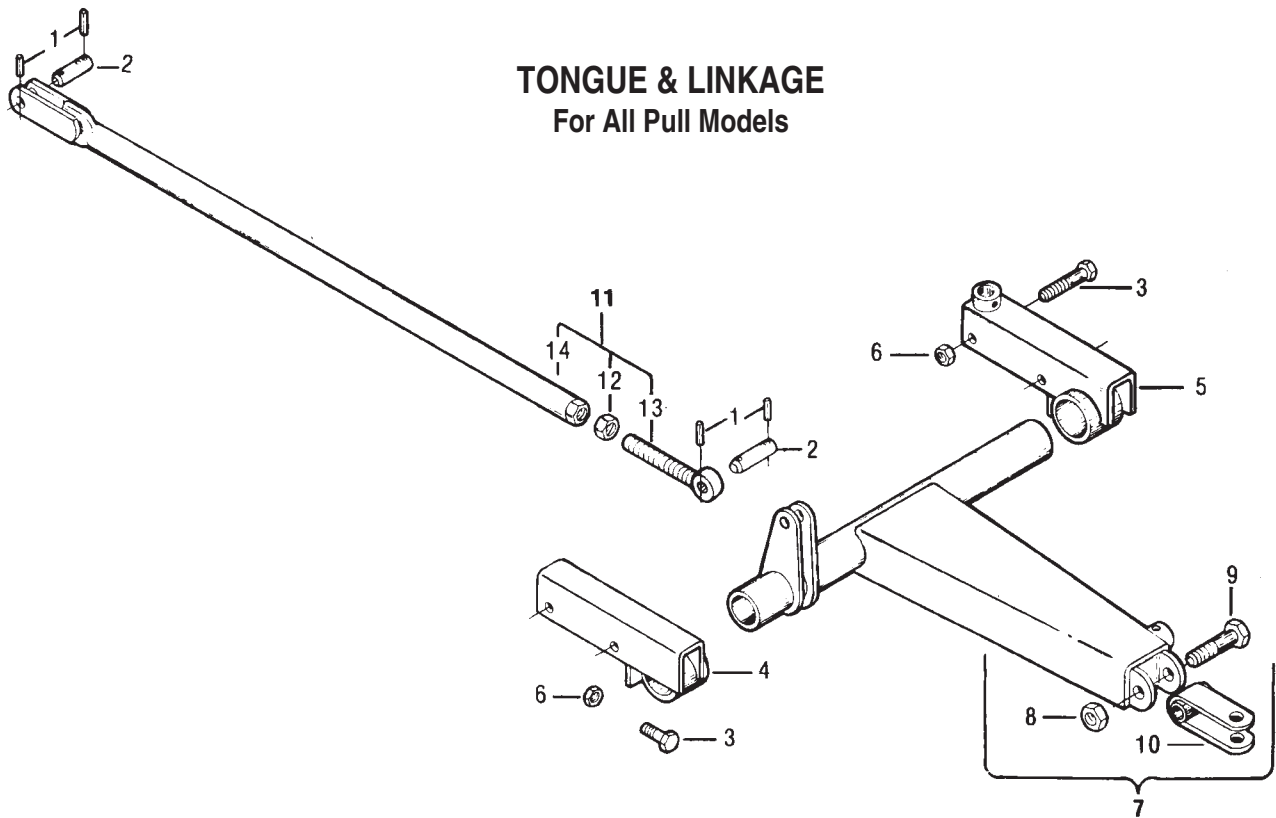
REF. NO.	PART NO.	QTY.	DESCRIPTION
1	11778	1	Flatwasher
2	19427	1	Roll Pin 1/2" x 2-1/4"
3	64910	1	Fork Weldment
4	—	4	Capscrew 1/2" x 1" Gr.5
5	—	4	Lockwasher 1/2"
6	88920	1	Bearing Repair Kit
7	20946	1	Capscrew 3/4" x 8" Gr.5
8	15591	1	Locknut, Toplock 3/4" - 10
9	12261	2	Wear Washer
10	12263	1	Spacer Tube
11	12250	2	Roller Bearings
12	500	1	Tire Assembly
13	56	1	Solid Tire
14	233	2	Wheel Flange
15	—	4	Capscrew 3/8" x 1" Gr.5
16	—	4	Lockwasher 3/8"
17	—	4	Hex Nut 3/8"
18	12268	1	Hub Assembly
19	449	1	Grease Fitting



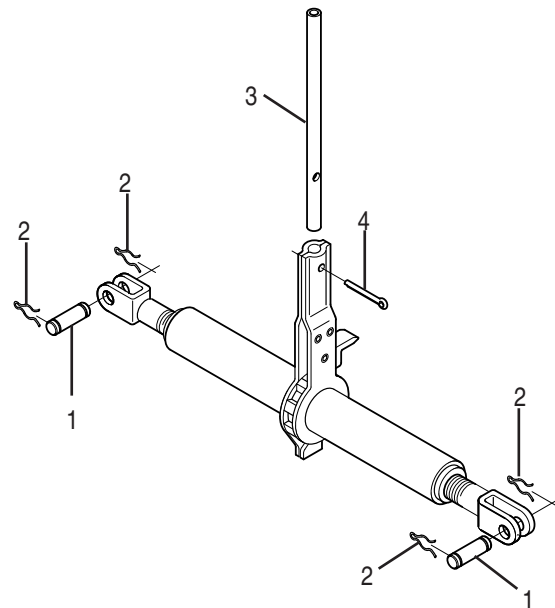
**89096 CASTER ASSEMBLY**  
Used On: All Lift Models

REF. NO.	PART NO.	QTY.	DESCRIPTION
1	119	3	Washer 3/4"
2	11778	1	Washer
3	19427	1	Roll Pin
4	20638	1	Locknut 3/4"
5	20946	1	Capscrew 3/4" x 8" Gr.5
6	64910	1	Fork Weldment
7	<b>50058327</b>	1	<b>Wheel Assembly</b>
8	50058328	2	Nylon Bearing
9	89095	1	Bushing

**NOTE:** Wheels without the bushing (ref. no. 9) use bearing with 3/4" hole. Order part no. 66383 bearing for replacement.

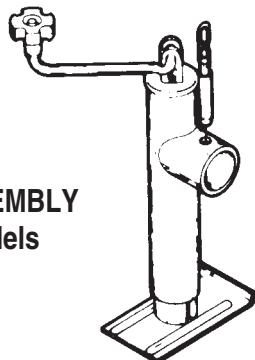


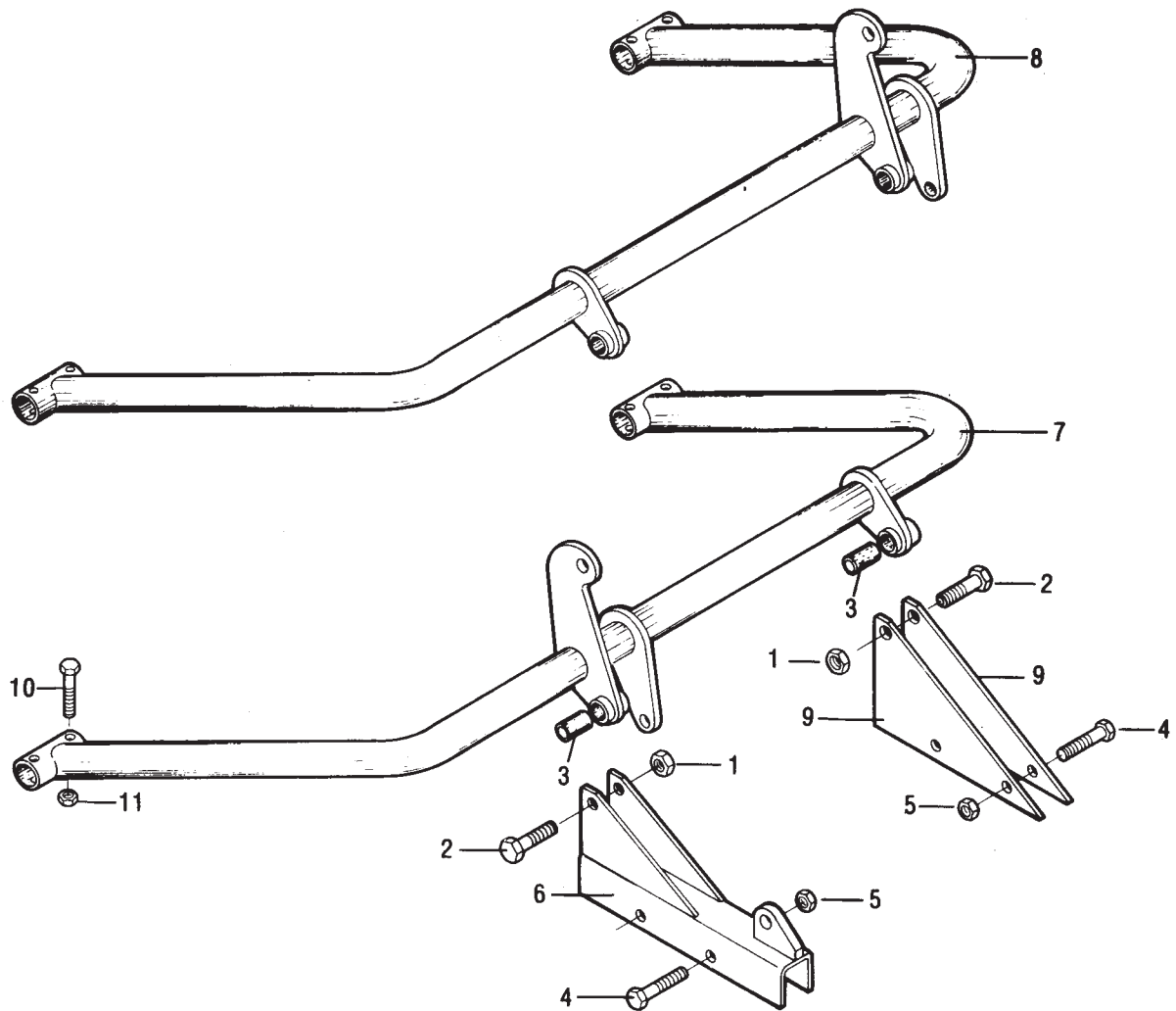
REF. NO.	PART NO.	QTY.	DESCRIPTION
1	20325	4	Roll Pin 1/4" x 1-3/4"
2	64819	2	Linkage Pin
3	—	6	Capscrew 5/8" x 3-1/2" Gr. 5
4	64293	1	Tongue Mount, R.H.
5	64292	1	Tongue Mount, L.H.
6	15598	8	Locknut 5/8"
7	<b>83207</b>	1	<b>Tongue Assembly</b>
8	09163200	1	Locknut 1"
9	44170	1	Capscrew 1" x 5-1/4" Gr. 5
10	65295	1	Clevis
11	<b>67202</b>	1	<b>Linkage Assembly</b>
12	15612	1	Jamnut 1"
13	64999	1	Turnbuckle End
14	67199	1	Linkage Weld.



REF. NO.	PART NO.	QTY.	DESCRIPTION
1	50028265	2	Pin
2	50028264	4	Clip Pin
3	11810	1	Handle
4	—	1	Cotter Pin 1/4" x 1-3/4"

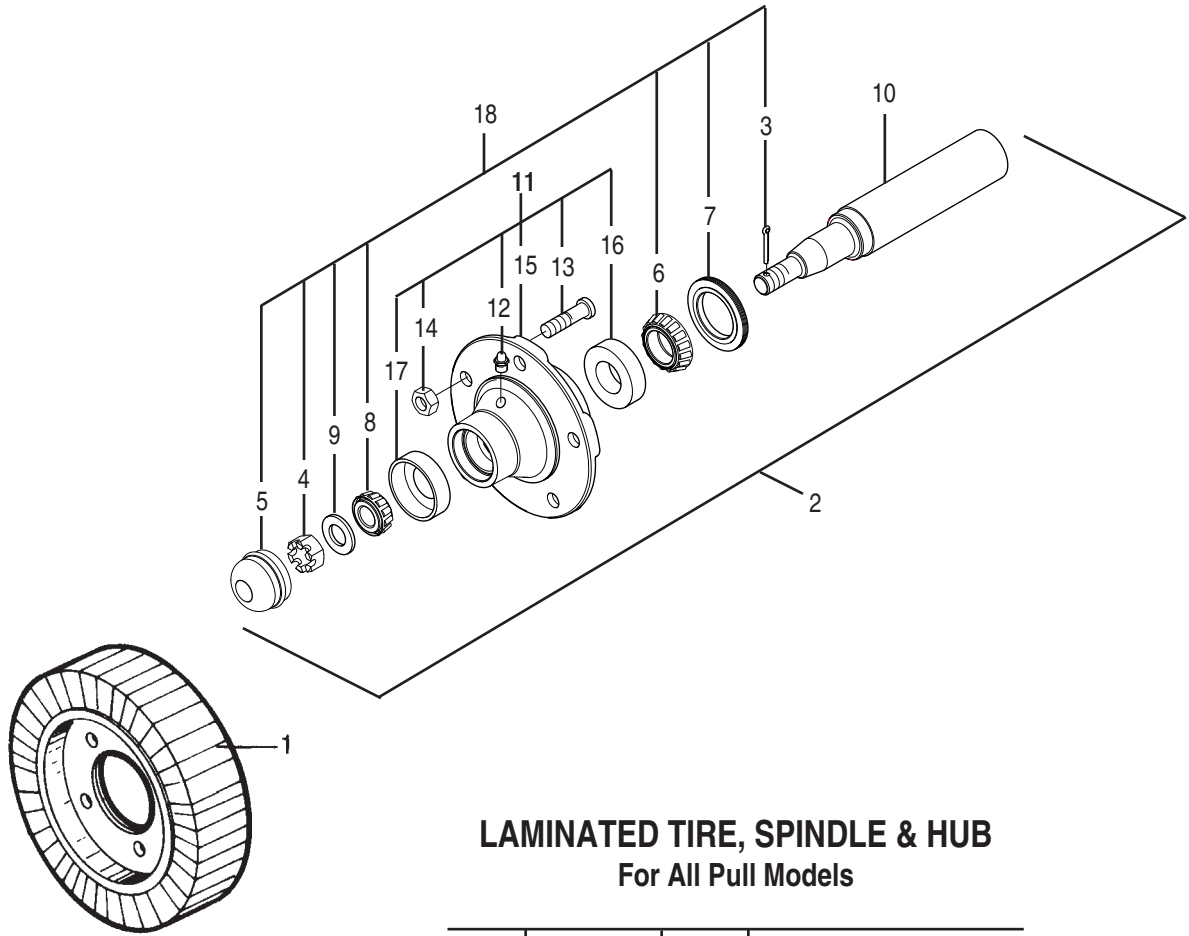
**24D25128**  
**JACKSTAND ASSEMBLY**  
For All Pull Models





**AXLE ASSEMBLIES FOR PULL TYPE MODELS**

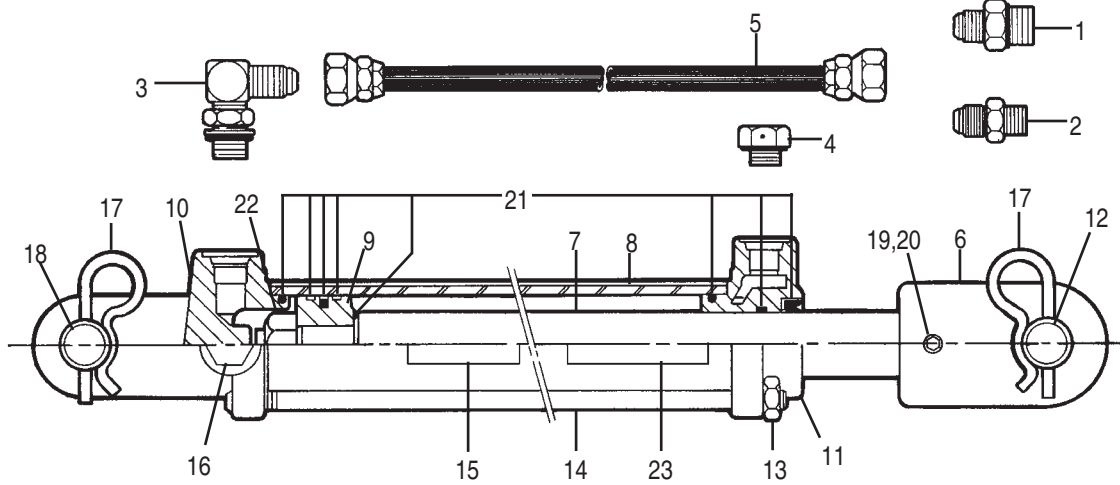
REF. NO.	PART NO.	QTY.	DESCRIPTION
1	20638	2	Locknut 3/4" - 10
2	—	2	Capscrew 3/4" - 10 x 4" Gr. 5
3	65209	2	Bushing
4	—	4	Capscrew 5/8" - 11 x 4" Gr. 5
5	15598	4	Locknut 5/8" - 11
6	67181	1	Cylinder & Axle Mount Bracket
7	67210	1	Axle Weld., Center Pull
8	67178	1	Axle Weld., Offset Pull
9	67182	2	Axle Mount Side Plate
10	—	2	Capscrew 1/2" - 13 x 3-1/4" Gr. 5
11	15554	2	Locknut 1/2" - 13



**LAMINATED TIRE, SPINDLE & HUB**  
**For All Pull Models**

REF. NO.	PART NO.	QTY.	DESCRIPTION
1	294	2	Solid Tire
	83125	2	Solid Tire
2	<b>64820</b>	2	<b>Spindle &amp; Hub Assembly</b>
3	—	1	Cotter Pin 1/8" x 1-1/2"
4	120	1	Slotted Nut 3/4" NF
5	121	1	Hub Cap
6	50073	1	Bearing Cone (Inner)
7	7967	1	Seal, Triple Lip
8	50076	1	Bearing Cone (Outer)
9	—	1	Flatwasher 3/4"
10	64322	1	Spindle
11	<b>7977</b>	1	<b>Hub Assembly (12-17)</b>
12	449	1	Grease Fitting
13	15445	5	Hub Bolt
14	15515	5	Hub Nut
15	7965	1	Hub
16	14-6-197	1	Bearing Cup
17	14-6-198	1	Bearing Cup
18	88921	1	Bearing Repair Kit

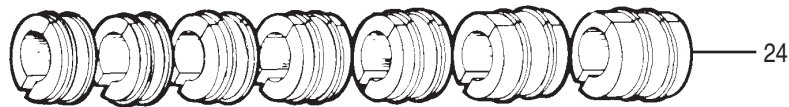




**64830 HYDRAULIC BUNDLE**

*Used on: All Pull Models*

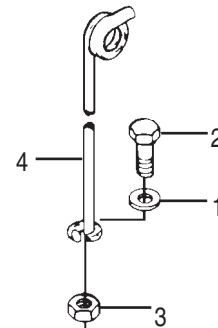
REF. NO.	PART NO.	QTY.	DESCRIPTION	REF. NO.	PART NO.	QTY.	DESCRIPTION
1	53340	1	Adaptor 9/16" JIC to 3/4" SAE	11	64925	1	Head
2	24-6-434	1	Adaptor 9/16" JIC to 1/2" NPT	12	64923	1	Clevis Pin
3	14-40-98	1	90° Elbow 3/4" ORB to 9/16" JIC	13	64917	4	Nut
4	50047240	1	Breather Plug	14	64916	4	Tie Rod
5	62427	1	Hydraulic Hose 144"	15	64926	1	Decal
	<b>*68910</b>	<b>1</b>	<b>Hydraulic Cylinder Assy.</b>	16	63623	1	Plug
	<b>64913</b>		<b>(Mfd. by Iowa Ind. Hydraulics)</b>	17	64924	4	Pin
			<b>(2" Bore x 8" Stroke)</b>	18	64922	1	Clevis Pin
			<b>(3/4" SAE ORB Ports)</b>	19	63631	1	Setscrew
6	64919	1	Clevis	20	64630	1	Nylon Plug
7	64920	1	Shaft	21	84393	1	Seal Kit
8	64921	1	Case	22	64914	1	Locknut
9	64918	1	Piston	23	69063	1	Notice Decal
10	64915	1	Bottom	24	63451	1	Stop Collar Kit

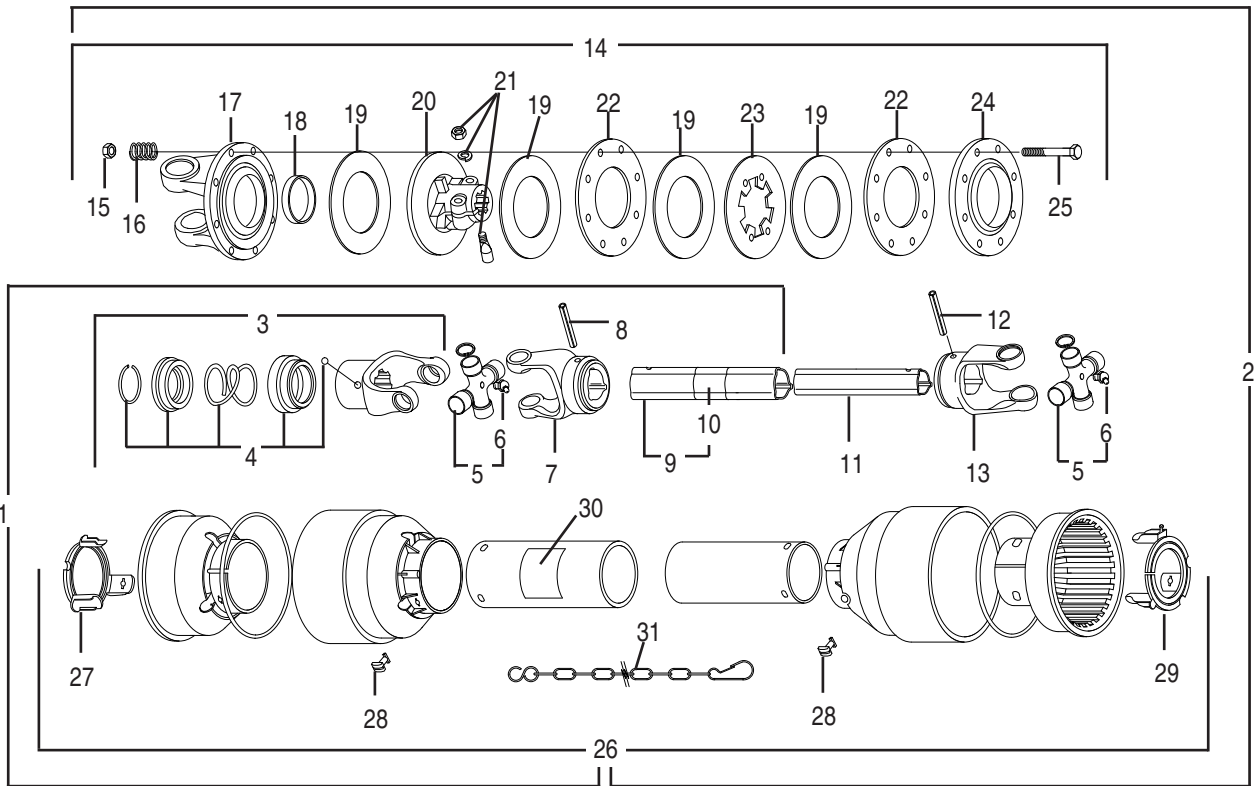


\*Replaced by 50017492 Hydraulic Cylinder (Mfd. by Monarch)

**HOSE HOLDER**

REF. NO.	PART NO.	QTY.	DESCRIPTION
1	—	1	Flatwasher 1/2"
2	—	1	Capscrew 1/2" - 2" Gr.5
3	15554	1	Locknut 1/2"
4	12031	1	Hose Holder





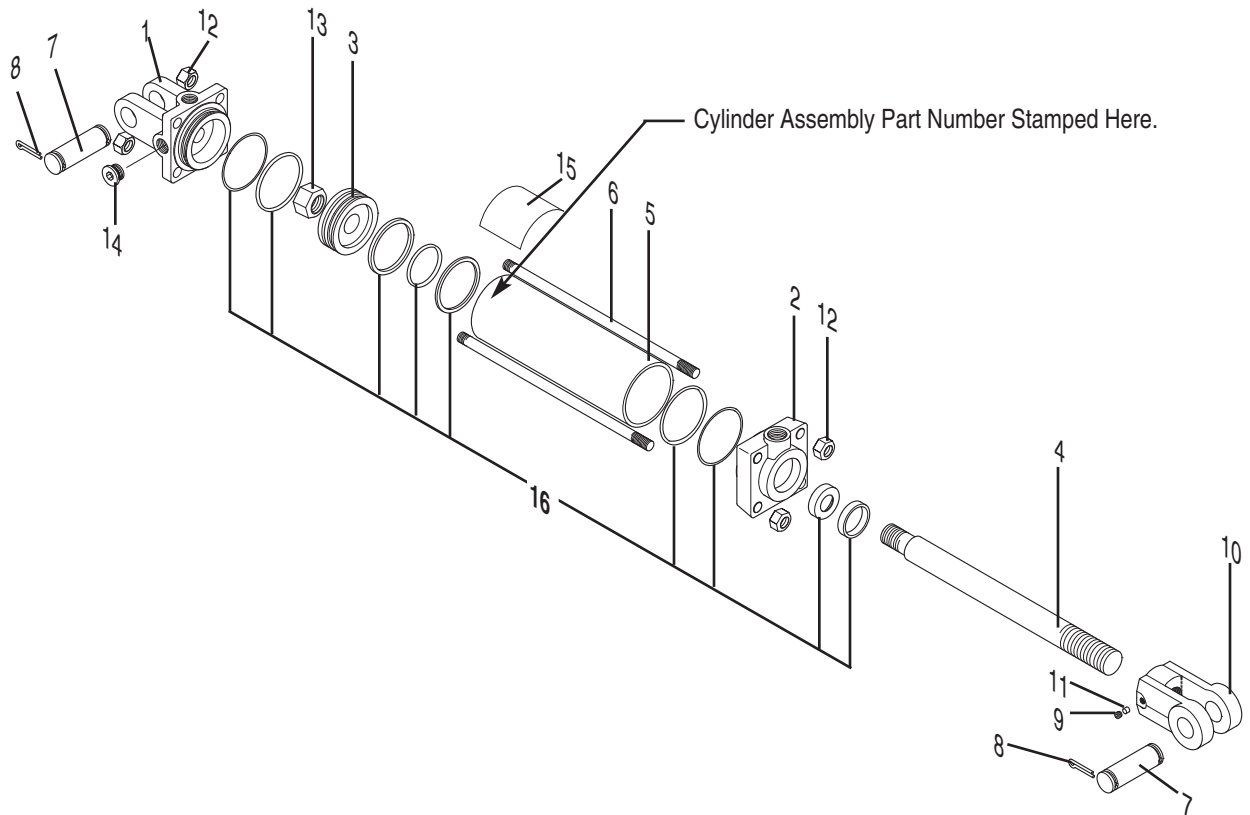
**76743 DRIVELINE ASSEMBLY (540 RPM)**  
 Manufactured by Comer / EG  
 Was 92960 Driveshaft

REF. NO.	PART NO.	QTY.	DESCRIPTION
1	76814	1	Outer Half w/Shield
2	76121	1	Inner Half w/Shield
3	76802	1	Complete Collar Yoke
4	50017480	1	Ball Collar Kit 1-3/8"
5	64663	2	Cross Bearing Kit
6	63956	2	Grease Fitting
7	66865	1	Outer Yoke
8	66866	1	Roll Pin Outer Yoke
9	67006	1	Outer Tube
10	78786	1	Danger Decal
11	66868	1	Inner Tube
12	66869	1	Roll Pin Inner Tube
13	66870	1	Inner Yoke
14	76154	1	Slip Clutch Assy.
15	44154	8	Lock Nut M10 x 1.5
16	76080	8	Spring
17	76164	1	Flange
18	76082	1	Bushing
19	76083	4	Lining
20	76165	1	Support
21	76064	1	Taper Pin Kit
22	76085	2	Inner Plate
23	76197	1	Intermediate Plate

76062 Push Pin Set

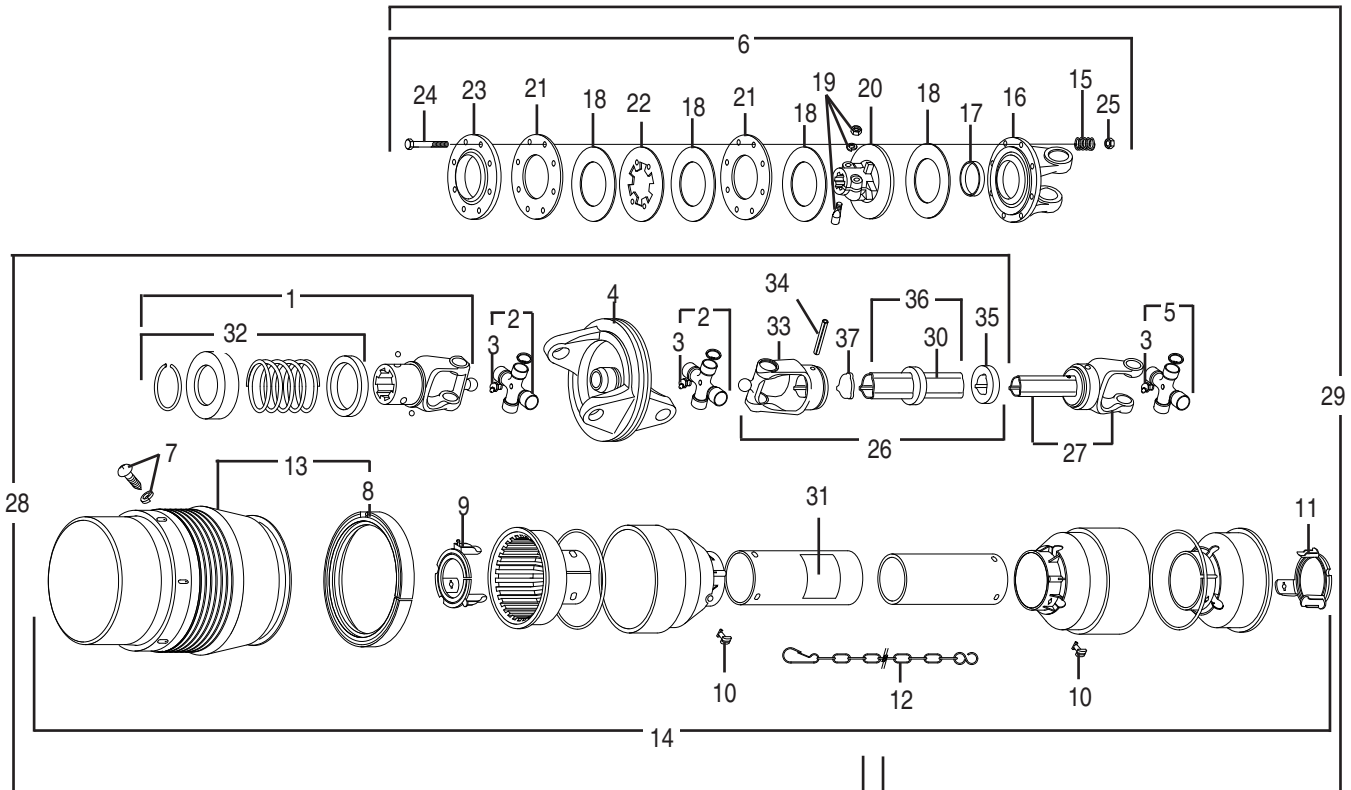
**Note:** Some early driveshafts were shipped with push pins on the tractor yoke end. Order 76062 push pin set to replace pin. Order 76802 for complete yoke replacement.

REF. NO.	PART NO.	QTY.	DESCRIPTION
24	76086	1	Pressure Plate
25	44159	8	Capscrew, M10 x 1.5 x 100
26	76150	1	Complete Shield
27	76057	1	Outer Bearing
28	87992	6	Shield Bolt
29	76059	1	Inner Bearing
30	78608	1	Danger Decal
31	64814	2	Safety Chain



**50017492 HYDRAULIC CYLINDER**  
 (Was Part No. 95398)  
 Mfd. by Monarch  
 2" Bore X 8" Stroke 1.125" Rod Dia.  
 3/4" - 16 ORB Ports

REF. NO.	PART NO.	QTY.	DESCRIPTION
1	95458	1	Clevis Cap
2	92457	1	Rod Cap
3	95460	1	Piston
4	95459	1	Rod 1.125" Dia.
5	95454	1	Cylinder Tube
6	95455	4	Tie Rod
7	95425	2	Pin 1" Dia.
8	21020614	4	Cotter Pin 3/16" x 1 1/2"
9	95433	1	Thread Lock
10	95456	1	Rod Clevis 1.125" x 1"
11	95422	1	Set Screw 3/8" x 1/2 Knurled
12	8151200	8	Hex Nut 3/8"
13	95452	1	Hex Nut 3/4" UNF
14	95435	1	Plug 3/4"
15	95423	1	Caution Decal
16	50017620	1	Seal Kit



**76236 C.V. DRIVELINE ASSEMBLY W/ SLIP CLUTCH**  
 1000 RPM – 1-3/8” – 21 SPLINE  
 Manufactured by Comer / EG

**76237 DRIVELINE ASSEMBLY W/ SLIP CLUTCH**  
 540 RPM – 1-3/8” – 6 SPLINE  
 Manufactured by Comer / EG

REF. NO.	PART NO.	QTY.	DESCRIPTION
1	50017482	1	Complete Collar Yoke (76236)
	50017505	1	Complete Collar Yoke (76237)
2	76420	2	Cross Journal Set
3	76579	2	Grease Nipple
4	76421	1	Wide Angle Double Yoke
5	64663	1	Cross Journal Set
6	76154	1	Complete Disc Clutch
7	76362	6	Screw
8	76423	1	Bearing Ring
9	76057	1	Guard Retaining Collar, Outer
10	87992	6	Bolt
11	76059	1	Guard Retaining Collar, Inner
12	64814	3	Safety Chain
13	76933	1	Guard Cone Set
14	76940	1	Complete Shield w/ Instr.
15	76080	8	Spring
16	76164	1	Flanged Yoke
17	76082	1	Bushing
18	76083	4	Lining Ring
19	76064	1	Tapered Pin Set 1-3/8”

REF. NO.	PART NO.	QTY.	DESCRIPTION
20	76165	1	Clutch Support
21	76085	2	Inner Plate
22	76197	1	Intermediate Plate
23	76086	1	Pressure Plate
24	44159	8	Capscrew, M10 x 1.5 x 100
25	44154	8	Lock Nut M10 x 1.5
26	76464	1	Female Tube w/ Yoke & Lube
27	76465	1	Male Tube w/ Yoke & Lube
28	76941	1	Half Female Shaft w/ Shield (76236)
	76942	1	Half Female Shaft w/ Shield (76237)
29	76467	1	Half Male Shaft w/ Shield
30	78786	1	Danger Decal, Outer Tube
31	78608	1	Danger Decal, Outer Shield
32	50017480	1	Ball Collar Kit, 1-3/8”
33	76471	1	Outer Yoke
34	66866	1	Roll Pin for Outer Tube
35	76959	1	Wiper
36	76939	1	Complete Outer Tube
37	76960	1	Plastic Cap, Outer Tube





**BUSH HOG<sup>®</sup>**

2501 Griffin Ave. • Selma, AL 36703  
(334) 872-6261 • (334) 874-2700  
Parts Ordering 1-800-304-2836  
Fax 1-800-572-1784  
[www.bushhog.com](http://www.bushhog.com)