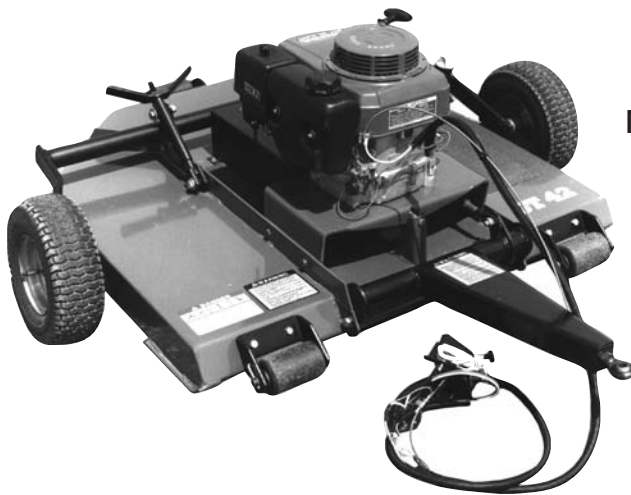


BUSH HOG®

LAND MAINTENANCE

REPAIR PARTS MANUAL

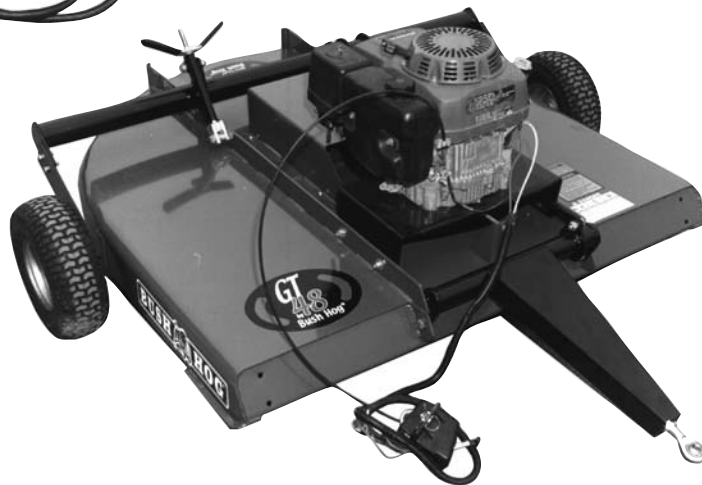
MODEL: GT42 & GT48
SECTION: 25



Model GT 42



Model GT 48



BUSH HOG®

2501 Griffin Ave. • Selma, AL 36703
(334) 872-6261 • (334) 874-2700
Parts Ordering 1-800-304-2836
Fax 1-800-572-1784
www.bushhog.com

GT42, GT48 ROTARY CUTTERS

ALPHABETICAL INDEX

CONTENTS	PAGE
GT42-01 – GT42-04, GT42-07, GT42-08, GT42-09	
Axle Assembly	25-2-1
Base Assembly	25-1-1
Belt	25-1-1
Blade, Cutting	25-1-1
Bumper Kit	25-4-4
Cable Holder	25-4-2
Clutch, Centrifugal	25-3-1
Control Assembly	25-4-1 & 25-4-2
Decals	25-1-1
Leveling Bar	25-2-1
Roller, Anti-Scalp	25-4-1
Spindle Assembly	25-3-1
Switch, Safety	25-4-1
Tire Assembly	25-2-1
Tongue Assembly	25-2-1
Turnbuckle Assembly	25-2-1
Wiring, Harness, Electric Start	25-4-2

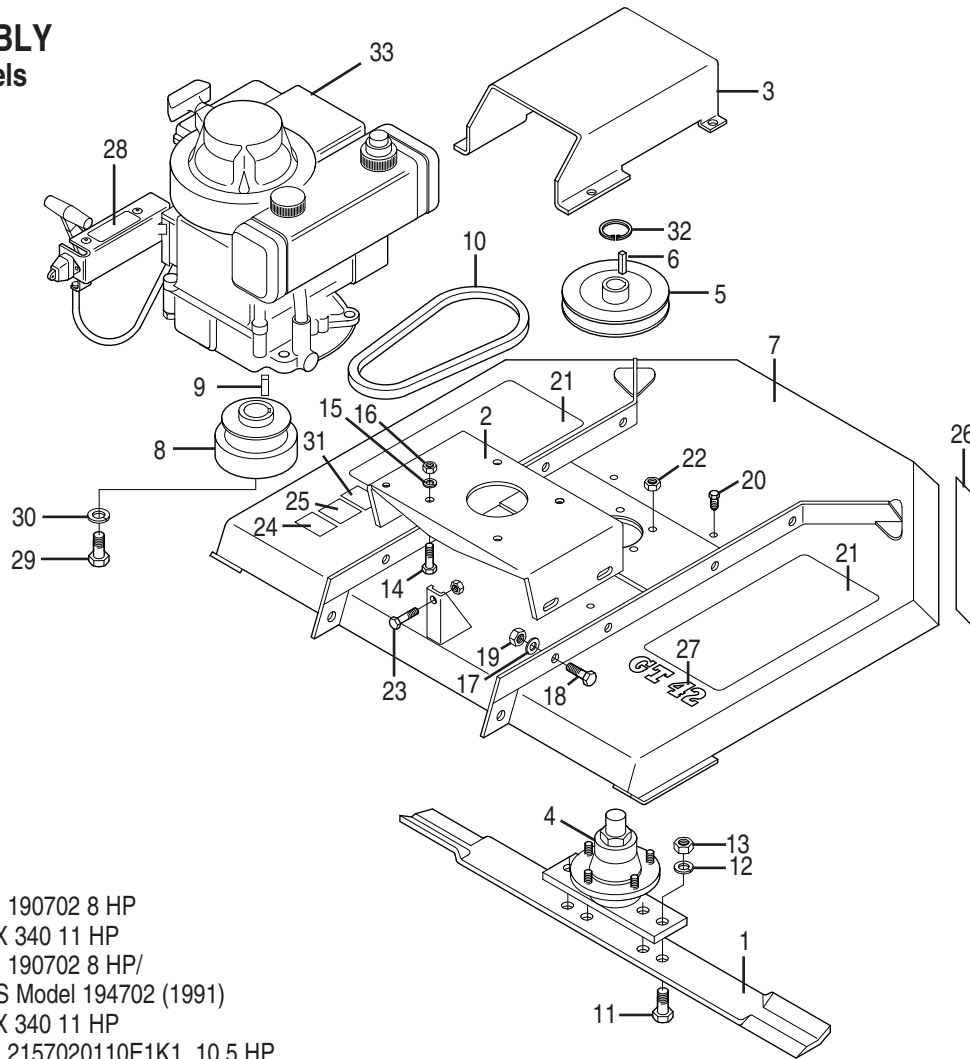
GT42-05, GT42-06	
Axle Assembly	25-2-2
Base Assembly	25-1-2
Belt	25-1-2
Blade, Cutting	25-1-2
Clutch, Centrifugal	25-3-3
Control Assembly	25-4-1 & 25-4-2
Decals	25-1-2
Roller, Anti-Scalp	25-4-1
Spindle Assembly	25-3-2
Switch, Safety	25-4-1
Tire Assembly	25-2-2
Tongue Assembly	25-2-2
Wiring, Harness, Electric Start	25-4-2

CONTENTS	PAGE
GT48	
Axle Assembly	25-2-3
Base Assembly	25-1-3
Belt	25-1-3
Blade, Cutting	25-1-3
Bumper Kit	25-4-4
Cable Holder	25-4-2
Clutch	25-3-4
Leveling Bar	25-2-3
Roller Assemblies, Anti-Scalp	25-4-3
Spindle Assembly	25-3-4
Tire Assemblies	25-2-3
Tongue Assemblies	25-2-3, 25-2-4
Wiring Harness, Electric Start	25-4-2

BASE ASSEMBLY

For GT42 Models

- GT42-01
- GT42-02
- GT42-03
- GT42-04
- GT42-07
- GT42-08
- GT42-09



GT42 ENGINE MODELS

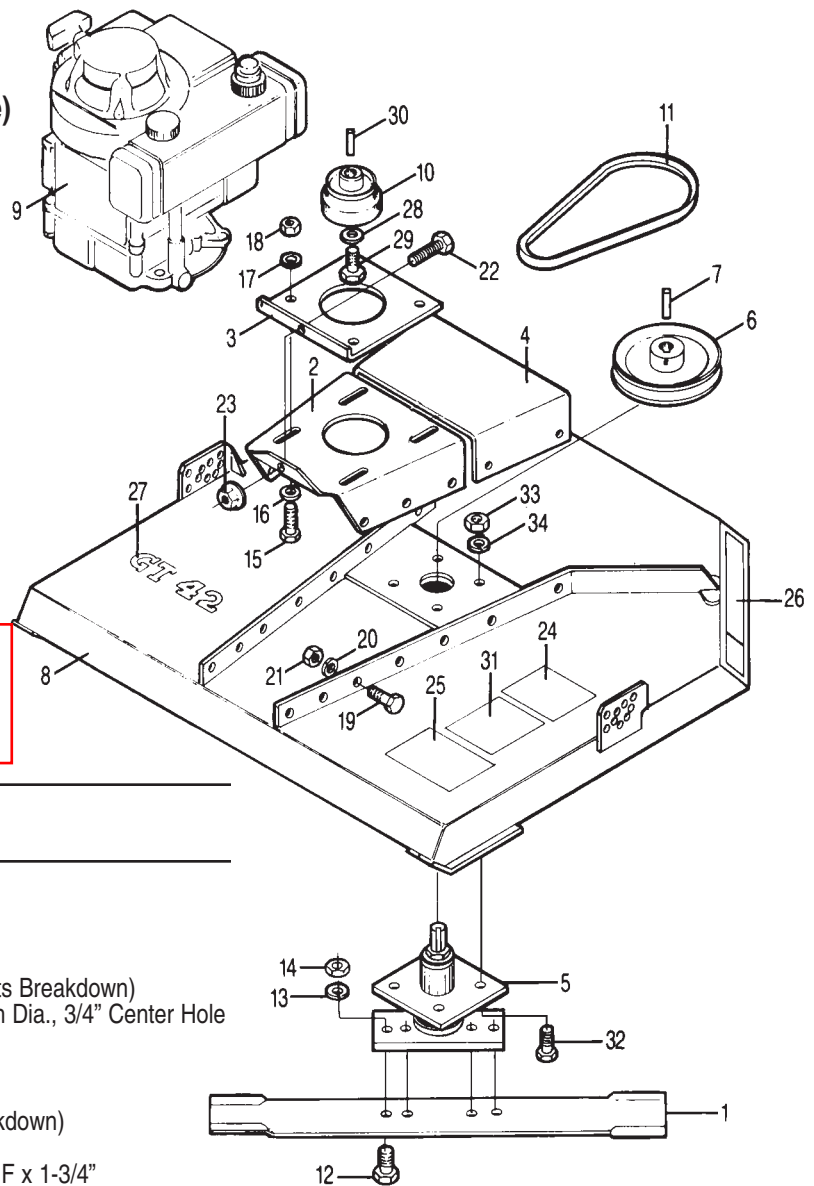
- GT42-03 uses B&S Model 190702 8 HP
- GT42-04 uses Honda GVX 340 11 HP
- GT42-07 uses B&S Model 190702 8 HP/
Changed to B&S Model 194702 (1991)
- GT42-08 uses Honda GVX 340 11 HP
- GT42-09 uses B&S Model 2157020110E1K1, 10.5 HP
Vertical Shaft, 344 CC

NOTE: Bush Hog does not furnish repair parts for the Briggs & Stratton or Honda engines. See your local authorized Briggs & Stratton or Honda dealer for service parts.

REF. NO.	PART NO.	QTY.	DESCRIPTION
1	81577	1	Blade, Uplift
2	65511	1	Motor Mount Stand
3	65534	1	Safety Shield
	86343	1	Safety Shield (GT42-08 only)
4	65523	1	(See Hub & Blade Bar Assy.)
5	65481	1	Pulley, 1" Center Hole
6	65484	1	Key, Pulley
7	66375	1	Base Weldment w/ Decals
8	81697	1	Clutch (See Parts Breakdown)
9	65485	1	Key, Clutch
10	65482	1	Belt
11	—	4	Capscrew 1/2" x 1-3/4" Gr.5
12	—	4	Lockwasher 1/2"
13	—	4	Nut 1/2"
14	—	4	Capscrew 5/16" x 1-3/4"
15	—	4	Lockwasher 5/16"
16	—	4	Nut 5/16"
17	—	4	Flatwasher 3/8"
18	—	4	Capscrew 3/8" x 1"

REF. NO.	PART NO.	QTY.	DESCRIPTION
19	—	5	Locknut 3/8"
20	44039	4	Capscrew, Self Tap
21	84775	2	Non Skid Surface
22	—	5	Nut 1/2"
23	44789	1	Capscrew 3/8" x 3" Full Thread G5
24	81754	1	Caution Decal
25	81752	1	Caution Decal
26	12115	2	Bush Hog Decal
27	66370	1	Series Decal
28	—	1	Control Assy. for Manual Start Only
29	20125	1	Capscrew 7/16" - 20 UNC x 1" Gr.5
30	44040	1	Safety Washer
31	96103	1	Warning Decal, Exhaust
32	44041	1	Retaining Ring, Ext.
33	50042439	1	Spark Arrestor Kit, 9 HP B&S
	93006	1	Spark Arrestor Kit, Honda
	93007	1	Spark Arrestor Kit, Briggs 8 HP

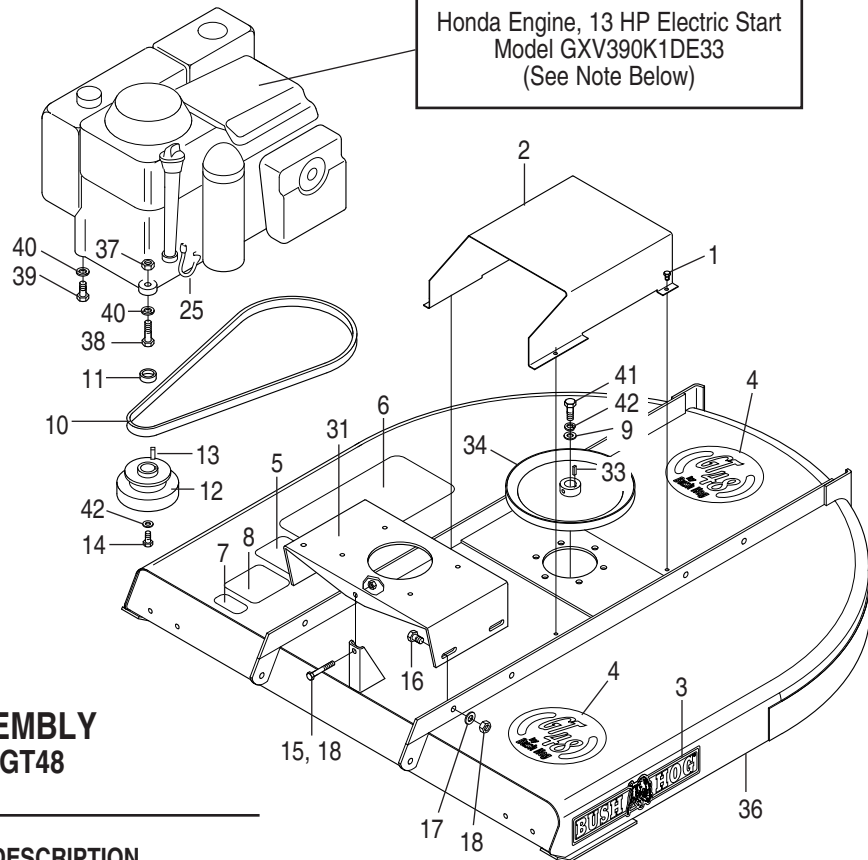
GT42 BASE ASSEMBLY
 GT42-05 (8 H.P. Briggs & Stratton Engine)
 GT42-06 (11 H.P. Honda Engine)



84332 is non sellable remove from parts list

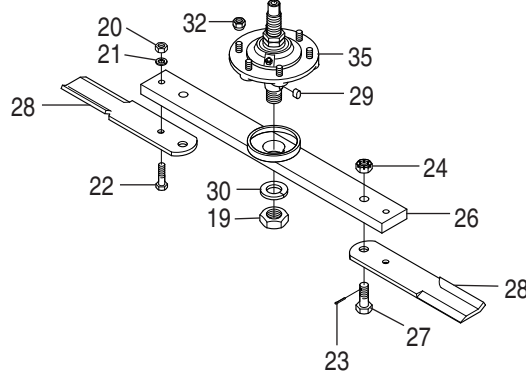
REF. NO.	PART NO.	QTY.	DESCRIPTION
1	81577	1	Blade 42" Uplift
2	83083	1	Engine Support
3	83082	1	Engine Slide Plate
4	81607	1	Drive Shield
5	84332	1	Spindle Assy. (See Parts Breakdown)
6	81922	1	Pulley 8" Dia., 7.6" Pitch Dia., 3/4" Center Hole
7	84428	1	Key
8	81750	1	Deck Weld. w/ Decals
9	—	1	Engine (See Note)
10	81697	1	Clutch (See Parts Breakdown)
11	81751	1	Belt "V" Gates 8956
12	15056	4	Blade Bolt 1/2" – 20 UNF x 1-3/4"
13	15806	4	Lockwasher 1/2"
14	15577	4	Hex Nut 1/2" – 20 UNF
15	—	2	Capscrew 5/16" – 18 UNC x 1-3/4" Gr.5 (Honda)
	19080	2	Capscrew 5/16" – 24 UNF x 1-1/4" (Honda)
	—	4	Capscrew 5/16" – 18 UNC x 1-3/4" Gr.5 (Briggs)
16	—	4	Flatwasher 5/16"
17	—	4	Lockwasher 5/16"
18	—	4	Hex Nut 5/16" – 18 UNC
19	—	10	Capscrew 3/8" – 16 UNC x 1-1/4"
20	—	10	Flatwasher 3/8" Req.
21	20363	10	Locknut 3/8" – 16 UNC
22	83010	1	Bolt
23	50006913	2	Whiz Nut 3/8" – 16 UNC
24	81754	1	Caution Decal
25	81752	1	Danger Decal
26	12115	2	Bush Hog Decal
27	66370	1	Series Decal
28	44040	1	Safety Washer
29	20125	1	Capscrew 7/16" – 20 UNF x 1"
30	65485	1	Key, Clutch
31	81753	1	Warning Decal
32	—	4	Capscrew 5/8" – 11 uNC x 1-1/2" Gr.5
33	—	4	Hex Nut 5/8" – 11 UNC
34	—	4	Lockwasher 5/8"

Note: Bush Hog does not offer service parts for the Briggs & Stratton engine or the Honda engine. For service parts please see the local Briggs & Stratton or Honda dealer nearest you.
 ENGINE MODELS: Briggs & Stratton 8 H.P. – 190702
 Honda 11 H.P. – GXV340



BASE ASSEMBLY
For Model GT48

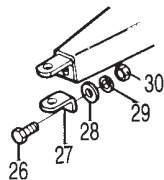
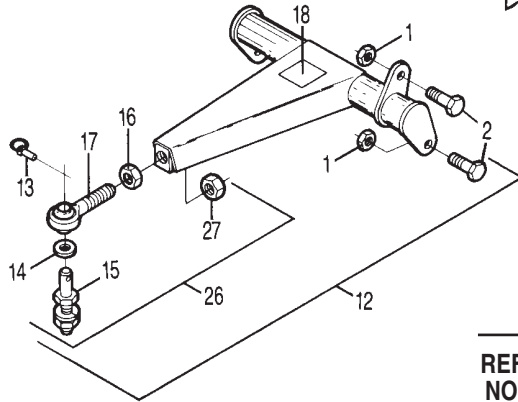
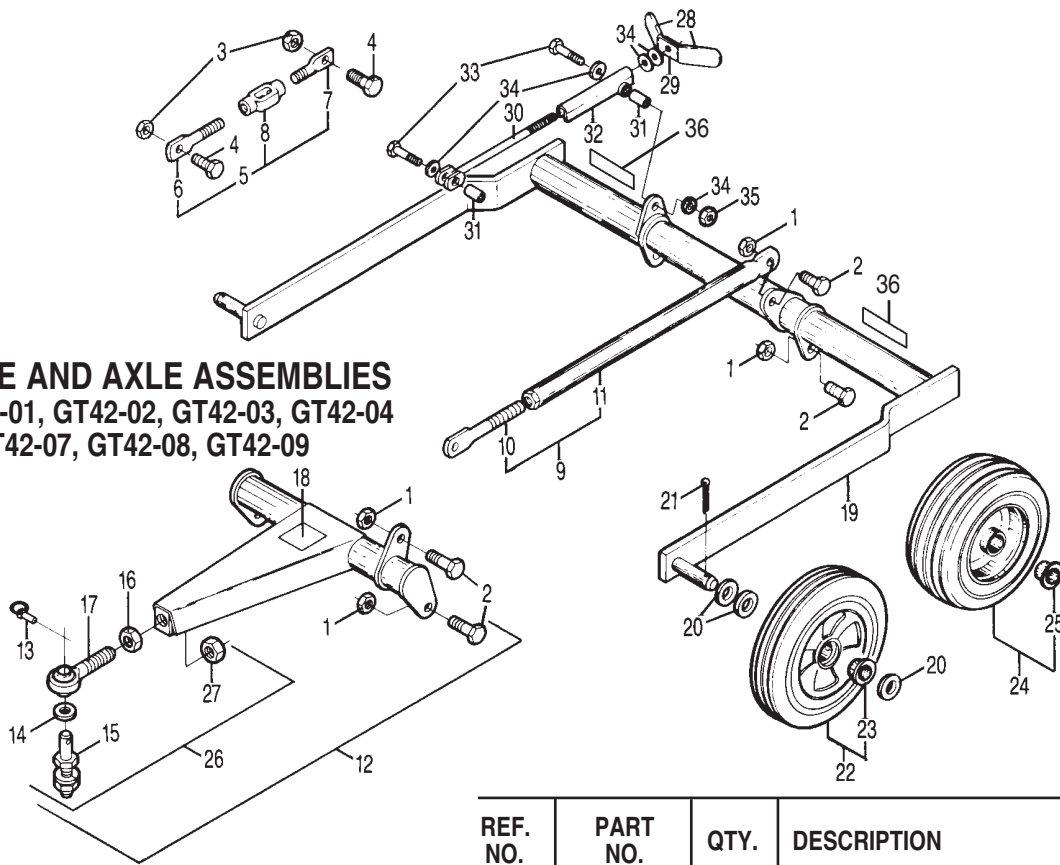
REF. NO.	PART NO.	QTY.	DESCRIPTION
1	44039	4	Capscrew 1/4" x 1/2" Self Tap
2	50032322	1	Safety Shield
3	12115	2	Bush Hog Decal
4	50025394	2	Series Decal
5	81752	1	Danger Decal
6	84775	1	Non-Skid Surface
7	81754	1	Warning Decal
8	96103	1	Warning Decal
9	—	1	Flatwasher 1/2"
10	50026067	1	Drive Belt
11	50027678	1	Spacer, Clutch
12	50025586	1	Clutch (See Parts Breakdown)
13	65485	1	Key, Clutch
14	20125	1	Capscrew 7/16" x 1" Gr.5 NF
15	—	1	Capscrew 3/8" x 2-1/2" Gr.5
16	—	4	Capscrew 3/8" x 1" Gr.5
17	—	4	Flatwasher 3/8"
18	20363	5	Locknut 3/8"
19	61482	1	Hex Jam Nut
20	15507	2	Hex Nut 1/2" NF
21	—	2	Lockwasher
22	15025	2	Capscrew 1/2" x 2" NF
23	21020510	2	Cotter Pin 5/32" x 1"
24	120	2	Slotted Nut 3/4"
25	50024040	1	Jumper Wire
26	50027651	1	Blade Bar Weldment
27	150016	2	Blade Bolt 3/4" x 2-1/4"
28	50024673	2	Uplift Blade
29	50024794	1	Key, Spindle
30	44096	1	Lockwasher M36
31	50027685	1	Motor Mount Stand
32	15515	6	Hex Nut 1/2"



REF. NO.	PART NO.	QTY.	DESCRIPTION
33	65484	1	Key, Pulley
34	50025540	1	Split Steel Pulley
35	50027650	1	Spindle Assembly (See Parts Breakdown)
36	50027656	1	Deck Weldment w/ Decals
37	—	2	Hex Nut 5/16"
38	—	2	Capscrew 5/16" x 1-3/4"
39	—	2	Capscrew 5/16" x 1-1/4"
40	—	4	Lockwasher 5/16"
41	—	1	Capscrew 1/2" x 1-1/4"
42	44040	2	Safety Washer

Note: Bush Hog does not furnish repair parts for the Honda engine. See an authorized Honda dealer for service parts.

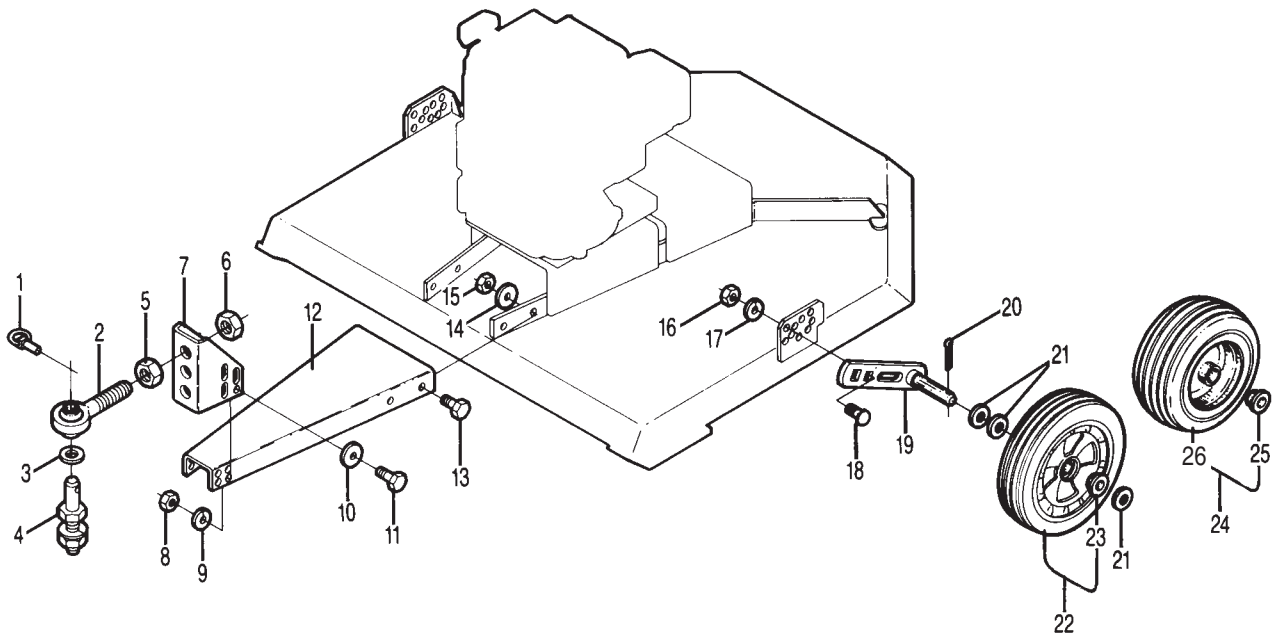
TONGUE AND AXLE ASSEMBLIES
 For GT42-01, GT42-02, GT42-03, GT42-04
 GT42-07, GT42-08, GT42-09



OLD STYLE HITCH

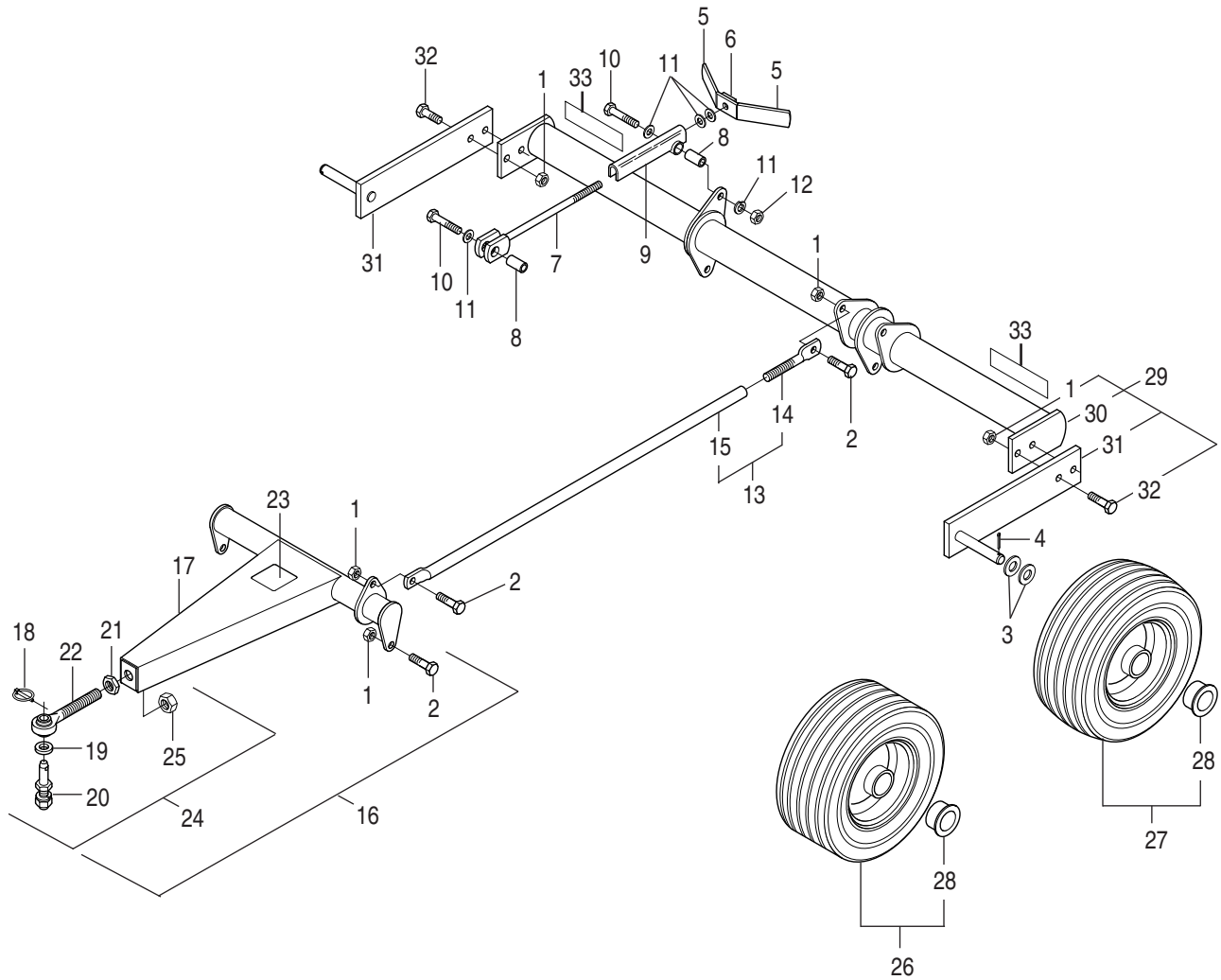
REF. NO.	PART NO.	QTY.	DESCRIPTION
26	—	1	Capscrew 3/8" x 1"
27	66376	1	Bottom Clevis
28	—	1	Flatwasher 3/8"
29	—	1	Lockwasher 3/8"
30	—	1	Hex Nut 3/8"

REF. NO.	PART NO.	QTY.	DESCRIPTION
1	—	6	Hex Nut 1/2"
2	—	6	Capscrew 1/2" x 1-1/4"
3	—	2	Hex Nut 3/8"
4	—	2	Capscrew 3/8" x 1"
5	66381	1	Turnbuckle Assembly
6	66411	1	Turnbuckle End (Long)
7	66412	1	Turnbuckle End (Short)
8	66378	1	Turnbuckle
9	66387	1	Leveling Bar Assembly
10	50034636	1	Link
11	66409	1	Leveling Bar Weldment
12	66372	1	Tongue Assembly
13	69391	1	Lynch Pin
14	69416	1	Rubber Washer
15	69388	1	Lift Arm Pin
16	44240	1	Jamnut
17	69392	1	Hitch Ball Joint
18	81753	1	Decal
19	50031522	1	Axle Weldment w/ Decals
20	—	3	Flatwasher 3/4"
21	—	1	Cotter Pin 1/8" x 1-1/4"
22	81763	1	Tire Assy. w/ Bearing (Ace Tuff Tires)
23	66138	2	Bearing
24	50028351	1	Tire Assy. w/ Bearing 13 x 5.00 - 6
25	63811	2	Bearing
26	78309	1	Swivel Ball Hitch Kit
27	—	1	Hex Nut 3/4" - 10 UNC
28	84784	2	Handle Grip
29	85347	1	Handle Weldment
30	85350	1	Rod Weldment
31	85356	2	Bushing Cuff
32	85353	1	Cuff Weldment
33	—	2	Capscrew 1/2" x 2-1/2"
34	—	6	Flatwasher 1/2"
35	—	2	Hex Nut 1/2"
36	50031213	2	Red Reflector



HITCH AND WHEELS
GT42-05, GT42-06

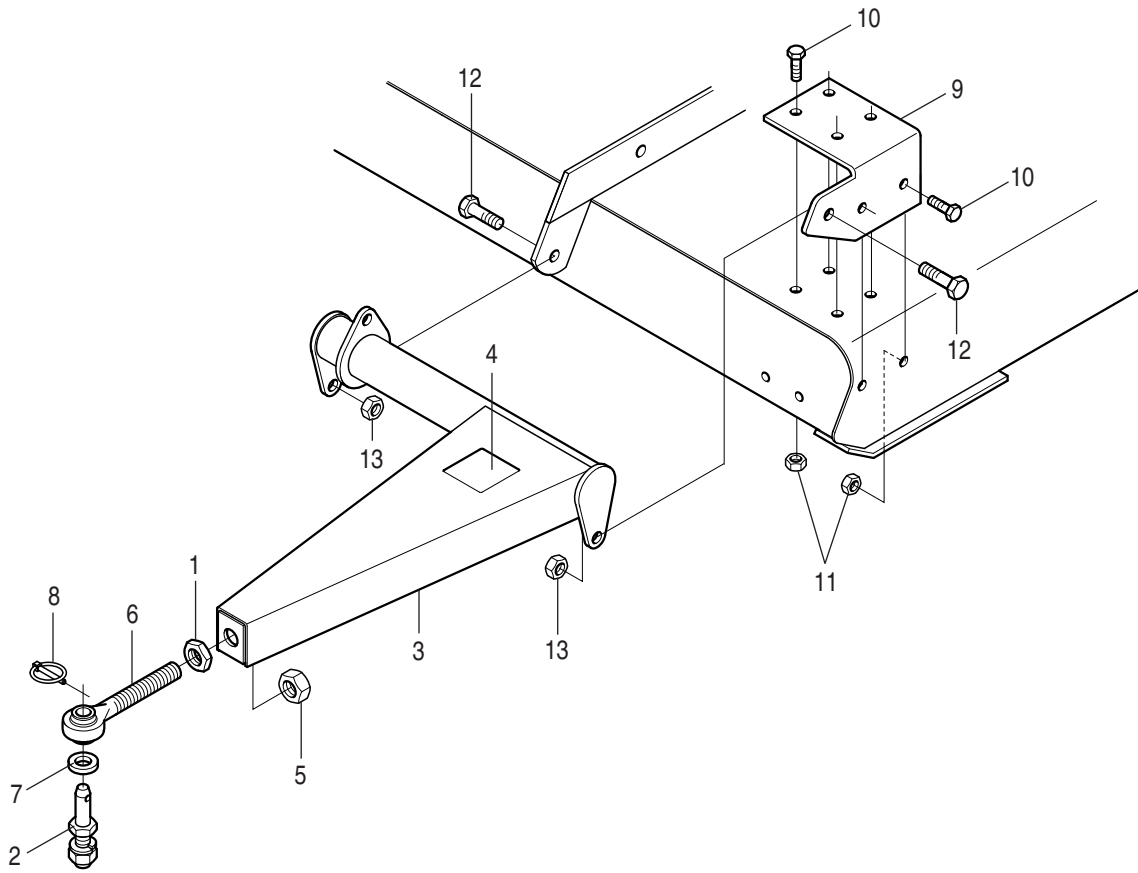
REF. NO.	PART NO.	QTY.	DESCRIPTION
1	69391	1	Lynch Pin
2	69392	1	Ball Joint (Hitch)
3	69416	1	Rubber Washer
4	69388	1	Hitch Pin (Adjustable)
5	44240	1	Jam Nut 3/4" - 10 UNC
6	—	1	Hex Nut 3/4" - 10 UNC
7	81602	1	Bracket, Hitch
8	—	4	Hex Nut 3/8" - 16 UNC
9	—	4	Lockwasher 3/8"
10	—	4	Flatwasher 3/8"
11	—	4	Capscrew 3/8" - 16 UNC x 1"
12	81605	1	Tongue
13	—	4	Capscrew 3/8" - 16 UNC x 1-1/4"
14	—	8	Flatwasher 3/8"
15	20363	4	Locknut 3/8" - 16 UNC
16	—	4	Hex Nut 3/8" - 16 UNC
17	—	4	Lockwasher 3/8"
18	20462	4	Carriage Bolt 3/8" - 16 UNC x 1-1/4"
19	81595	2	Spindle Weldment
20	—	2	Cotter Pin 1/8" x 1-1/4"
21	—	6	Flatwasher 3/4"
	82634	1	Wheel Assembly Bundle
22	81763	2	Tire Assembly
23	66138	4	Bushing
	82535	1	Flotation Tire Bundle
24	66881	2	Tire Assembly (High Flotation)
25	63811	4	Bushing
26	83344	1	Inner Tube



TONGUE & AXLE ASSEMBLY
For GT48

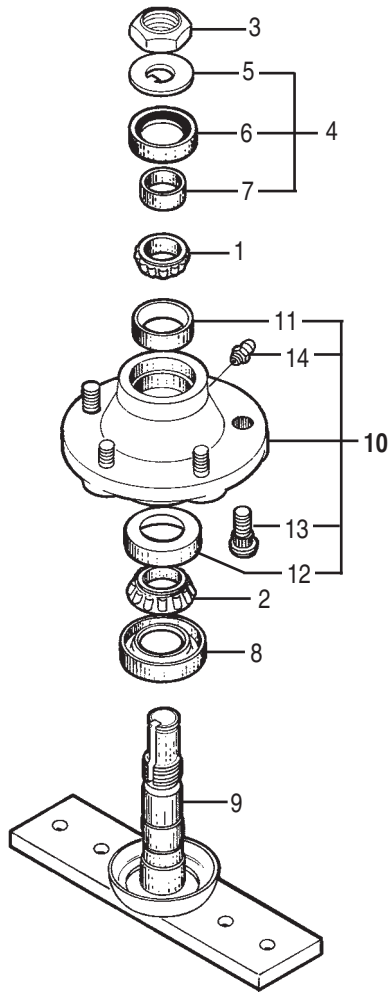
REF. NO.	PART NO.	QTY.	DESCRIPTION
1	15554	10	Locknut 1/2"
2	—	6	Capscrew 1/2" x 1-1/4"
3	—	4	Flatwasher 3/4"
4	—	1	Cotter Pin 1/8" x 1-1/4"
5	84784	2	Handle Grip
6	85347	1	Handle Weldment
7	85350	1	Rod Weldment
8	85356	2	Bushing, Cuff
9	85353	1	Cuff Weldment
10	—	2	Capscrew 1/2" x 2-1/2"
11	—	6	Flatwasher 1/2"
12	—	2	Hex Nut 1/2"
13	50034638	1	Leveling Bar Assembly
14	50034636	1	Rear Link
15	50034637	1	Leveling Rod
16	50027677	1	Tongue Assembly
17	50027670	1	Tongue Weldment
18	69391	1	Lynch Pin

REF. NO.	PART NO.	QTY.	DESCRIPTION
19	69416	1	Rubber Washer
20	69388	1	Lift Arm Pin
21	44240	1	Jamnut 3/4"
22	69392	1	Hitch Ball Joint
23	81753	1	Decal
24	78309	1	Swivel Ball Hitch Kit
25	—	1	Hex Nut 3/4" - 10 UNC
26	50024821	2	Solid Tire Assembly
27	50028351	2	Flotation Tire Assembly
			13 X 5.00 - 6
28	63811	2	Bushing
29	50036267	1	Axle Assembly
30	50036265	1	Axle Weldment
31	50036263	2	Spindle Weldment
32	—	4	Capscrew 1/2" x 1-3/4"
33	50034213	2	Red Reflector



50027690 OFFSET TONGUE ASSEMBLY
For GT48

REF. NO.	PART NO.	QTY.	DESCRIPTION
1	44240	1	Jamnut 3/4"
2	69388	1	Adjustable Lift Arm Pin
3	50027681	1	Offset Tongue Weldment
4	81753	1	Warning Decal
5	44141	1	Hex Nut 3/4"
6	69392	1	Hitch Ball Joint
7	69416	1	Rubber Washer
8	69391	1	Lynch Pin
9	50027684	1	Mounting Bracket
10	—	6	Capscrew 3/8" x 1"
11	9131200	6	Locknut 3/8"
12	—	2	Capscrew 1/2" x 1-1/4"
13	15554	2	Locknut 1/2"

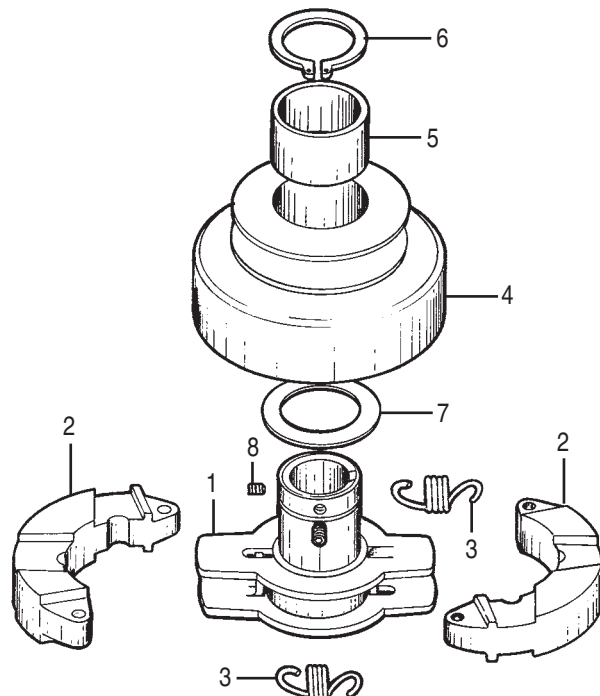


65523 SPINDLE, HUB & BLADE BAR ASSEMBLY
 GT42-01 through GT42-04
 GT42-07, GT42-08, GT42-09

REF. NO.	PART NO.	QTY.	DESCRIPTION
1	50076	1	Bearing, Upper
2	14-6-241	1	Bearing, Lower
3	61484	1	Hex Nut
4	81274	1	Seal & Bushing Kit
5	67144	1	Keyed Washer
6	—	1	Seal, Upper
7	—	1	Bushing
8	65522	1	Seal, Lower
9	65510	1	Blade Bar & Spindle
10	65487	1	Hub Assembly
11	14-6-197	1	Bearing Cup, Upper
12	14-6-242	1	Bearing Cup, Lower
13	20775	5	Hub Bolt
14	449	1	Grease Fitting

CENTRIFUGAL CLUTCH
 GT42-01 through GT42-04
 For replacement of complete clutch
 order 81697 clutch assembly.

REF. NO.	PART NO.	QTY.	DESCRIPTION
1	67136	1	Hub
2	67137	2	Shoe
3	67138	2	Spring (Yellow)
4	81698	1	Drum
5	81699	1	Bearing
6	67141	1	Ring
7	67142	1	Washer
8	67143	2	Setscrew

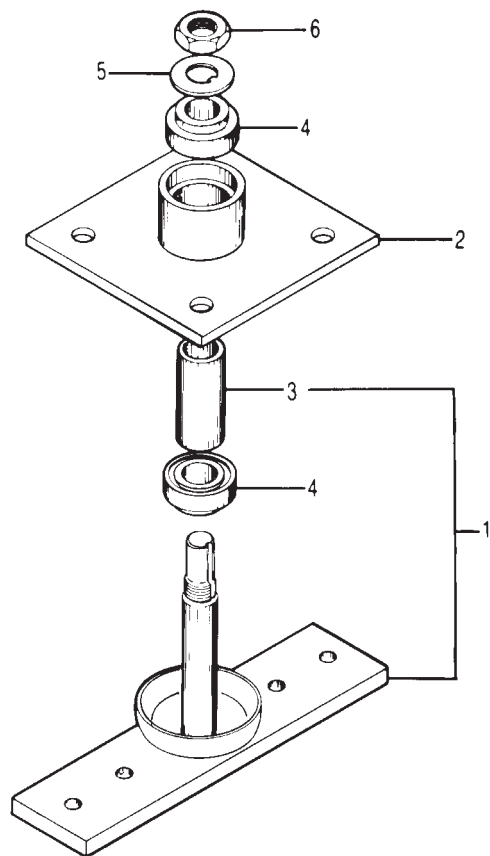


SPINDLE ASSEMBLY

GT42-05 Serial No. 11000686 and Below
 GT42-06 Serial No. 11000294 and Below
For replacement of complete spindle assembly order part number 84332

REF. NO.	PART NO.	QTY.	DESCRIPTION
1	81926	1	Spindle Kit
2	81924	1	Spindle Housing Weldment
3	N/A	1	Spacer
4	50005999	2	Bearing
5	81964	1	Retaining Washer
6	15626	1	Jam Nut 7/8" - 14 UNF

84332 is non sellable remove part number change note.

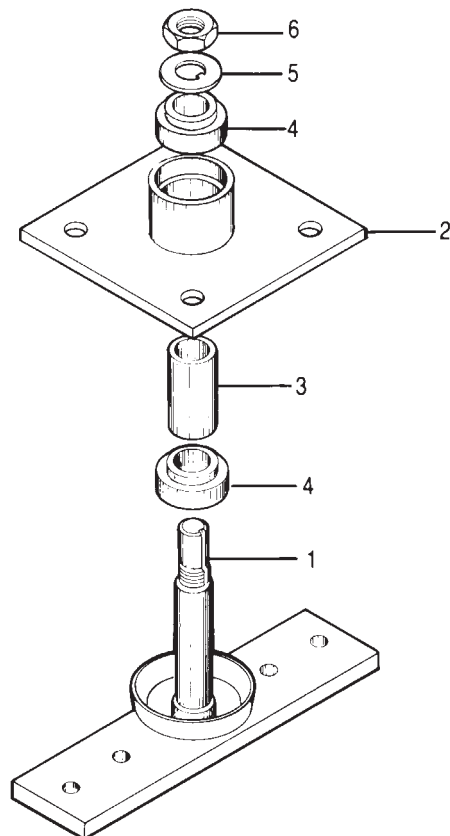


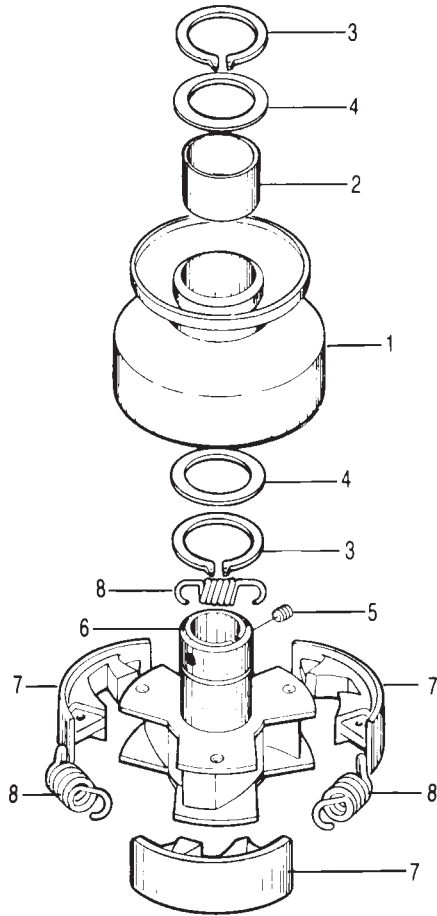
84332 is non sellable remove part number.

84332 SPINDLE ASSEMBLY

GT42-05 Serial No. 11000687 and Above
 GT42-06 Serial No. 11000295 and Above

REF. NO.	PART NO.	QTY.	DESCRIPTION
1	84331	1	Spindle Weldment
2	81924	1	Spindle Housing Weldment
3	84328	1	Spacer
4	50005999	2	Bearing
5	81964	1	Retaining Washer
6	44363	1	Jam Nut 7/8" - 14 UNF Nylock

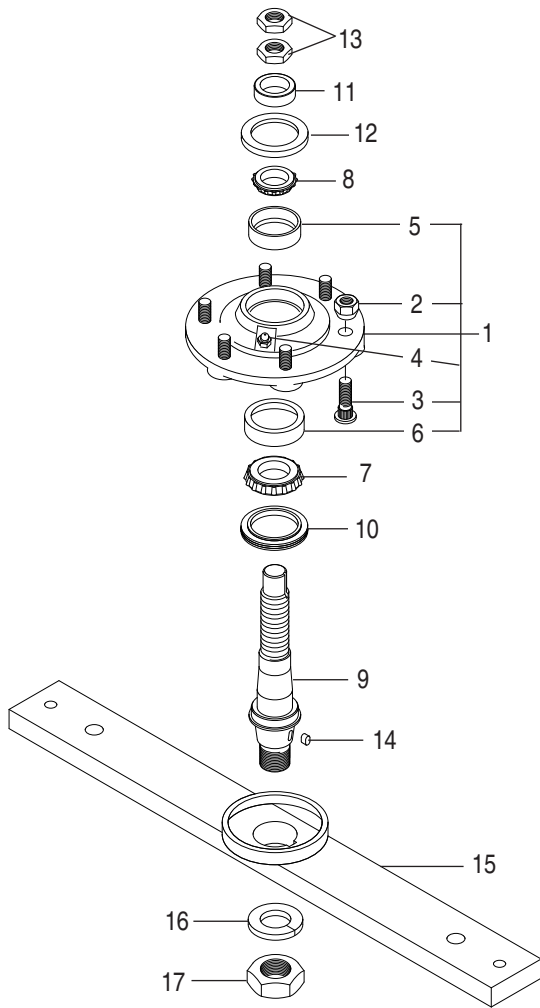




81697 CENTRIFUGAL CLUTCH
 For GT42 Models
 GT42-05, GT42-06, GT42-07, GT42-08, GT42-09

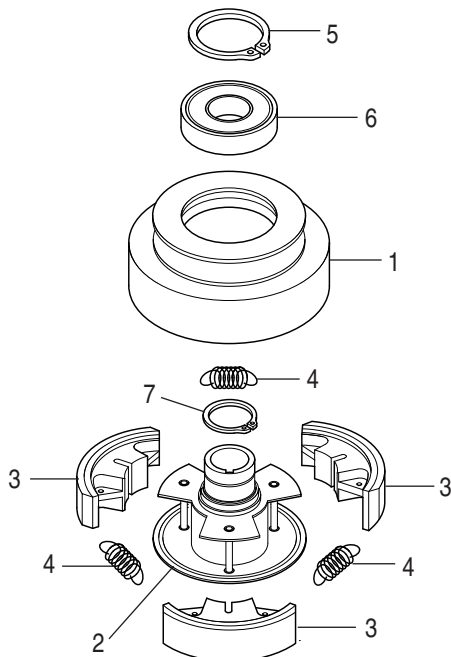
REF. NO.	PART NO.	QTY.	DESCRIPTION
1	81698	1	Drum
2	81699	1	Bushing
3	67141	2	Ring
4	67142	2	Washer
5	81702	2	Setscrew
6	N/A*	1	Hub
7	81704	3	Shoe
8	67138	3	Spring (Yellow)

*Not available as a replacement part.
 For replacement of hub order complete 81697 Clutch Assembly.



50027650 SPINDLE ASSEMBLY
For Model GT48

REF. NO.	PART NO.	QTY.	DESCRIPTION
1	24-6-138	1	Hub Assembly
2	15515	6	Lug Nut 1/2" UNF
3	20775	6	Lug Bolt 1/2" UNF
4	449	1	Grease Fitting
5	14-6-197	1	Outer Bearing Cup
6	24-6-201	1	Inner Bearing Cup
7	24-6-139	1	Bearing Cone
8	50076	1	Bearing Cone
9	50027641	1	Shaft, Spindle
10	7968	1	Seal, Triple Lip
11	50027652	1	Bushing
12	81272	1	Oil Seal
13	61484	2	Hex Gearbox Nut
14	50024794	1	Key, Square .44 x .75
15	50027651	1	Blade Bar
16	44096	1	Lockwasher M36
17	61482	1	Hex Jam Nut

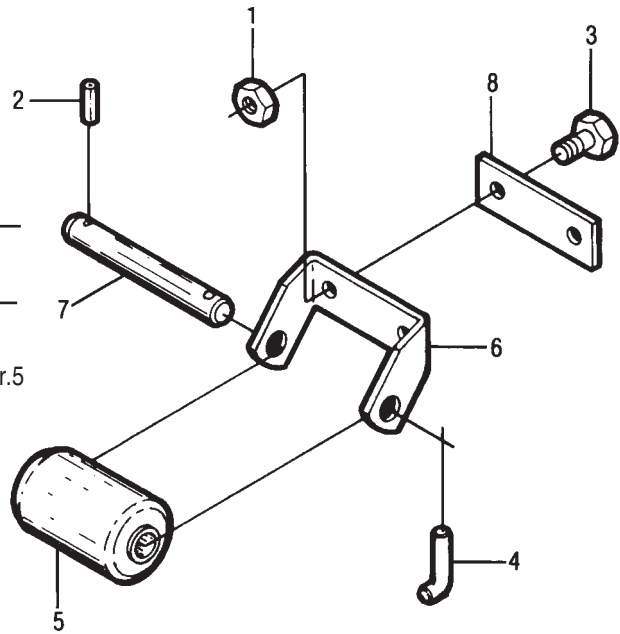


50025586 CLUTCH
For Model GT48

REF. NO.	PART NO.	QTY.	DESCRIPTION
1	50027299	1	Drum
2	50027300	1	Hub Assembly
3	50027301	3	Shoe
4	50027302	3	Spring
5	50027303	1	Snap Ring
6	50027304	1	Bearing
7	50027305	1	Snap Ring

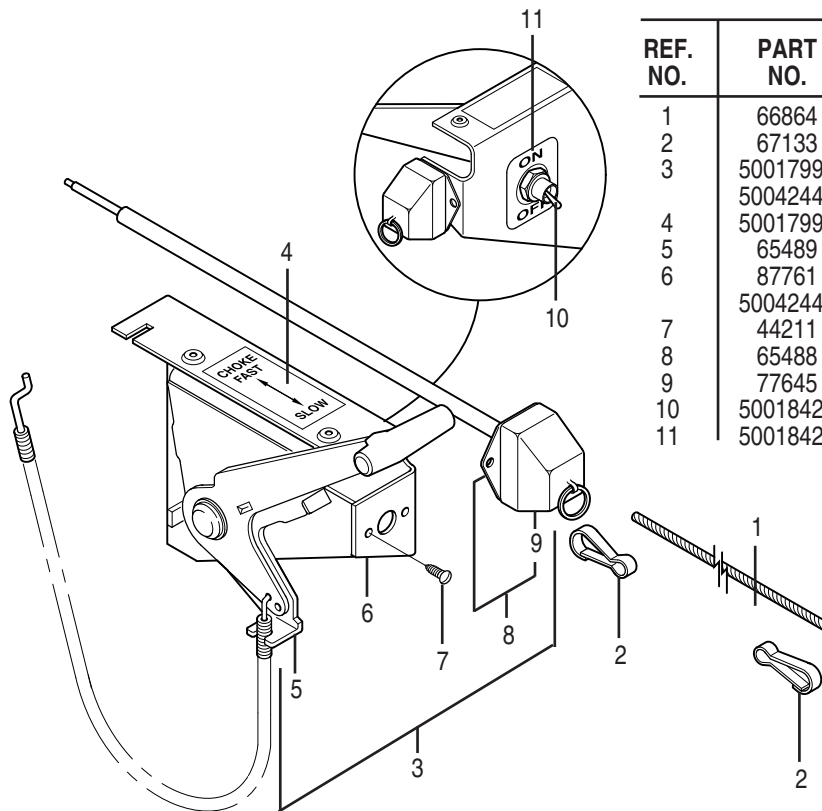
78561 ANTI-SCALP ASSEMBLY For All Models GT42

REF. NO.	PART NO.	QTY.	DESCRIPTION
1	20363	2	Locknut 3/8" – 16 UNC
2	19443	1	Roll Pin
3	44166	2	Capscrew 3/8" – 16 UNC x 1-1/4" Gr.5
4	79055	1	Retainer Pin
5	79057	1	Roller Assembly
6	79058	1	Roller Weldment
7	79091	1	Roller Shaft
8	79092	1	Backing Plate



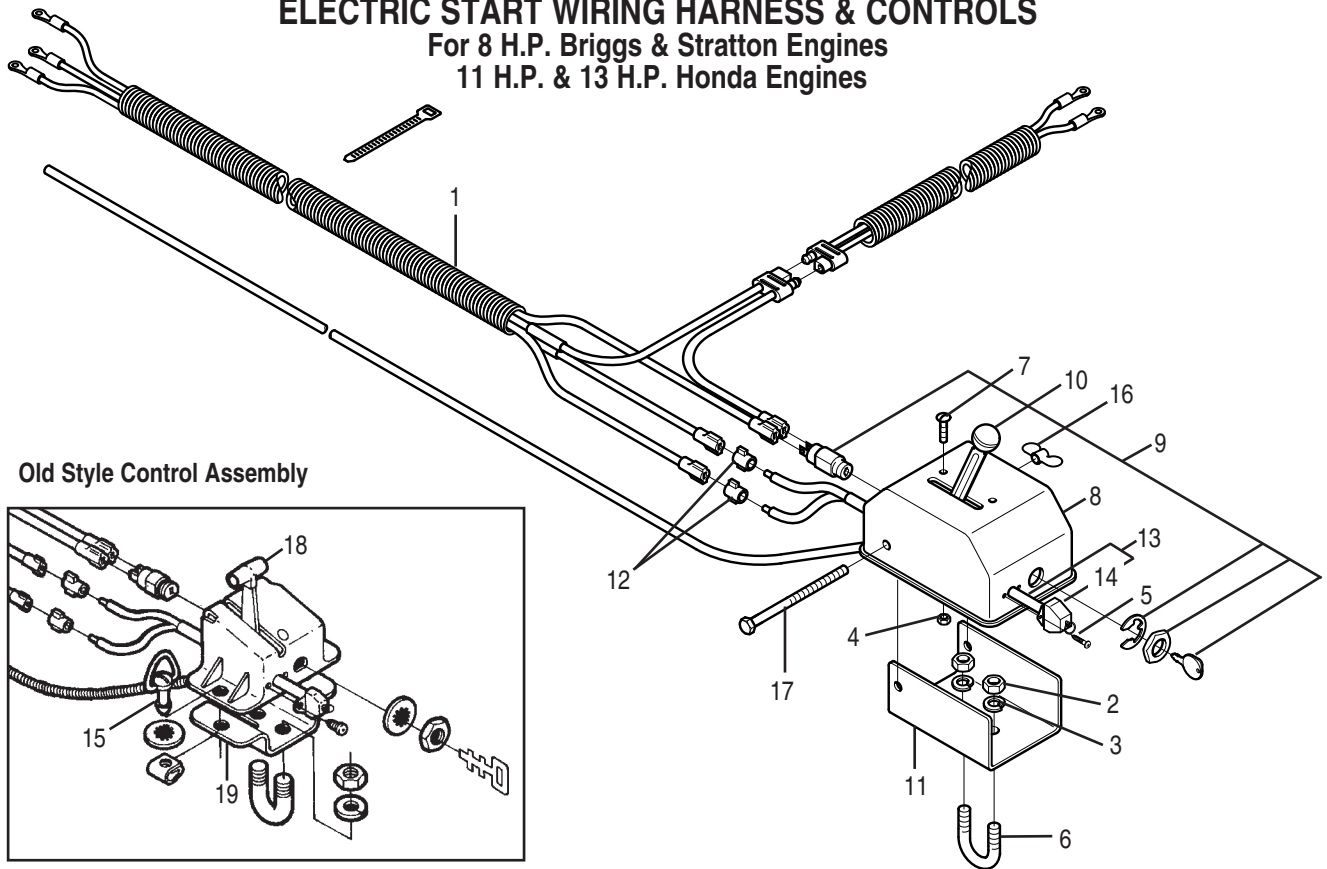
THROTTLE CONTROL & SAFETY SWITCH For GT42 Manual Start Models

REF. NO.	PART NO.	QTY.	DESCRIPTION
1	66864	1	Safety Cord 96"
2	67133	2	Spring Clip
3	50017995	1	Control Assembly
	50042442	1	Control Assembly, GT42-09
4	50017994	1	Control Decal
5	65489	1	Throttle Control
6	87761	1	Control Mount Bracket
	50042443	1	Control Mount Bracket, GT42-09
7	44211	2	Self-Tapping Screw
8	65488	1	Tether Switch
9	77645	1	Switch Cap
10	50018428	1	Toggle Switch
11	50018429	1	"On-Off" Decal



ELECTRIC START WIRING HARNESS & CONTROLS

For 8 H.P. Briggs & Stratton Engines
11 H.P. & 13 H.P. Honda Engines



REF. NO.	PART NO.	QTY.	DESCRIPTION
1	78874	1	Wiring Harness
	50028382	1	Control Assembly
2	—	2	Hex Nut 3/8"
3	—	2	Lockwasher 3/8"
4	44520	2	Locknut #10
5	44211	1	Self-Tapping Screw
6	66476	1	U-Bolt
7	4140604	2	Machine Screw #10
8	50028380	1	Control Mount Bracket
9	78892	1	Key, Switch Ignition w/ Fasteners
10	50030741	1	Throttle Control
11	50028381	1	Mount Bracket
12	79218	2	Wire Connector

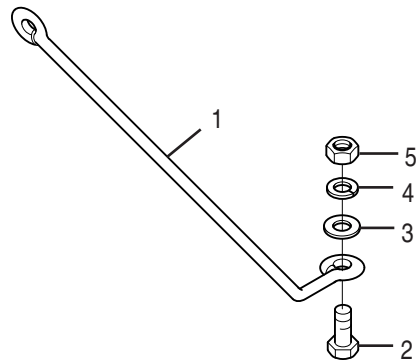
REF. NO.	PART NO.	QTY.	DESCRIPTION
13	65488	1	Tether Switch
14	77645	1	Rubber Replacement Cap
15	79947	2	Quarter Turn Fastener
16	11151000	1	Wing Nut 5/16"
17	—	1	Cap screw 5/16" x 4-1/4"
18	78924	1	Throttle Control, Old Style
19	78925	1	Mount Bracket, Old Style

NOTE: A complete starter kit (Part No. 78883) may be ordered which includes:
 (1) Starter for Briggs & Stratton Engine
 (1) Wiring Harness
 (1) Control Assembly
 (5) Cable Ties

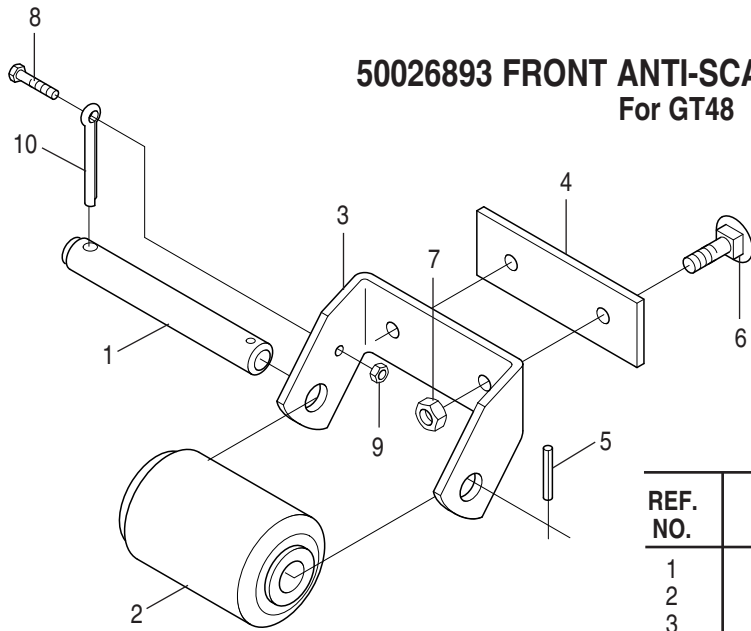
92854 CABLE HOLDER

For GT42-08, GT48

REF. NO.	PART NO.	QTY.	DESCRIPTION
1	91590	1	Cable Holder
2	—	1	Capscrew, 3/8" x 1-1/4" Gr.5
3	—	1	Flatwasher 3/8"
4	—	1	Lockwasher 3/8"
5	—	1	Hex Nut 3/8"

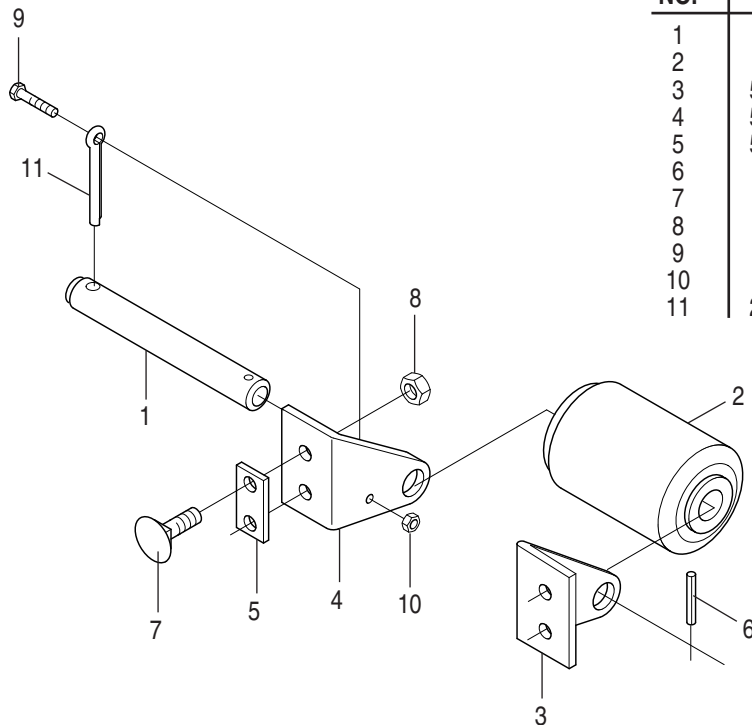


50026893 FRONT ANTI-SCALP ROLLER KIT For GT48

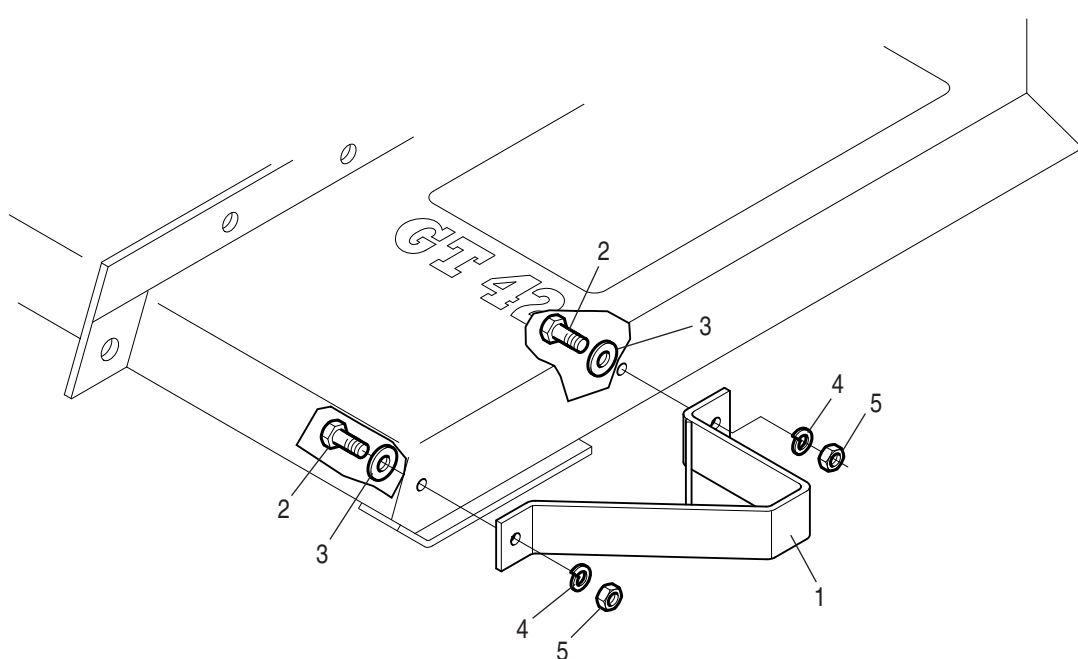


REF. NO.	PART NO.	QTY.	DESCRIPTION
1	83055	1	Roller Shaft
2	79057	1	Roller Assembly
3	79058	1	Roller Bracket
4	79092	1	Backing Plate
5	19443	1	Roll Pin
6	—	2	Cipd. Sq. Hd. Bolt 3/8" x 1-1/4"
7	20363	2	Locknut 3/8"
8	—	1	Capscrew 1/4" x 3/4"
9	15608	1	Locknut 1/4"
10	21020820	1	Cotter Pin 1/4" x 2"

50027686 REAR ANTI-SCALP ROLLER KIT For GT48



REF. NO.	PART NO.	QTY.	DESCRIPTION
1	83055	1	Roller Shaft
2	79057	1	Roller Assembly
3	50026895	1	Rear Bracket, L.H.
4	50026896	1	Rear Bracket, R.H.
5	50026897	2	Rear Bracket Backing Plate
6	19443	1	Roll Pin
7	—	4	Cipd. Sq. Hd. Bolt 3/8" x 1-1/4"
8	20363	4	Locknut 3/8"
9	—	1	Capscrew 1/4" x 3/4"
10	15608	1	Locknut 1/4"
11	21020820	1	Cotter Pin 1/4" x 2"



**95776 BUMPER KIT
GT42 & GT48**

REF. NO.	PART NO.	QTY.	DESCRIPTION
1	95590	2	Bumper
2	—	4	Capscrew 3/8" x 1" Gr. 5
3	—	4	Flatwasher 3/8"
4	—	4	Lockwasher 3/8"
5	—	4	Lockwasher 3/8"



BUSH HOG[®]

2501 Griffin Ave. • Selma, AL 36703
(334) 872-6261 • (334) 874-2700
Parts Ordering 1-800-304-2836
Fax 1-800-572-1784
www.bushhog.com