

**BRC 115/118/120/125**

**BUSH HOG®**

**FLAIL SHREDDER**

Revised 01/22

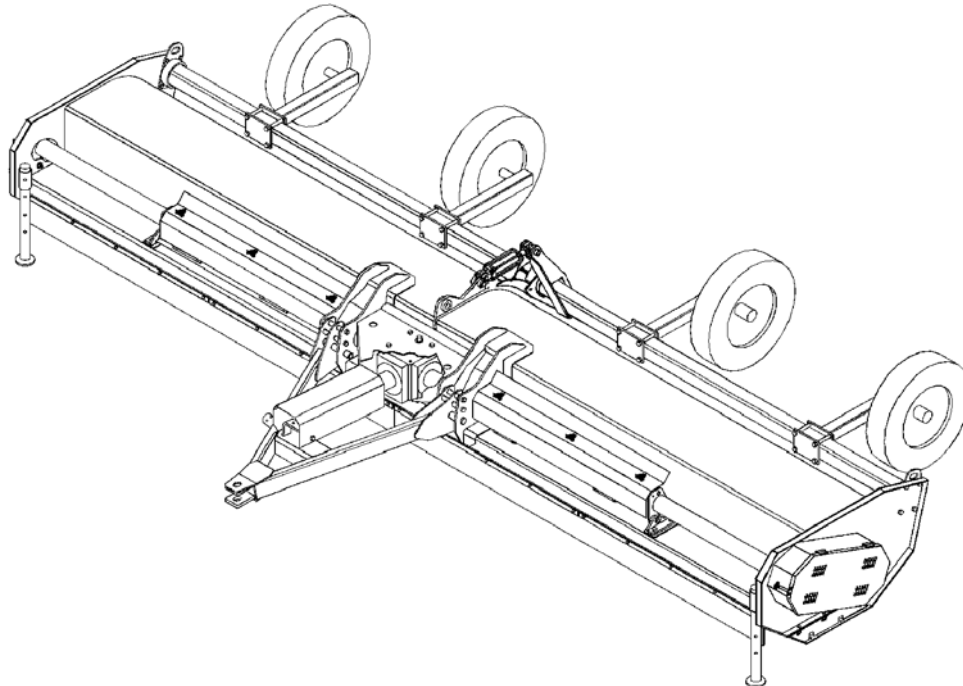
LAND MAINTENANCE PARTS MANUAL

# **PARTS MANUAL**

## **SECTION 106**



An Operator's Manual was shipped with the equipment . The Operator's Manual is an integral part of the safe operation of this machine and must be maintained with the unit at all times. **READ, UNDERSTAND, and FOLLOW** the Safety and Operation Instructions contained in this manual before operating the equipment. If the Operator's Manual is not with the equipment, contact your dealer or Bush Hog to obtain a Free copy before operating the equipment.



**BUSH HOG®**

2501 Griffin Ave.

Selma, AL 36703

334-874-2700

[www.bushhog.com](http://www.bushhog.com)

**¡ATENCIÓN!**

LEA EL INSTRUCTIVO



Si No Lee Ingles, Pida  
Ayuda a Alguien  
Que Se Lo Lea Para Que le  
Traduzca Las  
Medidas de Seguridad

©2011 Alamo Group Inc.



## PARTS ORDERING GUIDE

The following instructions are offered to help eliminate needless delay and error in processing purchase orders for the equipment in this section.

1. The Parts Section is prepared in logical sequence and grouping of parts that belong to the basic machine featured in this manual. Part Numbers and Descriptions are given to help locate the parts and quantities required.
2. The Purchase Order must include the name and address of the person or organization ordering the parts, who should be charged, and if possible, the serial number of the machine for which the parts are ordered.
3. The Purchase Order must clearly list the quantity of each part, the complete and correct part number (be sure to include all periods), and the basic name of the part.
4. The Manufacturer reserves the right to substitute parts where applicable.
5. Some parts are unlisted items which are special production items not normally stocked and are subject to special handling. Request a quotation for such parts before sending a Purchase Order.
6. The Manufacturer reserves the right to change prices without prior notice.



For maximum safety and to guarantee optimum product reliability, always use genuine BUSH HOG Parts. The use of inferior replacement parts may cause premature or catastrophic failure which could result in serious injury or death. Direct any questions regarding parts to:

**BUSH HOG**  
**2501 Griffin Ave.**  
**Selma, AL 36703**  
**[www.bushhog.com](http://www.bushhog.com)**  
**Contact Us**  
**800-304-2836**



**BUSH HOG®**

# To the Owner/Operator/Dealer



All implements with moving parts are potentially hazardous. There is no substitute for a cautious, safe-minded operator who recognizes the potential hazards and follows reasonable safety practices. The manufacturer has designed this implement to be used with all its safety equipment properly attached to minimize the chance of accidents.

**BEFORE YOU START!** Read the safety messages on the implement and shown in your manual. Observe the rules of safety and common sense!



# DANGER

FAILING TO FOLLOW SAFETY MESSAGES AND OPERATING INSTRUCTION CAN CAUSE SERIOUS BODILY INJURY OR EVEN DEATH TO OPERATOR AND OTHERS IN THE AREA.

<b>1.</b> 	<b>2. NO RIDERS. NO CHILDREN OPERATORS</b> 	<b>3. USE SAFETY SHOES, HARD HAT, SAFETY GLASSES, SEAT BELTS, ROPS &amp; OPS.</b> 	<b>4. BLOCK UP SECURELY BEFORE WORKING UNDER.</b> 
--	---	---	--

**1.** Study and understand Operator's Manuals, Safety Decals, and Instructional Decals for tractor and implement to prevent misuse, abuse, and accidents. Practice before operating in a confined area or near passersby.  
• Learn how to stop engine suddenly in an emergency. Be alert for passersby and especially children.

**2.** Allow no children on or near folding mower or tractor. Allow no riders on tractor or implement. Falling off may cause serious injury or death from being run over by tractor or mower or contact with rotating blades.

**3.** Operate only with tractor having Roll-Over Protective Structure (ROPS) and with seat belt securely fastened to prevent injury and possible death from falling off or tractor overturn.  
• Personal Protective Equipment such as Hard Hat, Safety Glasses, Safety Shoes, & Ear Plugs are recommended.



**4.** Block up or support raised machine and all lifted components securely before putting hands or feet under or working underneath any lifted component to prevent crushing injury or death from sudden dropping or inadvertent operation of controls. Make certain area is clear before lowering or folding.

**5.** Before transporting, put Lift Lever in detent or full-lift position. Install Transport Safety Devices securely on folding mowers. Put Booms securely in Transport Rest.  
• Folding and Boom Mowers have raised center of gravity. Slow down when turning and on hillsides.

**6.** Make certain that SMV sign, warning lights, and reflectors are clearly visible. Follow local traffic codes.

**7.** Never operate with Cutting Head or Folding Section raised if passersby, bystanders, or traffic are in the area to reduce possibility of injury or death from objects thrown by Blades under Guards or mower structure.

**8.** Before dismounting, secure implement in transport position or lower to ground.  
• Put tractor in park position or set brake, disengage PTO, stop engine, remove key, and wait until noise of rotation has ceased to prevent crushing by entanglement in rotating parts which could cause injury or death.  
• Never mount or dismount a moving vehicle. Crushing from runover may cause serious injury or death.

<b>5. TRANSPORT SAFELY, LOCK UP.</b> 	<b>6. USE SMV, LIGHTS, &amp; REFLECTORS.</b> 	<b>7. DO NOT OPERATE WITH CUTTER OR WING RAISED</b> 	<b>8. DO NOT MOUNT OR DISMOUNT WHILE MOVING.</b> 
---	---	---	---

02967827

## WARRANTY INFORMATION:

Read and understand the complete Warranty Statement found in this Manual. Fill out the Warranty Registration Form in full and return it to within 30 Days. Make certain the Serial Number of the Machine is recorded on the Warranty Card and on the Warranty Form that you retain.

# LIMITED WARRANTY

Bush Hog warrants to the original purchaser of any new Bush Hog equipment, purchased from an authorized Bush Hog dealer, that the equipment be free from defects in material and workmanship for a period of one (1) year for non-commercial, state and municipalities' use and ninety (90) days for commercial use from date of retail sale. The obligation of Bush Hog to the purchaser under this warranty is limited to the repair or replacement of defective parts.

Replacement or repair parts installed in the equipment covered by this limited warranty are warranted for ninety (90) days from the date of purchase of such part or to the expiration of the applicable new equipment warranty period, whichever occurs later. Warranted parts shall be provided at no cost to the user at an authorized Bush Hog dealer during regular working hours. Bush Hog reserves the right to inspect any equipment or parts which are claimed to have been defective in material or workmanship.

## DISCLAIMER OF IMPLIED WARRANTIES & CONSEQUENTIAL DAMAGES

Bush Hog's obligation under this limited warranty, to the extent allowed by law, is in lieu of all warranties, implied or expressed, **INCLUDING IMPLIED WARRANTIES OF MERCHANTABILITY AND FITNESS FOR A PARTICULAR PURPOSE** and any liability for incidental and consequential damages with respect to the sale or use of the items warranted. Such incidental and consequential damages shall include but not be limited to: transportation charges other than normal freight charges; cost of installation other than cost approved by Bush Hog; duty; taxes; charges for normal service or adjustment; loss of crops or any other loss of income; rental of substitute equipment, expenses due to loss, damage, detention or delay in the delivery of equipment or parts resulting from acts beyond the control of Bush Hog.

## THIS LIMITED WARRANTY SHALL NOT APPLY:

1. To vendor items which carry their own warranties, such as engines, tires, and tubes.
2. If the unit has been subjected to misapplication, abuse, misuse, negligence, fire or other accident.
3. If parts not made or supplied by Bush Hog have been used in connection with the unit, if, in the sole judgement of Bush Hog such use affects its performance, stability or reliability.
4. If the unit has been altered or repaired outside of an authorized Bush Hog dealership in a manner which, in the sole judgement of Bush Hog, affects its performance, stability or reliability.
5. To normal maintenance service and normal replacement items such as gearbox lubricant, hydraulic fluid, worn blades, or to normal deterioration of such things as belts and exterior finish due to use or exposure.
6. To expendable or wear items such as teeth, chains, sprockets, belts, springs and any other items that in the company's sole judgement is a wear item.

NO EMPLOYEE OR REPRESENTATIVE OF BUSH HOG IS AUTHORIZED TO CHANGE THIS LIMITED WARRANTY IN ANY WAY OR GRANT ANY OTHER WARRANTY UNLESS SUCH CHANGE IS MADE IN WRITING AND SIGNED BY BUSH HOG'S SERVICE MANAGER, 2501 GRIFFIN AVE., SELMA, ALABAMA 36703.

Record the model number, serial number and date purchased. This information will be helpful to your dealer if parts or service are required.

MODEL NUMBER \_\_\_\_\_

SERIAL NUMBER \_\_\_\_\_

DATE OF RETAIL SALE \_\_\_\_\_

MAKE CERTAIN THE WARRANTY  
HAS BEEN FILED WITH BUSH HOG  
SELMA, ALABAMA

# TABLE OF CONTENTS

## FLAIL SHREDDER

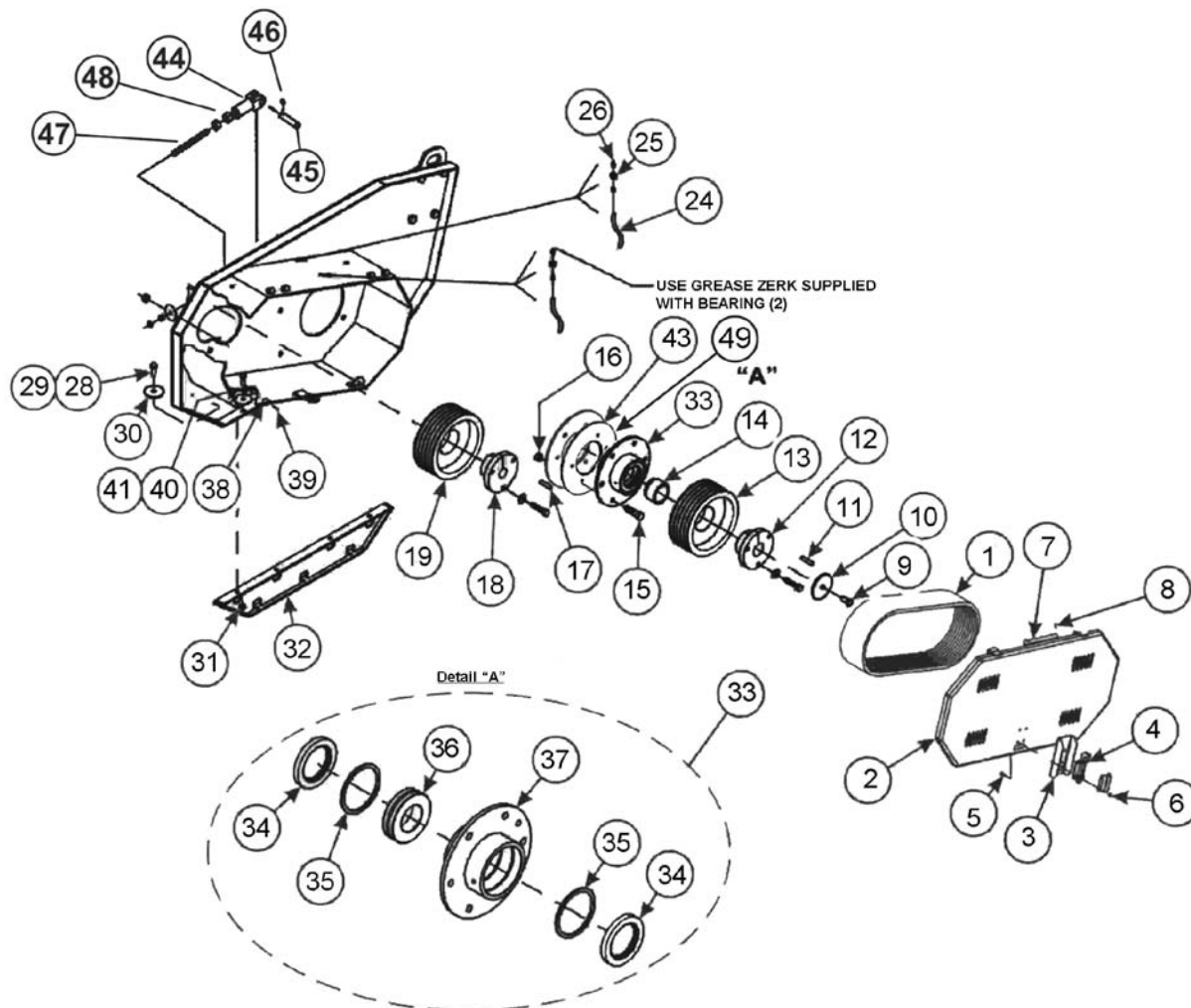
### 115, 118, 120 & 125

---

<b>COMPONENT</b>	<b>PAGE</b>
Belt Drive - 115/118/120.....	106-1-1
Belt Drive -125.....	106-1-2
Caster Assembly - 115/118.....	106-1-3
Caster Assembly - 120/125.....	106-1-4
Cutting Reel Assembly - 115/118/120.....	106-1-5
Cutting Reel Assembly - 125.....	106-1-6
Decals.....	106-6-1
Drivelines.....	106-2-1 thru 106-2-4
Drivetube Assembly - 115/118/120.....	106-1-7
Drivetube Assembly - 125.....	106-1-8
End Tow Kit Assembly - Pull Type.....	106-1-10, 106-1-11
End Tow Kit Assembly - Semi-Mount.....	106-1-12, 106-1-13
Gearbox Assembly.....	106-2-5
General Assembly - 115/118.....	106-1-14, 106-1-15
General Assembly - 120/125.....	106-1-16, 106-1-17
Hitch Assembly.....	106-1-18
Hydraulics.....	106-3-1, 106-3-2
Safety Light Kit Assemblies & Lamps.....	106-5-1 thru 106-5-4
Tongue Assembly.....	106-1-9
Wheel Bar Assembly 115/118.....	106-4-1
Wheel Bar Assembly 120/125.....	106-4-2
Wheel Hub Assembly.....	106-4-3
Wheel Spindle Assembly, 6 - Bolt.....	106-4-4

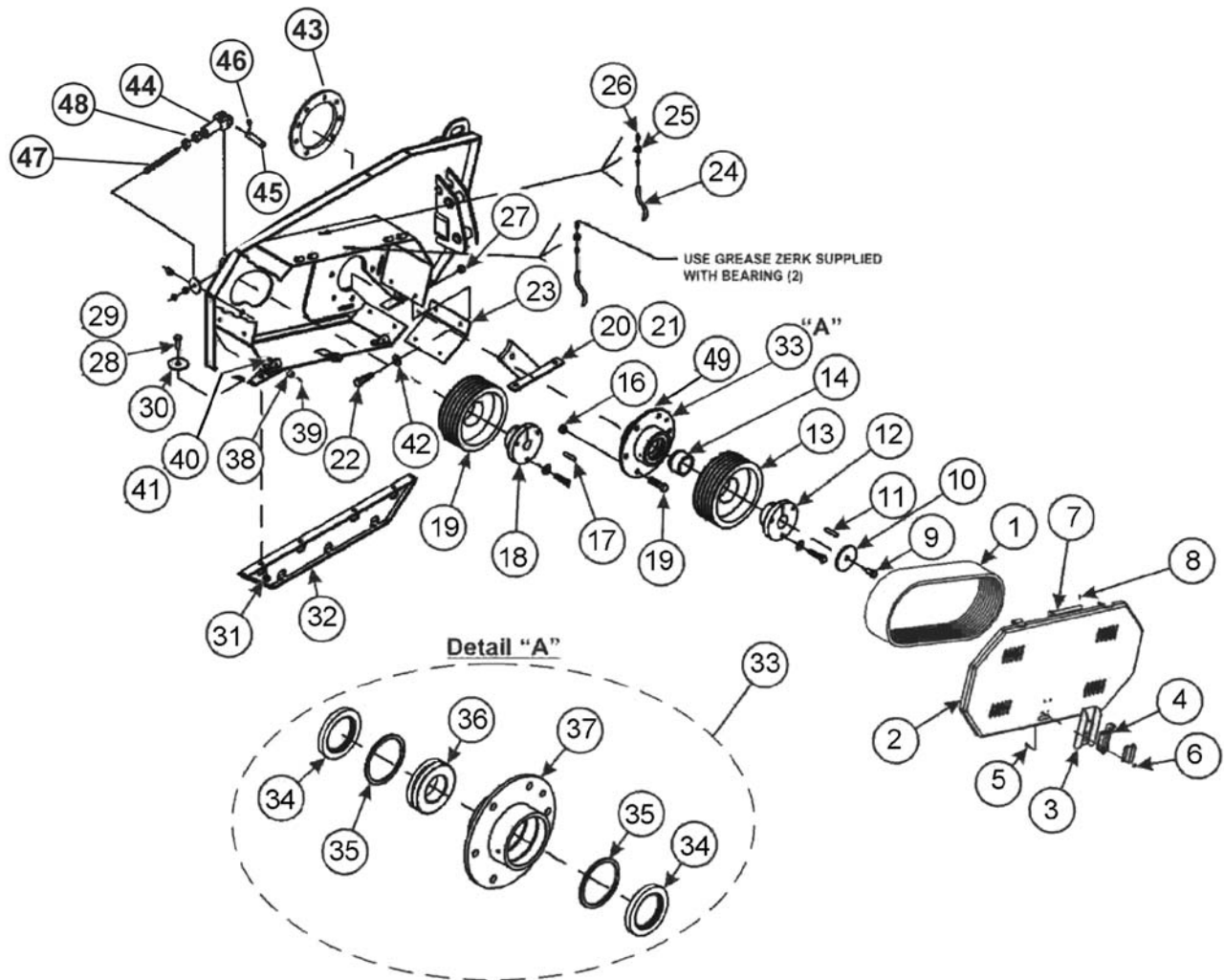


### BELT DRIVE - 115/118/120



Ref. No.	Part No.	Description	Qty.	Ref. No.	Part No.	Description	Qty.
1	00724090	Belt, Banded	2	28	02030700	Capscrew, 1/2" x 1-1/4"	4
2	00726702	Shield, Belt	2	29	-----	Capscrew, 1/2" x 1-1/2"	4
3	00726700	Plate, Latch	2	30	00002700	Flatwasher, 1/2"	8
4	00726706	Latch, Slam	2	31	00001800	Nut, Toplock, 1/2"	8
5	-----	Nut, Toplock, 1/4"	8	32	00725604	Plate, Extension End	2
6	-----	Capscrew, 1/4" x 3/4"	8	33	00726729	Housing, Bearing Drive	2
7	00726132	Pin, Clevis	4	34	00726709	Seal	2
8	001856	Pin, Roll	4	35	00726710	Ring	2
9	-----	Bolt, 5/8" x 2-1/4"	6	36	00726708	Bearing	1
10	552214	Flatwasher	4	37	00726675	Housing, Bearing Drive	1
11	00725073	Key, 1/2" x 2-1/2"	2	38	00726707	Stop, Rubber Bumper	4
12	00726294	Bushing	2	39	31864H5C	Capscrew, Soc. Hd., 1/4" x 3/4" Gr. 5	4
13	00726698	Pulley	2	40	-----	Lockwasher, 1/4" Gr. 8	4
14	00726688	Spacer, Drive End	2	41	-----	Hex Nut, 1/4"	4
15	02845500	Bolt, 5/8" x 2"	16	43	00726679	Plate, Bearing Anti-Wrap	2
16	00695100	Nut, Toplock, 5/8"	18	44	00726288	Clevis Yoke, 5/8"	2
17	00725109	Key, 3/8" x 2-1/2"	4	45	-----	Clevis Pin, 1/2" x 1-1/2"	2
18	00724049	Bushing	2	46	-----	Cotter Pin, 1/8" x 1-1/2"	2
19	00723940	Pulley	2	47	00726293	Adjuster Rod, 5/8"	2
24	00725710	Hose	4	48	-----	Hex Nut, 5/8"	6
25	-----	Coupling	4	49	00726869	Bearing Plate Shim	1
26	4720	Fitting, Grease	2				

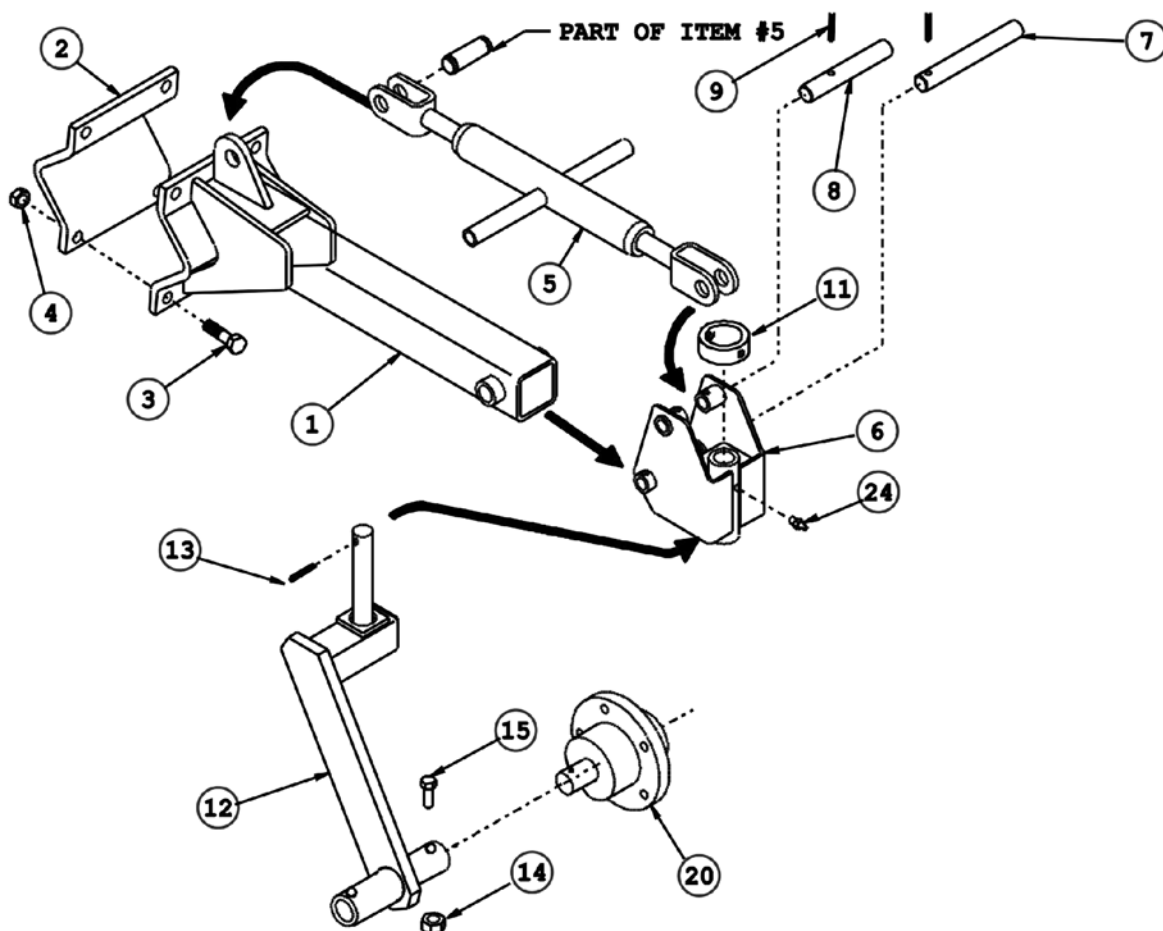
### BELT DRIVE - 125



Ref. No.	Part No.	Description	Qty.	Ref. No.	Part No.	Description	Qty.
1	00724090	Belt, Banded	2	26	4720	Fitting, Grease	2
2	00726702	Shield, Belt	2	27	-----	Nut, Toplock, 3/8"	8
3	00726700	Plate, Latch	2	28	02030700	Capscrew, 1/2" x 1-1/4"	4
4	00726706	Latch, Slam	2	29	-----	Capscrew, 1/2" x 2-1/2"	4
5	-----	Phlp Screw Pan Hd, 10-24 x 3/8"	12	30	00002700	Flatwasher, 1/2"	8
6	-----	Locknut, 10-24	12	31	00001800	Nut, Toplock, 1/2"	8
7	00726132	Pin, Clevis	4	32	00725604	Plate, Extension End	2
8	001856	Pin, Roll	4	33	00726729	Housing, Bearing Drive	2
9	-----	Bolt, 5/8" x 2-1/4"	6	34	00726709	Seal	2
10	552214	Flatwasher, Special	4	35	00726710	Ring	2
11	00725073	Key, 1/2" x 2-1/2"	2	36	00726708	Bearing	1
12	00726294	Bushing	2	37	00726675	Housing, Bearing Drive	1
13	00726698	Pulley	2	38	00726707	Stop, Rubber Bumper	4
14	00726688	Spacer, Drive End	2	39	31864H5C	Capscrew, Soc. Hd., 1/4" x 3/4" Gr. 5	4
15	02845500	Bolt, 5/8" x 2"	16	40	-----	Lockwasher, 1/4" Gr. 8	4
16	00695100	Nut, Toplock, 5/8"	18	41	-----	Hex Nut, 1/4"	4
17	00725109	Key, 3/8" x 2-1/2"	4	42	-----	Flatwasher, 3/8"	8
18	00724049	Bushing	2	43	00727091	Bearing Mount Weldment	2
19	00723940	Pulley	2	44	00726288	Clevis Yoke, 5/8"	2
20	00726684	Plate, RH Knock-Out End Plate	1	45	-----	Clevis Pin, 1/2" x 1-1/2"	2
21	00726687	Plate, LH Knock-Out End Plate	1	46	-----	Cotter Pin, 1/8" x 1-1/2"	2
22	00002000	Capscrew, 3/8" x 3/4"	10	47	00726293	Adjuster Rod, 5/8"	2
23	00726705	Plate, Shield Knock Out	2	48	-----	Hex Nut, 5/8"	6
24	00725710	Hose	4	49	00726869	Bearing Plate Shim	1
25	-----	Coupling	4				

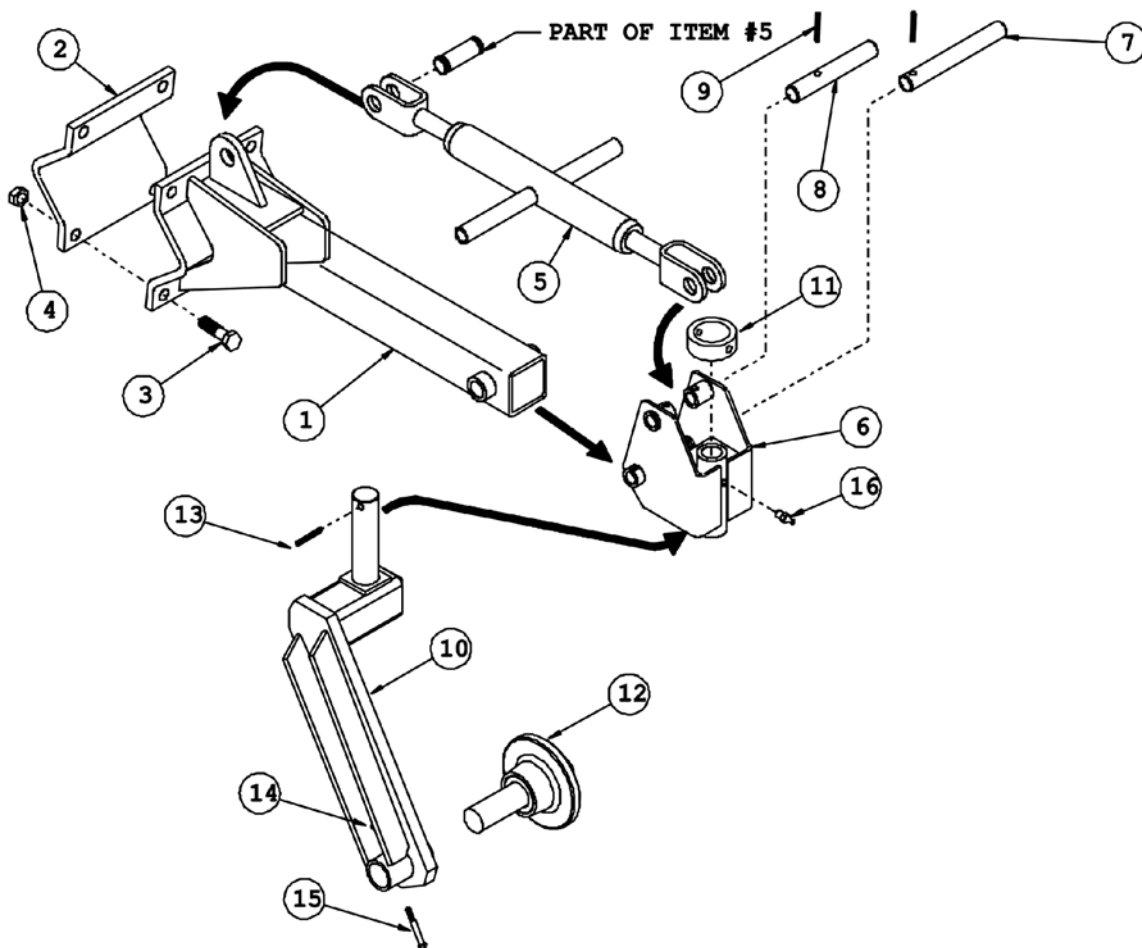


### CASTER ASSEMBLY - 115/118



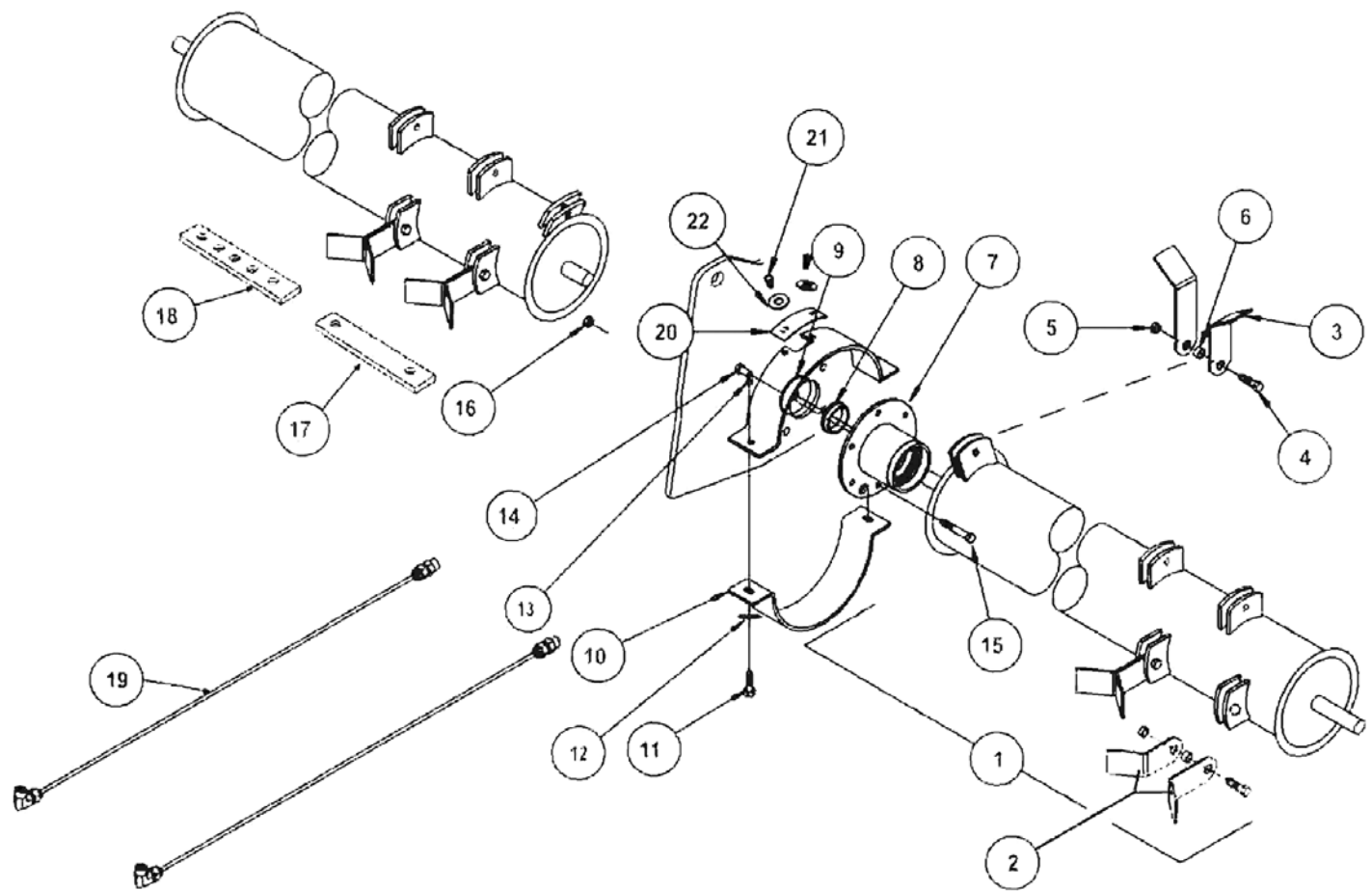
Ref. No.	Part No.	Description	Qty.
1	00726257	Weldment - Axle Arm	1
2	00726255	Plate Clamp	1
3	-----	Bolt, 5/8" x 2-1/2"	4
4	00695100	Nut, Toplock, 5/8"	4
5	0656510001	Manual Lift Screw	1
6	00726487	Weldment - Pivot Bracket	1
7	00726274	Pin (Lower)	1
8	00726277	Pin (Upper)	1
9	00752228	Pin	2
11	00726494	Tube Lock	1
12	00727147	Weldment - Caster Spindle	1
13	421010	Roll Pin	1
14	00001800	Locknut TLM, 1/2" NC PL5	1
15	00764375	Capscrew, 1/2" x 3-1/4"	1
20	00776306	Assy, Hub & Spindle	1
24	45051	Self Tapping Zerk, 1/4"-28	1

### CASTER ASSEMBLY - 120/125



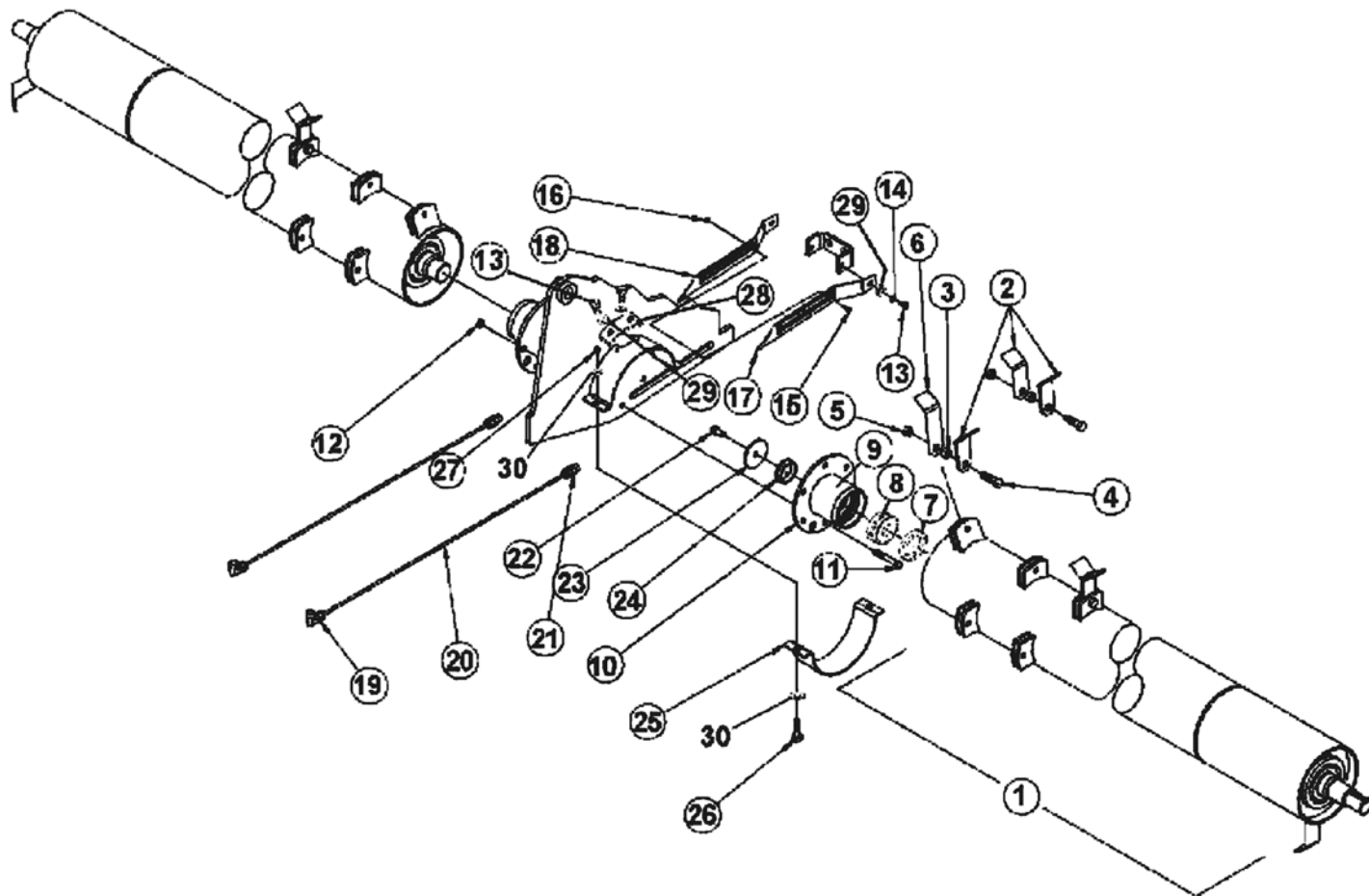
Ref. No.	Part No.	Description	Qty.
1	00726257	Weldment - Axle Arm	1
2	00726255	Plate Clamp	1
3	-----	Bolt, 5/8" x 2-1/2"	4
4	00695100	Nut, Toplock, 5/8"	4
5	0656510001	Manual Lift Screw	1
6	00726487	Weldment - Pivot Bracket	1
7	00726274	Pin (Lower)	1
8	00726277	Pin (Upper)	1
9	00752228	Pin	2
10	00727035	Weldment, 6-Bolt Caster	1
11	00726494	Tube Lock	1
12	1450115A	Assy, Hub & Spindle	1
13	421010	Roll Pin	1
14	-----	Locknut TLM, 3/8" NC PLC	1
15	-----	Hex Bolt, 3/8" x 3"	1
16	45051	Self Tapping Zerk, 1/4"-28	1

### CUTTING REEL ASSEMBLY - 115/118/120



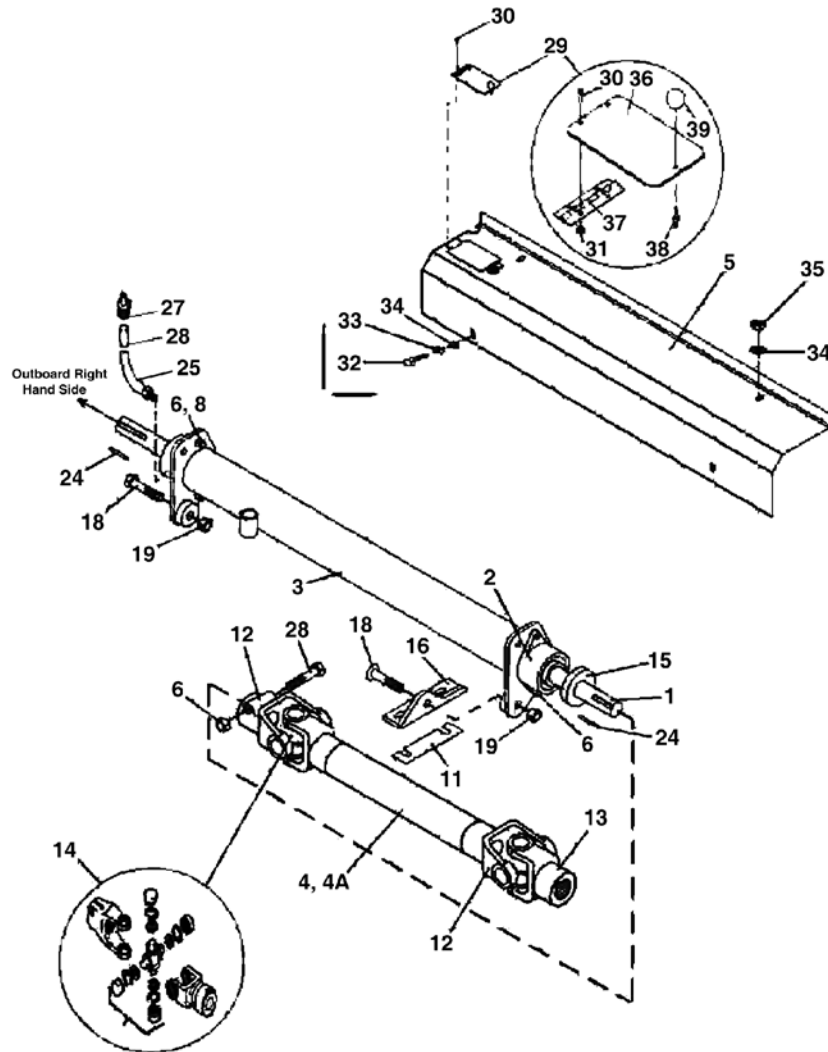
Ref. No.	Part No.	Description	Qty.	Ref. No.	Part No.	Description	Qty.
1	-----	Cuttershaft Assembly - 115	2	9	552214	Washer, Special Flat	4
	-----	Cuttershaft Assembly - 118	2	10	00726208	Shield, Anti-Wrap	2
	-----	Cuttershaft Assembly - 120	2	11	-----	Bolt, 1/2" x 1"	4
2	00724214	Shredder Knife - Short - 115	164	12	00002700	Flatwasher, 1/2"	8
	00724214	Shredder Knife - Short - 118	196	14	00752658	Bolt, 5/8" x 1-1/4"	4
	00724214	Shredder Knife - Short - 120	208	13	00001800	Nut, Toplock, 1/2"	4
3	00724833	Shredder Knife - Long	4	15	-----	Bolt, 5/8" x 2-1/4" Gr. 8	6
4	00720512	Bolt, 5/8" x 2.06" Gr. 5 - 115	84	16	00695100	Nut, Toplock, 5/8"	4
	00720512	Bolt, 5/8" x 2.06" Gr. 5 - 118	100	17	00726744	Front Inner Extension Bar	2
	00720512	Bolt, 5/8" x 2.06" Gr. 5 - 120	108	18	00726505	Front Angle Extension Bar - 115	2
5	-----	Nut, Center Lock, 5/8" - 115	84		00726506	Front Angle Extension Bar - 118	4
	-----	Nut, Center Lock, 5/8" - 118	100		00726499	Front Angle Extension Bar - 120	4
	-----	Nut, Center Lock, 5/8" - 120	108	19	00727077	Grease Fitting Steel Tube, RH	1
6	00724710	Bushing - 115	84		00727078	Grease Fitting Steel Tube, LH	1
	00724710	Bushing - 118	100	20	00002000	Capscrew, 3/8" x 3/4"	4
	00724710	Bushing - 120	108	21	-----	Flatwasher, 3/8"	4
7	00726728	Assy, Center Bearing Mount	2	22	00726799	Plate, Center Shield Cover	2
8	00726689	Spacer, Seal Tube	2				

### CUTTING REEL ASSEMBLY - 125



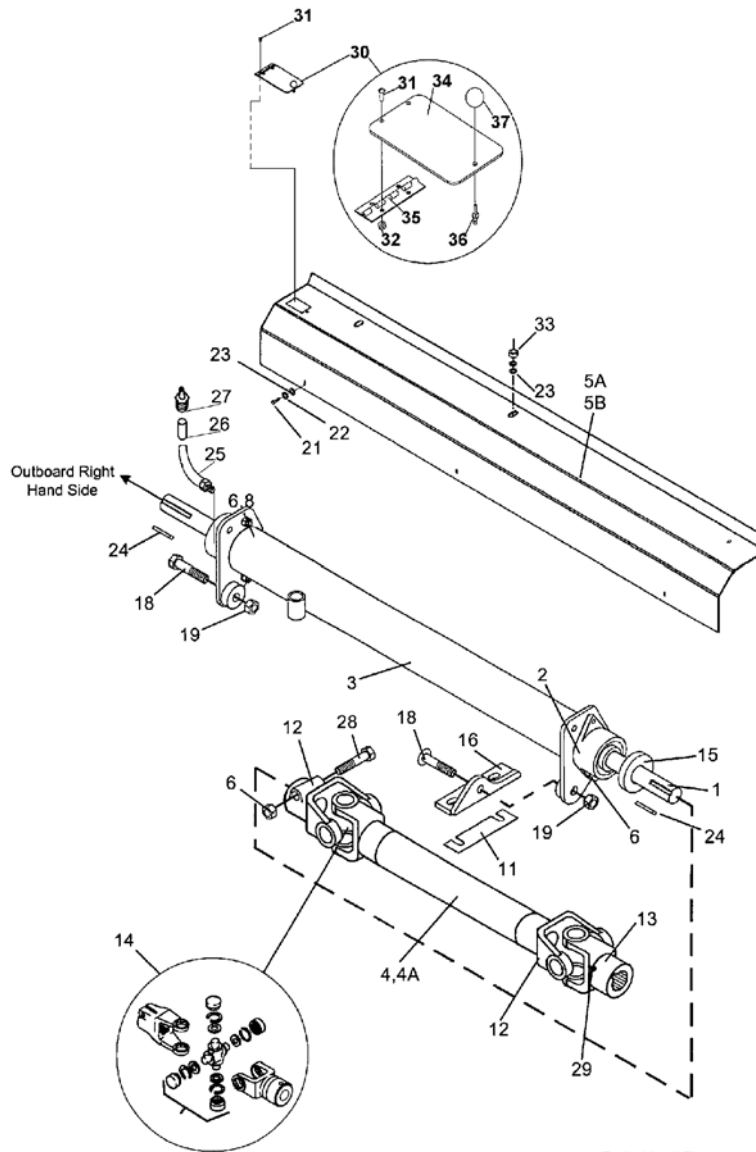
Ref. No.	Part No.	Description	Qty.	Ref. No.	Part No.	Description	Qty.
1	00726620	Cuttershaft Assembly	2	16	-----	Nut, Toplock, 1/4"	3
2	00724214	Shredder Knife - Short	264	17	00726735	Grease Line Shield, LH	1
3	00724710	Bushing	132	18	00726734	Grease Line Shield, RH	1
4	00720512	Bolt, 5/8" x 2.06" Gr. 5	132	19	00726737	Elbow, Hyd. Adapter	2
5	-----	Nut, Center Lock, 5/8" - 115	132	20	00726738	Grease Line	2
6	00724833	Shredder Knife - Long	4	21	00726736	Straight Hyd. Adapter	2
7	00726709	Seal	2	22	00752658	Bolt, 5/8" x 1-1/4"	4
8	00726708	Bearing	2	23	552214	Flatwasher, Special	4
9	00726680	Center Bearing Mount	2	24	00726689	Seal Tube Spacer	2
10	00726728	Center Bearing Mount Assy. (Incl. Items #7, 8 & 9)	2	25	00726208	Shield, Anti-Wrap	2
11	-----	Bolt, 5/8" x 2-1/4"	6	26	-----	Bolt, 1/2" x 1"	4
12	00695100	Nut, Toplock, 5/8"	6	27	00001800	Nut, Toplock, 1/2"	4
13	00002000	Capscrew, 3/8" x 3/4"	6	28	00726799	Plate, Center Shield Cover	2
14	03101646	Lockwasher, 3/8" YZ	2	29	-----	Flatwasher, 3/8"	6
15	-----	Capscrew, 1/4" x 3/4"	3	30	00002700	Flatwasher, 1/2"	8

### DRIVETUBE ASSEMBLY - 115/118/120



Ref. No.	Part No.	Description	Qty.	Ref. No.	Part No.	Description	Qty.
1	00724774	Pulley Shaft - 115	2	18	-----	Capscrew, 3/4" x 2-3/4"	4
	00725634	Pulley Shaft - 118	2	19	00037200	Nut, Toplock, 3/4" Gr. C	4
	00724317	Pulley Shaft - 120	2	21	00726132	Clevis Pin - 115/118	4
2	00724713	Flange Bearing	4	22	-----	Cotter Pin, 1/8" x 1-1/2" - 115/118	4
3	00725678	RH Drive Tube Weldment - 115	1	23	00769933	Plastic Knob - 115/118	6
	00725689	RH Drive Tube Weldment - 118	1	24	00725109	Key, 3/8" x 2-1/2"	4
	00725681	RH Drive Tube Weldment - 120	1	25	00725710	Hose, Grease Fitting	2
	00725680	LH Drive Tube Weldment - 115	1	26	-----	Coupling	2
	00725690	LH Drive Tube Weldment - 118	1	27	00003500	Grease Fitting	2
	00725682	LH Drive Tube Weldment - 120	1	28	-----	Capscrew, 1/2" x 2-3/4"	2
4	00725509A	Driveline	2	29	-----	Assy, Hinged Shield Cover	2
4A	-----	Driveline Tube Weldment	2	30	-----	Screw, Phlp Pan Hd, #10-24 x 3/8"	8
5	00727001	Top Drive Shield, RH - 120	1	31	-----	Locknut, #10-24	8
	00727002	Top Drive Shield, LH - 120	1	32	-----	Capscrew, 3/8" x 1"	4
6	00001800	Nut, Toplock, 1/2"	10	33	03101646	Lockwasher, 3/8"	4
8	-----	Capscrew, 1/2" x 2"	8	34	-----	Flatwasher, 3/8"	8
11	-----	Shim	4	35	-----	Locknut, Center, 3/8"	4
12	-----	Yoke Clamp, 1-1/2" Round	2	36	00726587	Cover, Hinged Shield	2
13	-----	Yoke, 1-3/8" Spline	2	37	00726625	Hinge, 3 Section	2
14	-----	Kit, Cross & Bearing	4	38	-----	Stud, Spherical, M6 x 36MM	2
15	-----	Lock Collar	4	39	-----	Knob, Plastic Nut, M6 x 1 x 12MM	2
16	00725662	Pivot Ear Weldment - RH	1				
	00725663	Pivot Ear Weldment - LH	1				

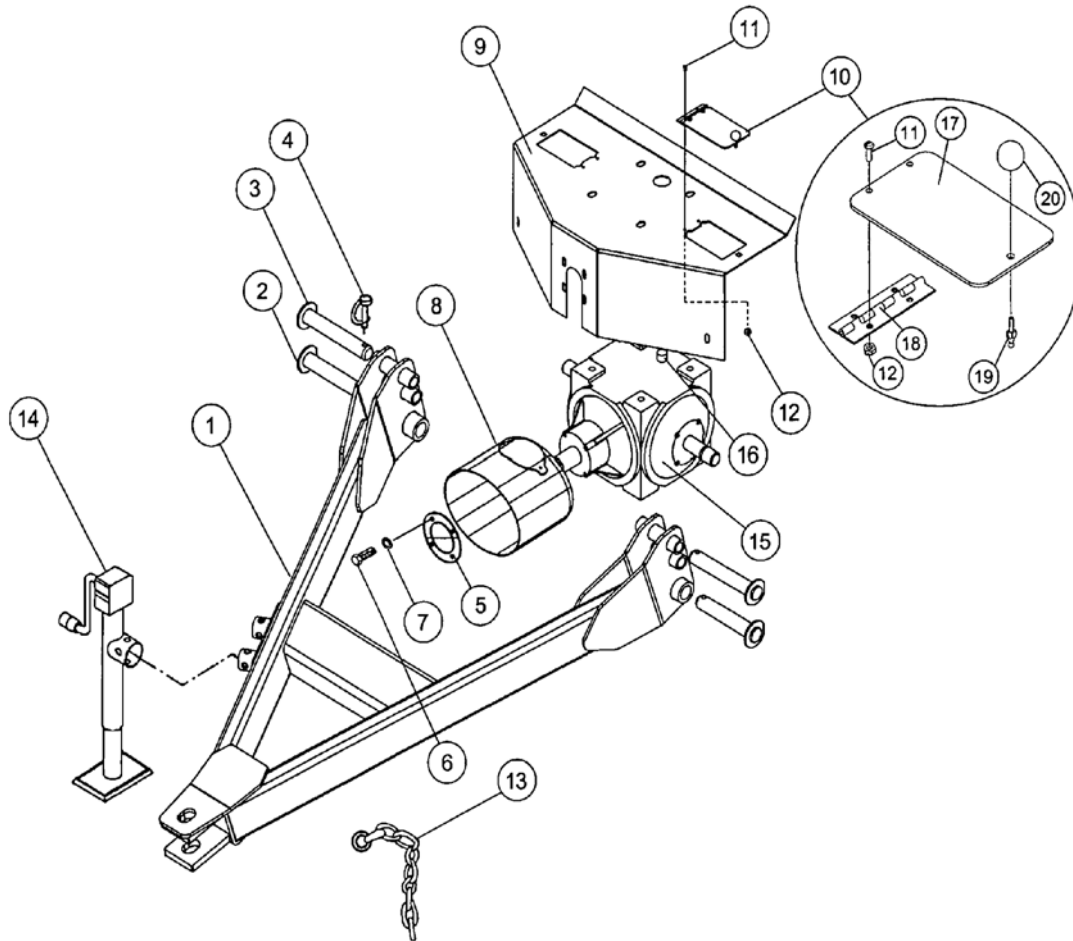
### DRIVETUBE ASSEMBLY - 125



Right Hand Shown

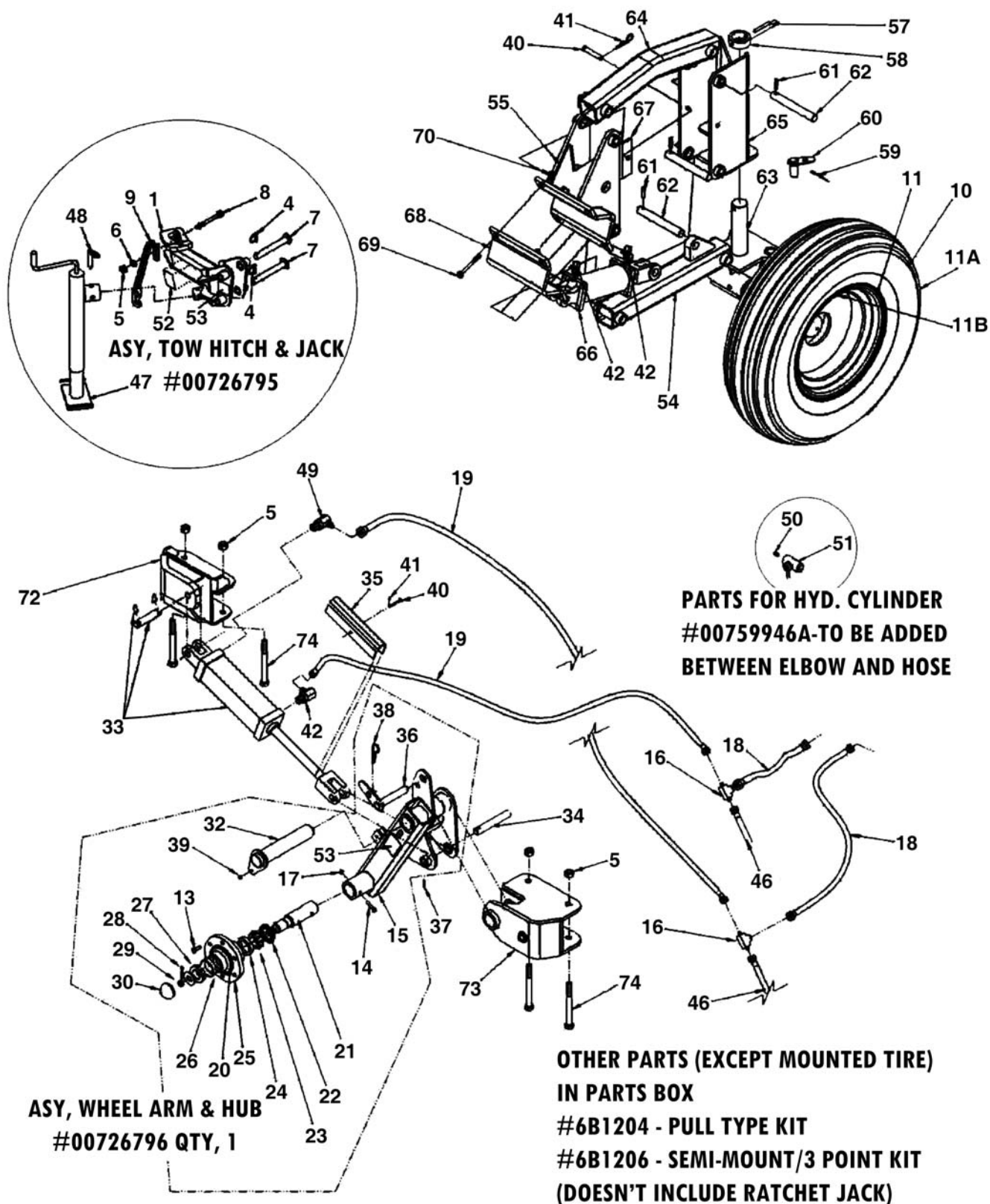
Ref. No.	Part No.	Description	Qty.	Ref. No.	Part No.	Description	Qty.
1	00726697	Pulley Shaft	2	19	00037200	Nut, Toplock, 3/4" Gr. C	4
2	00724713	Flange Bearing	4	21	-----	Bolt, 3/8" x 1"	6
3	00726695	RH Drive Tube Weldment	1	22	03101646	Lockwasher, 3/8"	6
	00726699	LH Drive Tube Weldment	1	23	-----	Flatwasher, 3/8"	8
4	00726493A	Driveline	2	24	00725109	Key, 3/8" x 2-1/2"	4
4A	-----	Driveline Tube Weldment	2	25	00725710	Hose, Grease Fitting	2
5A	00726601	Top Drive Shield, RH	1	26	-----	Coupling	2
5B	00726602	Top Drive Shield, LH	1	27	4720	Grease Fitting	2
6	00001800	Nut, Toplock, 1/2"	10	28	-----	Capscrew, 1/2" x 2-3/4"	2
8	-----	Capscrew, 1/2" x 2"	8	29	45051	Grease Fitting	2
11	-----	Shim	2	30	-----	Hinge Shield Cover Assy	4
12	-----	Yoke Clamp, 1-1/2" Round	2	31	-----	Screw, Phlp Pan Hd, #10-24 x 3/8"	8
13	-----	Yoke, 1-3/8" Spline	2	32	-----	Locknut, #10-24	8
14	-----	Kit, Cross & Bearing	4	33	-----	Locknut, Center, 3/8"	6
15	-----	Lock Collar	4	34	00726587	Cover, Hinged Shield	2
16	00725662	Pivot Ear Weldment - RH (Shown)	1	35	00726625	Hinge, 3 Section	2
	00725663	Pivot Ear Weldment - LH	1	36	-----	Stud, Spherical, M6 x 36MM	2
18	-----	Capscrew, 3/4" x 2-3/4"	4	37	-----	Knob, Plastic Nut, M6 x 1 x 12MM	2

### TONGUE ASSEMBLY



Ref No.	Part No.	Description	Qty.
1	00726383	Tongue Hitch	1
2	00725548	Lower Hitch Pin	2
3	00725698	Upper Hitch Pin	2
4	00725708	Snapper Pin	4
5	-----	Reinforcement Cone Plate	1
6	-----	Capscrew, 5/16" x 3-1/2" NF	4
7	00011700	Lockwasher, 5/16" YZ	4
8	-----	Clutch Safety Shield	1
9	00726599	Gearbox Shield	1
10	-----	Hinge Shield Cover Assy	2
11	-----	Screw, Phlp Pan Hd., #10-24 x 3/8"	8
12	-----	Locknut, #10-24	8
13	00757908	Safety Tow Chain	1
14	00726730	Side Wind Jack	1
15	-----	Gearbox Assembly	1
16	00726652	Breather/Dipstick	1
17	00726587	Cover	2
18	00726625	Hinge	2
19	-----	Stud	2
20	-----	Knob	2

## END TOW KIT ASSEMBLY - PULL TYPE BRC120 & BRC125

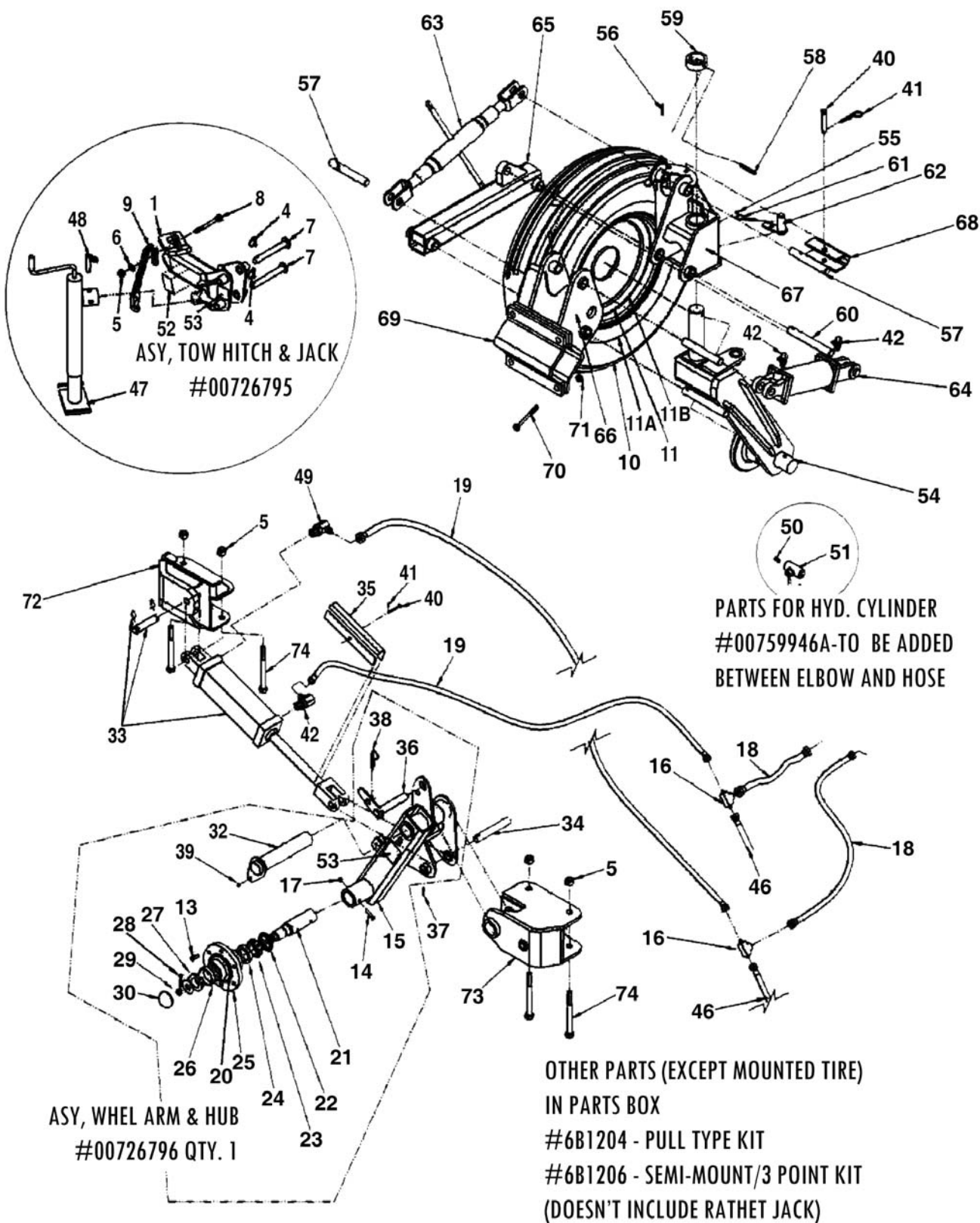




## END TOW KIT ASSEMBLY - PULL TYPE BRC120 & BRC125

Ref. No.	Part No.	Description	Qty.	Ref. No.	Part No.	Description	Qty.
1	00727097	Weldment, Tow Hitch	1	36	00726776	Weldment, Axle Lock Pin	1
2	00554600P	Ratchet Jack (Not Shown)	2	37	00752228	Pin, Spiral, 3/8" x 1-1/2"	1
3	00726539	Plate, Tongue Lift	2	38	49208	Hairpin Cotter, .178" x 3-9/16"	1
4	00725708	Snapper Pin	4	39	-----	Bolt, 3/8" x 1"	1
5	-----	Locknut, 3/4"	2	40	41949	Pin, Clevis, 7/16" x 2-1/4"	2
6	-----	Flatwasher, 3/4"	2	41	49207	Hairpin Cotter, .120 x 2-1/2"	2
7	00725698	Weldment, Pin Tow Hitch	4	42	-----	Adapter, Hyd. Elbow	3
8	-----	Bolt, 3/4" x 6"	1	43	-----	Capscrew, 1/2" x 3/4" Gr. 5 (Not Shown)	2
9	00757908	Chain, Safety Tow	1	44	-----	Lockwasher, 1/2" Gr. 8 (Not Shown)	2
10	-----	Assy, Mounted Stubble Guard Tire	2	45	00726533	Pin, Tongue Lift (Not Shown)	1
11	-----	Wheel, 6 x 15 - 6 Bolt	1	46	00726791	Hose, #6 - 8MP - 6FJX -192 LG	2
11A	00726784	Tire, Stubble Guard, 9.5L x 15	1	47	2468613	Jack, AG 7000# Cap., Side Wind	1
11B	-----	Valve Stem	1	48	-----	Pin, Jack Retaining	1
13	00763429	Bolt, Wheel, 1/2" x 1" UNF	12	49	1937156	Spec. 90° Elbow w/Restrictor	1
14	-----	Capscrew, 3/8" x 3-1/2"	2	50	10011EH	Pipe Nipple, 3/8" Close	1
15	00726538	Weldment, Wheel Arm	1	51	1437351	Ball Valve, 3/8" NPTF	1
16	00726792	Adapter, Hyd. Tee, 6MJ - 6MJ - 6MJ	2	52	-----	Decal, Warning, Towing Speed	1
17	-----	Nut, Toplock, 3/8"	2	53	02962764	Decal - Pinch Points	2
18	001580	Hose	2	54	00726878	Weldment, End Tow Arm	1
19	00726790	Hose, #6 - 6FJX - 6FJX - 83 LG	2	55	00726897	Weldment, End Tow Mount	1
20	00724462	Flatwasher, Spindle	2	57	421010	Roll Pin, 3/8" x 2-3/4"	1
21	1462529	Spindle, 2" Dia x 9.66 w/Hole	2	58	00726494	Tube, Lock Caster Wheel	1
22	2116801	Seal, 1.875" ID x 3.005" OD x .25"	2	59	37107B13	Hairpin, Cotter, .148" x 2-15/16"	1
23	0536005	Bearing Cone, 1.625" ID	2	60	00726875	Weldment, Index Pin	1
24	-----	Bearing Cup	1	61	00752228	Pin, Spiral, 3/8" x 1-1/2"	4
25	-----	Assy, Hub & Cup Sub, 6-Bolt	2	62	00726274	Pin, Caster	4
26	-----	Bearing Cup, 2.328" OD	1	63	00726901	Weldment, Spindle Mount	1
27	-----	Bearing Cone, 1.250" ID	2	64	00726906	Weldment, Upper End Tow Arm	1
28	00755153	Pin, Cotter, 3/16" x 1-1/2"	2	65	00726908	Weldment, End Tow Rear Mount	1
29	-----	Hex Slotted Nut, 7/8"	2	66	00759715A	Cylinder, Hydraulic, 3" x 5-1/2"	1
30	00756492	Dust Cap	2	67	00726895	Stop, Cylinder	1
31	1450115A	Assy, Hub & Spindle	2	68	00726882	Plate, Mount Wide	1
32	00726782	Weldment, Axle Pivot Pin	1	69	-----	Capscrew, 3/4" x 2-1/2"	4
33	2457103	Cylinder, Hydraulic, 3" x 10"	1	70	00037200	Nut, Toplock, 3/4"	4
33A	3047104	Pin, 1"	1	72	00726988	Weldment, Front Strut Pivot	1
33B	-----	Hairpin Clip, 7/8"	2	73	00726994	Weldment, Front Cylinder Mount	1
34	00726752	Pin, Front Cylinder Mount	1	74	-----	Capscrew, 3/4" x 7/8"	4
35	00726778	Stop, Cylinder	1				

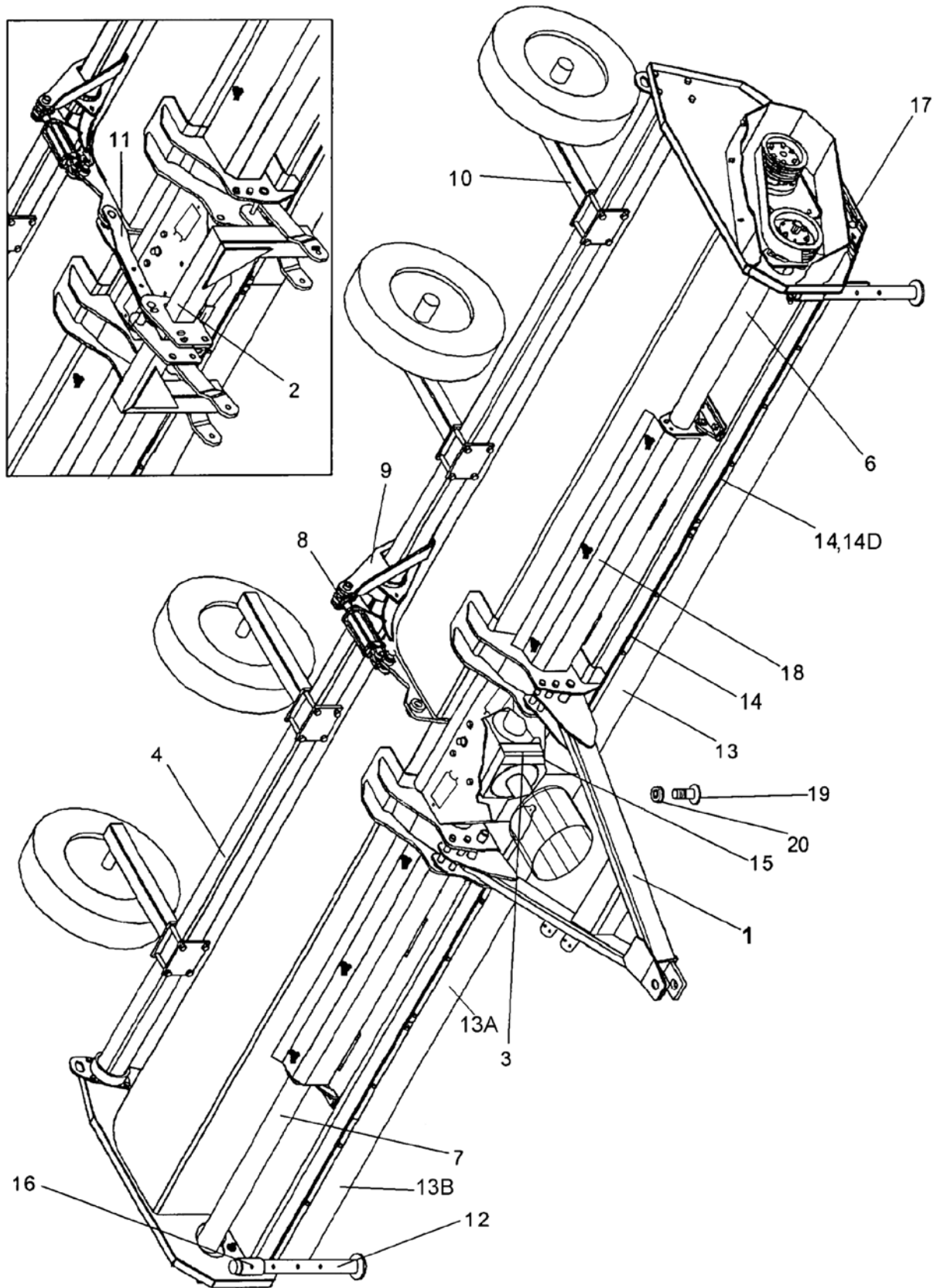
## END TOW KIT ASSEMBLY - SEMI-MOUNT BRC120 & BRC125



## END TOW KIT ASSEMBLY - SEMI-MOUNT BRC120 & BRC125

Ref. No.	Part No.	Description	Qty.	Ref. No.	Part No.	Description	Qty.
1	00727097	Weldment, Tow Hitch	1	36	00726776	Weldment, Axle Lock Pin	1
4	00725708	Snapper Pin	2	37	00752228	Pin, Spiral, 3/8" x 1-1/2"	1
5	-----	Locknut, 3/4"	1	38	49208	Hairpin Cotter, .178" x 3-9/16"	1
6	-----	Flatwasher, 3/4"	1	39	-----	Bolt, 3/8" x 1"	1
7	00725698	Weldment, Pin Tow Hitch	2	40	41949	Pin, Clevis, 7/16" x 2-1/4"	2
8	-----	Bolt, 3/4" x 6"	1	41	49207	Hairpin Cotter, .120 x 2-1/2"	2
9	00757908	Chain, Safety Tow	1	42	-----	Adapter, Hyd. Elbow	3
10	-----	Assy, Mounted Stubble Guard Tire	2	46	00726791	Hose, #6 - 8MP - 6FJX -192 LG	2
11	-----	Wheel, 6 x 15 - 6 Bolt	1	47	2468613	Jack, AG 7000# Cap., Side Wind	1
11A	00726784	Tire, Stubble Guard, 9.5L x 15	1	48	-----	Pin, Jack Retaining	1
11B	-----	Valve Stem	1	49	1937156	Spec. 90° Elbow w/Restrictor	1
13	00763429	Bolt, Wheel, 1/2" x 1" UNF	12	50	10011EH	Pipe Nipple, 3/8" Close	1
14	-----	Capscrew, 3/8" x 3-1/2"	2	51	1437351	Ball Valve, 3/8" NPTF	1
15	00726538	Weldment, Wheel Arm	1	52	-----	Decal, Warning, Towing Speed	1
16	00726792	Adapter, Hyd. Tee, 6MJ - 6MJ - 6MJ	2	53	02962764	Decal - Pinch Points	2
17	-----	Nut, Toplock, 3/8"	1	54	-----	Weldment, Caster Wheel	1
18	001580	Hose	2	55	4720	Grease Fitting, 1/8" Self Tap	1
19	00726790	Hose, #6 - 6FJX - 6FJX - 83 LG	2	56	00752228	Pin, Spiral, 3/8" x 1-1/2"	5
20	00724462	Flatwasher, Spindle	2	57	00726277	Pin, Caster Assembly	3
21	1462529	Spindle, 2" Dia x 9.66 w/Hole	2	58	421010	Roll Pin, 3/8" x 2-3/4"	1
22	2116801	Seal, 1.875" ID x 3.005" OD x .25"	2	59	00726494	Tube, Lock Caster Wheel	1
23	0536005	Bearing Cone, 1.625" ID	2	60	00726274	Pin, Caster Assy. Lower	2
24	-----	Bearing Cup	1	61	37107B13	Hairpin, Cotter, .148" x 2-15/16"	1
25	-----	Assy, Hub & Cup Sub, 6-Bolt	2	62	00726875	Weldment, Index Pin	1
26	-----	Bearing Cup, 2.328" OD	1	63	0656510001	Manual Lift Screw	1
27	-----	Bearing Cone, 1.250" ID	2	64	00759715A	Cylinder, Hydraulic, 3" x 5-1/2"	1
28	00755153	Pin, Cotter, 3/16" x 1-1/2"	2	65	00726878	Weldment, End Tow Arm	1
29	-----	Hex Slotted Nut, 7/8"	2	66	00726881	Weldment, Caster End Tow Mount	1
30	00756492	Dust Cap	2	67	00726886	Weldment, Rear Caster Mount	1
31	1450115A	Assy, Hub & Spindle	2	68	00726895	Stop, Cylinder	1
32	00726782	Weldment, Axle Pivot Pin	1	69	00726882	Plate, Mount Wide	1
33	2457103	Cylinder, Hydraulic, 3" x 10"	1	70	-----	Capscrew, 3/4" x 2-1/2"	4
33A	3047104	Pin, 1"	1	71	00037200	Nut, Toplock, 3/4"	4
33B	-----	Hairpin Clip, 7/8"	2	72	00726988	Weldment, Front Strut Pivot	1
34	00726752	Pin, Front Cylinder Mount	1	73	00726994	Weldment, Front Cylinder Mount	1
35	00726778	Stop, Cylinder	1	74	-----	Capscrew, 3/4" x 7/8"	4

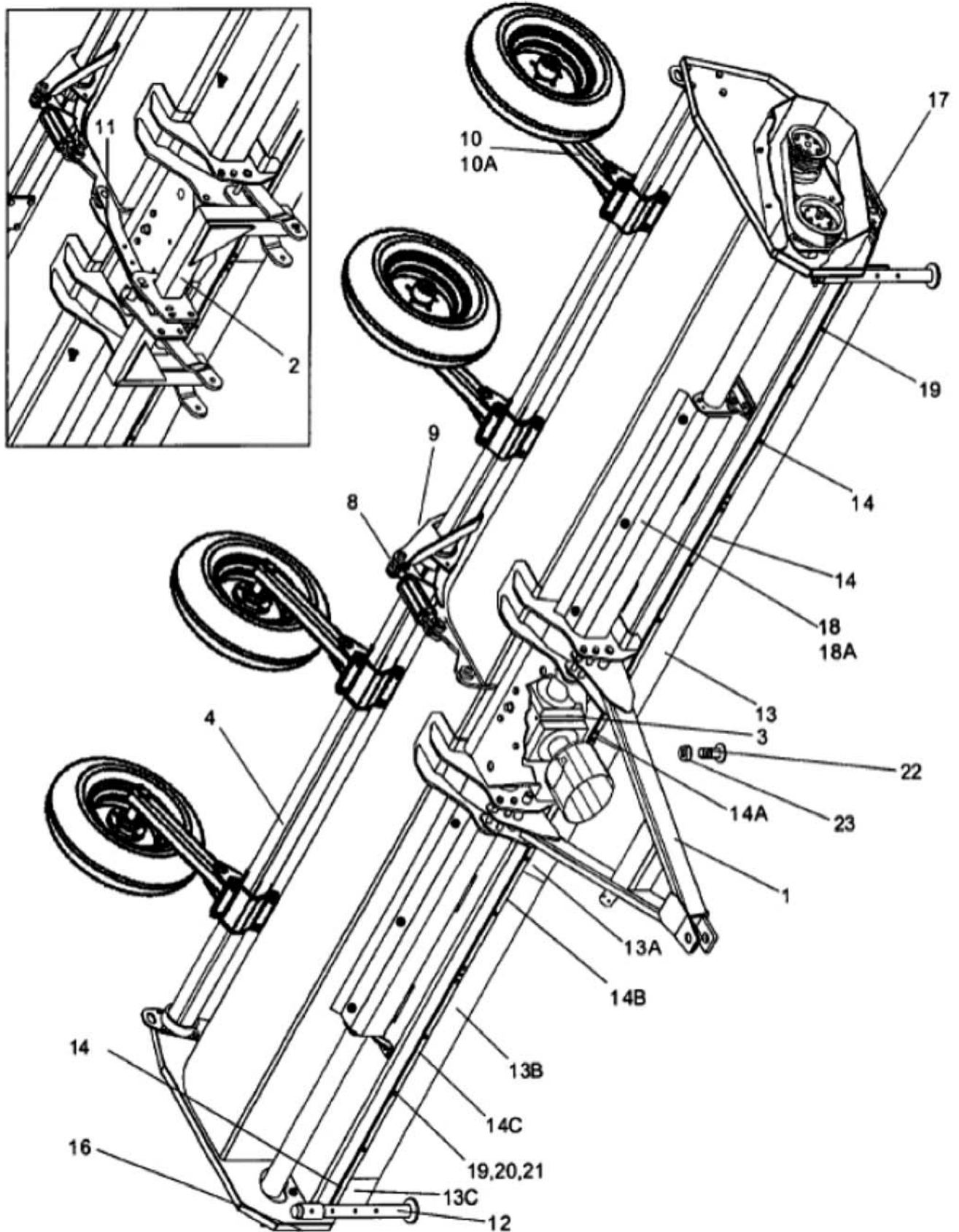
### GENERAL ASSEMBLY - 115/118



**GENERAL ASSEMBLY - 115/118**

Ref. No.	Part No.	Description	Qty.
1	-----	Tongue Assembly	1
	-----	Tongue Assembly - CV Option Only	1
2	-----	Hitch Assembly	1
3	00726429	Gear Box	1
4	00726241	Wheel Bar Assembly - 115	1
	00726242	Wheel Bar Assembly - 118	1
6	-----	Drive Tube Assembly, LH - 115	1
	-----	Drive Tube Assembly, LH - 118	1
7	-----	Drive Tube Assembly, RH - 115	1
	-----	Drive Tube Assembly, RH - 118	1
8	00759946A	Hydraulic Cylinder	1
9	00726329	Weldment, Cylinder Pin	1
10	-----	Assy - Axle Arm w/Clamp Plates	1
11	-----	Assy - Link Bar Top (3 Pt. Mount Only)	1
12	00725595	Assy- Jack Stand (3 Pt. Mount Only)	2
13	00725675	Rubber Flap - 115	2
	00725677	Rubber Flap - 118	2
13A	00727012	Guard, Front Flap Center - 5 Hole	1
13B	00727017	Guard, Front Flap RH - 4 Hole	1
14	00725667	Outer Retaining Strap - 115	2
	00725667	Outer Retaining Strap - 118	2
14D	00727015	Retaining Strap, LH Outer, 5 Hole - 115/118	1
15	00725664	Inner Retaining Strap - 115	2
	00725665	Inner Retaining Strap - 118	2
16	00725712	Pin	2
17	00725604	End Plate Extension Weldment	2
18	00727001	Top Drive Shield - RH	1
	00727002	Top Drive Shield - LH	1
19	-----	Capscrew, 5/8" x 1-3/4"	4
20	-----	Lockwasher, 5/8" Heavy	4

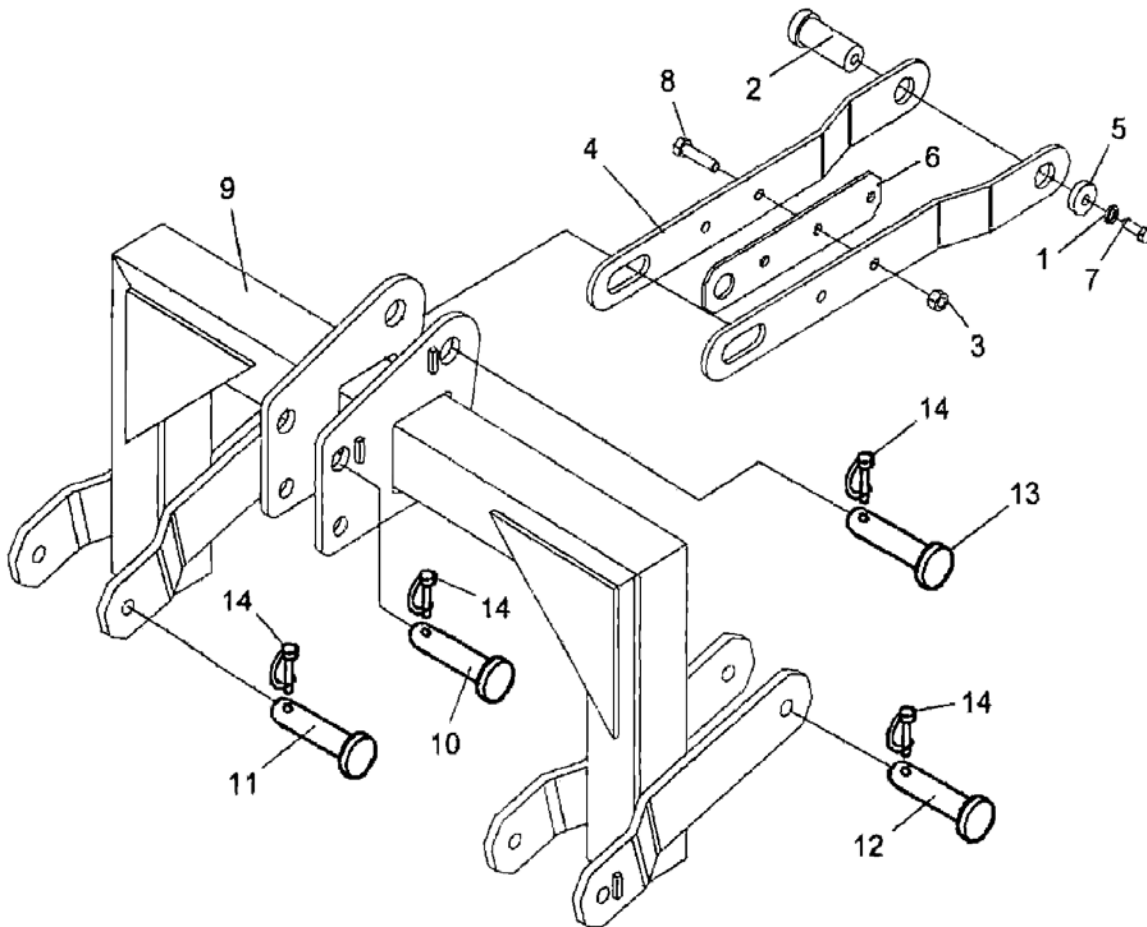
### GENERAL ASSEMBLY - 120/125



**GENERAL ASSEMBLY - 120/125**

Ref. No.	Part No.	Description	Qty.
1	-----	Tongue Assembly - CV Option Only	1
2	-----	Hitch Assembly	1
3	00726429	Gearbox	1
4	00726243	Wheel Bar Assembly, 120	1
	00726579	Wheel Bar Assembly, 125	1
8	00759946A	Hydraulic Cylinder	1
9	00726329	Wldmt - Cylinder Pin	1
	-----	Drive Tube Assembly, LH - 120	1
	-----	Drive Tube Assembly RH - 120	1
10	-----	Assy., Axle Arm with Clamp Plates	1
11	-----	Assy., Link Bar Top (3 Point Mount Only)	1
12	-----	Assy., Jack Stand (3 Point Mount Only)	2
13	00727023	Guard, LH Front Flap, 120	1
	00726583	Guard, LH Front Flap, 125	1
13A	00727012	Guard Front Flap Center - 5 Holes, 120	1
	00726787	Guard Front Flap Center - 5 Holes, 125	1
13B	00726788	Guard, Front Flap Center - 6 Hole, 125	1
13C	00727017	Guard, RH Front Flap - 4 Hole, 120	1
	00726593	Guard, Rh Front Flap, 125	1
14	00727015	Retaining Strap - 5 Hole, 120	1
	00726581	Retaining Strap - 6 Hole, 125	3
	00725667	Retaining Strap - 5 Hole, 120	1
14A	00726582	Retaining Strap - 4 Hole, 125	1
14B	00727013	Retaining Strap - 3 Hole, 120	1
	00726785	Retaining Strap - 2 Hole, 125	1
14C	00727011	Retaining Strap - 5 Hole, 120	1
	00726615	Retaining Strap - 6 Hole, 125	1
14	00727014	Retaining Strap - 4 Hole, 120	1
16	00725712	Pin, Pull 1/2 x 3 w/Hairclip	2
17	00725604	End Plate Extension Weldment	2
18	00727001	Top Drive Shield, RH	1
18A	00727002	Top Drive Shield, LH	1
19	-----	Bolt	4
20	00726582	Lockwasher	4
21	6D9017	Flange Locknut 3/8 NC	1

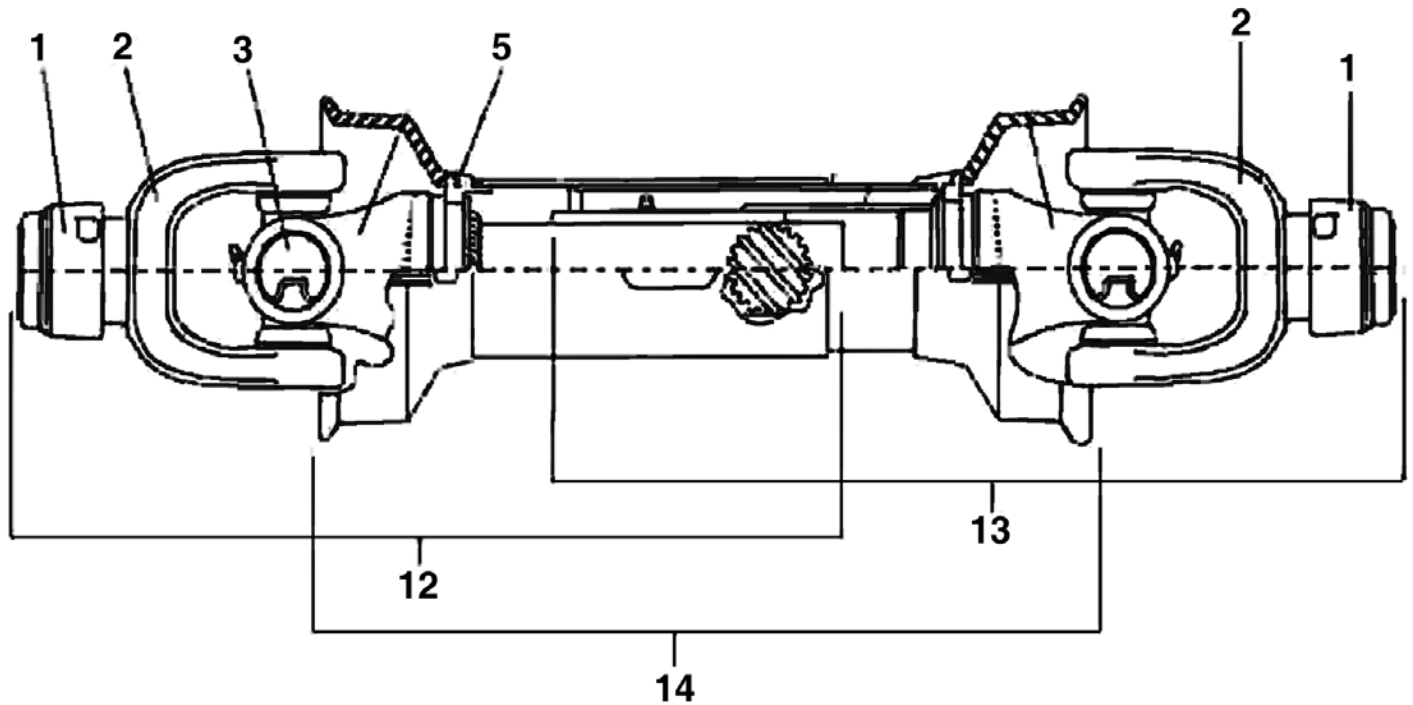
# HITCH ASSEMBLY



Ref. No.	Part No.	Description	Qty.
1	-----	Lockwasher, 1/2" Gr. 8	1
2	00725298	Top Pin Mower Mount	1
3	00695100	Nut, Toplock, 5/8"	2
4	00723550	Link Bar Top	2
5	00723818	End Washer Mount Pin	1
6	00725613	Plate Lock Top Link	1
7	-----	Capscrew, 1/2" x 1-1/2" Gr. 5	1
8	-----	Bolt, 5/8" x 2-1/2"	2
9	00720496	Hitch Assembly Weldment	1
10	00723815	Top Link Pin	1
11	00725547	Lower Pin	2
12	00725548	Lower Hitch Pin	2
13	00725704	Hitch Mount Pin	1
14	00725708	Snapper Pin	6

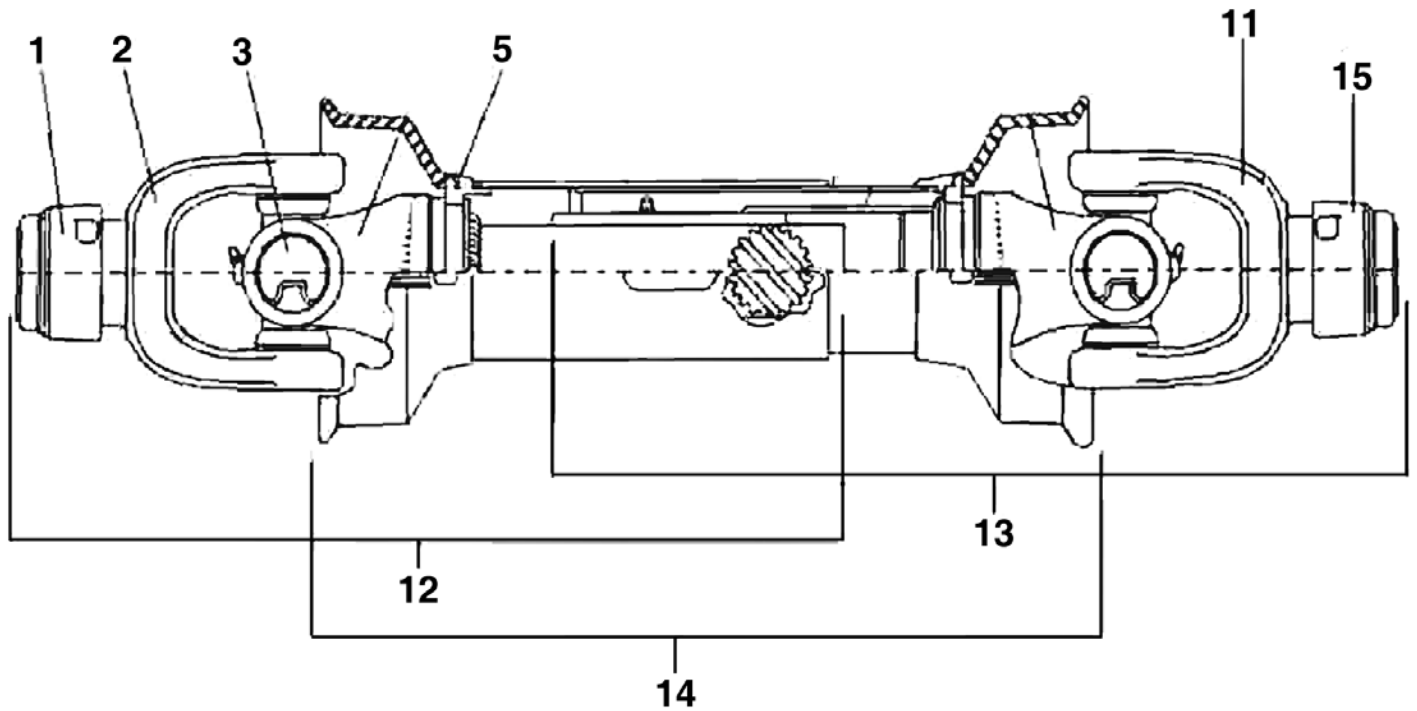


### DRIVELINE (NON CV) 1-3/4 YOKE 00726672ASP



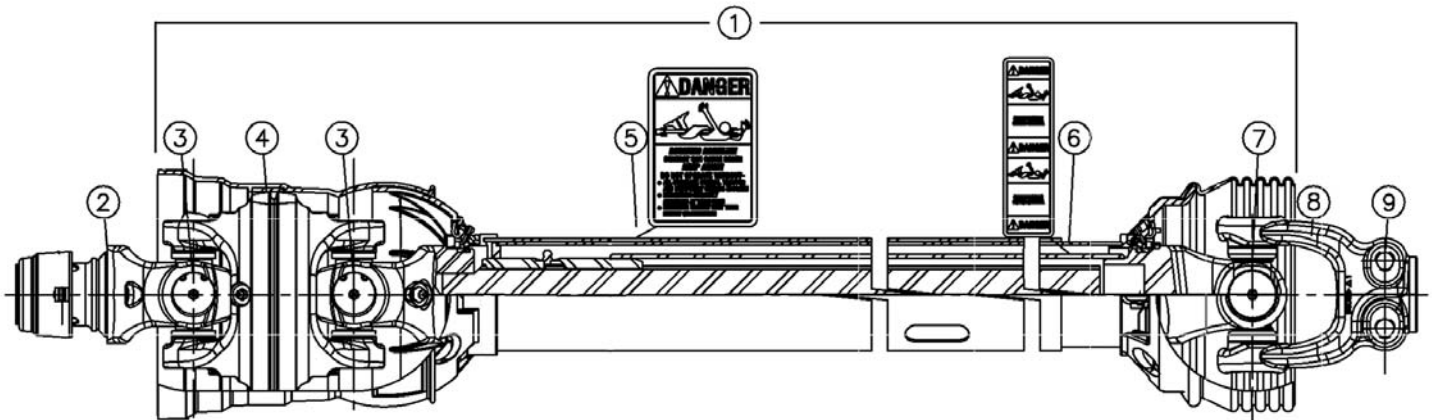
Ref No.	Part No.	Description	Qty.
1	00724738	Kit-Slide Collar Repair	2
2	00725126	Yoke Slide Lock, 1-3/4-20 Spline	2
3	00779050	Cross & Bearing Kit	2
5	00780376	Nylon Repair Kit	2
12	-----	PTO Shaft, Inner Assy, Inner Half Driveline	1
13	-----	PTO Shaft, Outer Assy, Outer Half Driveline	1
14	00726940	Shield Complete	1
15	00756005	Decal, Rotating Driveline (Not Shown)	1
16	00756004	Decal, Danger - Guard Missing (Not Shown)	1

### DRIVELINE (NON CV) 1-3/8 YOKE 00726673ASP



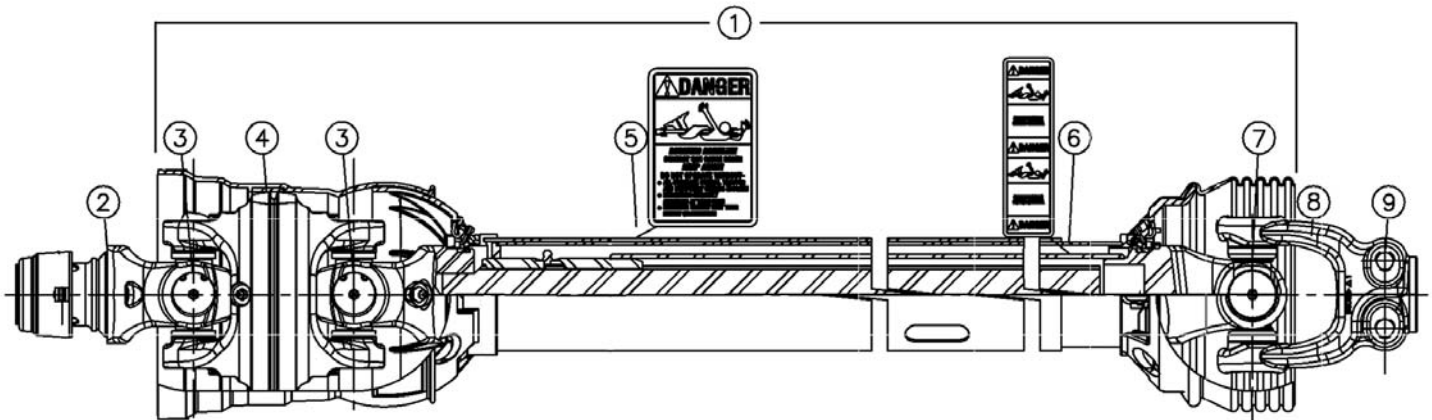
Ref No.	Part No.	Description	Qty.
1	2716820	Repair Kit-Safety Slide Lock Y	1
2	00779060	Yoke, 1-3/8-21 Spline - Tractor End	1
3	00779050	Cross & Bearing Kit	2
5	00780376	Nylon Repair Kit	2
11	00725126	Slide Lock Yoke, 1-3/4-20 Spline Implement End	1
12	-----	Assy, Inner Half Driveline	1
13	-----	Assy, Outer Half Driveline	1
14	00726940	Shield Complete	1
15	00724738	Kit-Slide Collar Repair	1
16	00756005	Decal, Rotating Driveline (Not Shown)	1
17	00756004	Decal, Danger - Guard Missing (Not Shown)	1

## DRIVELINE, CV 1-3/8 - 21 SPLINE 00786844SP



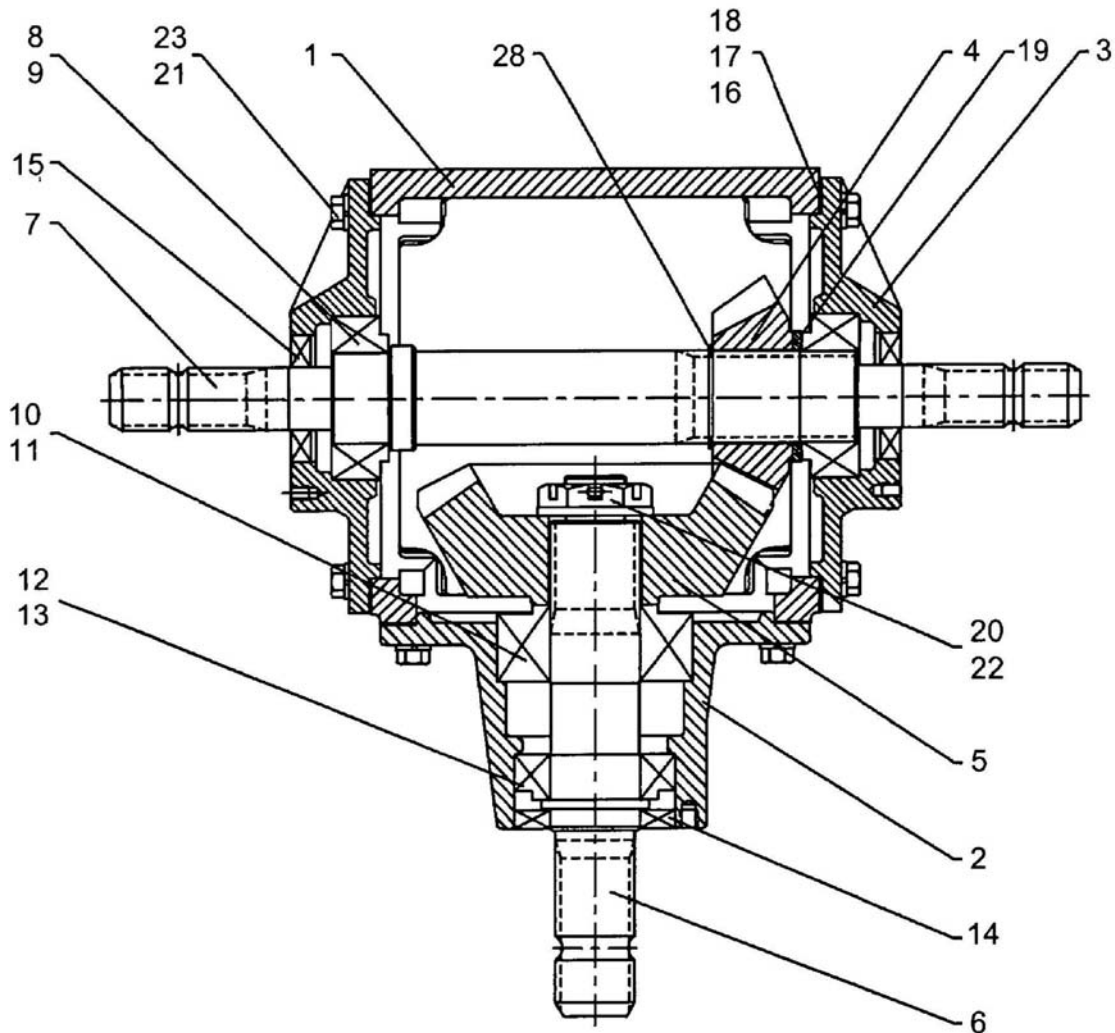
Ref No.	Part No.	Description	Qty.
1	00779525	Assy, Guard Set	1
2	00786847	Assy, CV Yoke, 1-3/8 - 21 Spline	1
3	00786849	Kit, Cross & Bearing	2
4	00786850	Housing, CV Center	1
5	00756005	Decal, Rotating Driveline	1
6	00756004	Decal, Danger - Guard Missing	1
7	00779050	Kit, Cross & Bearing	1
8	00779052	Yoke, 1-3/4 - 20 Spline	1
9	00779053	Bolt, 5/8" x 2-1/2" Flange Serrated	2

## DRIVELINE, CV 1-3/4 - 20 SPLINE 00786845SP



Ref No.	Part No.	Description	Qty.
1	00779525	Assy, Guard Set	1
2	00786848	Assy, CV Yoke, 1-3/4 - 20 Spline	1
3	00786849	Kit, Cross & Bearing	2
4	00786850	Housing, CV Center	1
5	00756005	Decal, Rotating Driveline	1
6	00756004	Decal, Danger - Guard Missing	1
7	00779050	Kit, Cross & Bearing	1
8	00779052	Yoke, 1-3/4 - 20 Spline	1
9	00779053	Bolt, 5/8" x 2-1/2" Flange Serrated	2

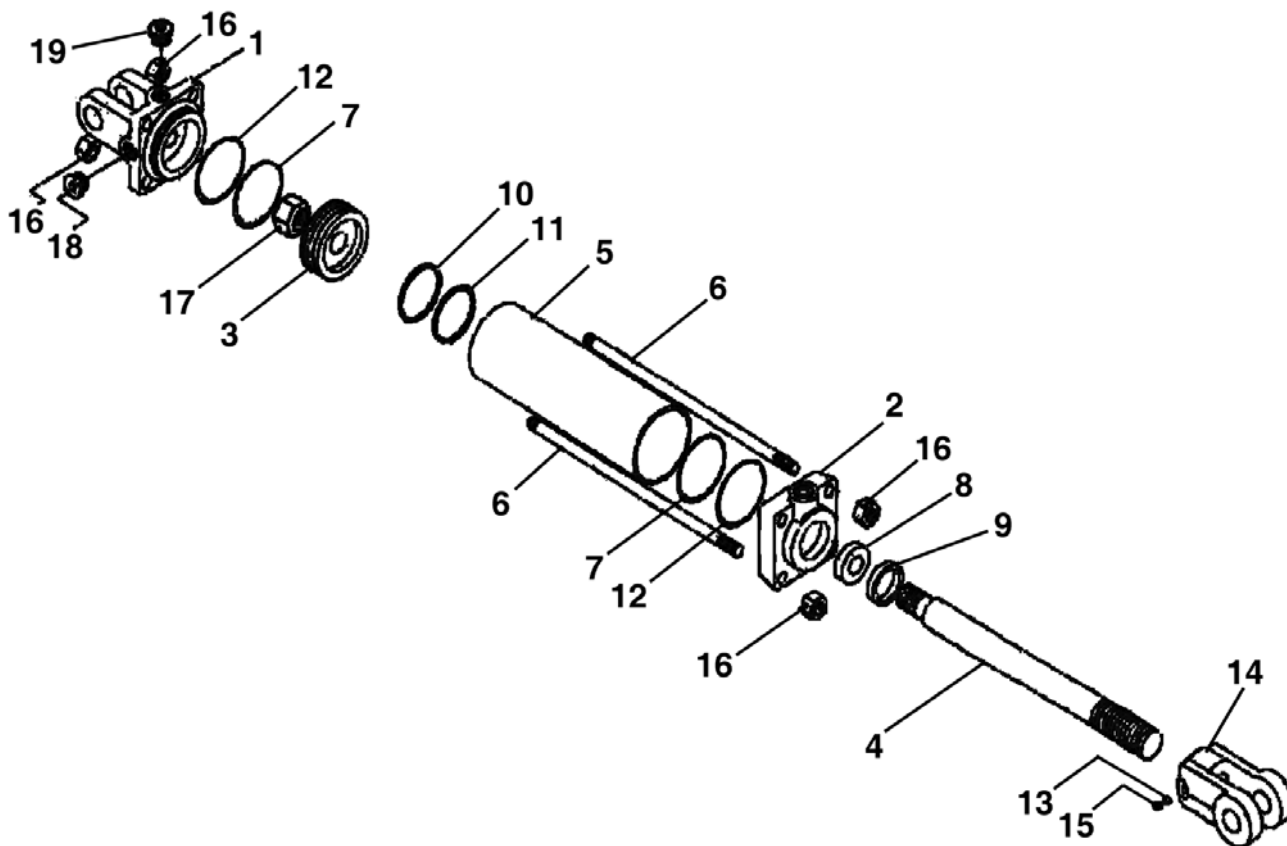
### GEARBOX ASSEMBLY



Ref. No.	Part No.	Description	Qty.	Ref. No.	Part No.	Description	Qty.
	<b>00726429</b>	<b>Gearbox Assembly</b>	<b>1</b>	15	00726646	Seal, Cross	2
1	-----	Housing	1	16	00726647	Gasket, .08MM	1
2	00726630	Cap, Input	1	17	00726648	Gasket, .13MM	1
3	00726631	Cap, Output	2	18	00726649	Gasket, .25MM	1
4	00726632	Pinion Gear	1	19	00726650	Spacer	1
5	00726633	Gear	1	20	70499	Cotter Pin, M5 x 63	1
6	00726634	Shaft, Input	1	21	-----	Capscrew, 7/16" x 1-1/4"	24
7	00726635	Shaft, Cross	1	22	00726651	Nut, Hex Slotted, 1-3/8" UNEF	1
8	00726636	Bearing Cup	2	23	00022200	Lockwasher, 7/16" YZ	24
9	00726637	Bearing Cone	2	24	00753630	Plug Pipe, Head 12" (Not Shown)	1
10	00726638	Bearing Cup	1	25	-----	Plug Pipe, Head 18" (Not Shown)	1
11	00726639	Bearing Cone	1	26	00726652	Plug Relief w/Dipstick (Not Shown)	1
12	00726640	Bearing Cup	1	27	-----	I.D. Tag (Not Shown)	1
13	00726641	Bearing Cone	1	28	-----	Retaina Ring (Not Shown)	1
14	00726645	Seal, Input	1	29	00001800	Locknut, TLM NC PLC	4
				30	-----	Lockwasher 5/8" Heavy	4

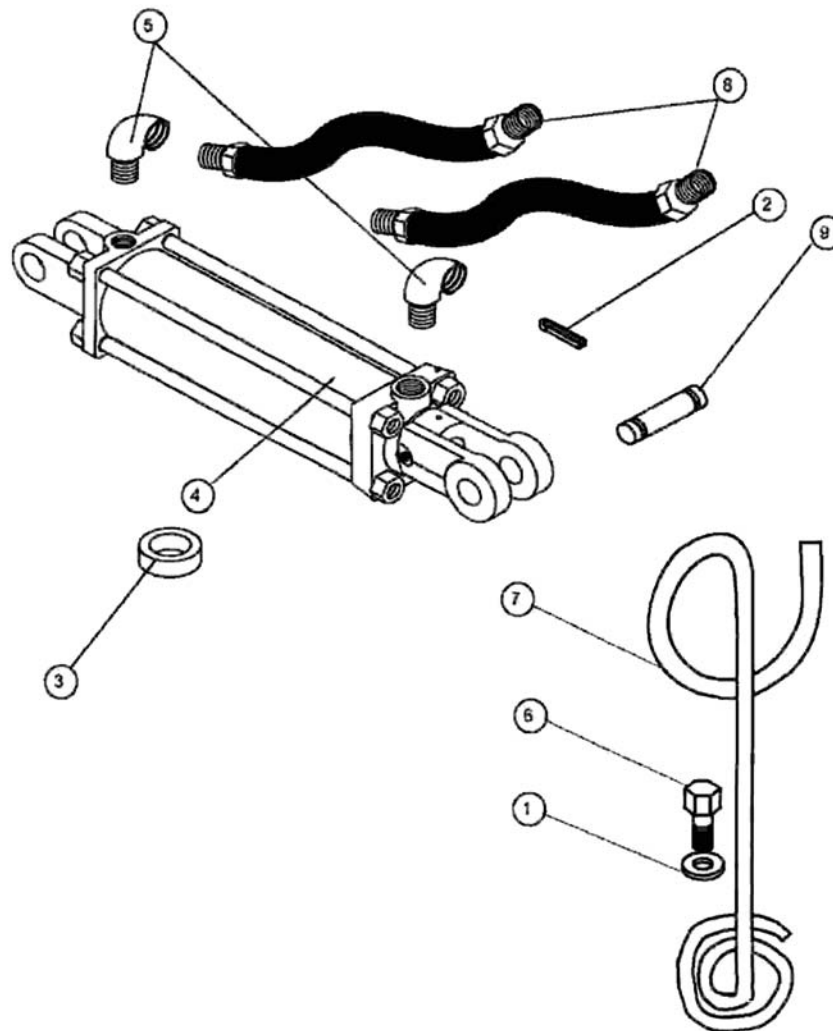


## HYDRAULIC CYLINDER 00759946A



Ref No.	Part No.	Description	Qty.
	<b>00759946A</b>	<b>Hydraulic Cylinder Assy</b>	<b>1</b>
1	2417158	Clevis Cap	1
2	2417157	Rod Cap	1
3	-----	Piston	1
4	-----	Rod 1.25" Dia.	1
5	-----	Cylinder Tube	1
6	-----	Tie Rod	4
7	-----	End Cap O-Ring	2
8	-----	Rod Wiper Seal	1
9	-----	Rod Dust Seal	1
10	-----	Piston Seal	1
11	-----	Piston Wear Ring	1
12	-----	Backup Washer	2
13	3047117	Nylon Thread Protector	1
14	1917140	Rod Clevis	1
15	00774740	Setscrew	1
16	33005H5C	Tie Rod Nut	1
17	5JRC16140	Piston Nut	1
18	1917132	Port Plug	1
19	2417154	Breather Plug	1
	00774761	Seal Kit	1

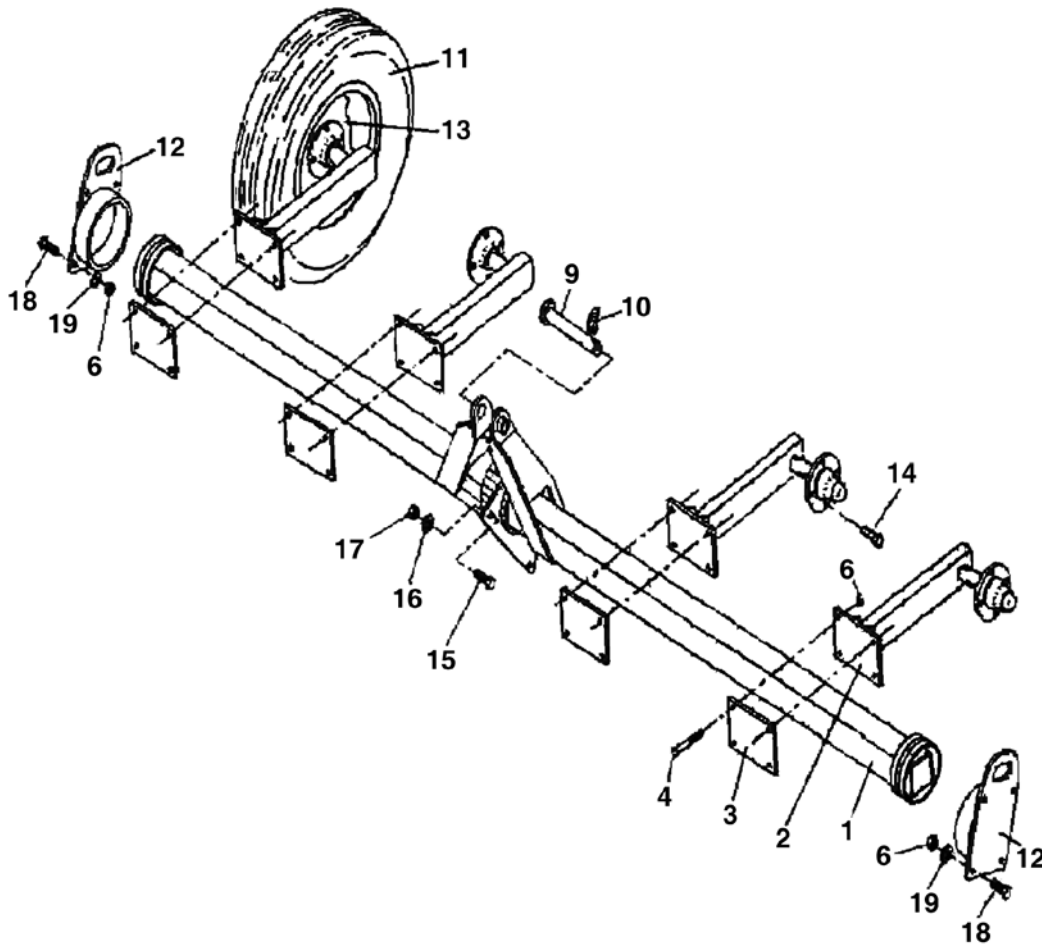
### HYDRAULIC CYLINDER - LIFT KIT OPITON



Ref. No.	Part No.	Description	Qty.
1	-----	Flatwasher, 5/8"	1
2	00606000	Cotter Pin, 3/16" x 2"	1
3	00755234	Control Spacer	1
4	00759946A	Cylinder	1
5	00774574	Hyd. Elbow Adapter	2
6	-----	Capscrew, 5/8" x 1-1/2"	1
7	02965484	Hose Bracket, Spring Base	1
8	00726800	Hydraulic Hose	2
9	8354	Cylinder Pin	1

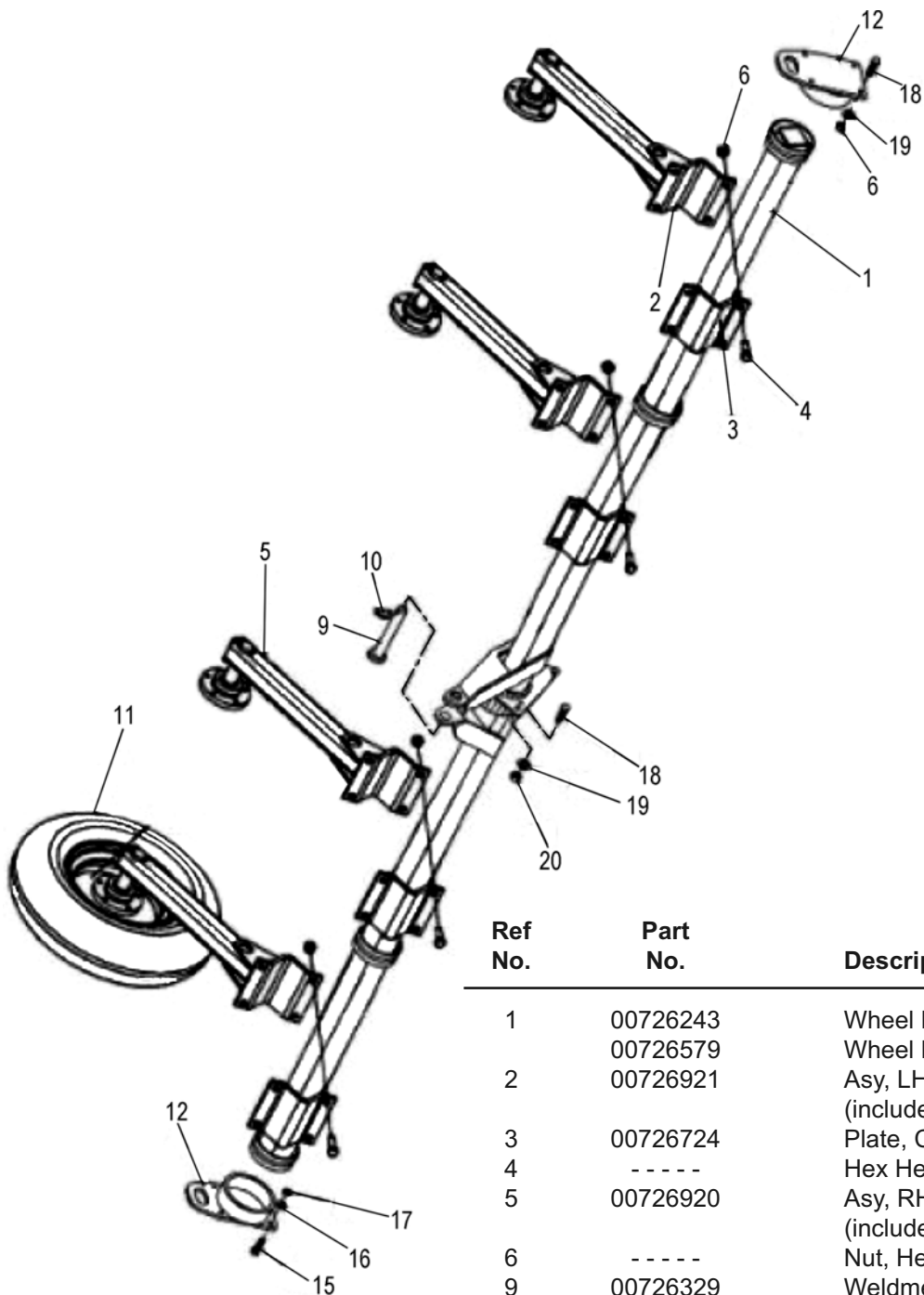


### WHEEL BAR ASSEMBLY - 115/118



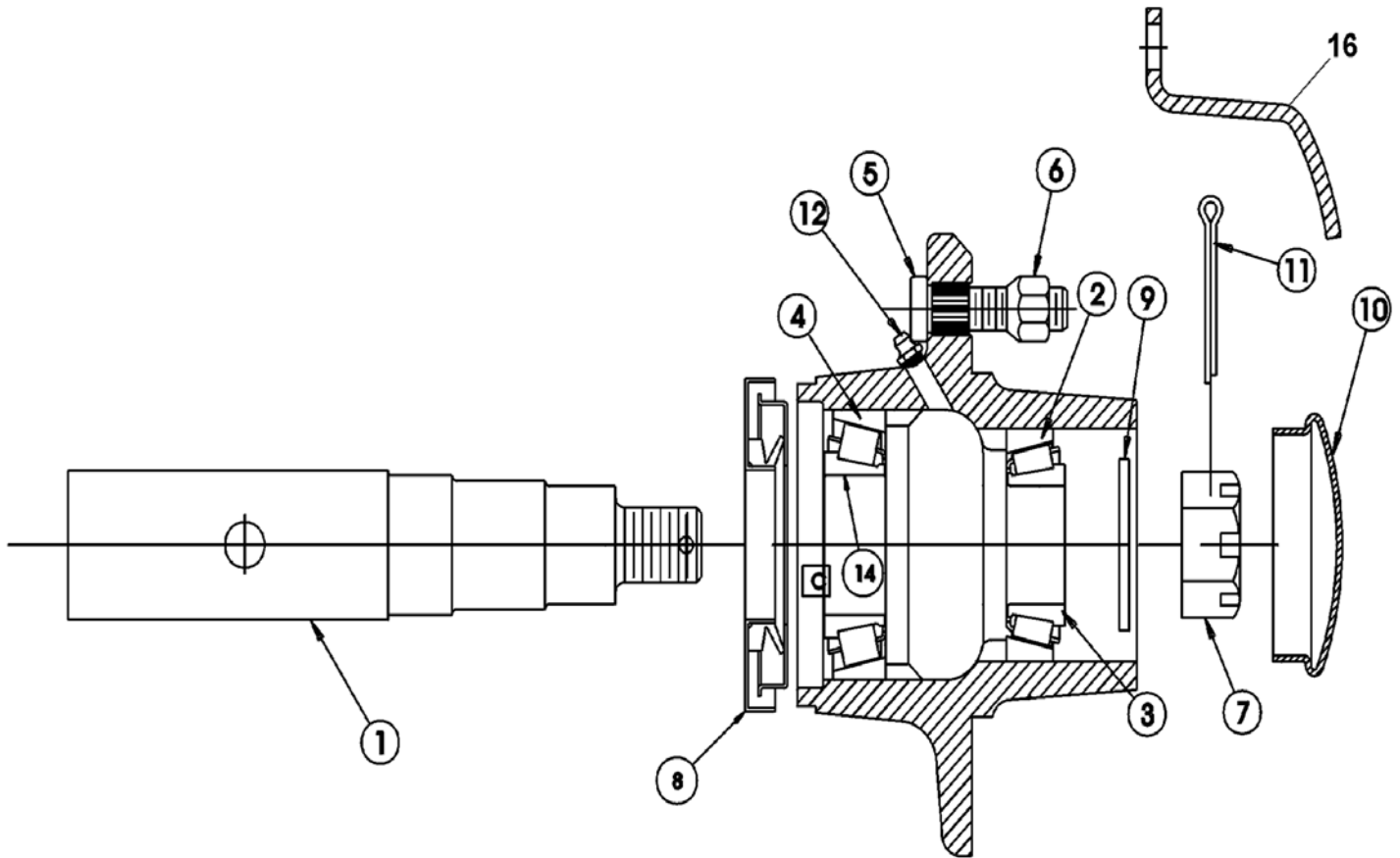
Ref No.	Part No.	Description	Qty.
1	00726241	Wheel Bar - 115	1
	00726242	Wheel Bar - 118	1
2	00727145	Wheel Spindle Weldment	4
3	00725758	Mounting Bracket Plate	4
4	-----	Capscrew, 3/4" x 6-1/2" Gr. 8	16
6	-----	Hex Nut, 3/4"	16
9	00726329	Weldment, Pin Cylinder Bracket	1
10	00725708	Snapper Pin	1
11	00601700	Tire, 6.70 X 15 Tube Type 6 Ply	4
12	00720523	Outer Wheel Bracket Weldment	2
13	00008700	15" Wheel (Rim Only)	4
14	00750614	Lug Nut	16
15	02030700	Capscrew, 1/2" x 1-1/4"	2
16	-----	Lockwasher, 1/2" Heavy	2
17	-----	Hex Nut, 1/2"	2
18	-----	Capscrew, 3/4" x 2"	8
19	-----	Lockwasher, 3/4" Heavy Gr. 8	8

### WHEEL BAR ASSEMBLY - 120/125



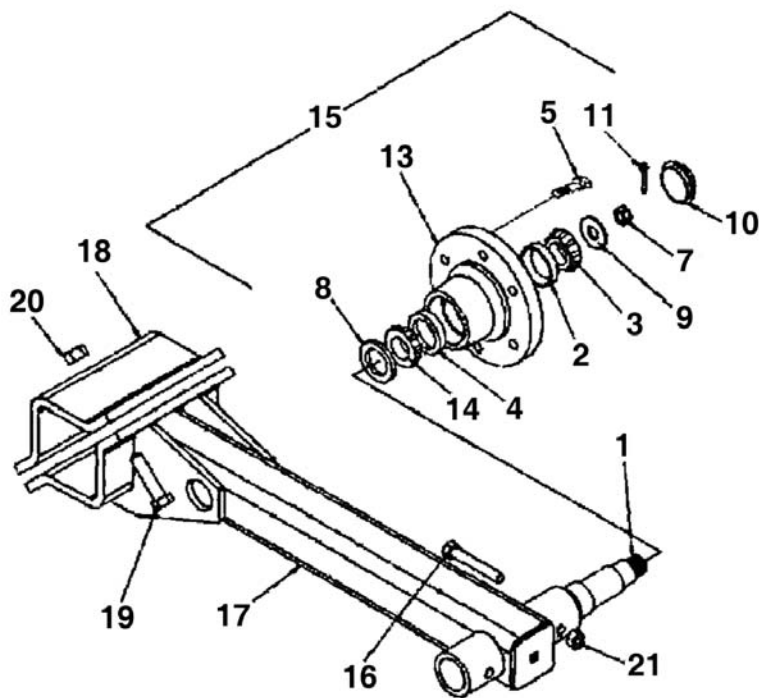
Ref No.	Part No.	Description	Qty.
1	00726243	Wheel Bar - 120	1
	00726579	Wheel Bar - 125	1
2	00726921	Asy, LH 6-BLT Wheel Spindle w/Hub (includes 3, 4, 6)	2
3	00726724	Plate, Clamp Caster	4
4	-----	Hex Head Capscrew, 2-1/2" PL8	16
5	00726920	Asy, RH 6-BLT Wheel Spindle w/Hub (includes 3, 4, 6)	2
6	-----	Nut, Hex Toplock 3/4" NC Gr. C PL.	16
9	00726329	Weldment, Pin Cylinder Bracket	1
10	00725708	Pin, Snapper 3/8" x 1-3/4"	1
11	00726768	Asy., Stubble Guard Tire Blk Rim	4
	00727040	Tube, Inner	4
	00726784	Tire, Stubble Guard	4
12	00726692	Weldment, Outer Wheel Bar Bracket	2
15	-----	HHCS, 1/2" NC 1-1/4" PL5	8
16	-----	Lockwasher, 1/2" HVY. PL	8
17	-----	Nut, 1/2" NC Hex PL	8
18	-----	HHCS, 3/4"-10 x 2" PL5	8
19	-----	Lockwasher, 3/4" HVY. PL	8
20	-----	Nut, Hex 3/4"-10 UNC - Plated	8

## WHEEL HUB ASSEMBLY -5 BOLT 115/118

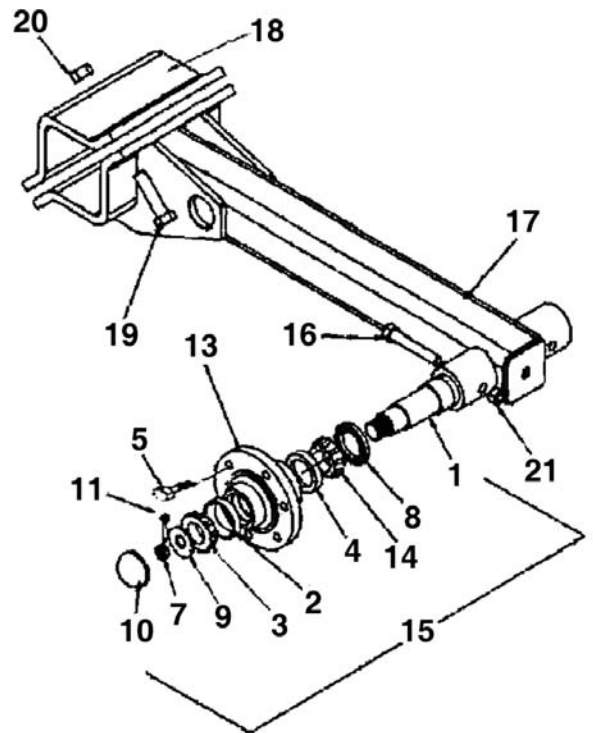


Ref No.	Part No.	Description	Qty.
	<b>00776306</b>	<b>Assy, Hub and Spindle</b>	<b>1</b>
1	00778528	Axle Spindle, Bolt-In	1
2	00016900	Bearing Cup	1
3	02957149	Bearing Cone 14137A	1
4	371247D	Bearing Cup 332	1
5	13198	Bolt, Hub	5
6	00750614	Nut, 1/2"-20NF, 90° Cone Lug	5
7	371247J	Nut, Slotted, 7/8"-14UNF	1
8	00778713	Seal Kit	1
9	15B1400	Flatwasher, 7/8" SAE	1
10	371247G	Cap, Hub	1
11	00026200	Cotter Pin, 5/32" x 1-1/2"	1
12	00003500	Grease Fitting, 1/8" Straight	1
14	00778715	Bearing Cone (Inside)	1
16	00779390	Hub Cap Retainer	1

## WHEEL SPINDLE ASSEMBLY, 6 - BOLT 120/125



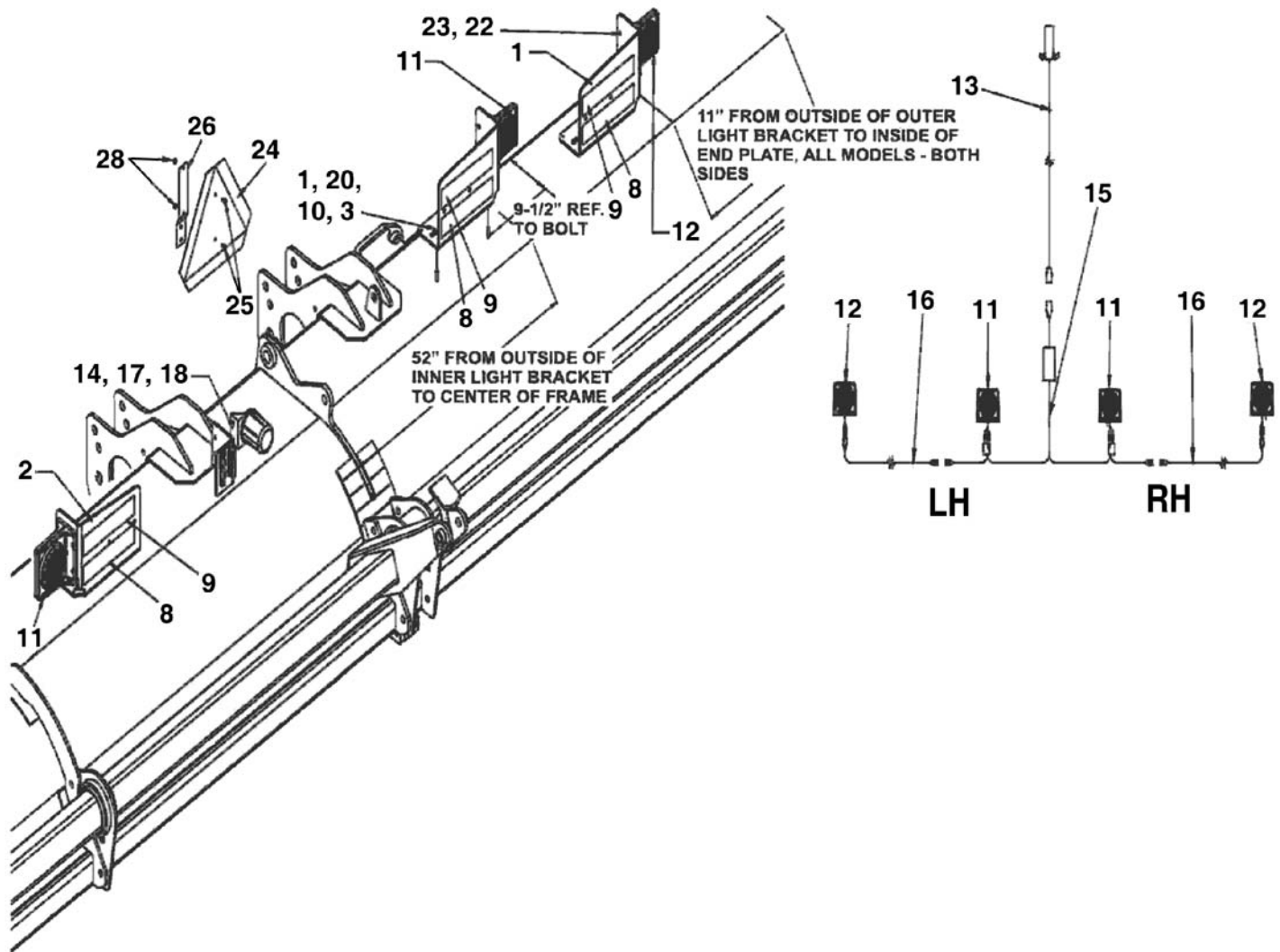
Right Hand Wheel Spindle



Left Hand Wheel Spindle

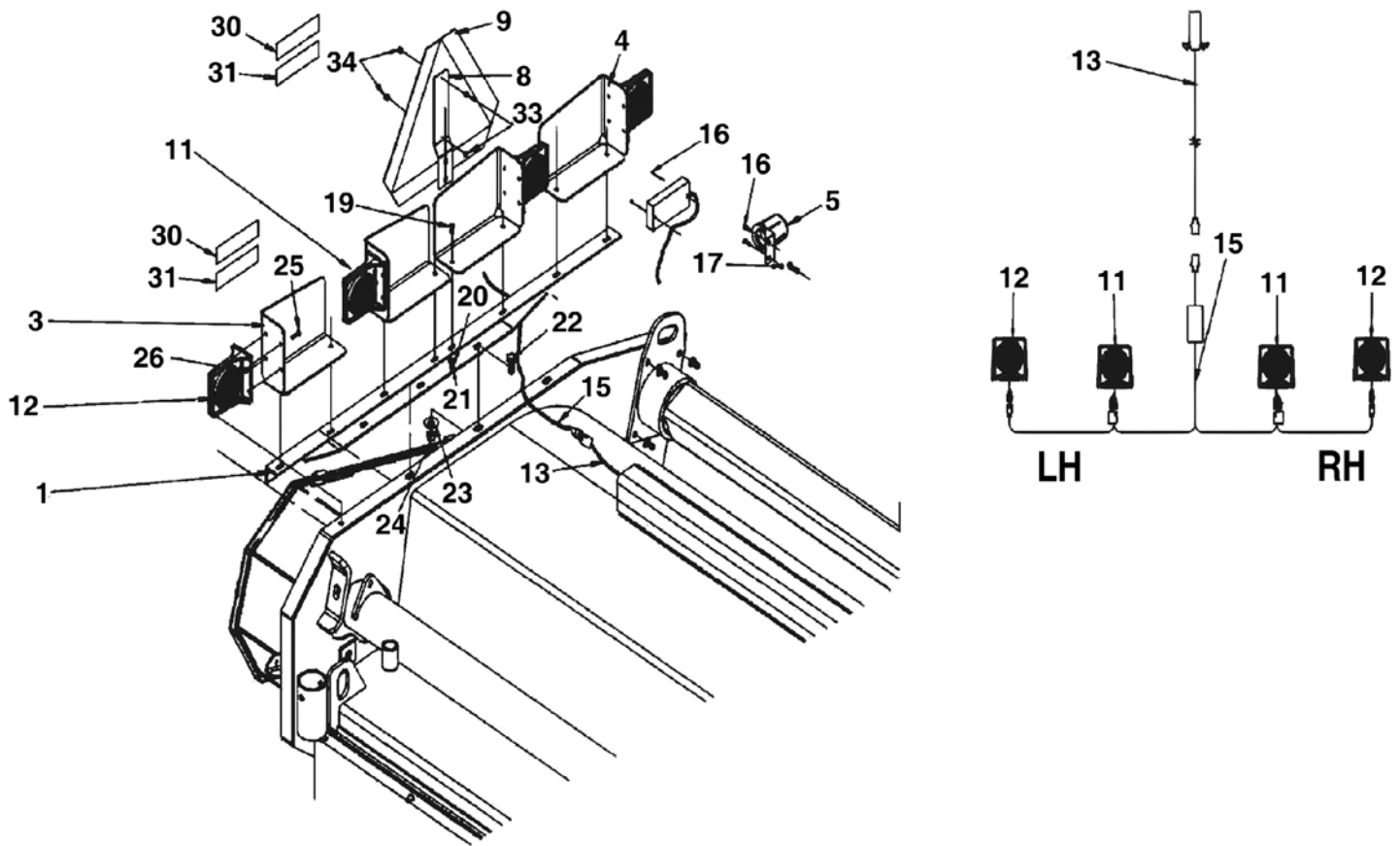
Ref No.	Part No.	Description	Qty.
1	1462529	Spindle	1
2	0536002	Bearing Cup (Outer)	1
3	0536003	Bearing Cone (Outer)	1
4	0536004	Bearing Cup (Inner)	1
5	00763429	Bolt, Wheel	6
7	371247J	Nut, Spindle	1
8	00791919	Seal, 2.00 ID x 3.005 OD	1
9	00724462	Washer	1
10	00756492	Dust Cap	1
11	00755153	Cotter Pin, 3/16" x 1-1/2"	1
13	0535506	Assy, Hub w/Cups	1
14	0536005	Bearing Cone (Inner)	1
15	1450115A	Assy, Hub & Spindle (Incl. Items 1-14)	1
16	-----	Capscrew, 3/8" x 3-1/2"	1
17	00726914	Spindle Mount Axle	1
18	00726724	Plate, Clamp	1
19	-----	Capscrew, 3/4" x 2-1/2"	4
20	00037200	Nut, Toplock, 3/4"	4
21	-----	Nut, Toplock, 3/8"	1

### SAFETY LIGHT KIT ASSEMBLY



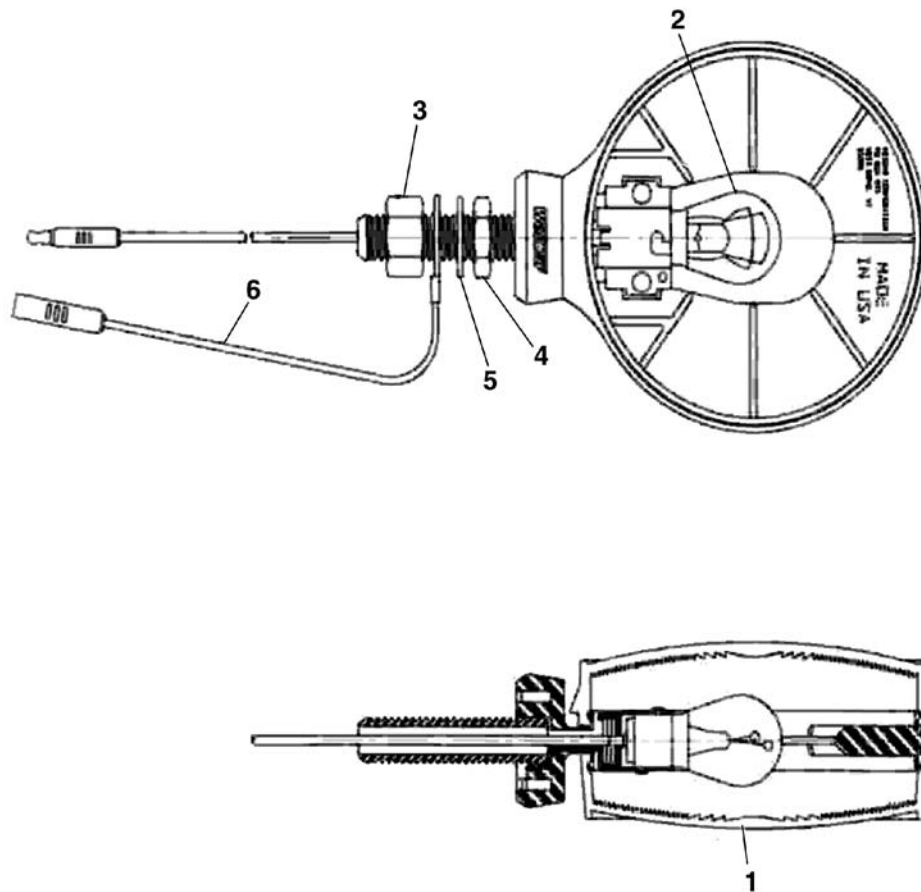
Ref. No.	Part No.	Description	Qty.	Ref. No.	Part No.	Description	Qty.
1	00726955	Bracket, Light - RH	2	17	-----	Screw, Phlp Pan Hd, #10-24 x 1-1/4"	4
2	00726954	Bracket, Light - LH	2	18	-----	Locknut, #10-24	4
3	-----	Nut, Toplock, 3/8"	14	19	-----	Capscrew, 3/8" x 1-1/4" Gr. 5	14
8	1458398	Decal, Orange Reflector	4	20	600343	Support Clamp, .500" ID x .406"	10
9	1458392	Decal, Red Reflector	4	21	0138629	Ty Rap, .301 Wide x 13" Long	8
10	-----	Flatwasher, 3/8"	14	22	-----	Capscrew, 1/4" x 1"	16
11	00726957	Signal Lamp, Red/Black	2	23	-----	Nut, Toplock, 1/4"	16
12	00726956	Signal Lamp, Amb/Amb	2	24	94359	Emblem, SMV	1
13	00726964	Harness, Main Wiring -20'	1	25	-----	Capscrew, 1/4" x 3/4"	2
14	2467903	Holder, 7-Way Connector Plug	1	26	2438621	Spade Bracket, SMV Mounting	1
15	00726963	Ag Harness, Wishbone - 10'	1	28	-----	Locknut, 1/4"	2
16	00726961	Ag Harness, Extension - 10'	2				

## SAFETY LIGHT KIT - END TOW ASSEMBLY



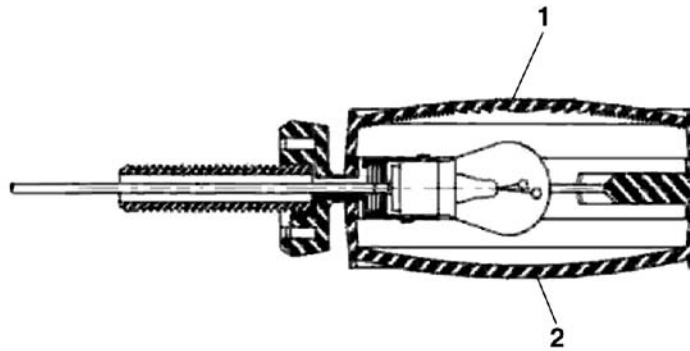
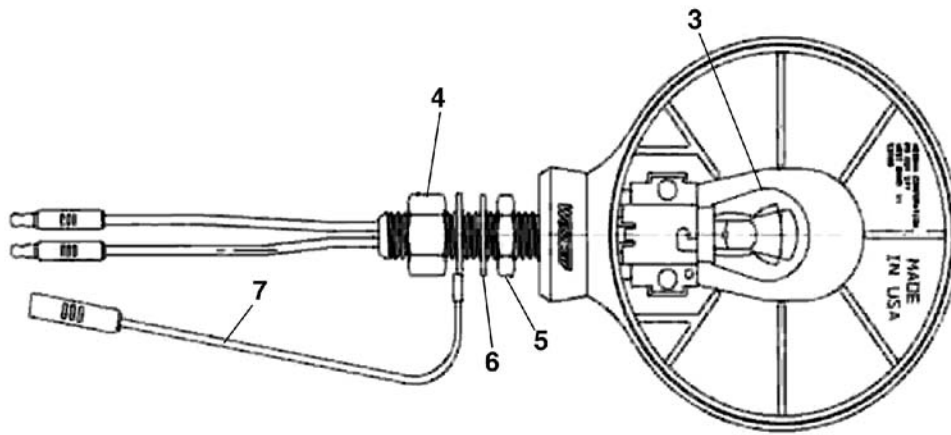
Ref. No.	Part No.	Description	Qty.	Ref. No.	Part No.	Description	Qty.
1	00726966	Weldment, Light Bracket	1	19	-----	Capscrew, 3/8" x 1"	8
3	00726955	Bracket, Light - RH	2	20	-----	Flatwasher, 3/8"	8
4	00726954	Bracket, Light - LH	2	21	-----	Nut, Toplock, 3/8"	8
5	2467903	Holder, 7-Way Connector Plug	1	22	-----	Bolt, 1/2" x 1" Gr. 5	3
6	0138629	Ty Rap, .301 Wide x 13" Long	4	23	00002700	Flatwasher, 1/2"	3
8	2438621	Spade Bracket, SMV Mounting	1	24	00001800	Locknut, 1/2"	3
9	94356	Emblem, SMV	1	25	-----	Capscrew, 1/4" x 1"	16
11	00726957	Ag Light, Single - Red/Black	2	26	-----	Nut, Toplock, 1/4"	16
12	00726956	Ag Light, Single - Amb/Amb	2	30	1458392	Decal, Red Reflector	4
13	00726965	Harness, Main Wiring -35'	1	31	1458398	Decal, Orange Reflector	4
15	00726963	Harness, Wishbone - 10'	1	33	-----	Capscrew, 1/4" x 3/4"	2
16	-----	Screw, Phlp Pan Hd., #10-24 x 1-1/4"	4	34	-----	Locknut, 1/4"	2
17	-----	Locknut, #10-24	4				

### SIGNAL LAMPS - DUAL (AMBER)



Ref. No.	Part No.	Description	Qty.
1	2417900	Lens, Amber Lamp	2
2	1417918	Bulb, Light	1
3	02816800	Hex Nut, 1/2"	1
4	33105C	Hex Jam Nut, 1/2"	1
5	370013C	Lockwasher, Int. Tooth, 1/2"	1
6	2417903	Assy, 8 Ground Wire	1

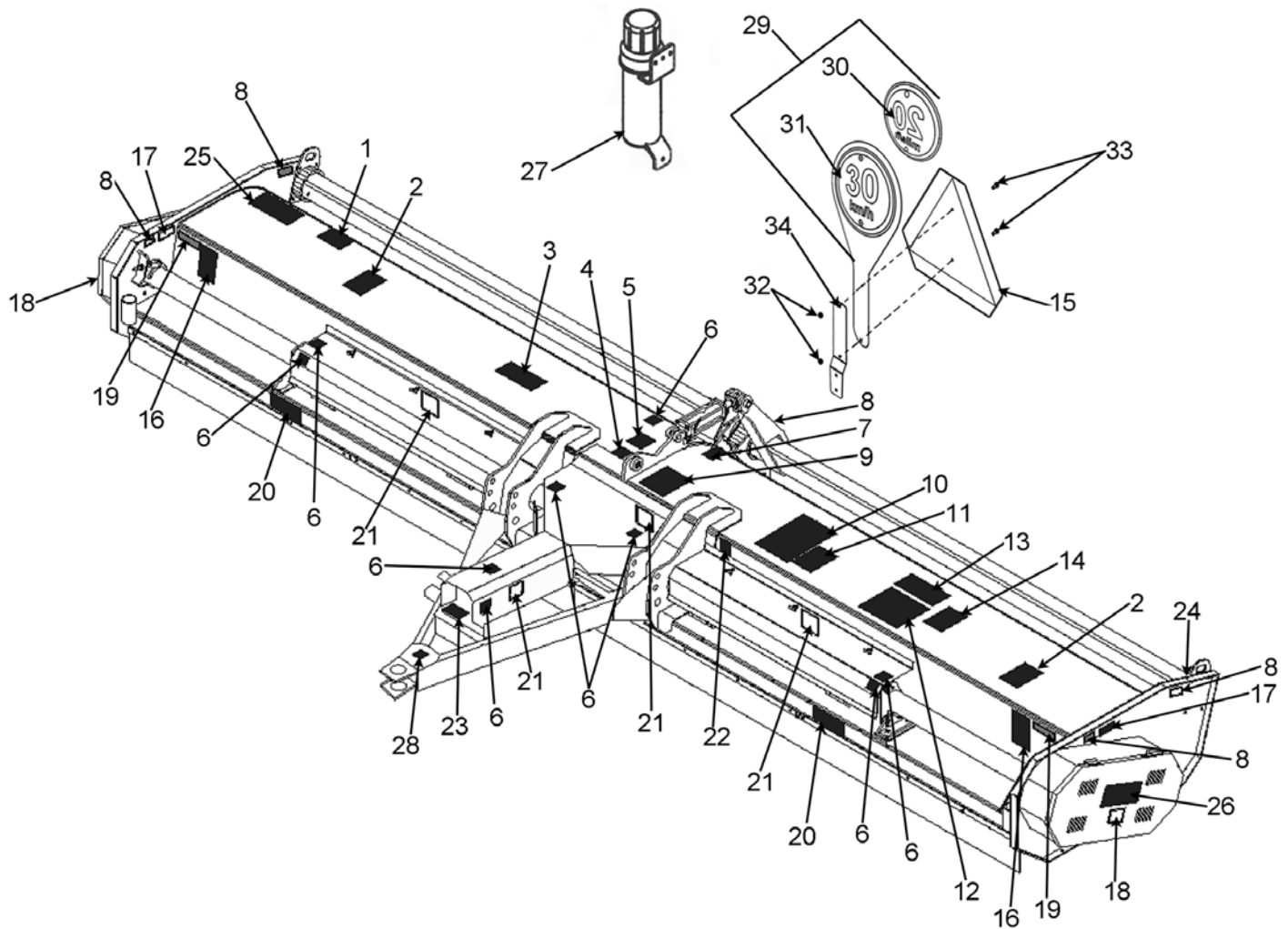
### SIGNAL LAMPS - DUAL (RED)



Ref. No.	Part No.	Description	Qty.
1	2417901	Lens, Red Lamp	1
2	2417902	Lens, Black Blank Lamp	1
3	1417902	Bulb, Light	1
4	02816800	Hex Nut, 1/2"	1
5	33105C	Hex Jam Nut, 1/2"	1
6	370013C	Lockwasher, Int. Tooth, 1/2"	1
7	2417903	Assy, 8 Ground Wire	1



### DECALS



Ref. No.	Part No.	Description	Qty.	Ref. No.	Part No.	Description	Qty.
1	00725747BH	Decal, RC Flail Operating Instructions	1	20	D626	Decal, Deflectors, Missing	2
2	00725715	Decal - Lift Points	2	21	00756004	Decal, Danger - Guard Missing	4
3	D559	Decal, Genuine Bush Hog Parts	1	22	00725745	Decal Quick Coupler Hitch Only	1
4	00725738	Decal, Gearbox Lubrication	1	23	D525	Decal, Warning - Jack Capacity	1
5	-----	Decal, 5 Yr. Gearbox Warranty	1	24	-----	Serial Number Plate	1
6	000678	Decal, Grease Fitting Inside	9	25	50061049	Bush Hog Decal	4
7	D623	Decal	1	26	50075076	Decal, Logo - BRC115	2
8	1438333	Decal, Grease - 10 Hrs	5		50075077	Decal, Logo - BRC118	2
9	D114	Decal, 1000 RPM	1		50075078	Decal, Logo - BRC120	2
10	D390	Decal Warning, Serious Injury	1		50075079	Decal, Logo - BRC125	2
11	999001	Decal, Warning - Tractor Weight	1	27	00776031	Canister, Parts Manual	1
12	D882	Decal, Danger-Avoid Injury, BH	1	28	D1085	Decal, Notice Towing	1
13	D813	Danger Decal, Multi-Lingual	1	29	50082008	Sis Plate w/Decals	1
14	00725713	Decal Lubrication Chart	1	30	50082007	Decal, Speed ID (20 mph/h)	1
15	94359	Emblem, SMV	1	31	50082010	Decal, Speed, ID (30 km/h)	1
16	00725720	Decal, Belt Adjustment, RC Flail	1	32	-----	Hex Locknut, 1/4"-20	2
17	D641	Decal, Hazard, Pinch Points	2	33	-----	Hex Head Capscrew 1/4" NC 3/4" Pls	2
18	00775933	Decal, Warning Guard Missing	2	34	2438621	Spade Bracket, SMV Mounting	1
19	1458393	Decal, Yellow Reflector	2				







**BUSH HOG<sup>®</sup>**

2501 GRIFFIN AVE. • SELMA, AL 36703  
[WWW.BUSHHOG.COM](http://WWW.BUSHHOG.COM)