

**BUSH HOG®**

# PHDHF-2 Series PHDHF35 Series

**POST HOLE DIGGER**

HYDRAULIC PLANETARY DRIVE

MODELS: PHDHF15-2, PHDHF20-2,

PHDHF30-2, PHDHF35

Revised 04/22

MATERIAL HANDLING PARTS

## PARTS MANUAL SECTION 02C



PHDHF-2  
PHDHF35  
SERIES

**BUSH HOG®**

2501 Griffin Ave.  
Selma, AL 36703  
Parts Ordering 1-800-304-2836  
www.bushhog.com

**ATENCIÓN!**

LEA EL INSTRUCTIVO

Si No Lee Ingles, Pida Ayuda a Alguien  
Que Si Lo Lea Para Que le Traduzca las  
Medidas de Seguridad.



**A** MEMBER OF THE  
ALAMO GROUP  
ALWAYS ON THE CUTTING EDGE®

© 2019 Alamo Group Inc.

## PARTS ORDERING GUIDE

The following instructions are offered to help eliminate needless delay and error in processing purchase orders for the equipment in this section.

1. The Parts Section is prepared in logical sequence and grouping of parts that belong to the basic machine featured in this manual. Part Numbers and Descriptions are given to help locate the parts and quantities required.
2. The Purchase Order must include the name and address of the person or organization ordering the parts, who should be charged, and if possible, the serial number of the machine for which the parts are ordered.
3. The Purchase Order must clearly list the quantity of each part, the complete and correct part number (be sure to include all periods), and the basic name of the part.
4. The Manufacturer reserves the right to substitute parts where applicable.
5. Some parts are unlisted items which are special production items not normally stocked and are subject to special handling. Request a quotation for such parts before sending a Purchase Order.
6. The Manufacturer reserves the right to change prices without prior notice.



For maximum safety and to guarantee optimum product reliability, always use genuine BUSH HOG Parts. The use of inferior replacement parts may cause premature or catastrophic failure which could result in serious injury or death. Direct any questions regarding parts to:

**BUSH HOG**  
**2501 Griffin Ave.**  
**Selma, AL 36703**  
**[www.bushhog.com](http://www.bushhog.com)**  
**Contact Us**  
**800-304-2836**



**BUSH HOG®**

# To the Owner/Operator/Dealer

All implements with moving parts are potentially hazardous. There is no substitute for a cautious, safe-minded operator who recognizes the potential hazards and follows reasonable safety practices. The manufacturer has designed this implement to be used with all its safety equipment properly attached to minimize the chance of accidents.

**BEFORE YOU START!** Read the safety messages on the implement and shown in your manual. Observe the rules of safety and common sense!



# DANGER

FAILING TO FOLLOW SAFETY MESSAGES AND OPERATING INSTRUCTION CAN CAUSE SERIOUS BODILY INJURY OR EVEN DEATH TO OPERATOR AND OTHERS IN THE AREA.

<p>1.</p> 	<p>2. NO RIDERS. NO CHILDREN OPERATORS</p> 	<p>3. USE SAFETY SHOES, HARD HAT, SAFETY GLASSES, SEAT BELTS, ROPS &amp; OPS.</p> 	<p>4. BLOCK UP SECURELY BEFORE WORKING UNDER.</p> 
---	--	--	---

1. Study and understand Operator's Manuals, Safety Decals, and Instructional Decals for tractor and implement to prevent misuse, abuse, and accidents. Practice before operating in a confined area or near passersby.

- Learn how to stop engine suddenly in an emergency. Be alert for passersby and especially children.

2. Allow no children on or near folding mower or tractor. Allow no riders on tractor or implement. Falling off may cause serious injury or death from being run over by tractor or mower or contact with rotating blades.

3. Operate only with tractor having Roll-Over Protective Structure (ROPS) and with seat belt securely fastened to prevent injury and possible death from falling off or tractor overturn.

- Personal Protective Equipment such as Hard Hat, Safety Glasses, Safety Shoes, & Ear Plugs are recommended.

4. Block up or support raised machine and all lifted components securely before putting hands or feet under or working underneath any lifted component to prevent crushing injury or death from sudden dropping or inadvertent operation of controls. Make certain area is clear before lowering or folding.

5. Before transporting, put Lift Lever in detent or full-lift position. Install Transport Safety Devices securely on folding mowers. Put Booms securely in Transport Rest.

- Folding and Boom Mowers have raised center of gravity. Slow down when turning and on hillsides.

6. Make certain that SMV sign, warning lights, and reflectors are clearly visible. Follow local traffic codes.

7. Never operate with Cutting Head or Folding Section raised if passersby, bystanders, or traffic are in the area to reduce possibility of injury or death from objects thrown by Blades under Guards or mower structure.

8. Before dismounting, secure implement in transport position or lower to ground.

- Put tractor in park position or set brake, disengage PTO, stop engine, remove key, and wait until noise of rotation has ceased to prevent crushing by entanglement in rotating parts which could cause injury or death.
- Never mount or dismount a moving vehicle. Crushing from rollover may cause serious injury or death.

<p>5. TRANSPORT SAFELY, LOCK UP.</p> 	<p>6. USE SMV, LIGHTS, &amp; REFLECTORS.</p> 	<p>7. DO NOT OPERATE WITH CUTTER OR WING RAISED</p> 	<p>8. DO NOT MOUNT OR DISMOUNT WHILE MOVING.</p> 
--	--	--	--

02967827

## WARRANTY INFORMATION:

Read and understand the complete Warranty Statement found in this Manual. Fill out the Warranty Registration Form in full and return it to within 30 Days. Make certain the Serial Number of the Machine is recorded on the Warranty Card and on the Warranty Form that you retain.



## LIMITED WARRANTY for PHDHF-2 & PHDHF35 MODELS

Bush Hog warrants to the original purchaser of any new Bush Hog PHDHF, purchased from an authorized Bush Hog dealer, that the equipment be free from defects in material and workmanship for a period of four (4) years for non-commercial, state, and municipalities' use and ninety (90) days for commercial use from date of retail sale. The obligation of Bush Hog to the purchaser under this warranty is limited to the repair or replacement of defective parts.

Replacement or repair parts installed in the equipment covered by this limited warranty are warranted for ninety (90) days from the date of purchase of such part or to the expiration of the applicable new equipment warranty period, whichever occurs later. Warranted parts shall be provided at no cost to the user at an authorized Bush Hog dealer during regular working hours. Bush Hog reserves the right to inspect any equipment or parts which are claimed to have been defective in material or workmanship.

**NOTICE: Bush Hog is NOT responsible for damage to augers caused by hitting underground objects (rocks, roots, etc.) or for bent augers caused by moving the tractor with the auger in the ground.**

### DISCLAIMER OF IMPLIED WARRANTIES & CONSEQUENTIAL DAMAGES

Bush Hog's obligation under this warranty, to the extent allowed by law, is in lieu of all warranties, implied or expressed, **INCLUDING IMPLIED WARRANTIES OF MERCHANTABILITY AND FITNESS FOR A PARTICULAR PURPOSE** and any liability for incidental and consequential damages with respect to the sale or use of the items warranted. Such incidental and consequential damages shall include but not be limited to: transportation charges other than normal freight charges; cost of installation other than cost approved by Bush Hog; duty; taxes; charges for normal service or adjustments; loss of crops or any other loss of income; rental of substitute equipment, expenses due to loss, damage, detention or delay in the delivery of equipment or parts resulting from acts beyond the control of Bush Hog.

### THIS WARRANTY SHALL NOT APPLY:

1. To vendor items which carry their own warranties, such as hydraulic cylinders, tires, and tubes.
2. If the unit has been subjected to misapplication, abuse, misuse, negligence, fire or other accident.
3. If parts not made or supplied by Bush Hog have been used in connection with the unit, if, in sole judgement of Bush Hog such use affects its performance, stability, or reliability.
4. If the unit has been altered or repaired outside of an authorized Bush Hog dealership in a manner which, in the sole judgement of Bush Hog affects its performance, stability or reliability.
5. To normal maintenance service and normal replacement items such as gearbox lubricant, hydraulic fluid, worn blades, or to normal deterioration of such things as belts, seals, and exterior finish, due to use or exposure.
6. To expendable or wear items such as teeth, chains, center points, belts, springs and other items that in the company's sole judgement is a wear item.

NO EMPLOYEE OR REPRESENTATIVE OF BUSH HOG IS AUTHORIZED TO CHANGE THIS WARRANTY IN ANY WAY OR GRANT ANY OTHER WARRANTY UNLESS SUCH CHANGE IS MADE IN WRITING AND SIGNED BY BUSH HOG'S SERVICE MANAGER, 2501 GRIFFIN AVE., SELMA, ALABAMA 36703.

Record the model number, serial number and date purchased. This information will be helpful to your dealer if parts or service are required.

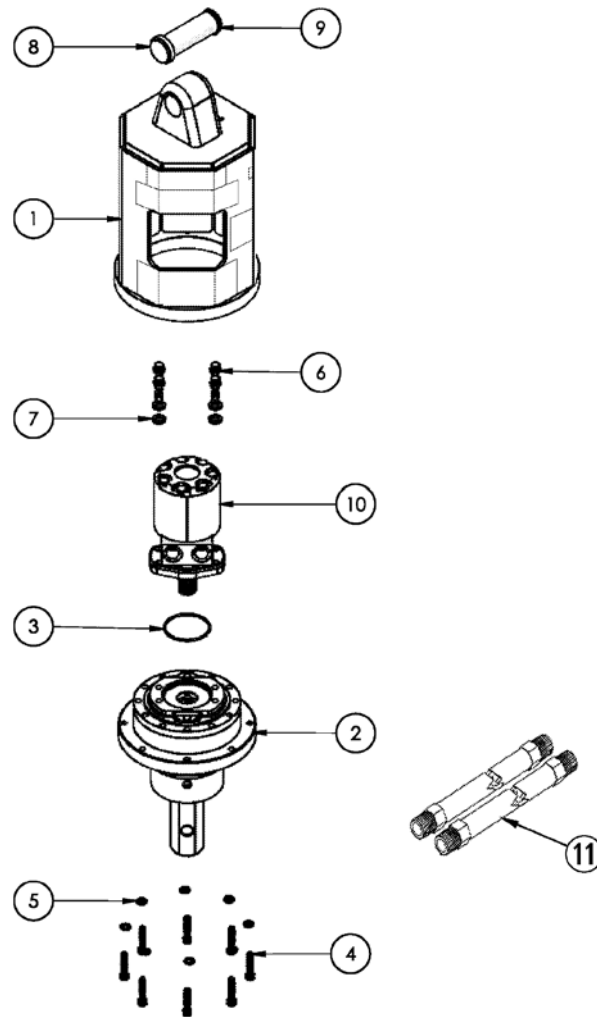
# PHDHF-2, PHDHF35 SERIES HYDRAULIC POST HOLE DIGGER

## INDEX

<b>CONTENTS</b>	<b>PAGE</b>
<b>AUGERS</b>	
Auger - T Post Puff Auger .....	.2C-3-1
Auger - HSDA Style .....	.2C-3-2
Auger - HSDA Style Tree Auger .....	.2C-3-3
<b>DECALS</b>	
Decals PHDHF-2, PHDHF35 Series .....	.2C-4-1
<b>DRIVES</b>	
Planetary Hydraulic Drive PHDHF-2, PHDHF35 SERIES .....	.2C-1-1
<b>MOUNTS</b>	
Mount Bracket, Front End Loader Bucket .....	.2C-2-1
Mount Bracket, Universal Skid Steer Center Hitch .....	.2C-2-2
Mount Bracket, Universal Skid Steer R.H. Offset Hitch .....	.2C-2-3
Mount Bracket, EURO Style R.H. Offset Hitch .....	.2C-2-4
<b>OPTIONS</b>	
Extension, Auger 24" and 48" .....	.2C-3-4
Adapters, Hex Shaft to Round Shaft and Round Shaft to Hex Shaft .....	.2C-3-4
Hose Kit, 2 - 25' foot Hoses .....	.2C-3-4

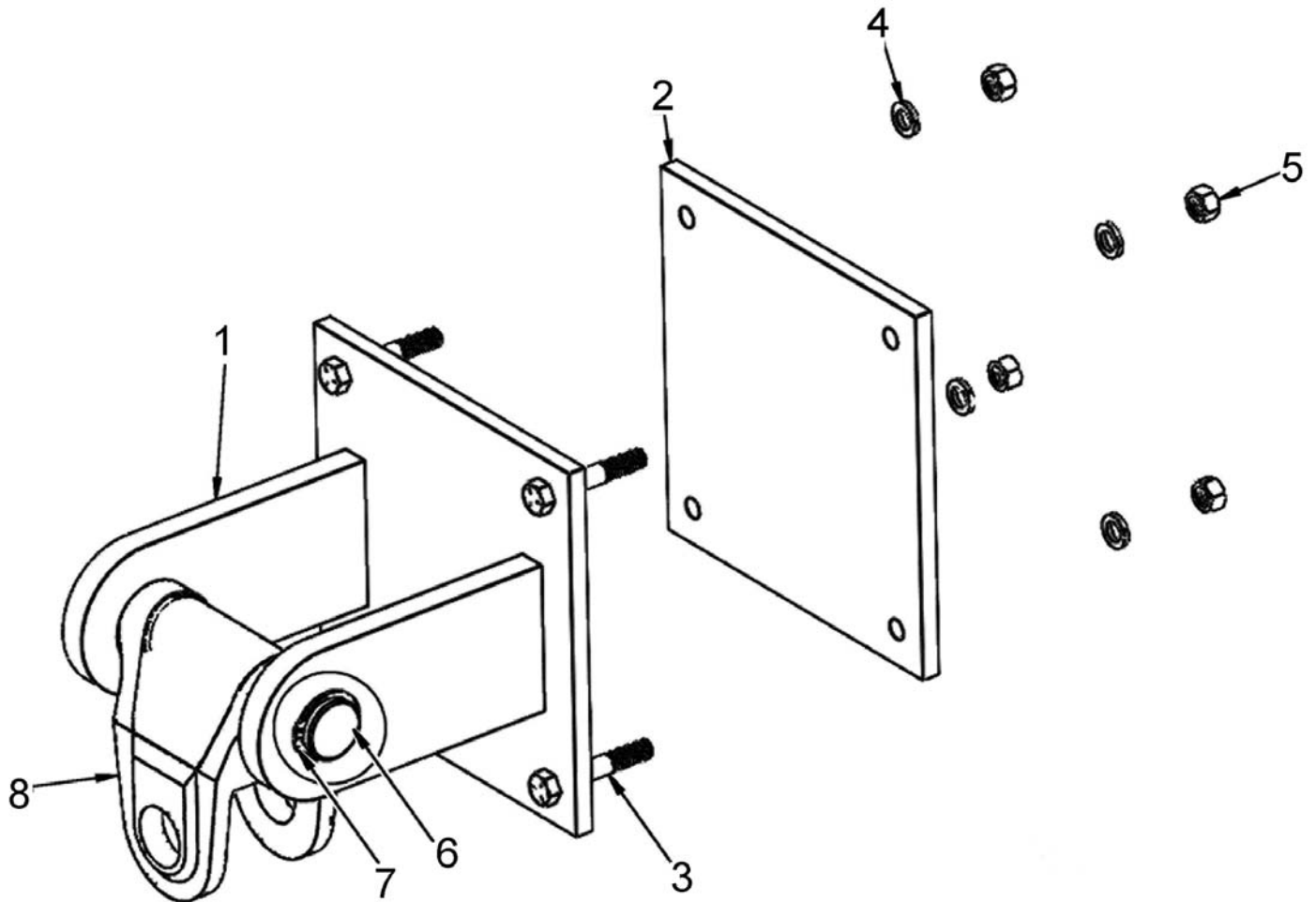


## PLANETARY HYDRAULIC DRIVE PHDHF-2, PHDHF35 SERIES



Ref. No.	Part No.	Description	Qty. Req'd.	Notes
1	50076992	Housing With Decals	1	
2	50076997	Gearbox Assy. Planetary	1	
3	50076998	O-Ring 3MM x 82MM Buna 70	1	
4	50076999	Bolt 3/8"-16 x 1-3/4" Black Oxide	8	
5	15812	Lockwasher 3/8" Black	8	
6	00777006	Bolt 1/2-13 x 1-1/2" Gr5 12 PT	4	
7	15806	Lockwasher 1/2" CP	4	
8	50077000	Pin, Housing To Swivel	1	
9	50077001	Snap Ring, Housing/Qt Pin	1	
10	50076993	Hydraulic Motor, 6-15 GPM	1	PHDHF15-2
	50076994	Hydraulic Motor, 10-20 GPM	1	PHDHF20-2
	50076995	Hydraulic Motor, 15-30 GPM	1	PHDHF30-2
	50076996	Hydraulic Motor, 20-35 GPM	1	PHDHF35
11	00786062	Hose Kit, 1/2" x 96" w/Cover	1	

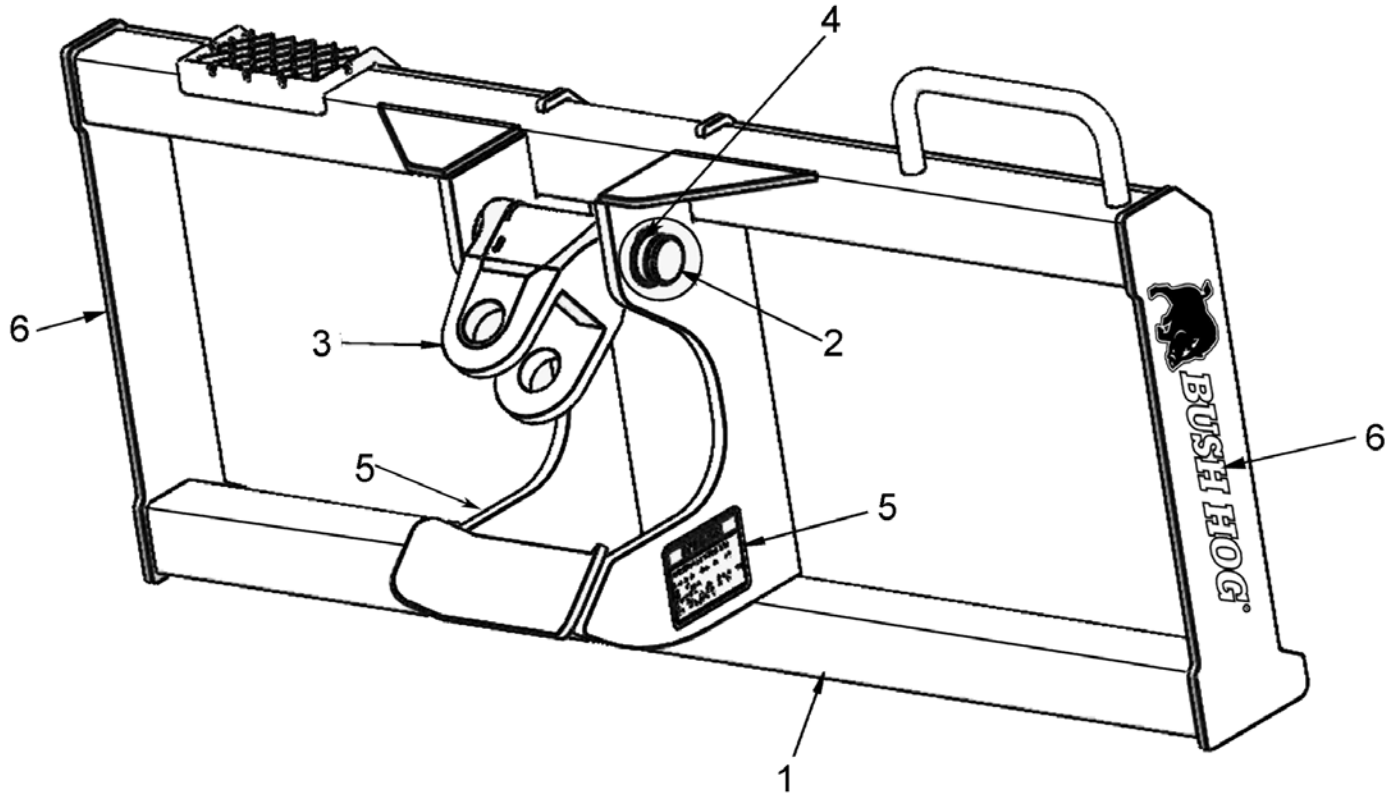
## 50077004 FRONT END LOADER MOUNTING BRACKET PHDHF-2 and PHDHF35



Ref. No.	Part No.	Description	Qty. Req'd.	Notes
	50077004	Mount Bracket Assy.	1	Loader Bucket Bracket
1	-----	Loader Bracket Weldment	1	Order 50077004
2	50074578	Plate Mounting	1	
3	20864	Capscrew 1/2" x 3" G5 ZP	4	
4	15806	Lockwasher, 1/2" CP	4	
5	8151600	Hex Nut 1/2" CP	4	
6	50077002	Pin, Housing Swivel	1	
7	50077001	Snap Ring, Housing/QT Pin	1	
8	50077003	Swivel, Cast Painted	1	

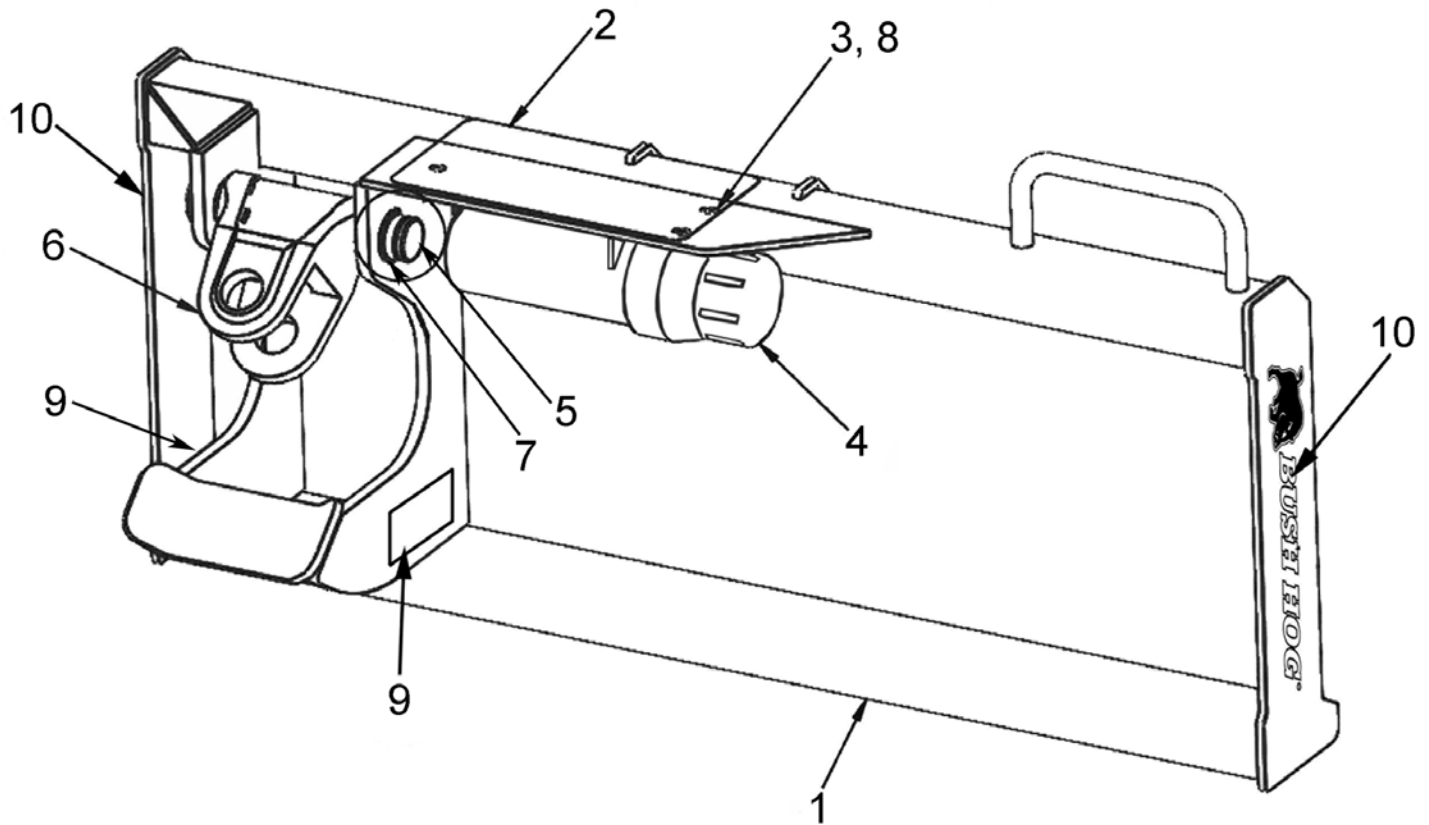


## 50077005 UNIVERSAL SKID STEER QUICK ATTACH with CENTER HITCH PHDHF-2 and PHDHF35



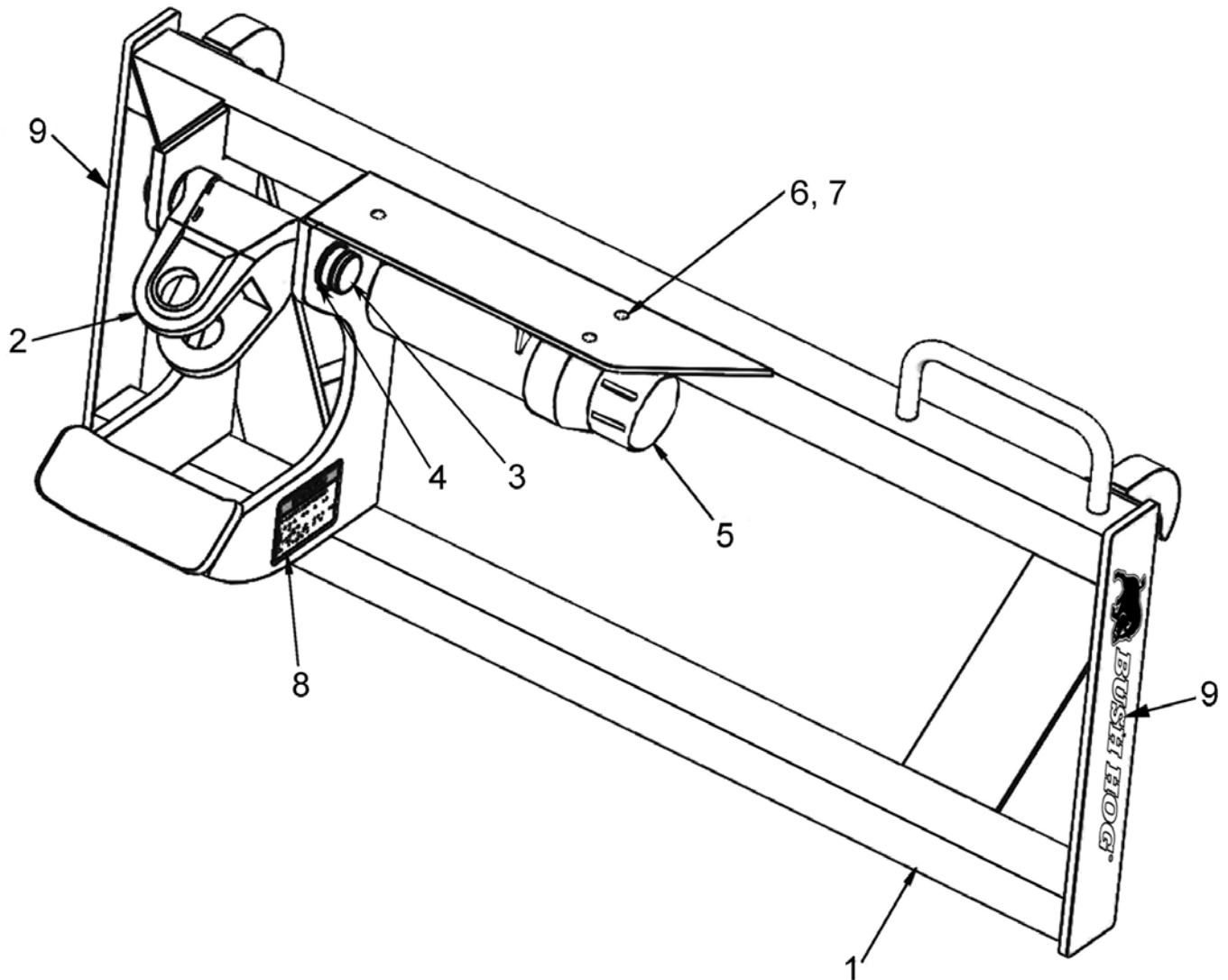
Ref. No.	Part No.	Description	Qty. Req'd.	Notes
	50077005	Hitch, Skid Steer Universal	1	Quick Attach w/Center Hitch Order 50077005
1	----	QT100 Fame Weldment	1	
2	50077002	Pin, Housing Swivel	1	
3	50077003	Swivel, Cast Painted	1	
4	50077001	Snap Ring, Housing/QT Pin	1	
5	50074568	Decal, Danger	2	
6	50083389	Decal, Bush Hog	2	

## 50077006 UNIVERSAL SKID STEER QUICK ATTACH with OFFSET to RIGHT HITCH PHDHF-2 and PHDHF35



Ref. No.	Part No.	Description	Qty. Req'd.	Notes
	50077006	Hitch, Skid Steer Universal	1	Quick Attach w/ RH Offset Hitch Order 50077006
1	-----	QT RH Frame Weldment	1	
2	50074577	Non-Skid Adhesive Tread	1	
3	-----	Rivet, 1/4" x 3/4"	3	
4	50035829	Owners Manual Tube	1	
5	50077002	Pin, Housing Swivel	1	
6	50077003	Swivel, Cast Painted	1	
7	50077001	Snap Ring, Housing/QT Pin	1	
8	15918BH	Flatwasher, 1/4" ZP	3	
9	50074568	Decal, Danger	2	
10	50083389	Decal, Bush Hog	2	

## 50077007 EURO STYLE SKID STEER QUICK ATTACH with OFFSET to RIGHT HITCH PHDHF-2 and PHDHF35

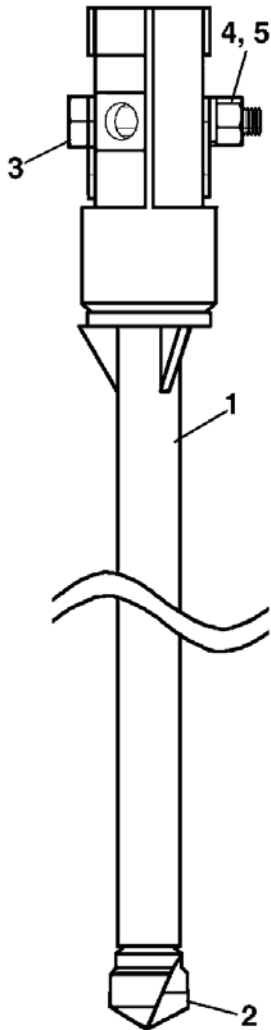


Ref. No.	Part No.	Description	Qty. Req'd.	Notes
	50077007	Hitch, Skid Steer Euro Style	1	Quick Attach w/ RH Offset Hitch Order 50077007
1	-----	QT Euro Frame Weldment	1	
2	50077003	Swivel, Cast Painted	1	
3	50077002	Pin, Housing Swivel	3	
4	50077001	Snap Ring, Housing/QT Pin	1	
5	50035829	Owners Manual Tube	1	
6	-----	Rivet, 1/4" x 1"	3	
7	15918BH	Flatwasher, 1/4" ZP	3	
8	50074568	Decal, Danger	2	
9	50083389	Decal, Bush Hog	2	

## T-POST PUFF AUGER

### PHDHF-2 SERIES (SOIL, CLAY, COMPACTED SOIL)

### PHDHF35 SERIES (SOIL, CLAY, COMPACTED SOIL)



NOTE: If Auger Assembly or Auger Weldment is needed please order from Whole Goods Price List.

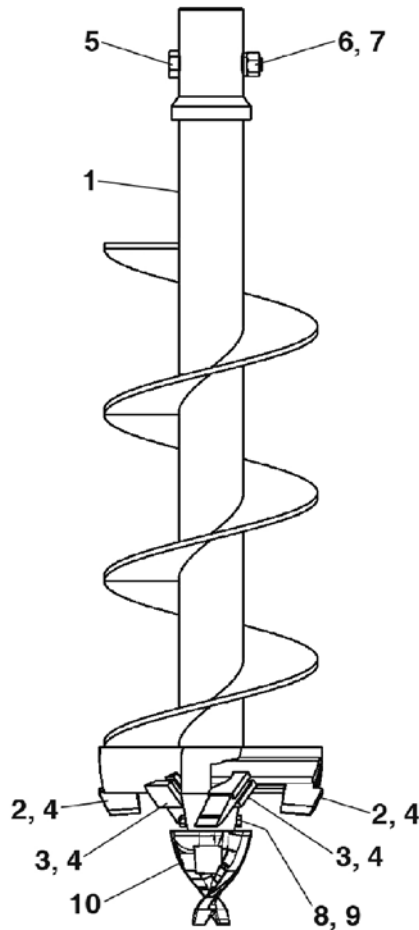
00776653 T-Post Puff Auger 2"

Ref. No.	Part No.	Description	Qty. Req'd.	Notes
1	-----	T-Post PUFF Auger Weldment	1	See Not Above
2	00777025	PUFF Drill Point	1	
3	20264	Capscrew 3/4" x 4" Gr.5	1	
4	19517	Hex Nut 3/4"	1	
5	146	Lockwasher 3/4"	1	

## HSDA AUGERS

### PHDHF-2 SERIES (SOIL, CLAY, LOOSE ROCK)

### PHDHF35 SERIES (SOIL, CLAY, LOOSE ROCK)



**NOTE:** If Auger Assembly or Auger Weldment is needed please order from Whole Goods Price List.

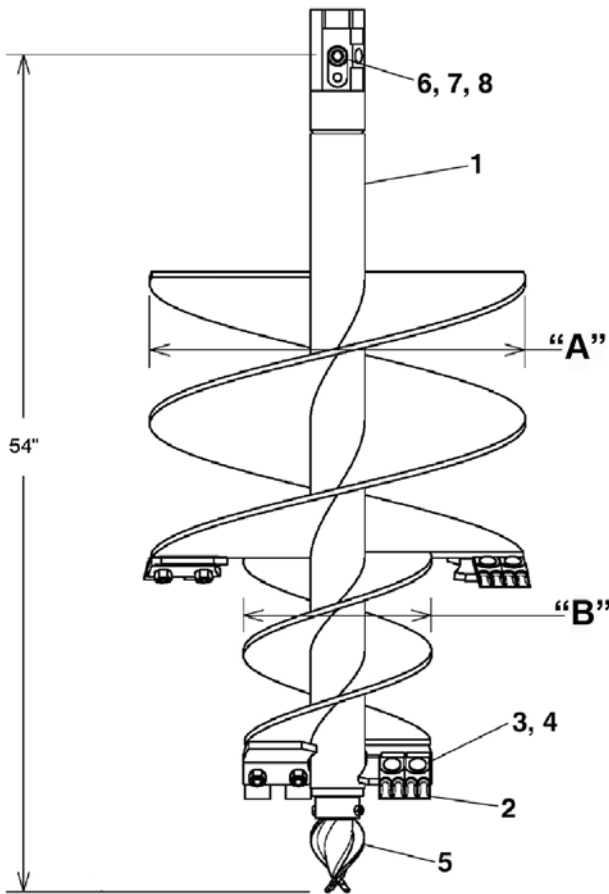
- 00789048 - 6" Auger w/ 2 Teeth
- 00789049 - 9" Auger w/ 4 Teeth
- 00789050 - 12" Auger w/ 4 Teeth
- 00789051 - 18" Auger w/ 6 Teeth
- 00789052 - 24" Auger w/ 8 Teeth
- 00789053 - 30" Auger w/ 10 Teeth
- 00789054 - 36" Auger w/ 12 Teeth

Ref. No.	Part No.	Description	Qty. Req'd.	Notes
1	N/A	Auger Weldment	1	SEE NOTE ABOVE
2	50074574	Tooth 35G	2	
3	00777026	Flat Tooth 35-1-35	A/R	As Required
4	50074575	Clip Lock	A/R	As Required
5	20264	Capscrew 3/4" 4-1/2" Gr.5	1	
6	19517	Hex Nut 3/4"	1	
7	146	Lockwasher 3/4"	1	
8	44619BH	Capscrew 3/8" x 3-1/4" Gr.5	1	
9	20363	Locknut 3/8"	1	
10	50074576	Pilot SB45-SQ	1	

## HSDA TREE AUGERS

### PHDHF-2 SERIES (SOIL, CLAY, LOOSE ROCK)

### PHDHF35 SERIES (SOIL, CLAY, LOOSE ROCK)

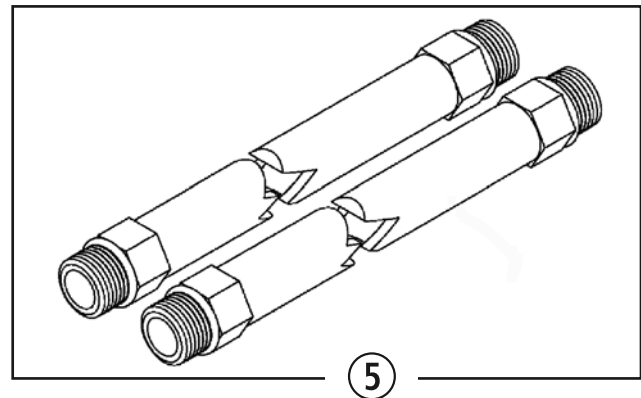
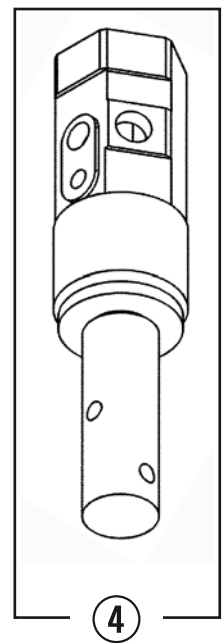
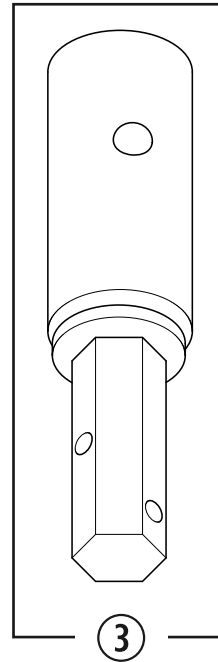
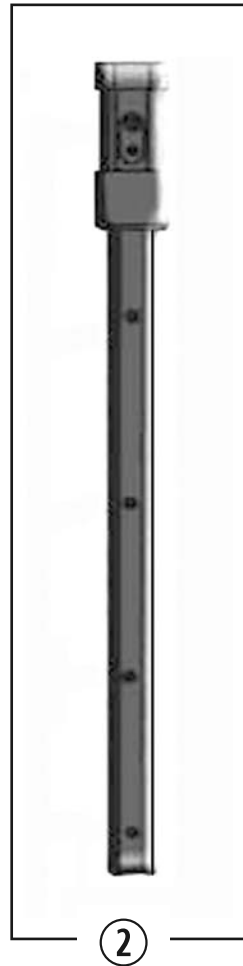


NOTE: If Auger Assembly or Auger Weldment is needed please order from Whole Goods Price List.

- 00789055 -"A"=18" "B"=9" Tree Auger w/ 8 Teeth
- 00789056 -"A"=24" "B"=12" Tree Auger w/ 8 Teeth
- 00789057 -"A"=36" "B"=18" Tree Auger w/ 12 Teeth

Ref. No.	Part No.	Description	Qty. Req'd.	Notes
1	N/A	Auger Weldment	1	SEE NOTE ABOVE
2	00777030	Tooth, Bolt On	A/R	As Required
3	20908	Carrige Bolt 5/8" x 1-1/2" Gr.5	A/R	As Required
4	15598BH	Locknut 5/8"	A/R	As Required
5	00777034	Pilot SB 35-SQ	1	
6	20264	Capscrew 3/4" x 4-1/2" Gr.5	1	
7	19517	Hex Nut 3/4"	1	
8	146	Lockwasher 3/4"	1	

## OPTIONS FOR PHDHF-2, PHDHF35

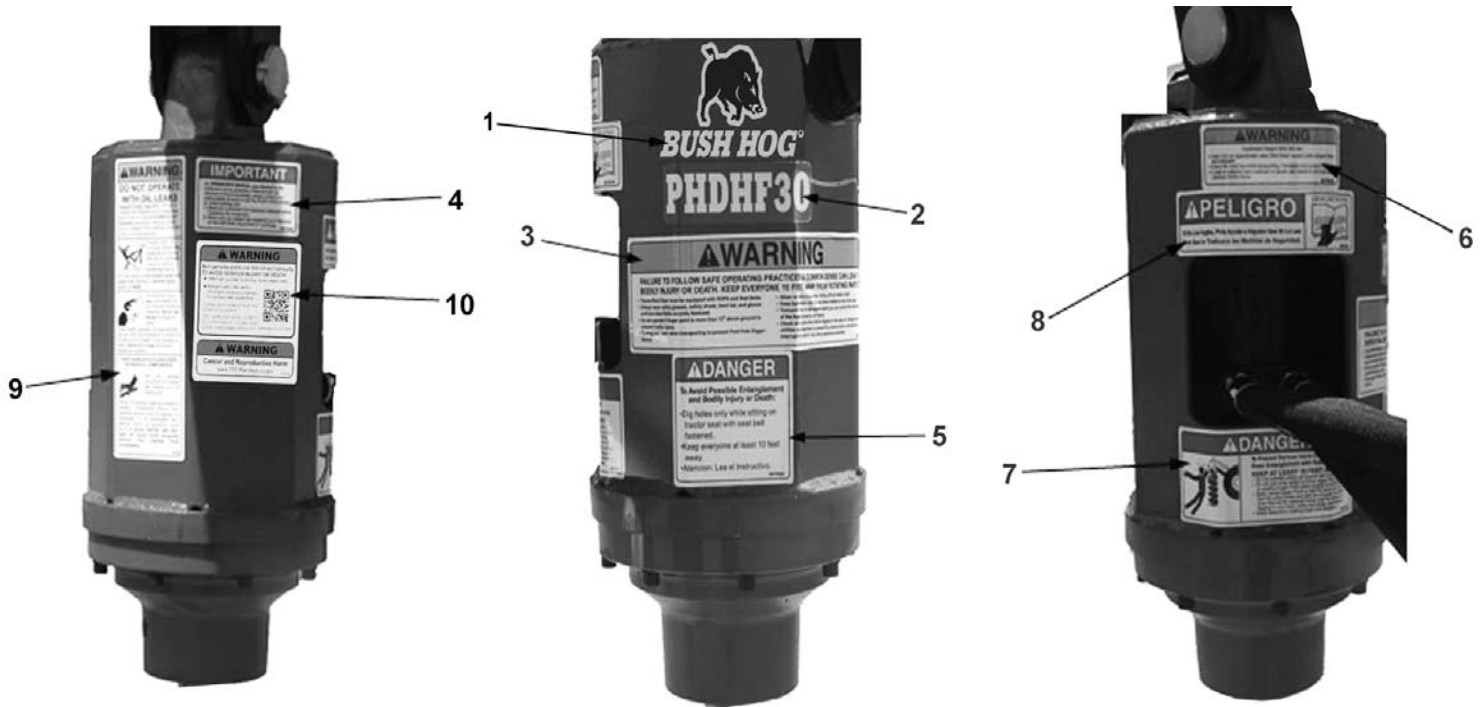


Ref. No.	Part No.	Description	Qty. Req'd.	Notes
1	00776654	Auger Extension 24" Variable	1	
2	00776655	Auger Extension 48" Variable	1	
3	00786085	Adapter 2" Round Female to 2" Hex Male	1	
4	00785968	Adapter 2" Hex Female to 2" Round Male	1	
5	00768105	Hose Kit (2-25" Hoses)	1	





## DECALS FOR PHDHF-2 & PHDHF35



Ref. No.	Part No.	Description	Qty. Req'd.	Notes
1	50074570	LOGO Bush Hog Decal	1	
2	50074538	MODEL NAME PHDHF15-2 Model Decal	1	
	50074539	MODEL NAME PHDHF20-2 Model Decal	1	
	50074540	MODEL NAME PHDHF30-2 Model Decal	1	
	50077008	MODEL NAME PHDHF35 Model Decal	1	
3	00776401	WARNING Multi-Hazard	1	
4	50074569	IMPORTANT Important Decal	1	
5	00776400	DANGER Dig Fron Tractor	1	
6	00778038	WARNING Implement Weight	1	
7	00767037	DANGER Entanglement	1	
8	00725746	PELIGRO Get Manual Translated	1	
9	52740	WARNING Oil Leak	1	
10	D859	Warning Use Genuine Bush Hog Parts	1	
11	50074547	Decal Sheet, PHDHF-2, PHDHF35	1	( Items 1 & 3-10)



**BUSH HOG®**

2501 GRIFFIN AVE. • SELMA, AL 36703  
[WWW.BUSHHOG.COM](http://WWW.BUSHHOG.COM)