

DSP8, DSP10, DSP12

BUSH HOG®

PULL DIRT SCRAPER

Revised 04/22

PARTS MANUAL

SECTION 32



An Operator's Manual was shipped with the equipment . The Operator's Manual is an integral part of the safe operation of this machine and must be maintained with the unit at all times. **READ, UNDERSTAND, and FOLLOW** the Safety and Operation Instructions contained in this manual before operating the equipment. If the Operator's Manual is not with the equipment, contact your dealer or Bush Hog to obtain a Free copy before operating the equipment.



BUSH HOG®

2501 Griffin Ave.

Selma, AL 36703

334-874-2700

www.bushhog.com

¡ATENCIÓN!

LEA EL INSTRUCTIVO



Si No Lee Ingles, Pida
Ayuda a Alguien
Que Se Lo Lea Para Que le
Traduzca Las
Medidas de Seguridad

©2014 Alamo Group Inc.



PARTS ORDERING GUIDE

The following instructions are offered to help eliminate needless delay and error in processing purchase orders for the equipment in this section.

1. The Parts Section is prepared in logical sequence and grouping of parts that belong to the basic machine featured in this manual. Part Numbers and Descriptions are given to help locate the parts and quantities required.
2. The Purchase Order must include the name and address of the person or organization ordering the parts, who should be charged, and if possible, the serial number of the machine for which the parts are ordered.
3. The Purchase Order must clearly list the quantity of each part, the complete and correct part number (be sure to include all periods), and the basic name of the part.
4. The Manufacturer reserves the right to substitute parts where applicable.
5. Some parts are unlisted items which are special production items not normally stocked and are subject to special handling. Request a quotation for such parts before sending a Purchase Order.
6. The Manufacturer reserves the right to change prices without prior notice.



For maximum safety and to guarantee optimum product reliability, always use genuine BUSH HOG Parts. The use of inferior replacement parts may cause premature or catastrophic failure which could result in serious injury or death. Direct any questions regarding parts to:

BUSH HOG
2501 Griffin Ave.
Selma, AL 36703
www.bushhog.com
Contact Us
800-304-2836



BUSH HOG®

LIMITED WARRANTY

Bush Hog warrants to the original purchaser of any new Bush Hog equipment, purchased from an authorized Bush Hog dealer, that the equipment be free from defects in material and workmanship for a period of one (1) year for non-commercial, state and municipalities' use and ninety (90) days for commercial use from date of retail sale. The obligation of Bush Hog to the purchaser under this warranty is limited to the repair or replacement of defective parts.

Replacement or repair parts installed in the equipment covered by this limited warranty are warranted for ninety (90) days from the date of purchase of such part or to the expiration of the applicable new equipment warranty period, whichever occurs later. Warranted parts shall be provided at no cost to the user at an authorized Bush Hog dealer during regular working hours. Bush Hog reserves the right to inspect any equipment or parts which are claimed to have been defective in material or workmanship.

DISCLAIMER OF IMPLIED WARRANTIES & CONSEQUENTIAL DAMAGES

Bush Hog's obligation under this limited warranty, to the extent allowed by law, is in lieu of all warranties, implied or expressed, **INCLUDING IMPLIED WARRANTIES OF MERCHANTABILITY AND FITNESS FOR A PARTICULAR PURPOSE** and any liability for incidental and consequential damages with respect to the sale or use of the items warranted. Such incidental and consequential damages shall include but not be limited to: transportation charges other than normal freight charges; cost of installation other than cost approved by Bush Hog; duty; taxes; charges for normal service or adjustment; loss of crops or any other loss of income; rental of substitute equipment, expenses due to loss, damage, detention or delay in the delivery of equipment or parts resulting from acts beyond the control of Bush Hog.

THIS LIMITED WARRANTY SHALL NOT APPLY:

1. To vendor items which carry their own warranties, such as engines, tires, and tubes.
2. If the unit has been subjected to misapplication, abuse, misuse, negligence, fire or other accident.
3. If parts not made or supplied by Bush Hog have been used in connection with the unit, if, in the sole judgement of Bush Hog such use affects its performance, stability or reliability.
4. If the unit has been altered or repaired outside of an authorized Bush Hog dealership in a manner which, in the sole judgement of Bush Hog, affects its performance, stability or reliability.
5. To normal maintenance service and normal replacement items such as gearbox lubricant, hydraulic fluid, worn blades, or to normal deterioration of such things as belts and exterior finish due to use or exposure.
6. To expendable or wear items such as teeth, chains, sprockets, belts, springs and any other items that in the company's sole judgement is a wear item.

NO EMPLOYEE OR REPRESENTATIVE OF BUSH HOG IS AUTHORIZED TO CHANGE THIS LIMITED WARRANTY IN ANY WAY OR GRANT ANY OTHER WARRANTY UNLESS SUCH CHANGE IS MADE IN WRITING AND SIGNED BY BUSH HOG'S SERVICE MANAGER, 2501 GRIFFIN AVE., SELMA, ALABAMA 36703.

Record the model number, serial number and date purchased. This information will be helpful to your dealer if parts or service are required.

MODEL NUMBER _____

SERIAL NUMBER _____

DATE OF RETAIL SALE _____

MAKE CERTAIN THE WARRANTY
HAS BEEN FILED WITH BUSH HOG
SELMA, ALABAMA

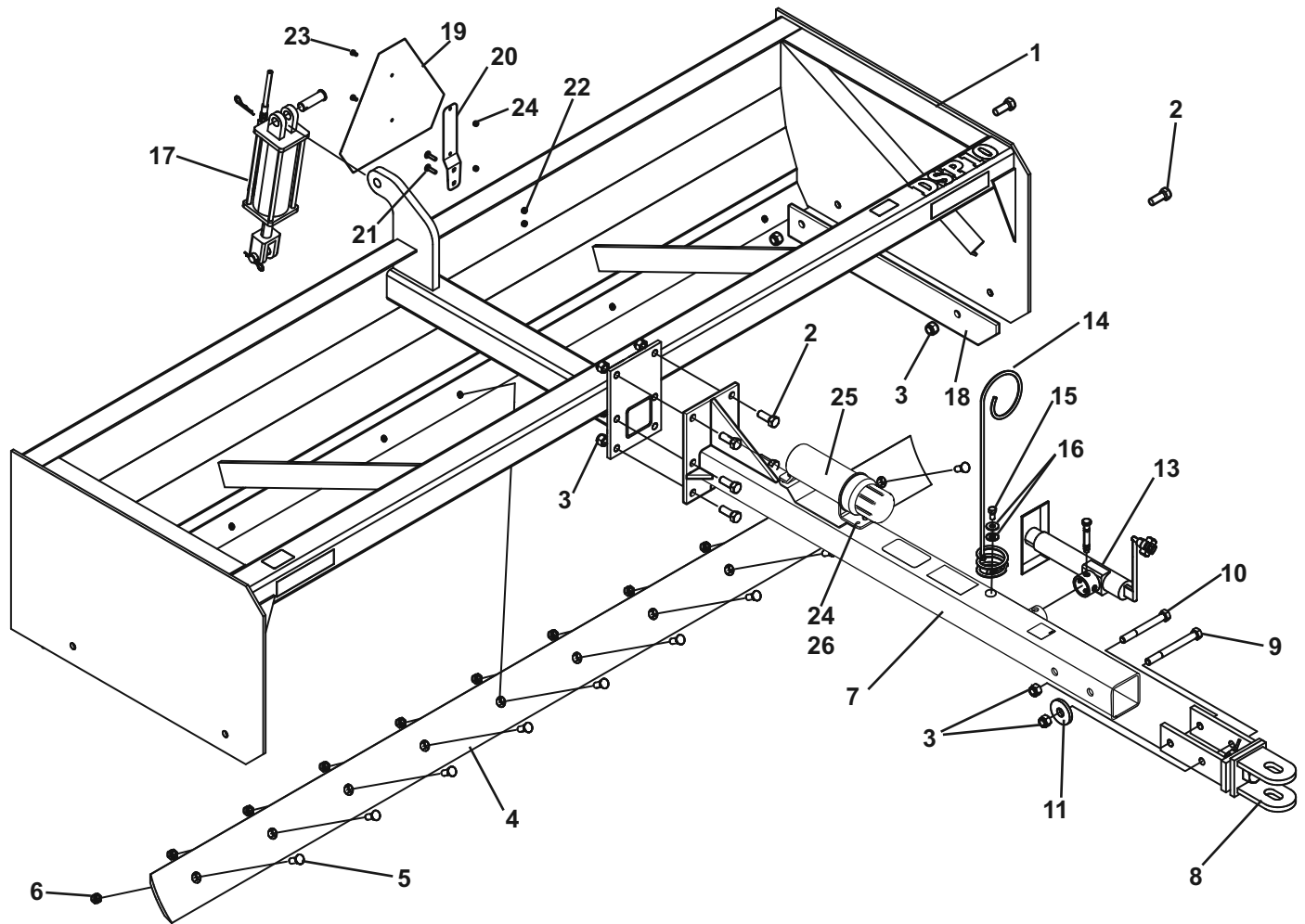
TABLE OF CONTENTS

PULL DIRT SCRAPERS

DSP8, DSP10, DSP12

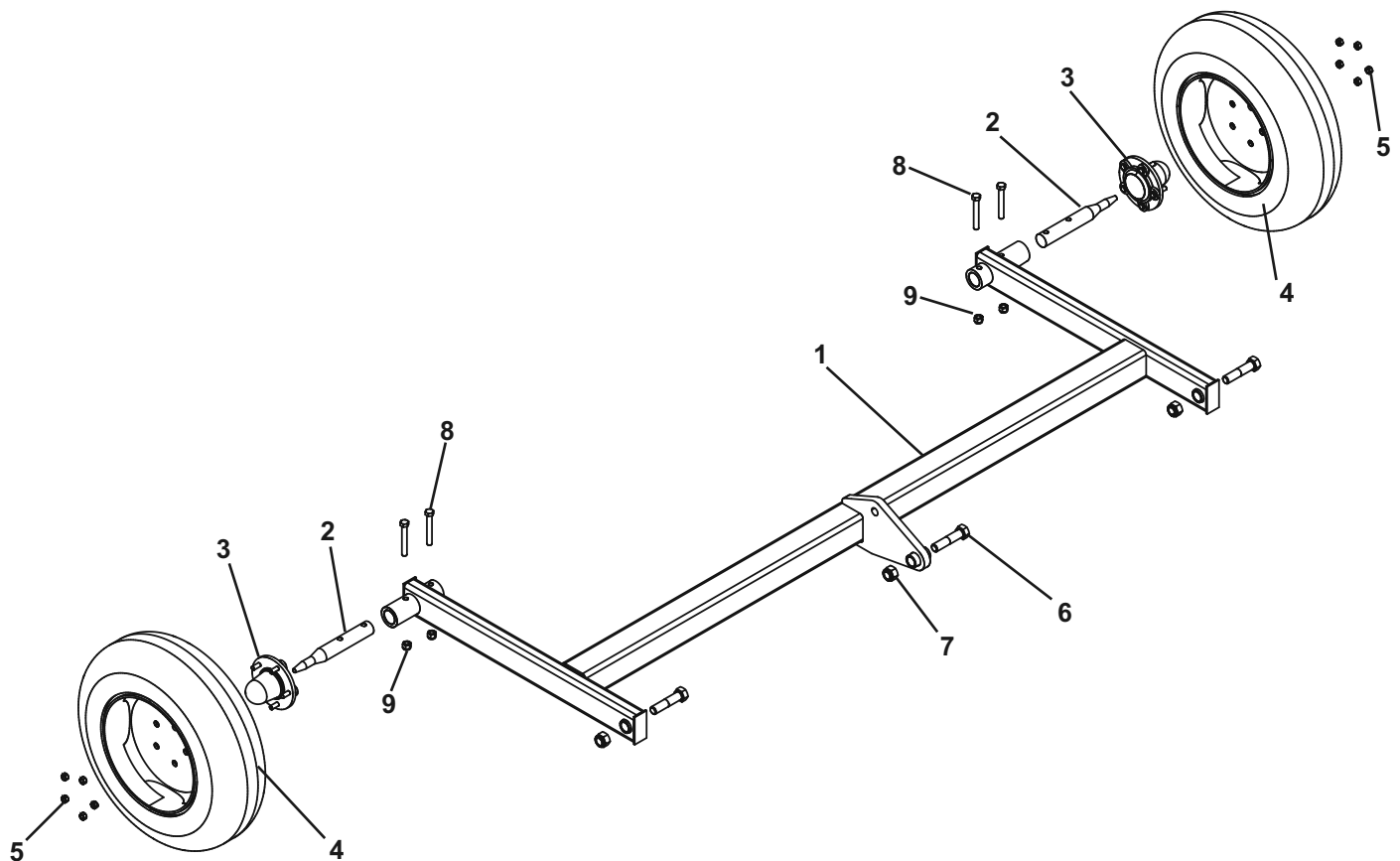
COMPONENT	PAGE
Box & Related Parts	32-1-1
Fixed Gauge Wheel Bundle	32-1-2
Fixed Axle Bundle	32-1-3
Hydraulic Tilt Bundle, DSP8.....	32-1-5
Hydraulic Tilt Bundle, DSP10/DSP12	32-1-4
Tilt Axle Bundle	32-1-6
Hydraulic Cylinder Tilt Kit.....	32-2-1
Hydraulic Cylinder Up/Down Kit.....	32-2-2
Hydraulic Cylinder	32-2-3
Side Wear Plate Kit.....	32-3-1
Weight Box (No Weights Included)	32-3-2
Weight Box Assembly	32-3-3
Decals - Placement.....	32-4-1

8', 10' & 12' PULL DIRT SCRAPER DSP8, DSP10 & DSP12 50074752, 50072305 & 50072306



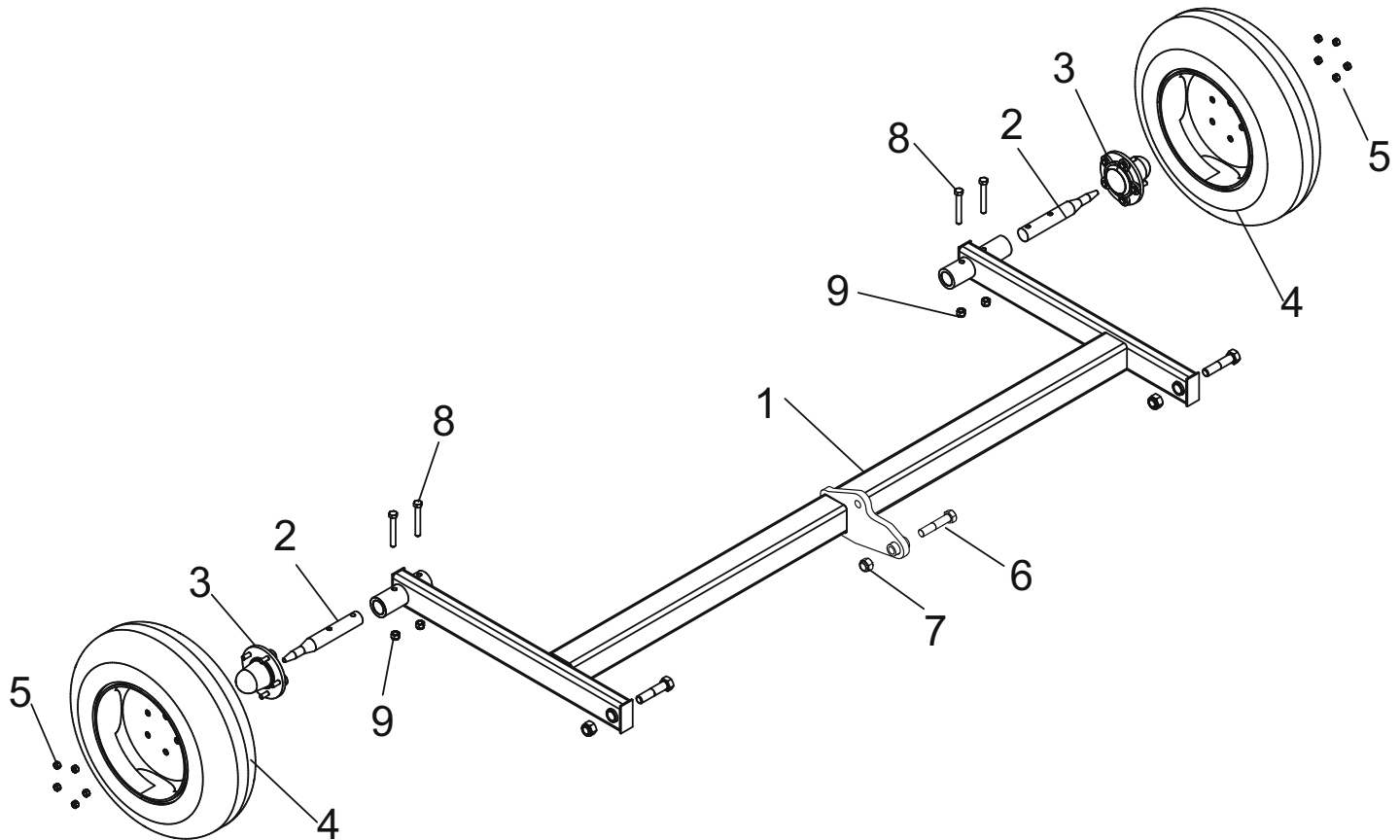
Ref. No.	Part No.	Description	Qty.	Ref. No.	Part No.	Description	Qty.
1	-----	Box Weldment, PB96 (8' Dirt Scraper)	1	10	19027	Capscrew, 3/4" x 6-1/2"	1
	-----	Box Weldment, PB120 (10' Dirt Scraper)	1	11	50072281	Washer, Safety Chain	1
	-----	Box Weldment, PB144 (12' Dirt Scraper)	1	12	91091	Chain, Safety - 55" (Not Shown)	1
2	20202	Capscrew, 3/4" x 2"	10	13	50072285	Jack, 10" Tubular	1
3	45321BH	Locknut, 3/4" Nylock	12	14	50072284	Spring, Hose	1
4	99332	Cutting Edge, 1/2" x 6" x 95-3/4" (8' Scraper)	1	15	20054	Capscrew, 1/2" x 1"	1
	50072331	Cutting Edge, 1/2" x 6" x 119-3/4" (10' Scraper)	1	16	-----	Washer, 1/2" SAE	2
	50072352	Cutting Edge, 1/2" x 6" x 143-3/4" (12' Scraper)	1	17	-----	Kit, Hydraulic Cylinder Up/Down	1
5	15212BH	Plow Bolt, 5/8" x 1-3/4" (8' Scraper)	8	18	50072344	Bolt-On Side Wear Plate	2
	15212BH	Plow Bolt, 5/8" x 1-3/4" (10' Scraper)	10	19	94359	SMV Sign	1
	15212BH	Plow Bolt, 5/8" x 1-3/4" (12' Scraper)	12	20	2438621	Spade Bracket, SMV Mounting	1
6	44336BH	Hex Nut, 5/8" (8' Scraper)	8	21	5161012	Carriage Bolt, 5/16" x 1-1/4" Gr 5	2
	44336BH	Hex Nut, 5/8" (10' Scraper)	10	22	44553	Hex Nut, 5/16" Nylock	2
	44336BH	Hex Nut, 5/8" (12' Scraper)	12	23	-----	Capscrew, 1/4" x 1/2" Gr 5	2
7	50074756	Tongue Weldment w/Decals	1	24	44566BH	Hex Nut, 1/4" Nylock	4
8	50072334	Hitch Assembly	1	25	50035829	Owners Manual Tube	1
9	20766	Capscrew, 3/4" x 7-1/2"	1	26	1160806	HHCS 1/4" x 3/4" G5 ZP	2

FIXED GAUGE WHEEL BUNDLE 50072337 REPLACED BY 50082248



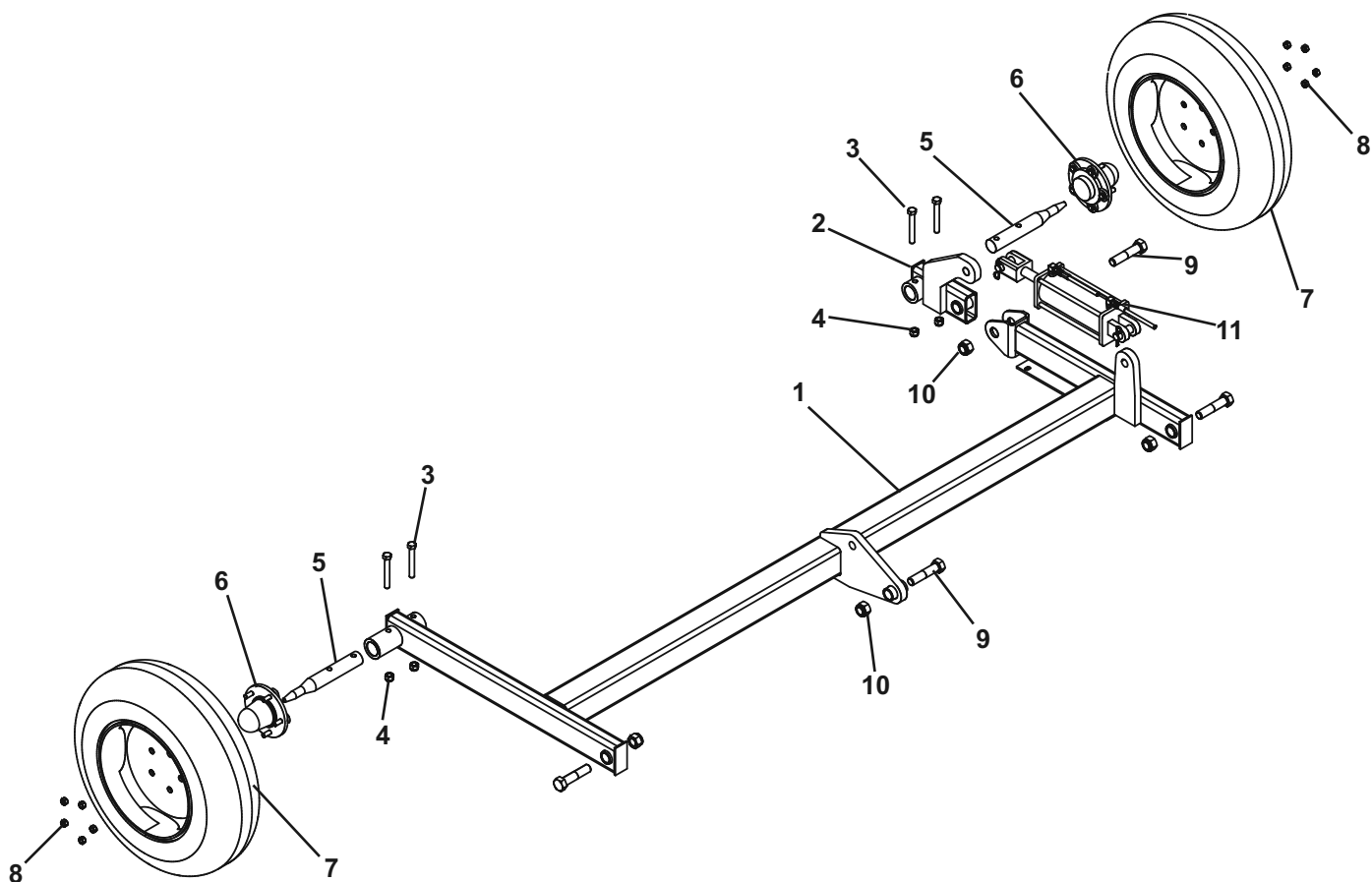
Ref. No.	Part No.	Description	Qty.
1	50072341	Gauge Wheel Weldment (No Tilt)	1
2	50072289	Spindle, Axle	2
3	50072288	Hub Complete	2
4	50072290	Wheel/Tire Complete	2
5	50072291	Nut, 1/2" Lug, 60°	10
6	19061	Capscrew, 1" x 5" G5 ZP	3
7	50072278	Locknut, 1" Nylock	3
8	1161632	Capscrew, 1/2" x 3-1/4"	4
9	-----	Locknut, 1/2" Nylock	4

**FIXED AXLE BUNDLE
50082248
REPLACES 50072337**



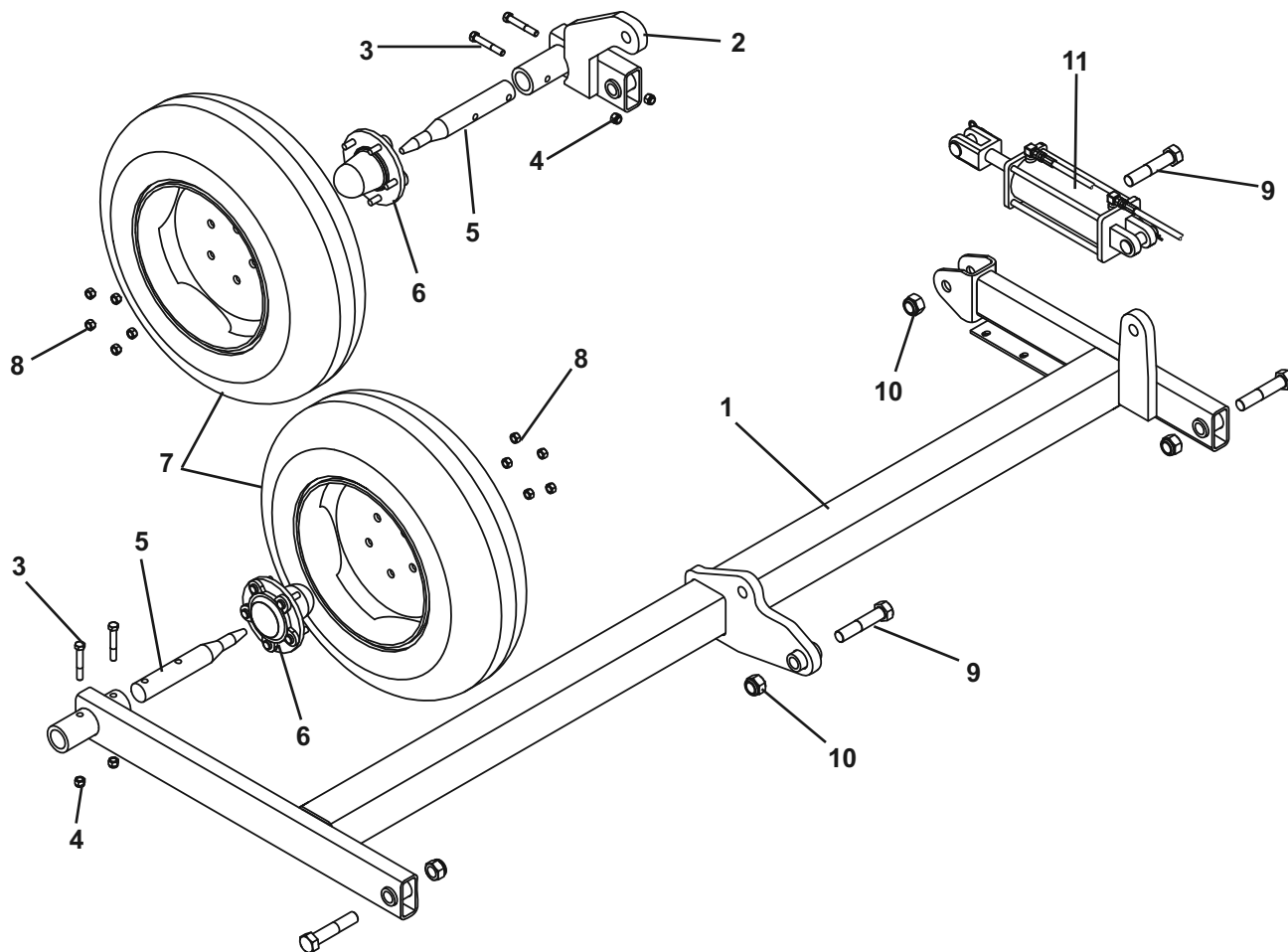
Ref. No.	Part No.	Description	Qty.
1	50082328	Fixed Axle Weldment	1
2	50072289	Spindle, Axle	2
3	50072288	Hub Complete	2
4	50072290	Wheel/Tire Complete	2
5	50072291	Nut, 1/2" Lug, 60°	10
6	19061	Capscrew, 1" x 5" G5 ZP	3
7	50072278	Locknut, 1" Nylock	3
8	1161632	Capscrew, 1/2" x 3-1/4"	4
9	-----	Locknut, 1/2" Nylock	4

**HYDRAULIC TILT BUNDLE
50072336 (DSP10/DSP12)
REPLACED BY 50082247**



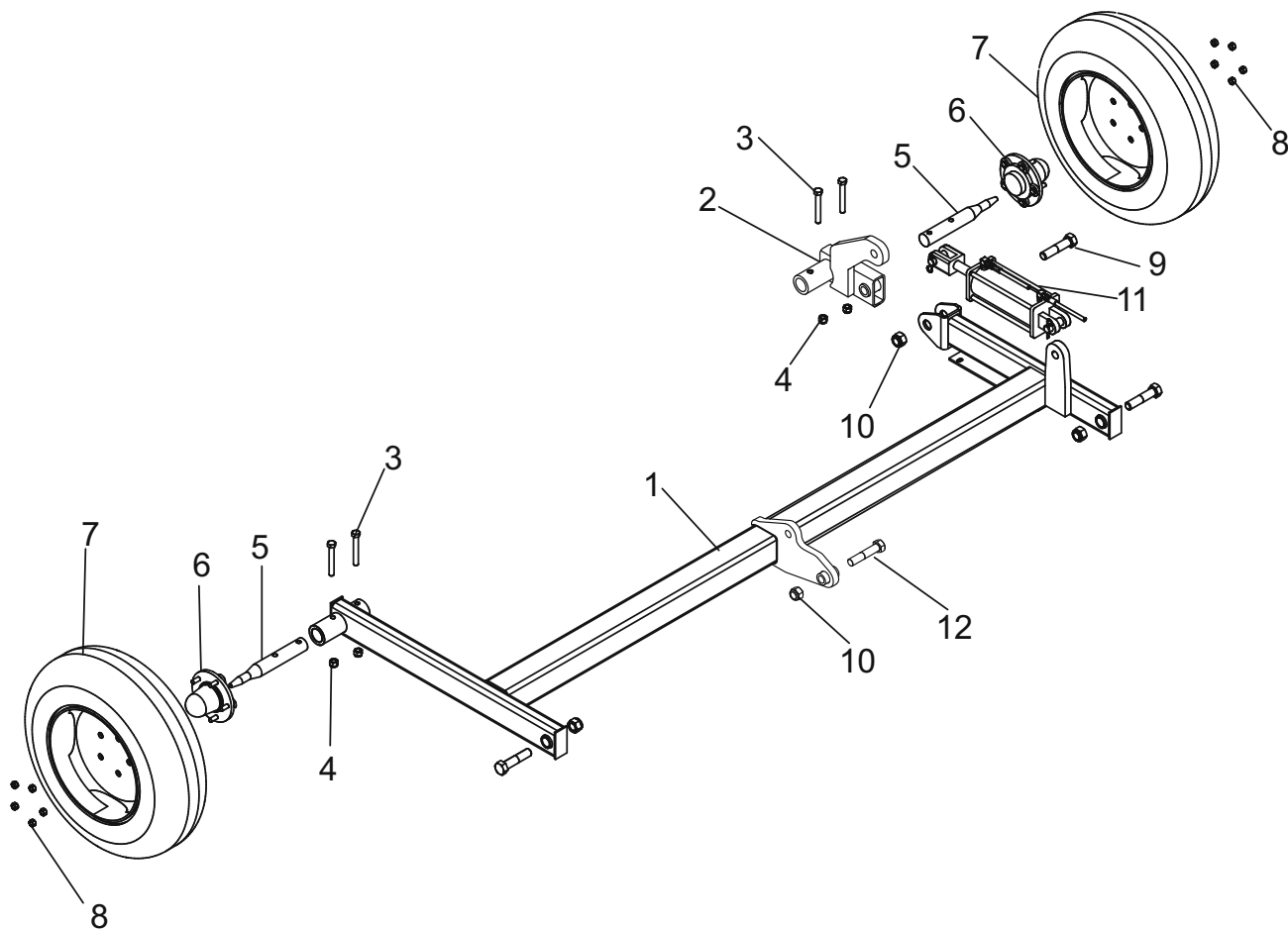
Ref. No.	Part No.	Description	Qty.
1	50072340	Gauge Wheel Weldment (Tilt)	1
2	50072339	Gauge Wheel Adjuster Weldment	1
3	1161632	Capscrew, 1/2" x 3-1/4"	4
4	-----	Locknut, 1/2" Nylock	4
5	50072289	Spindle, Axle	2
6	50072288	Hub Complete	2
7	50072290	Wheel/Tire Complete	2
8	50072291	Nut, 1/2" Lug, 60°	10
9	20547BH	Capscrew, 1" x 4-1/2"	4
10	50072278	Locknut, 1" Nylock	4
11	50072345	Kit, Hydraulic Cylinder Tilt	1

HYDRAULIC TILT BUNDLE 50074713 (DSP8) REPLACED BY 50082247



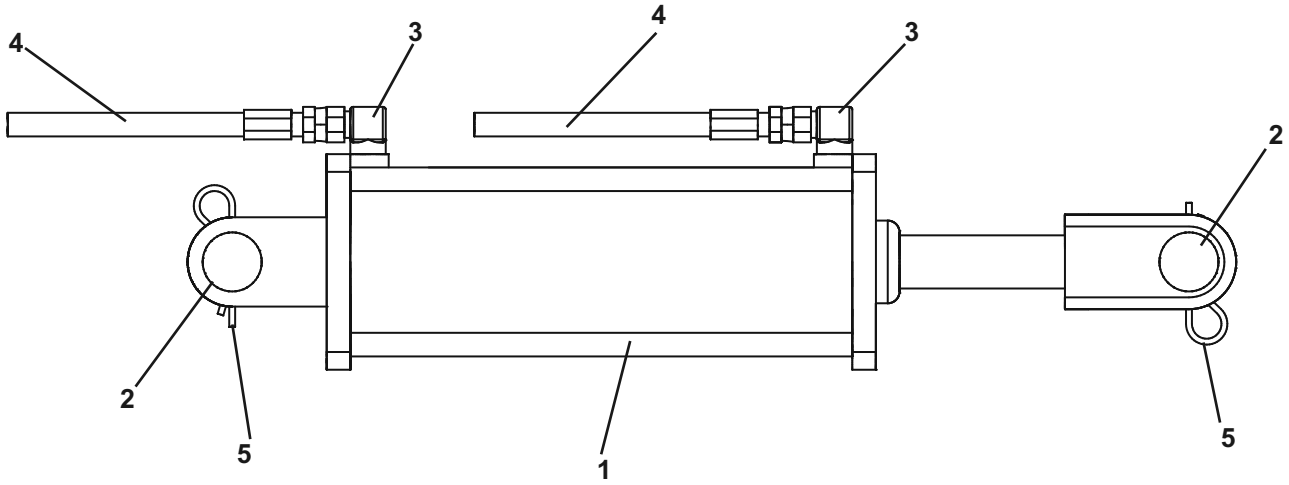
Ref. No.	Part No.	Description	Qty.
1	50072340	Gauge Wheel Weldment (Tilt)	1
2	50074338	Gauge Wheel Adjuster Weldment	1
3	1161632	Capscrew, 1/2" x 3-1/4"	4
4	-----	Locknut, 1/2" Nylock	4
5	50072289	Spindle, Axle	2
6	50072288	Hub Complete	2
7	50072290	Wheel/Tire Complete	2
8	50072291	Nut, 1/2" Lug, 60°	10
9	19061	Capscrew, 1" x 5"	4
10	50072278	Locknut, 1" Nylock	4
11	50072345	Kit, Hydraulic Cylinder Tilt	1

TILT AXLE BUNDLE
50082247
REPLACES 50072336 & 50074713



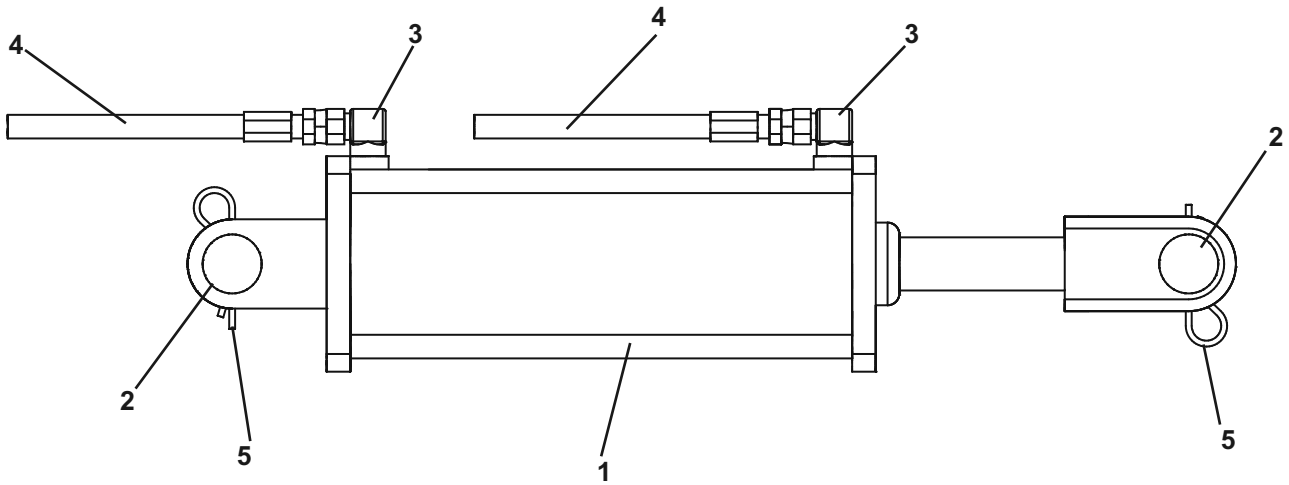
Ref. No.	Part No.	Description	Qty.
1	50082327	Tilt Axle Weldment	1
2	50082329	Tilt Weldment	1
3	1161632	Capscrew, 1/2" x 3-1/4"	4
4	-----	Locknut, 1/2" Nylock	4
5	50072289	Spindle, Axle	2
6	50072288	Hub Complete	2
7	50072290	Wheel/Tire Complete	2
8	50072291	Nut, 1/2" Lug, 60°	10
9	20547BH	Capscrew, 1" x 4-1/2"	1
10	50072278	Locknut, 1" Nylock	4
11	50072345	Kit, Hydraulic Cylinder Tilt	1
12	19061	Hex Head Capscrew 1 x 5 G5 ZP	3

HYDRAULIC CYLINDER TILT KIT 50072345



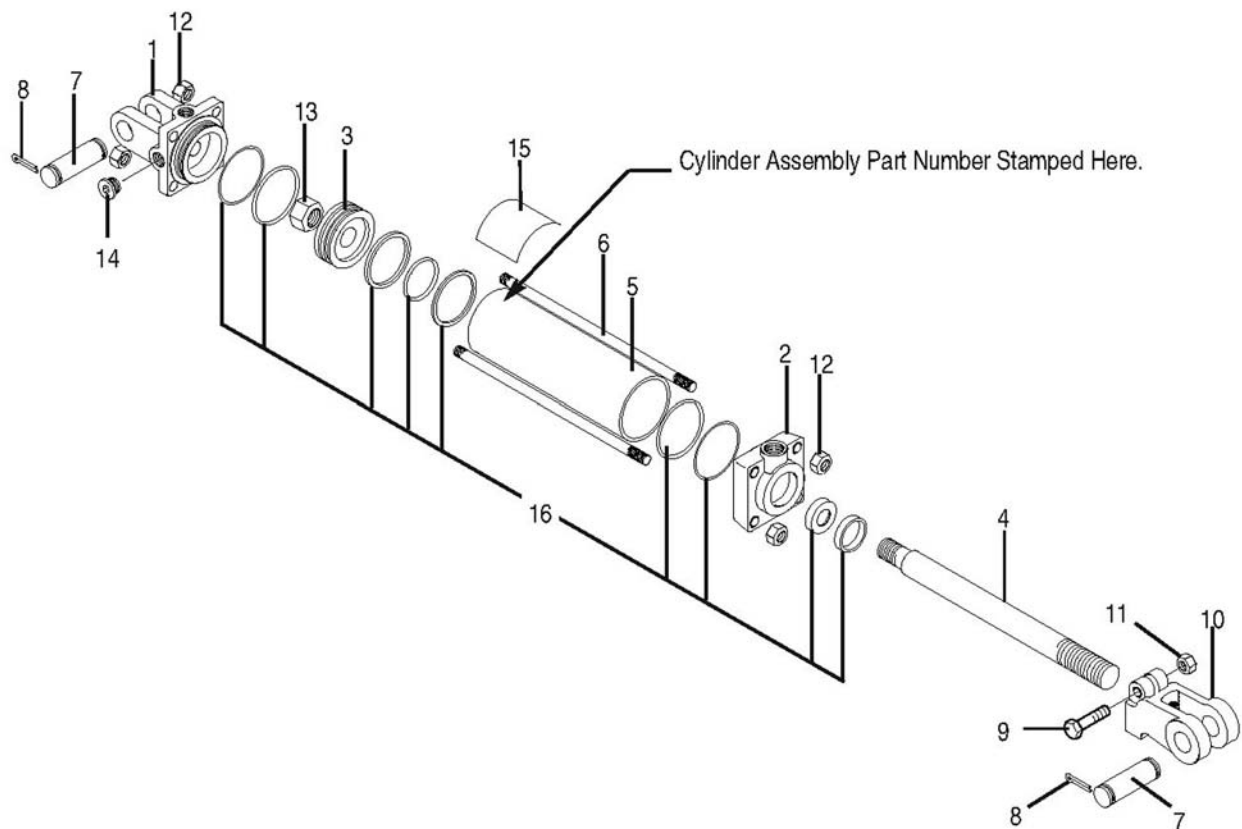
Ref. No.	Part No.	Description	Qty.
	50072345	Hydraulic Cylinder Tilt Kit	1
1	50047475	Cylinder, 3-1/2" x 8" ASAE	1
2	99334	Pin, 1" x 3-1/2" Cylinder	2
3	14-40-98	Fitting, 90°	2
4	50072347	Hose Assembly, 1/4" x 200"	2
5	50005860	Pin, Hair .148" x 3"	2

HYDRAULIC CYLINDER UP/DOWN KIT 50072346



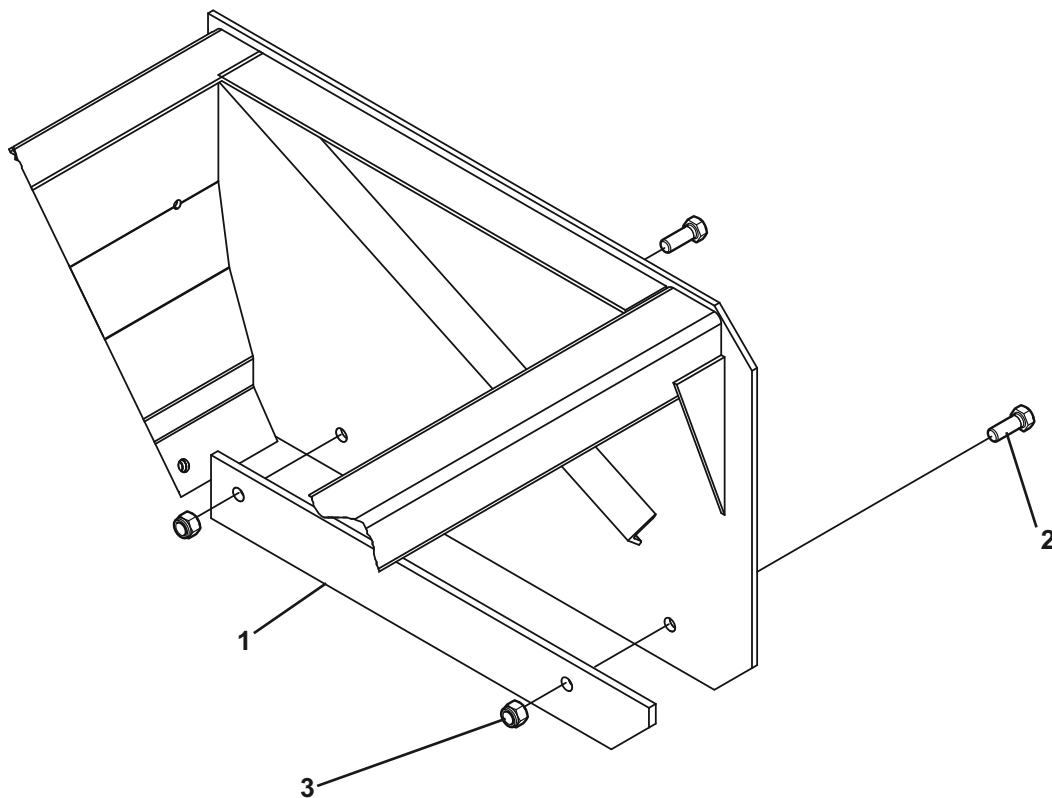
Ref. No.	Part No.	Description	Qty.	
	50072346	Hydraulic Cylinder Up/Down Kit	1	
1	50047475	Cylinder, 3-1/2" x 8" ASAE	1	
2	99334	Pin, 1" x 3-1/2" Cylinder	2	
3	14-40-98	Fitting, 90°	2	
4	50072349	Hose Assembly, 1/4" x 150"	2	
5	50005860	Pin, Hair .148" x 3"	2	
6	50074300	.25" x 2.25" Lock Pin	2	(item not shown)
7	50082331	Cylinder Lock Assembly	1	(item not shown)
8	50082332	Male Adapter Hydraulic fitting .240	2	(item not shown)

HYDRAULIC CYLINDER 50047475



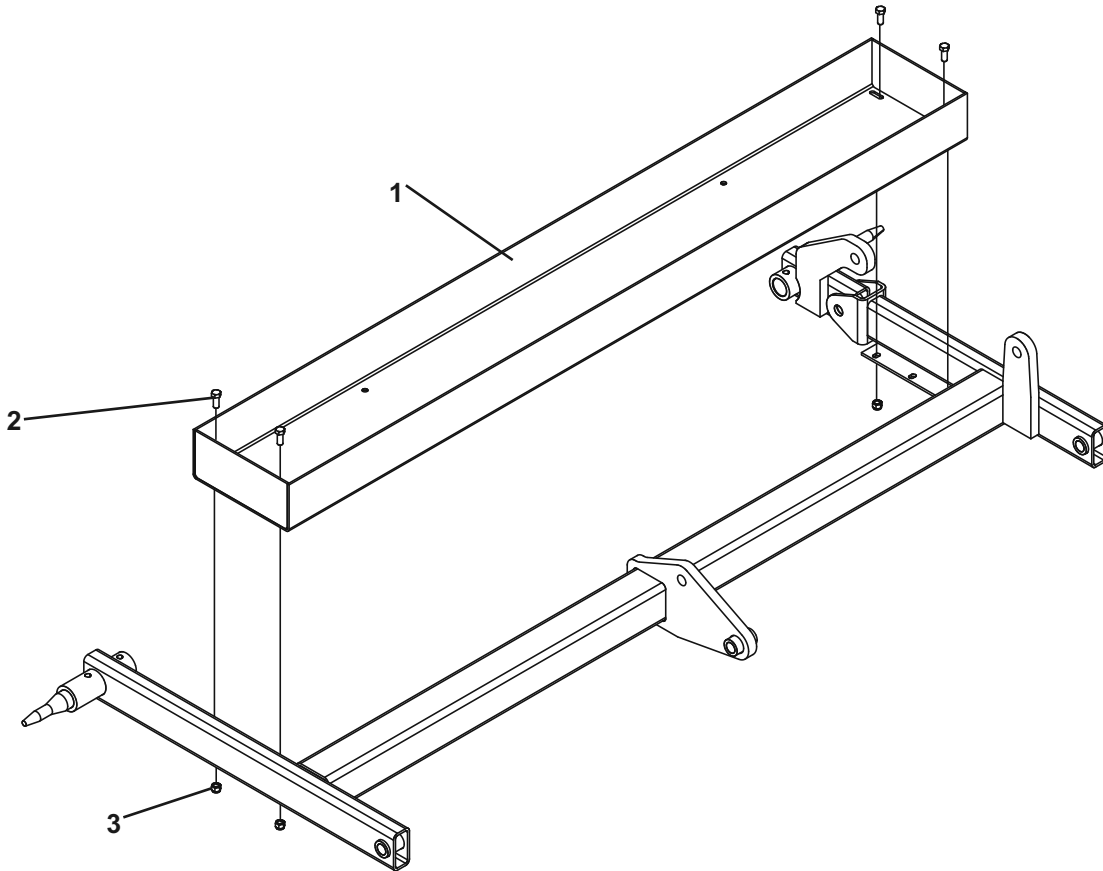
Ref No.	Part No.	Description	Qty.
	50047475	Hydraulic Cylinder Assy	1
1	—	Clevis Cap	1
2	—	Rod Cap	1
3	—	Piston	1
4	—	Rod 1.25" Dia.	1
5	—	Cylinder Tube	1
6	—	Tie Rod	4
7	—	Pin 1" Dia.	2
8	—	Cotter Pin 3/16" x 1 1/2"	4
9	—	Rod Clevis Bolt	1
10	—	Rod Clevis 1.25" x 1"	1
11	—	Rod Clevis Nut	1
12	—	Hex Nut 5/8" UNF	8
13	—	Hex Nut 1"-14	1
14	—	Plug 3/4"	1
15	—	Caution Decal	1
16	50017623	Seal Kit for 3.5" Bore	1

SIDE WEAR PLATE KIT 50072343



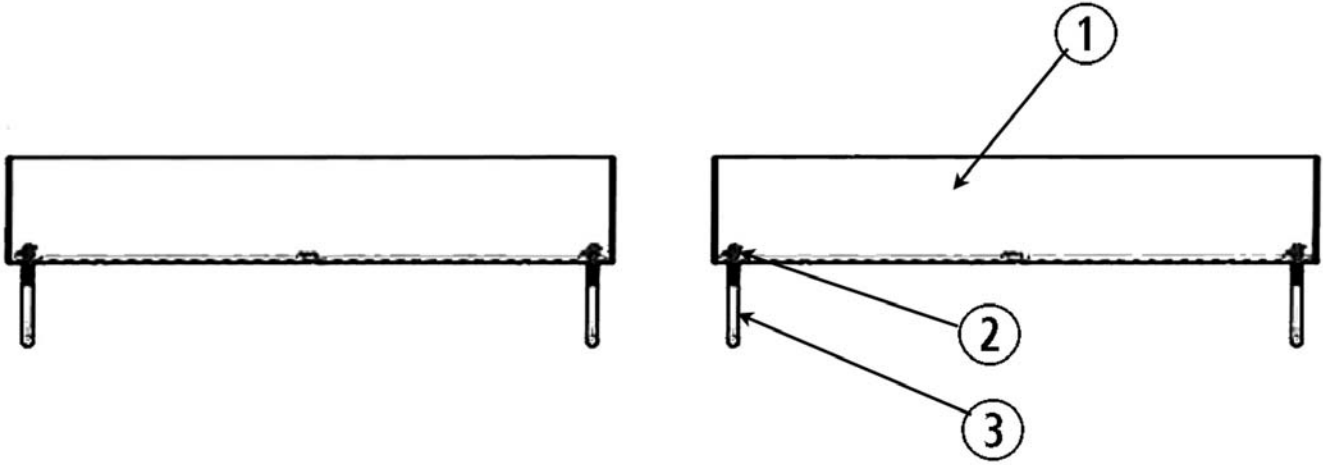
Ref. No.	Part No.	Description	Qty.
	50072343	Kit, Side Wear Plate	1
1	50072344	Plate, Side Wear - Bolt On	2
2	20202	Capscrew, 3/4" x 2"	4
3	45321BH	Locknut, 3/4" Nylock	4

**WEIGHT BOX
(NO WEIGHTS INCLUDED)
50074757 - DSP8 - REPLACED BY 50082249
50072350 - DSP10/DSP12 - REPLACED BY 50082249**



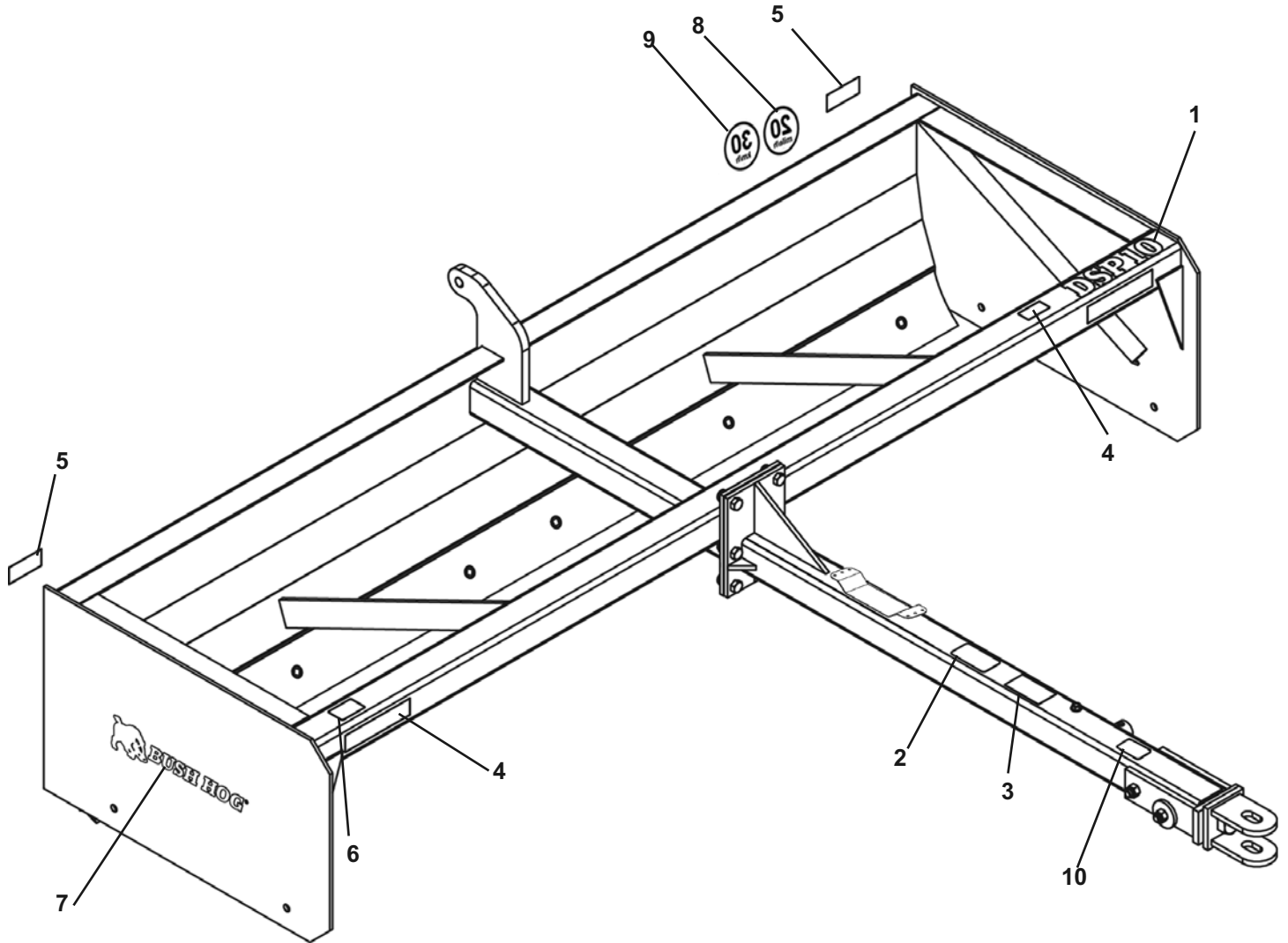
Ref. No.	Part No.	Description	Qty.
1	-----	Weight Box Weldment	1
2	44094BH	Capscrew, 1/2" x 1-1/4" G5 ZP	4
3	-----	Locknut, 1/2" Nylock	4

WEIGHT BOX ASSEMBLY
50082249
REPLACES 50074757 & 50072350



Ref. No.	Part No.	Description	Qty.
1	-----	Weight Box Single	2
2	10152000	.625 Jam Nut	8
3	50082330	U-Bolt .625 x 4.125 x5.25	4

DECALS - PLACEMENT DSP8, DSP10 & DSP12



Ref. No.	Part No.	Description	Qty.
1	50074753	Decal, Model DSP8	1
	50072051	Decal, Model DSP10	1
	50072044	Decal, Model DSP12	1
2	50057097	Decal, Caution	1
3	90960BH	Decal, Warning	1
4	50031212	Reflector, Amber, 2" x 9"	2
5	50031214	Reflector, Red, 2" x 9"	2
6	00725746	Decal, Peligro	1
7	50083389	Decal, Bush Hog	2
8	50082007	Decal, SIS (20 mile/h)	1
9	50082010	Decal, SIS (30 km/h)	1
10	D1085	Decal, Notice Towing Speed	1



BUSH HOG®

2501 GRIFFIN AVE. • SELMA, AL 36703
WWW.BUSHHOG.COM