

BUSH HOG®

LANDSCAPE RAKE

MODELS
LR, LLR, MLR, LRC, CLR

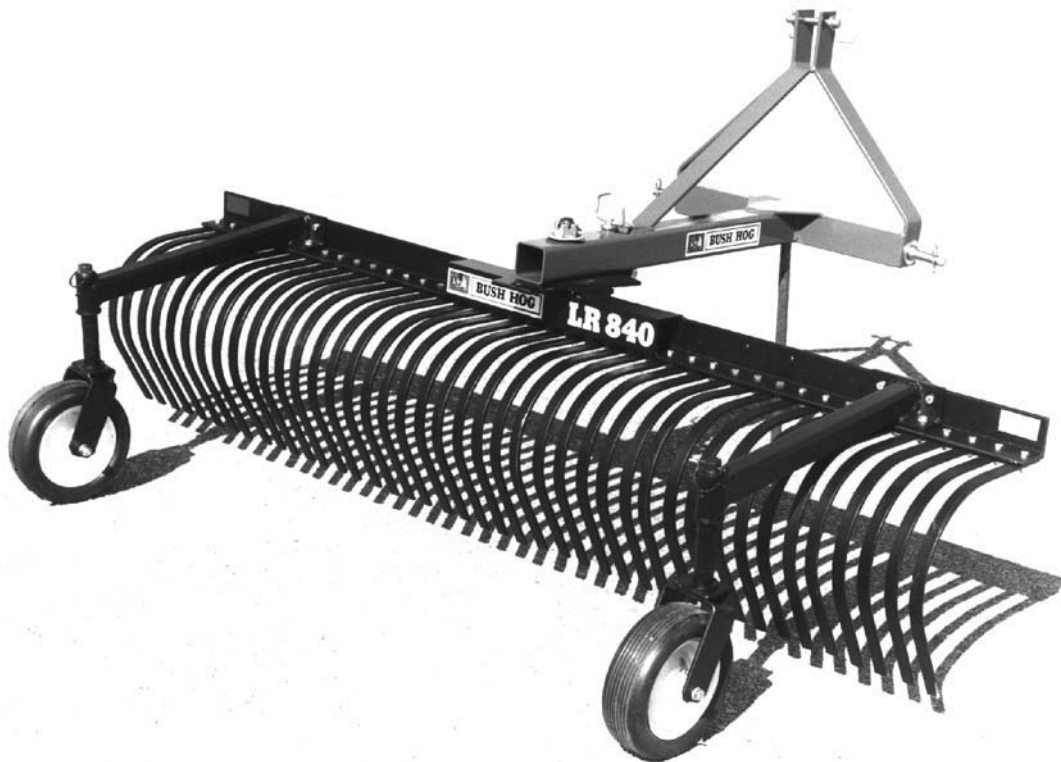
Revised: 05/22

MATERIAL HANDLING PARTS MANUAL

PARTS MANUAL SECTION 12



An Operator's Manual was shipped with the equipment . The Operator's Manual is an integral part of the safe operation of this machine and must be maintained with the unit at all times. **READ, UNDERSTAND, and FOLLOW** the Safety and Operation Instructions contained in this manual before operating the equipment. If the Operator's Manual is not with the equipment, contact your dealer or Bush Hog to obtain a Free copy before operating the equipment.



BUSH HOG®

2501 Griffin Ave.
Selma, AL 36703
Parts Ordering 1-800-304-2836
www.bushhog.com

ATENCIÓN!

LEA EL INSTRUCTIVO

Si No Lee Ingles, Pida Ayuda a Alguien
Que Si Lo Lea Para Que le Traduzca las
Medidas de Seguridad.



A MEMBER OF THE
ALAMO GROUP
ALWAYS ON THE CUTTING EDGE®

© 2013 Alamo Group Inc.

PARTS ORDERING GUIDE

The following instructions are offered to help eliminate needless delay and error in processing purchase orders for the equipment in this section.

1. The Parts Section is prepared in logical sequence and grouping of parts that belong to the basic machine featured in this manual. Part Numbers and Descriptions are given to help locate the parts and quantities required.
2. The Purchase Order must include the name and address of the person or organization ordering the parts, who should be charged, and if possible, the serial number of the machine for which the parts are ordered.
3. The Purchase Order must clearly list the quantity of each part, the complete and correct part number (be sure to include all periods), and the basic name of the part.
4. The Manufacturer reserves the right to substitute parts where applicable.
5. Some parts are unlisted items which are special production items not normally stocked and are subject to special handling. Request a quotation for such parts before sending a Purchase Order.
6. The Manufacturer reserves the right to change prices without prior notice.



For maximum safety and to guarantee optimum product reliability, always use genuine BUSH HOG Parts. The use of inferior replacement parts may cause premature or catastrophic failure which could result in serious injury or death. Direct any questions regarding parts to:

BUSH HOG
2501 Griffin Ave.
Selma, AL 36703
www.bushhog.com
Contact Us
800-304-2836



BUSH HOG®

To the Owner/Operator/Dealer

All implements with moving parts are potentially hazardous. There is no substitute for a cautious, safe-minded operator who recognizes the potential hazards and follows reasonable safety practices. The manufacturer has designed this implement to be used with all its safety equipment properly attached to minimize the chance of accidents.

BEFORE YOU START! Read the safety messages on the implement and shown in your manual. Observe the rules of safety and common sense!



DANGER

FAILING TO FOLLOW SAFETY MESSAGES AND OPERATING INSTRUCTION CAN CAUSE SERIOUS BODILY INJURY OR EVEN DEATH TO OPERATOR AND OTHERS IN THE AREA.

<p>1.</p> 	<p>2. NO RIDERS. NO CHILDREN OPERATORS</p> 	<p>3. USE SAFETY SHOES, HARD HAT, SAFETY GLASSES, SEAT BELTS, ROPS & OPS.</p> 	<p>4. BLOCK UP SECURELY BEFORE WORKING UNDER.</p> 
---	--	--	---

1. Study and understand Operator's Manuals, Safety Decals, and Instructional Decals for tractor and implement to prevent misuse, abuse, and accidents. Practice before operating in a confined area or near passersby.
 - Learn how to stop engine suddenly in an emergency. Be alert for passersby and especially children.
2. Allow no children on or near folding mower or tractor. Allow no riders on tractor or implement. Falling off may cause serious injury or death from being run over by tractor or mower or contact with rotating blades.
3. Operate only with tractor having Roll-Over Protective Structure (ROPS) and with seat belt securely fastened to prevent injury and possible death from falling off or tractor overturn.
 - Personal Protective Equipment such as Hard Hat, Safety Glasses, Safety Shoes, & Ear Plugs are recommended.
4. Block up or support raised machine and all lifted components securely before putting hands or feet under or working underneath any lifted component to prevent crushing injury or death from sudden dropping or inadvertent operation of controls. Make certain area is clear before lowering or folding.
5. Before transporting, put Lift Lever in detent or full-lift position. Install Transport Safety Devices securely on folding mowers. Put Booms securely in Transport Rest.
 - Folding and Boom Mowers have raised center of gravity. Slow down when turning and on hillsides.
6. Make certain that SMV sign, warning lights, and reflectors are clearly visible. Follow local traffic codes.
7. Never operate with Cutting Head or Folding Section raised if passersby, bystanders, or traffic are in the area to reduce possibility of injury or death from objects thrown by Blades under Guards or mower structure.
8. Before dismounting, secure implement in transport position or lower to ground.
 - Put tractor in park position or set brake, disengage PTO, stop engine, remove key, and wait until noise of rotation has ceased to prevent crushing by entanglement in rotating parts which could cause injury or death.
 - Never mount or dismount a moving vehicle. Crushing from runover may cause serious injury or death.

<p>5. TRANSPORT SAFELY, LOCK UP.</p> 	<p>6. USE SMV, LIGHTS, & REFLECTORS.</p> 	<p>7. DO NOT OPERATE WITH CUTTER OR WING RAISED</p> 	<p>8. DO NOT MOUNT OR DISMOUNT WHILE MOVING.</p> 
--	--	--	--

02967827

WARRANTY INFORMATION:

Read and understand the complete Warranty Statement found in this Manual. Fill out the Warranty Registration Form in full and return it to within 30 Days. Make certain the Serial Number of the Machine is recorded on the Warranty Card and on the Warranty Form that you retain.

LIMITED WARRANTY



Bush Hog warrants to the original purchaser of any new Bush Hog equipment, purchased from an authorized Bush Hog dealer, that the equipment be free from defects in material and workmanship for a period of one (1) year for non-commercial, state and municipalities' use and ninety (90) days for commercial use from date of retail sale. The obligation of Bush Hog to the purchaser under this warranty is limited to the repair or replacement of defective parts.

Replacement or repair parts installed in the equipment covered by this limited warranty are warranted for ninety (90) days from the date of purchase of such part or to the expiration of the applicable new equipment warranty period, whichever occurs later. Warranted parts shall be provided at no cost to the user at an authorized Bush Hog dealer during regular working hours. Bush Hog reserves the right to inspect any equipment or parts which are claimed to have been defective in material or workmanship.

DISCLAIMER OF IMPLIED WARRANTIES & CONSEQUENTIAL DAMAGES

Bush Hog's obligation under this limited warranty, to the extent allowed by law, is in lieu of all warranties, implied or expressed, **INCLUDING IMPLIED WARRANTIES OF MERCHANTABILITY AND FITNESS FOR A PARTICULAR PURPOSE** and any liability for incidental and consequential damages with respect to the sale or use of the items warranted. Such incidental and consequential damages shall include but not be limited to: transportation charges other than normal freight charges; cost of installation other than cost approved by Bush Hog; duty; taxes; charges for normal service or adjustment; loss of crops or any other loss of income; rental of substitute equipment, expenses due to loss, damage, detention or delay in the delivery of equipment or parts resulting from acts beyond the control of Bush Hog.

THIS LIMITED WARRANTY SHALL NOT APPLY:

1. To vendor items which carry their own warranties, such as engines, tires, and tubes.
2. If the unit has been subjected to misapplication, abuse, misuse, negligence, fire or other accident.
3. If parts not made or supplied by Bush Hog have been used in connection with the unit, if, in the sole judgement of Bush Hog such use affects its performance, stability or reliability.
4. If the unit has been altered or repaired outside of an authorized Bush Hog dealership in a manner which, in the sole judgement of Bush Hog, affects its performance, stability or reliability.
5. To normal maintenance service and normal replacement items such as gearbox lubricant, hydraulic fluid, worn blades, or to normal deterioration of such things as belts and exterior finish due to use or exposure.
6. To expendable or wear items such as teeth, chains, sprockets, belts, springs and any other items that in the company's sole judgement is a wear item.

NO EMPLOYEE OR REPRESENTATIVE OF BUSH HOG IS AUTHORIZED TO CHANGE THIS LIMITED WARRANTY IN ANY WAY OR GRANT ANY OTHER WARRANTY UNLESS SUCH CHANGE IS MADE IN WRITING AND SIGNED BY BUSH HOG'S SERVICE MANAGER, 2501 GRIFFIN AVE., SELMA, ALABAMA 36703.



Record the model number, serial number and date purchased. This information will be helpful to your dealer if parts or service are required.

MODEL NUMBER _____

SERIAL NUMBER _____

DATE OF RETAIL SALE _____

MAKE CERTAIN THE WARRANTY
HAS BEEN FILED WITH BUSH HOG
SELMA, ALABAMA

LANDSCAPE RAKE

TABLE OF CONTENTS

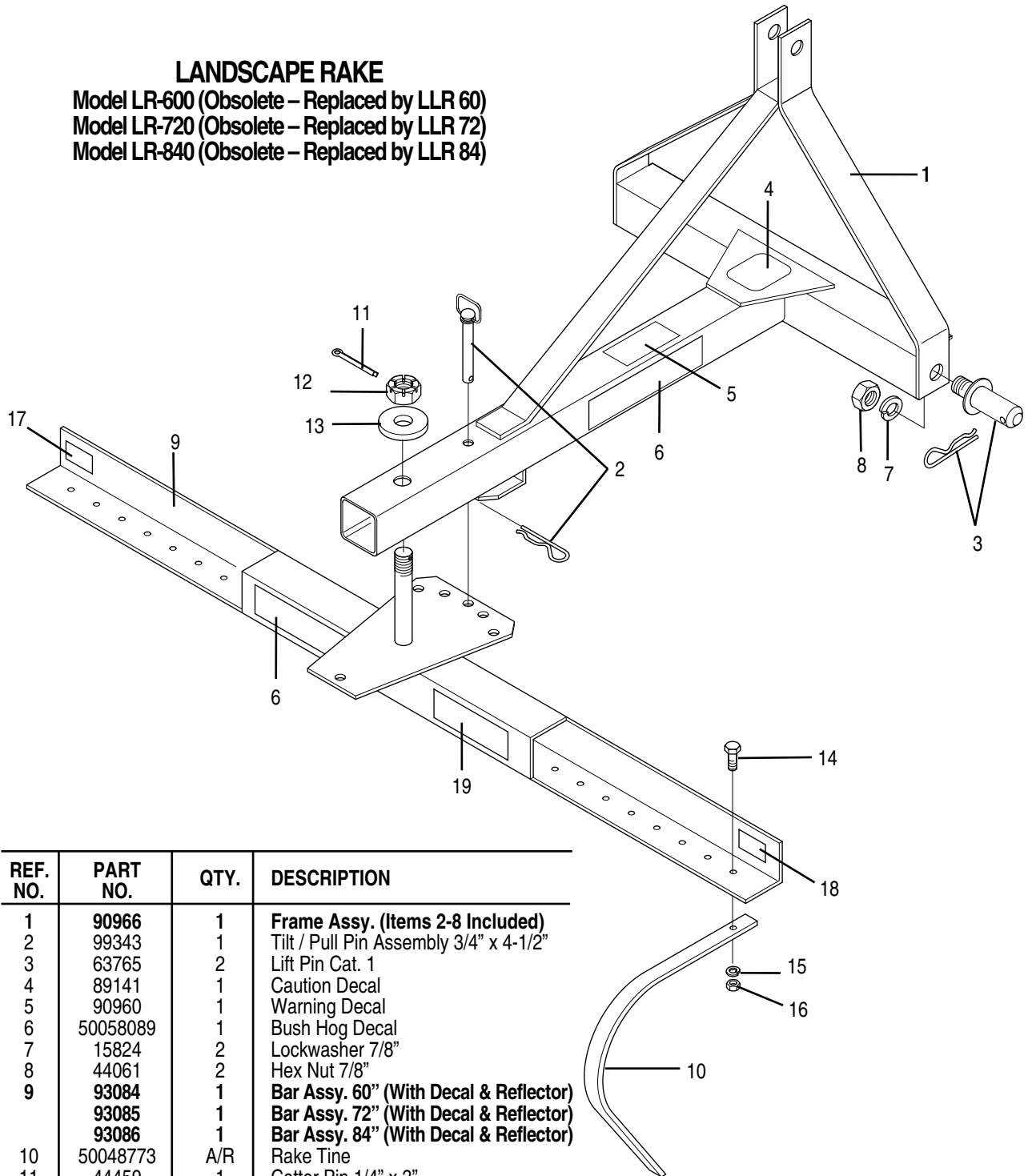
CONTENTS	PAGE
LR Landscape Rake	12-1-1, 12-1-2
LLR Landscape Rake, Light Duty	12-2-1
MLR Landscape Rake, Medium Duty	12-2-2 – 12-2-5
LRC Landscape Rake	12-3-1
Gauge Wheel Assemblies	12-1-2, 12-2-5
CLR Landscape Rake	12-4-1

LANDSCAPE RAKE

Model LR-600 (Obsolete – Replaced by LLR 60)

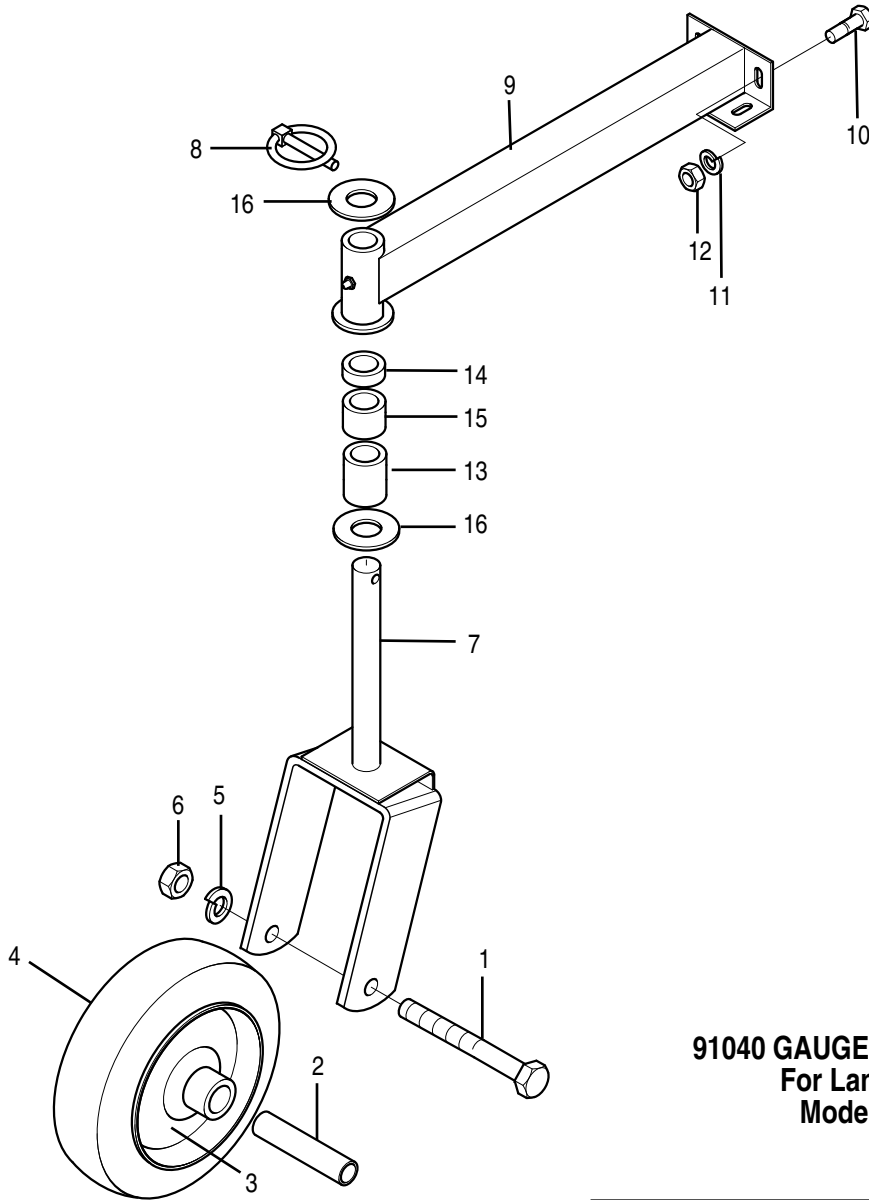
Model LR-720 (Obsolete – Replaced by LLR 72)

Model LR-840 (Obsolete – Replaced by LLR 84)



REF. NO.	PART NO.	QTY.	DESCRIPTION
1	90966	1	Frame Assy. (Items 2-8 Included)
2	99343	1	Tilt / Pull Pin Assembly 3/4" x 4-1/2"
3	63765	2	Lift Pin Cat. 1
4	89141	1	Caution Decal
5	90960	1	Warning Decal
6	50058089	1	Bush Hog Decal
7	15824	2	Lockwasher 7/8"
8	44061	2	Hex Nut 7/8"
9	93084	1	Bar Assy. 60" (With Decal & Reflector)
	93085	1	Bar Assy. 72" (With Decal & Reflector)
	93086	1	Bar Assy. 84" (With Decal & Reflector)
10	50048773	A/R	Rake Tine
11	44459	1	Cotter Pin 1/4" x 3"
12	20919	1	Hex Nut, Slotted 1 1/4"
13	20570	1	Flatwasher 1 1/4"
14	—	A/R	Capscrew 3/8" x 1 1/4"
15	—	A/R	Lockwasher 3/8"
16	—	A/R	Hex Nut 3/8"
17	50031213	1	Red Reflector (60" & 72" Rakes)
18	50031214	1	Amber Reflector (84" Rake)
19	90956	1	Model Decal LR-600
	90957	1	Model Decal LR-720
	90958	1	Model Decal LR-840

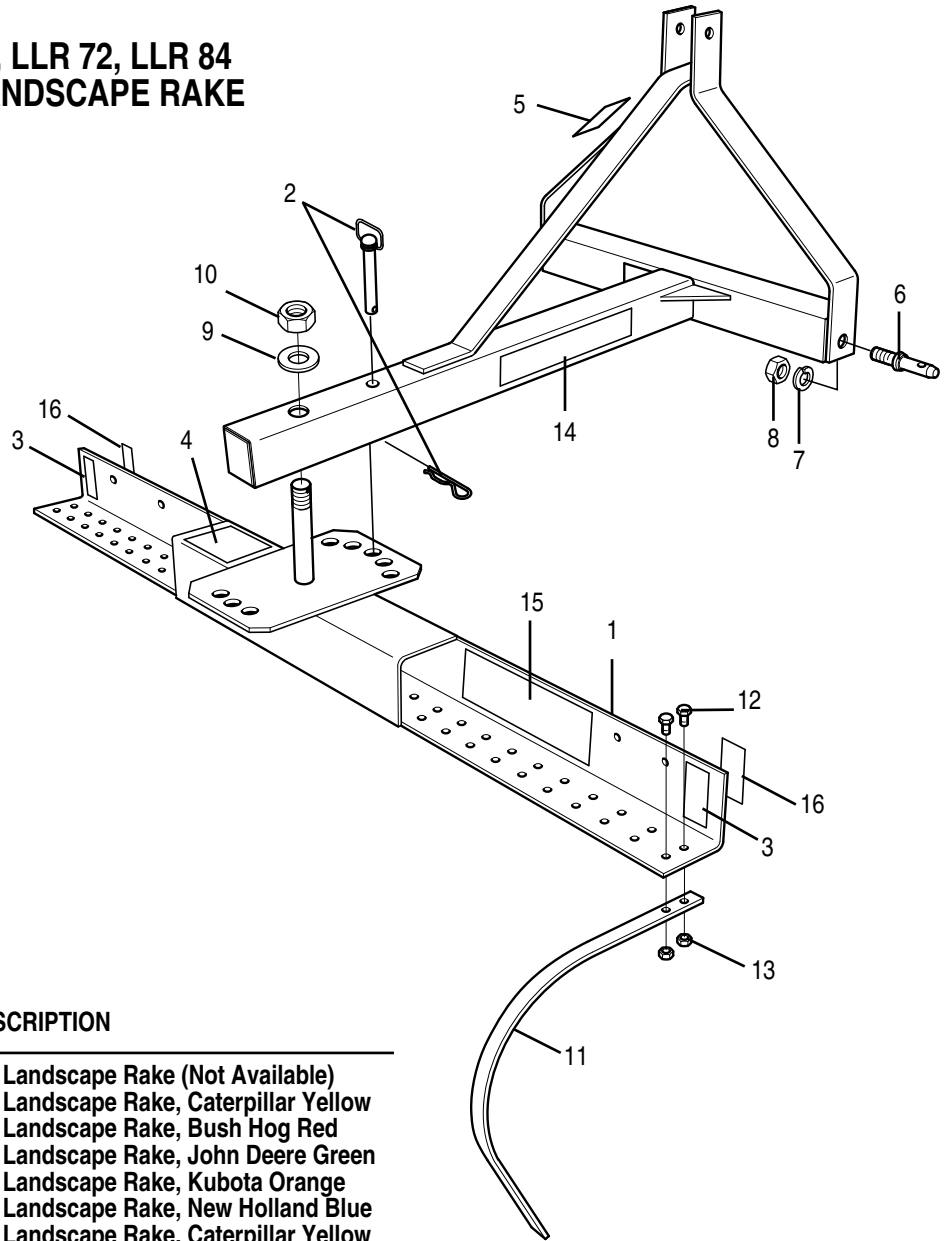
A/R - As Required



91040 GAUGE WHEEL ASSEMBLY
For Landscape Rake
Models LR & LLR

REF. NO.	PART NO.	QTY.	DESCRIPTION
1	44030	1	Capscrew 1/2" x 5" Gr.5
2	88970	1	Wheel Tube
3	91032	1	Wheel
4	91033	1	Tire
5	—	1	Lockwasher 1/2"
6	—	1	Hex Nut 1/2"
7	91034	1	Caster
8	20312	1	Spring Pin
9	91036	1	Arm
10	—	4	Capscrew 3/8" x 1 1/2" Gr.5
11	—	4	Lockwasher 3/8"
12	—	4	Hex Nut 3/8"
13	99314	1	Spacer 1 1/2"
14	84612	1	Spacer 1/2"
15	84613	3	Spacer 1"
16	20376	2	Flatwasher 1"

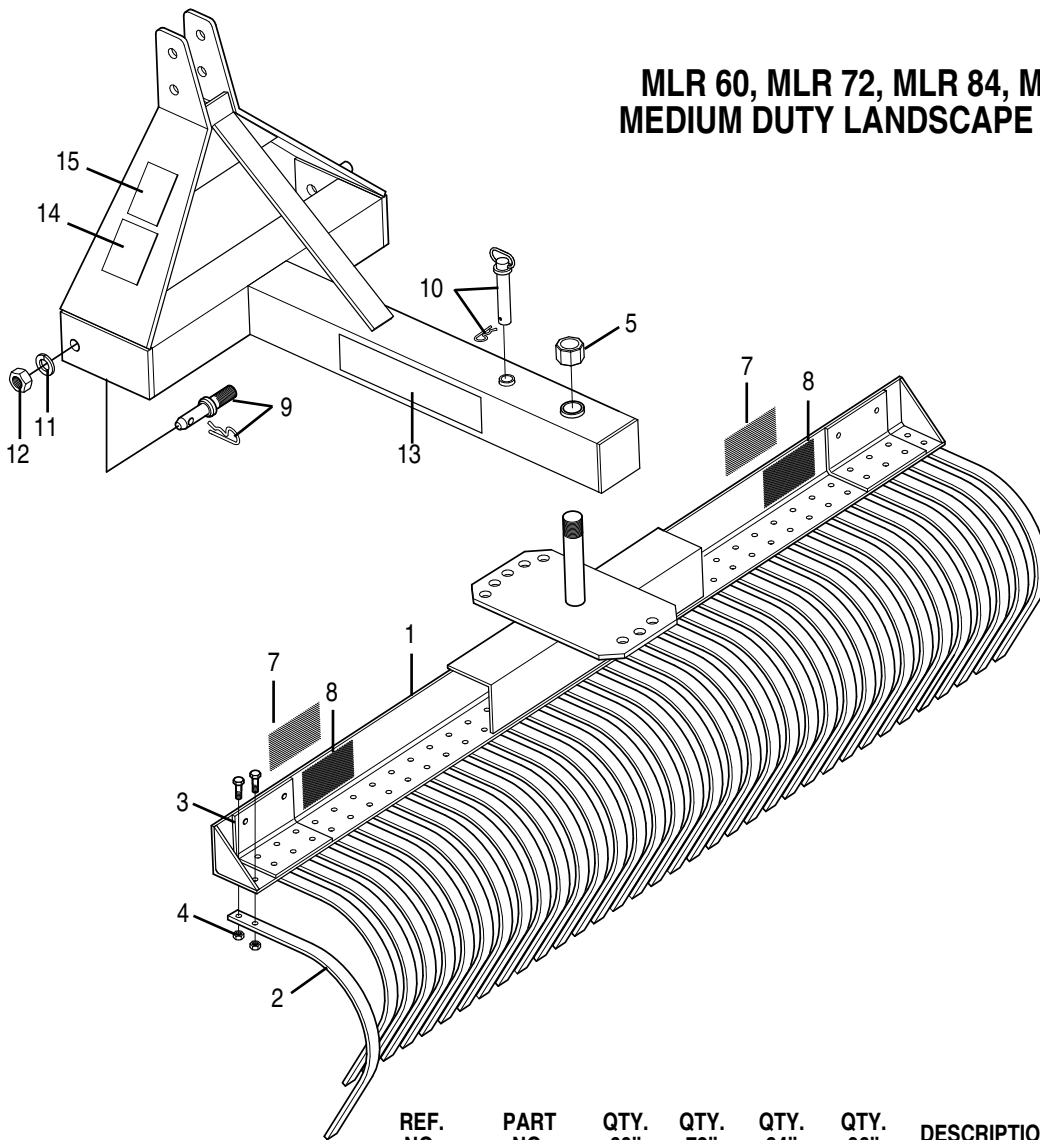
**LLR48, LLR 60, LLR 72, LLR 84
LIGHT DUTY LANDSCAPE RAKE**



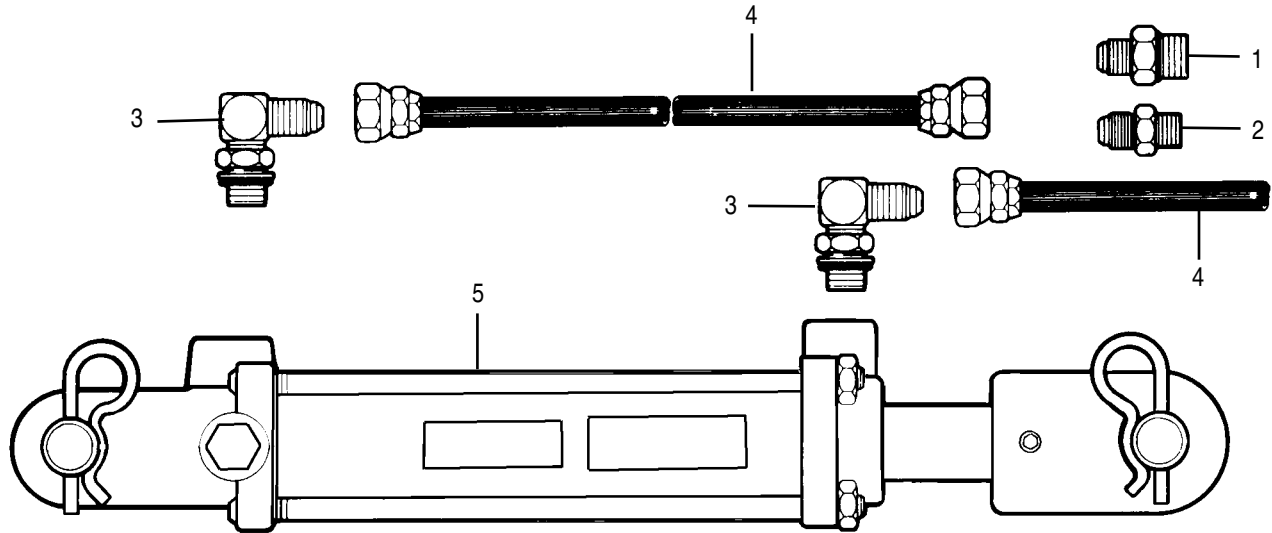
REF. NO.	PART NO.	QTY.	DESCRIPTION
1	—	-	48" Landscape Rake (Not Available)
	LLR60-16	1	60" Landscape Rake, Caterpillar Yellow
	LLR72-01	1	72" Landscape Rake, Bush Hog Red
	LLR72-03	1	72" Landscape Rake, John Deere Green
	LLR72-05	1	72" Landscape Rake, Kubota Orange
	LLR72-14	1	72" Landscape Rake, New Holland Blue
	LLR72-16	1	72" Landscape Rake, Caterpillar Yellow
	LLR84-16	1	84" Landscape Rake, Caterpillar Yellow
2	99343	1	Pull Pin Assembly
3	50031213	2	Red Reflector (48", 60", 72")
	50031214	2	Red Reflector (84")
4	50057097	1	Decal, Caution
5	90960	1	Decal, Warning
6	63765	2	Lift Pin
7	—	2	Lockwasher 7/8"
8	—	2	Hex Nut 7/8"
9	20570	1	Flatwasher 1-1/4"
10	15521	1	Locknut 1-1/4", Collar
11	50048773	24	Rake Teeth (LLR-48)
	50048773	30	Rake Teeth (LLR-60)
	50048773	36	Rake Teeth (LLR-72)
	50048773	42	Rake Teeth (LLR-84)
12	—	24	Capscrew 3/8" x 1-1/4" Gr.5 (LLR 48)
	—	30	Capscrew 3/8" x 1 1/4" Gr.5 (LLR 60)
	—	36	Capscrew 3/8" x 1 1/4" Gr.5 (LLR 72)
	—	42	Capscrew 3/8" x 1 1/4" Gr.5 (LLR 84)

REF. NO.	PART NO.	QTY.	DESCRIPTION
13	—	24	Locknut 3/8" (LLR 48)
	—	30	Locknut 3/8" (LLR 60)
	—	36	Locknut 3/8" (LLR 72)
	—	42	Locknut 3/8" (LLR 84)
14	50083387	2	Decal, Bush Hog
15	97968	1	Model No. Decal LLR-48
	97969	1	Model No. Decal LLR-60
	97970	1	Model No. Decal LLR-72
	97971	1	Model No. Decal LLR-84
16	53315	2	Amber Reflector

**MLR 60, MLR 72, MLR 84, MLR 96
MEDIUM DUTY LANDSCAPE RAKES**



REF. NO.	PART NO.	QTY. 60"	QTY. 72"	QTY. 84"	QTY. 96"	DESCRIPTION
	—	1	-	-	-	60" Landscape Rake (Not Available)
	MLR72-16	-	1	-	-	72" Landscape Rake, Caterpillar Yellow
	MLR84-16	-	-	1	-	84" Landscape Rake, Caterpillar Yellow
	MLR96-16	-	-	-	1	96" Landscape Rake, Caterpillar Yellow
1	—	1	-	-	-	60" Rake Weldment w/ Decals
	50048762	-	1	-	-	72" Rake Weldment w/Decals
	50048764	-	-	1	-	84" Rake Weldment w/Decals
	50048766	-	-	-	1	96" Rake Weldment w/Decals
2	50048773	30	36	42	48	Rake Tine
3	—	30	72	84	96	Capscrew 3/8" x 1-1/4"
4	20363	30	72	84	96	Lock Nut 3/8"
5	15521	1	1	1	1	Lock Nut 1-1/4" Gr. C Collar
6	97972	1	-	-	-	Model No. Decal, MLR60
	97973	-	1	-	-	Model No. Decal, MLR72
	97974	-	-	1	-	Model No. Decal, MLR84
	97975	-	-	-	1	Model No. Decal, MLR96
7	53315	2	2	2	2	Amber Reflector
8	50031213	2	2	-	-	Red Reflector (60", 72")
	50031214	-	-	2	2	Red Reflector (84", 96")
9	63765	2	2	2	2	Lift Pin
10	50039207	2	1	1	1	Index Pin 3/4" x 6-1/2"
11	—	2	2	2	2	Lockwasher 7/8"
12	—	2	2	2	2	Hex Nut 7/8"
13	50083387	2	2	2	2	Bush Hog Decal
14	89141	1	1	1	1	Caution Decal
15	90960	1	1	1	1	Warning Decal

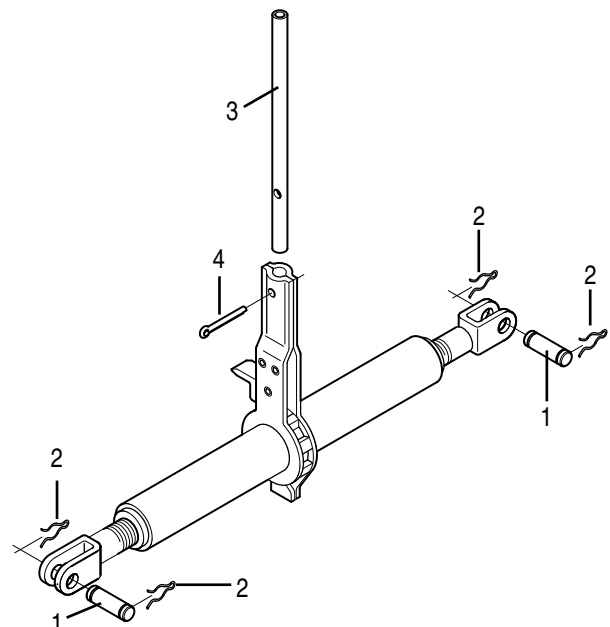


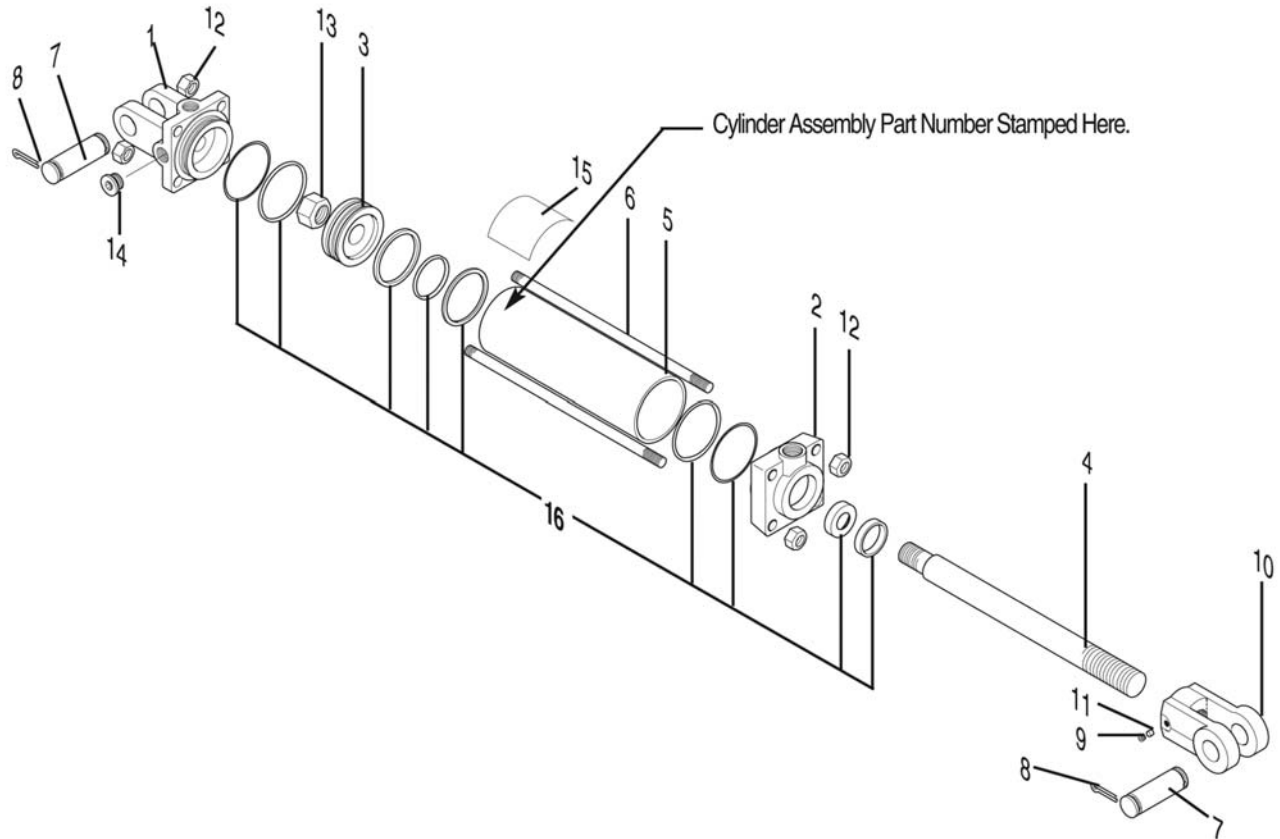
97978 HYDRAULIC CYLINDER KIT
For MLR Landscape Rake

REF. NO.	PART NO.	QTY.	DESCRIPTION
1	53340	2	Adaptor 9/16" JIC to 3/4" SAE
2	24-6-434	2	Adaptor 9/16" JIC to 1/2" NPT
3	14-40-98	2	90° Elbow 3/4" ORB to 9/16" JIC
4	62427	2	Hydraulic Hose 144"
5	50047479	1	Hydraulic Cylinder Assy

1817 RATCHET ASSEMBLY
For MLR Landscape Rake

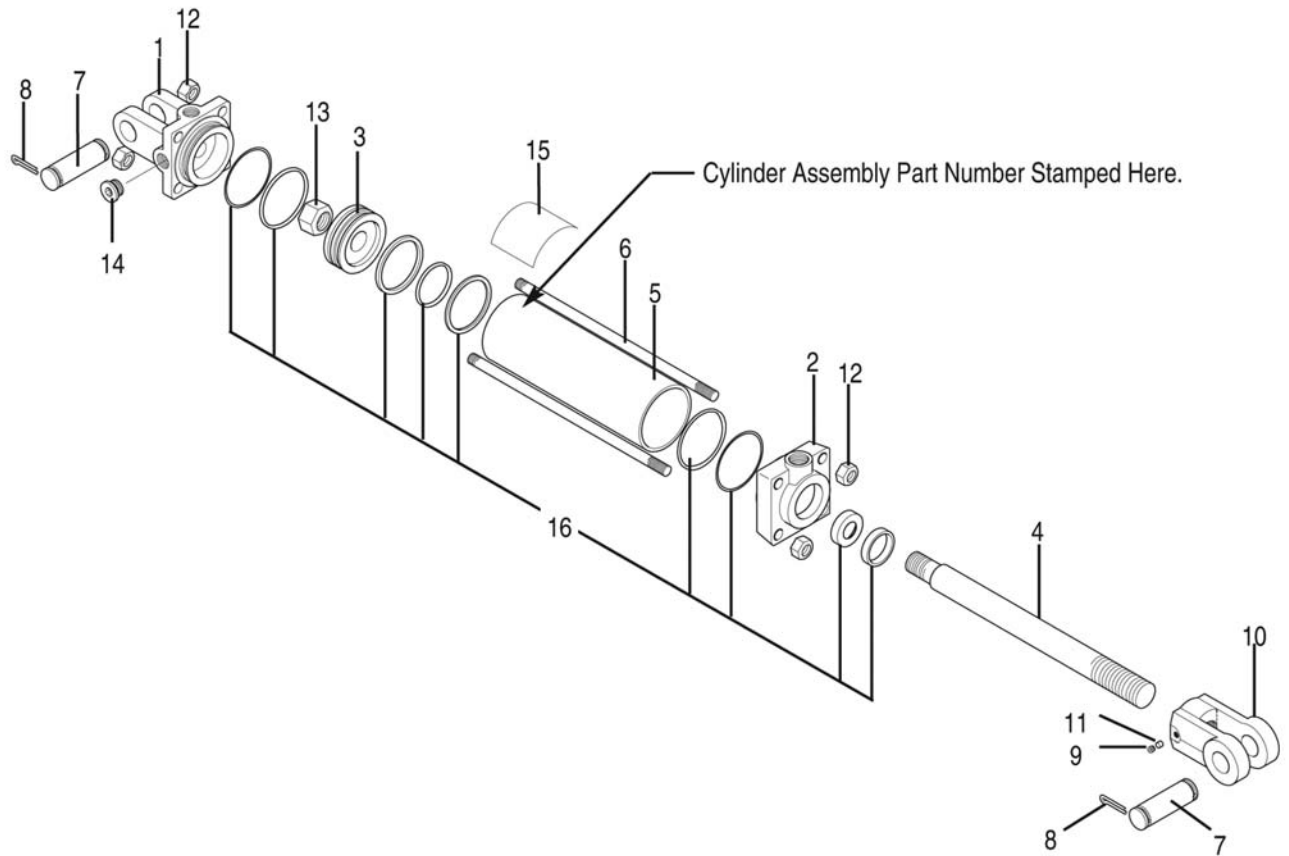
REF. NO.	PART NO.	QTY.	DESCRIPTION
1	50028265	2	Pin
2	50028264	4	Clip Pin
3	11810	1	Handle
4	—	1	Cotter Pin 1/4" x 1-3/4"





50017492 HYDRAULIC CYLINDER
For MLR Landscape Rake
Mfd. by Monarch
2" Bore x 8" Stroke 1.125" Rod Dia.
3/4" - 16 ORB Ports
Replaced by 50047479 Hydraulic Cylinder

REF. NO.	PART NO.	QTY.	DESCRIPTION
1	95458	1	Clevis Cap
2	95457	1	Rod Cap
3	95460	1	Piston
4	95459	1	Rod 1.125" Dia.
5	95454	1	Cylinder Tube
6	95455	4	Tie Rod
7	95425	2	Pin 1" Dia.
8	21020614	4	Cotter Pin 3/16" x 1 1/2"
9	95433	1	Thread Lock
10	95456	1	Rod Clevis 1.125" x 1"
11	95422	1	Set Screw 3/8" x 1/2 Knurled
12	8151200	8	Hex Nut 3/8"
13	95452	1	Hex Nut 3/4" UNF
14	95435	1	Plug 3/4"
15	95423	1	Caution Decal
16	50017620	1	Seal Kit



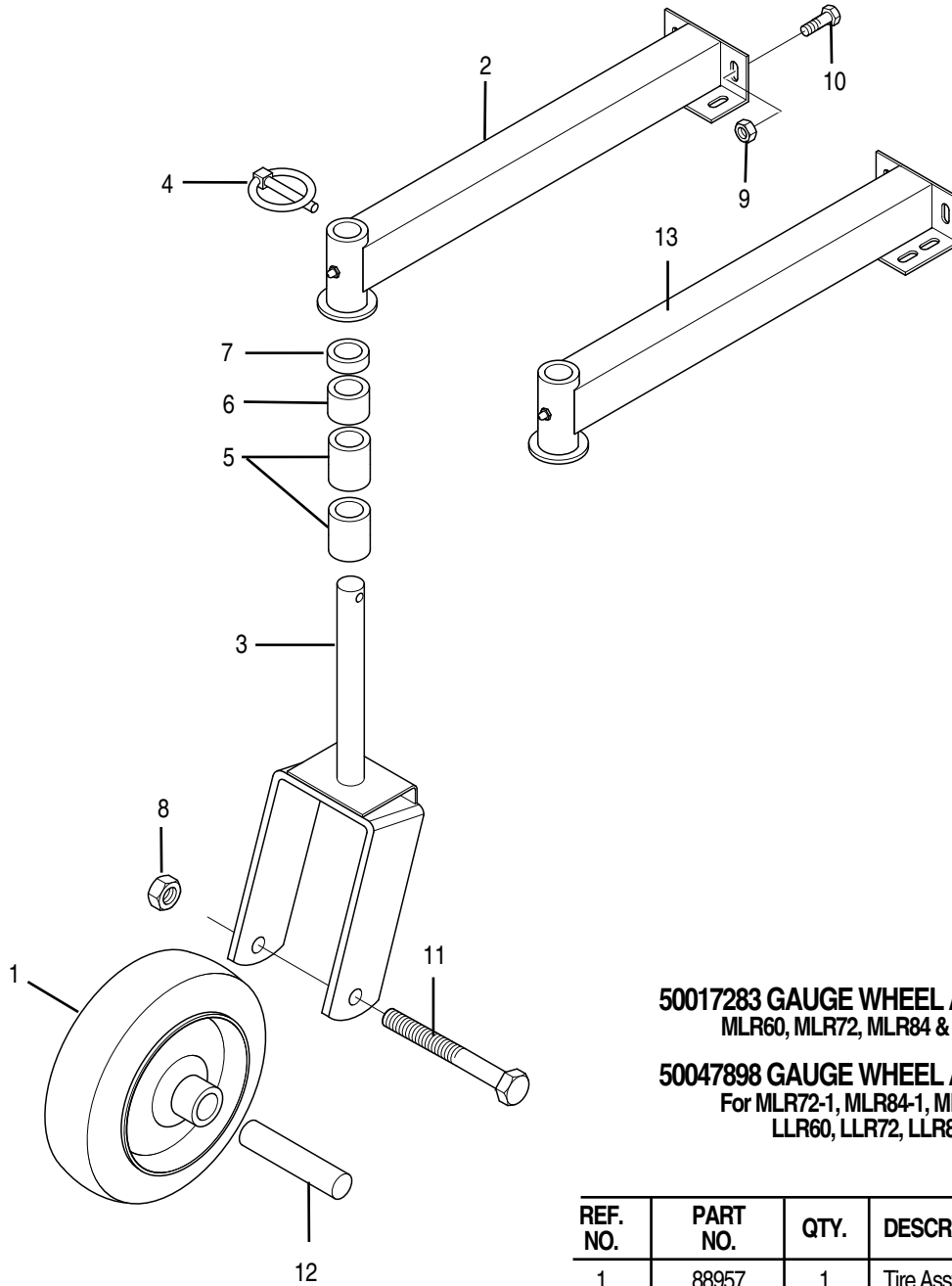
50047479 HYDRAULIC CYLINDER

Mfd. by Bailey

2" Bore x 8" Stroke, 1.125" Rod Dia.

3/4"-16 UNF Ports

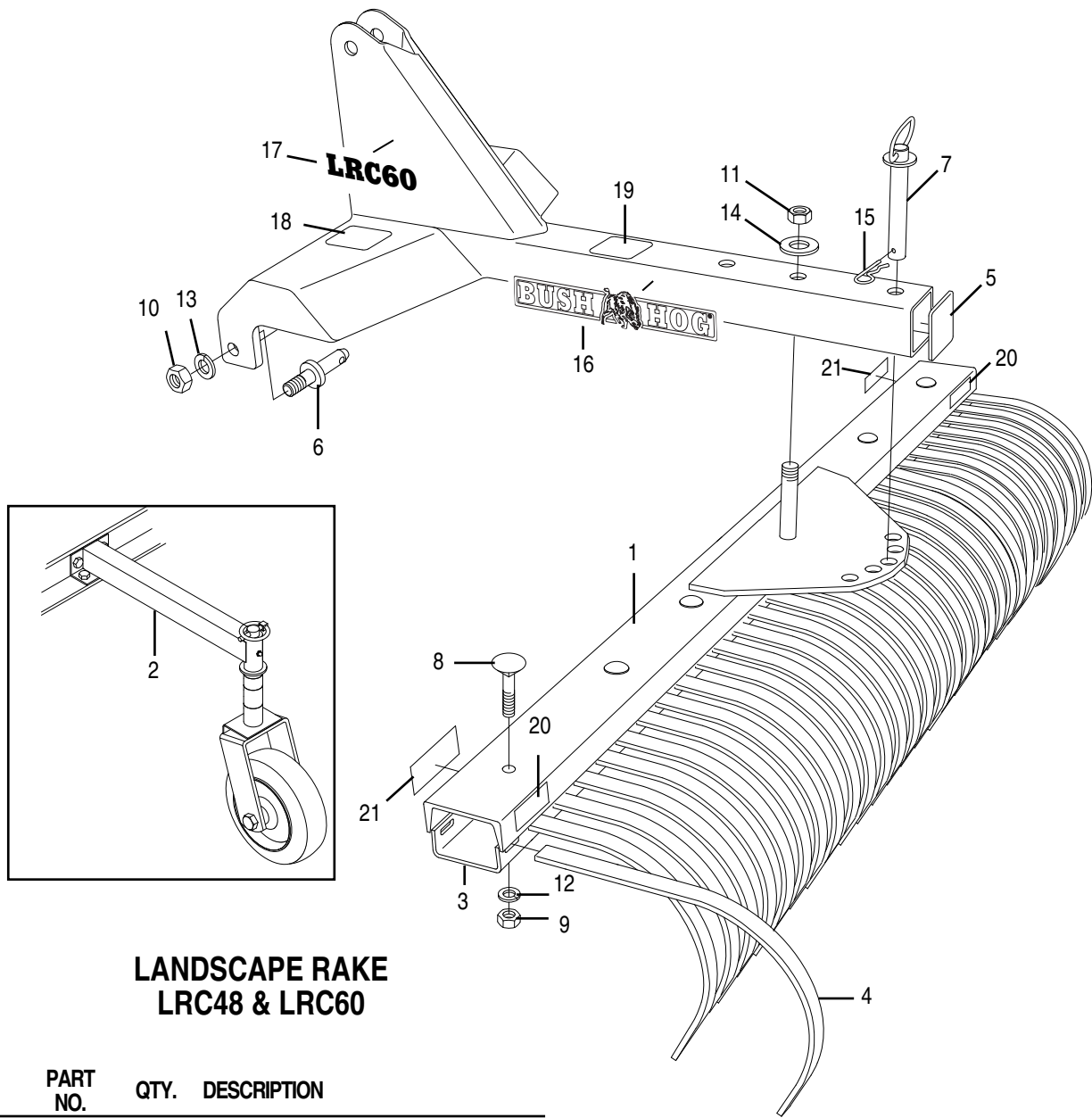
REF. NO.	PART NO.	QTY.	DESCRIPTION
1	—	1	Clevis Cap
2	—	1	Rod Cap
3	—	1	Piston
4	—	1	Rod 1.25" Dia.
5	—	1	Cylinder Tube
6	—	4	Tie Rod
7	—	2	Pin 1" Dia.
8	—	4	Cotter Pin 3/16" x 1 1/2"
9	—	1	Thread Lock
10	—	1	Rod Clevis 1.25" x 1"
11	—	1	Set Screw 3/8" x 1/2 Knurled
12	—	8	Hex Nut 5/8" UNF
13	—	1	Hex Nut 1"-14
14	—	1	Plug 3/4"
15	—	1	Caution Decal
16	50017620	1	Seal Kit for 2" Bore



50017283 GAUGE WHEEL ASSEMBLY
MLR60, MLR72, MLR84 & MLR96

50047898 GAUGE WHEEL ASSEMBLY
For MLR72-1, MLR84-1, MLR96-1,
LLR60, LLR72, LLR84

REF. NO.	PART NO.	QTY.	DESCRIPTION
1	88957	1	Tire Assy.
2	99316	1	Caster Arm Assembly (MLR60, MLR72, MLR84, MLR96)
3	99315	1	Castor
4	20312	1	Pin
5	99314	2	Spacer 1 1/2"
6	84613	1	Spacer 1"
7	84612	1	Spacer 1/2"
8	9161600	1	Locknut 1/2"
9	9131200	4	Locknut 3/8"
10	1161220	4	Capscrew 3/8" x 2" Gr.5
11	20776	1	Capscrew 1/2" x 6" Gr.5
12	88970	1	Sleeve
13	50047896	1	Caster Arm Assembly (MLR72-1, MLR84-1, MLR96-1)

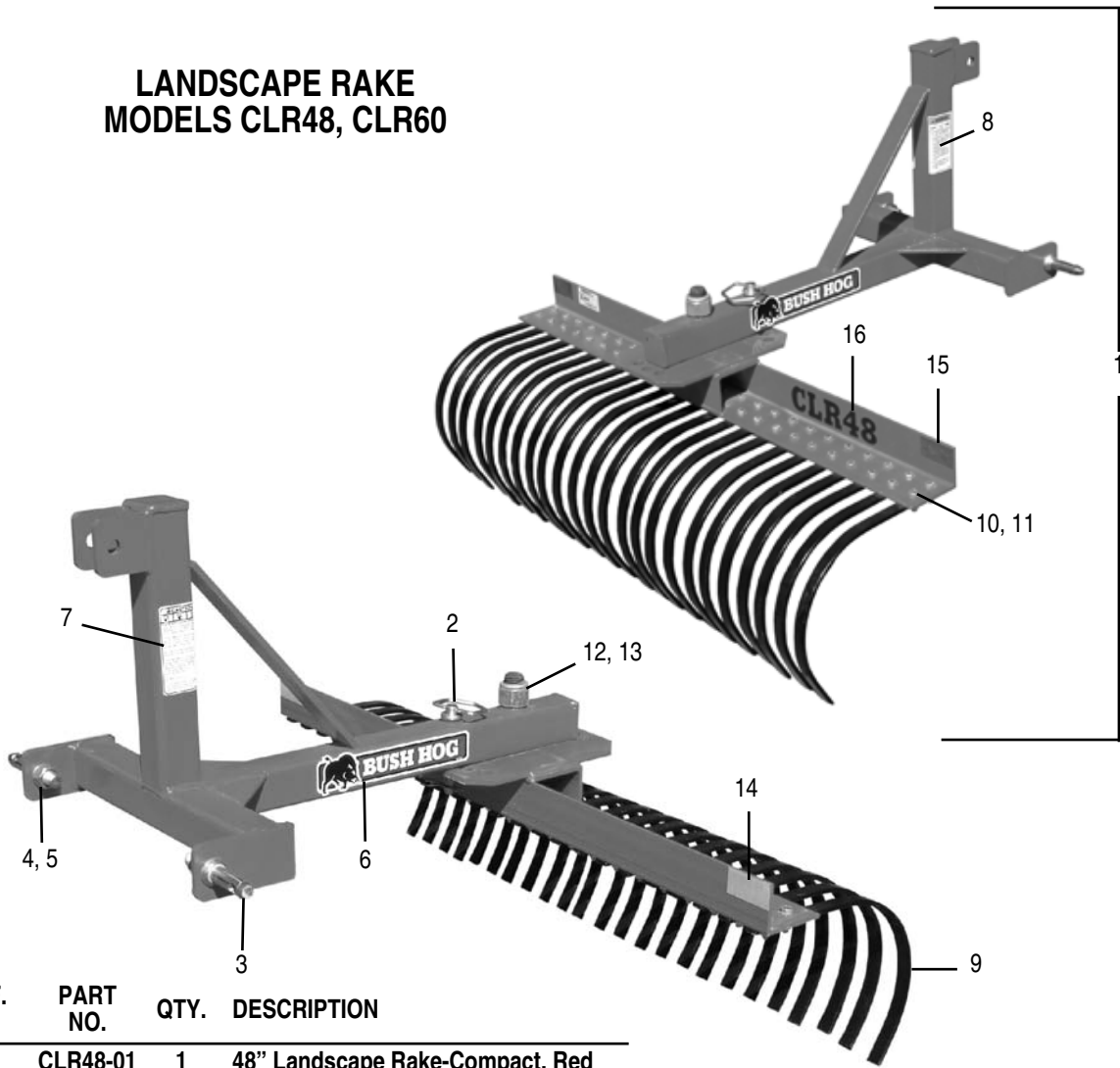


**LANDSCAPE RAKE
LRC48 & LRC60**

REF. NO.	PART NO.	QTY.	DESCRIPTION
1	LRC48-03	1	48" Landscape Rake, John Deere Green
	LRC48-05	1	48" Landscape Rake, Kubota Orange
	LRC48-14	1	48" Landscape Rake, New Holland Blue
	LRC48-21	1	48" Landscape Rake, MF Red
	LRC60-03	1	60" Landscape Rake, John Deere Green
	LRC60-05	1	60" Landscape Rake, Kubota Orange
	LRC60-14	1	60" Landscape Rake, New Holland Blue
	LRC60-21	1	60" Landscape Rake, MF Red
2	50047583	1	Gauge Wheel Kit (Optional)
3	50047577	2	Tine Spacer, 24" (LRC48)
	50047577	1	Tine Spacer, 24" (LRC60)
	50047576	2	Tine Spacer, 18" (LRC60)
4	50047574	24	Rake Tine
5	50047575	1	Plastic Cap
6	63765	2	Lift Pin, Cat. 1
7	95121	1	Pull Pin, 7/8" x 4-1/4"
8	44348	A/R	Carriage Bolt 5/8" x 4"
9	—	A/R	Hex Nut 5/8"

REF. NO.	PART NO.	QTY.	DESCRIPTION
10	44061	2	Hex Nut 7/8" NF
11	44149	1	Lock Nut 7/8"
12	—	A/R	Lockwasher 5/8"
13	—	2	Lockwasher 7/8"
14	—	1	Flatwasher 7/8"
15	50005860	1	Cotter Pin
16	97976	2	Bush Hog Decal
17	50047296	2	Model Decal, LRC48
	50047297	2	Model Decal, LRC60
18	89141	1	Caution Decal
19	90960	1	Warning Decal
20	53316	2	Red Reflector
21	53315	2	Amber Reflector

LANDSCAPE RAKE MODELS CLR48, CLR60



REF. NO.	PART NO.	QTY.	DESCRIPTION
1	CLR48-01	1	48" Landscape Rake-Compact, Red
	CLR48-03	1	48" Landscape Rake-Compact, Green
	CLR48-05	1	48" Landscape Rake-Compact, Orange
	CLR48-14	1	48" Landscape Rake-Compact, Blue
	CLR48-16	1	48" Landscape Rake-Compact, Yellow
	CLR60-01	1	60" Landscape Rake-Compact, Red
	CLR60-03	1	60" Landscape Rake-Compact, Green
	CLR60-05	1	60" Landscape Rake-Compact, Orange
	CLR60-14	1	60" Landscape Rake-Compact, Blue
	CLR60-16	1	60" Landscape Rake-Compact, Yellow
2	99343	1	Tilt / Pull Pin Assembly
3	63765	2	Lift Pin, Cat. 1
4	—	2	Lockwasher 7/8"
5	44061	2	Hex Nut 7/8" NF
6	50083387	2	Decal, Bush Hog
7	50057097	1	Caution Decal
8	90960	1	Warning Decal
9	50058117	A/R	Rake Tine, Short - 2 Hole Mount
10	—	A/R	Capscrew 3/8" x 1-1/4"
11	20363	A/R	Locknut 3/8"
12	15521	1	Locknut 1-1/4" Gr.C Collar
13	—	1	Flatwasher 1-1/4"
14	53315	2	Amber Reflector
15	50031213	2	Red Reflector
16	50058115	1	Model Decal, CLR48
	50058121	1	Model Decal, CLR60



BUSH HOG[®]
2501 GRIFFIN AVE. • SELMA, AL 36703
WWW.BUSHHOG.COM