



BUSH HOG®

**RG 60/72/84
CRG48/60
HDRG84/96
ROAD GRADER**

Published 05/22

PARTS MANUAL SECTION 24



An Operator's Manual was shipped with the equipment . The Operator's Manual is an integral part of the safe operation of this machine and must be maintained with the unit at all times. **READ, UNDERSTAND, and FOLLOW** the Safety and Operation Instructions contained in this manual before operating the equipment. If the Operator's Manual is not with the equipment, contact your dealer or Bush Hog to obtain a Free copy before operating the equipment.



BUSH HOG®

2501 Griffin Ave.
Selma, AL 36703
334-874-2700
www.bushhog.com

¡ATENCIÓN!
LEA EL INSTRUCTIVO



Si No Lee Ingles, Pida
Ayuda a Alguien
Que Se Lo Lea Para Que le
Traduzca Las
Medidas de Seguridad

© 2015 Alamo Group Inc.

A MEMBER OF THE
ALAMO GROUP
ALWAYS ON THE CUTTING EDGE®

PARTS ORDERING GUIDE

The following instructions are offered to help eliminate needless delay and error in processing purchase orders for the equipment in this section.

1. The Parts Section is prepared in logical sequence and grouping of parts that belong to the basic machine featured in this manual. Part Numbers and Descriptions are given to help locate the parts and quantities required.
2. The Purchase Order must include the name and address of the person or organization ordering the parts, who should be charged, and if possible, the serial number of the machine for which the parts are ordered.
3. The Purchase Order must clearly list the quantity of each part, the complete and correct part number (be sure to include all periods), and the basic name of the part.
4. The Manufacturer reserves the right to substitute parts where applicable.
5. Some parts are unlisted items which are special production items not normally stocked and are subject to special handling. Request a quotation for such parts before sending a Purchase Order.
6. The Manufacturer reserves the right to change prices without prior notice.



For maximum safety and to guarantee optimum product reliability, always use genuine BUSH HOG Parts. The use of inferior replacement parts may cause premature or catastrophic failure which could result in serious injury or death. Direct any questions regarding parts to:

BUSH HOG
2501 Griffin Ave.
Selma, AL 36703
www.bushhog.com
Contact Us
800-304-2836



BUSH HOG®

To the Owner/Operator/Dealer

All implements with moving parts are potentially hazardous. There is no substitute for a cautious, safe-minded operator who recognizes the potential hazards and follows reasonable safety practices. The manufacturer has designed this implement to be used with all its safety equipment properly attached to minimize the chance of accidents.

BEFORE YOU START! Read the safety messages on the implement and shown in your manual. Observe the rules of safety and common sense!



DANGER

FAILING TO FOLLOW SAFETY MESSAGES AND OPERATING INSTRUCTION CAN CAUSE SERIOUS BODILY INJURY OR EVEN DEATH TO OPERATOR AND OTHERS IN THE AREA.

<p>1.</p> 	<p>2. NO RIDERS. NO CHILDREN OPERATORS</p> 	<p>3. USE SAFETY SHOES, HARD HAT, SAFETY GLASSES, SEAT BELTS, ROPS & OPS.</p> 	<p>4. BLOCK UP SECURELY BEFORE WORKING UNDER.</p> 
--	---	---	--

1. Study and understand Operator's Manuals, Safety Decals, and Instructional Decals for tractor and implement to prevent misuse, abuse, and accidents. Practice before operating in a confined area or near passersby.

- Learn how to stop engine suddenly in an emergency. Be alert for passersby and especially children.

2. Allow no children on or near folding mower or tractor. Allow no riders on tractor or implement. Falling off may cause serious injury or death from being run over by tractor or mower or contact with rotating blades.

3. Operate only with tractor having Roll-Over Protective Structure (ROPS) and with seat belt securely fastened to prevent injury and possible death from falling off or tractor overturn.

- Personal Protective Equipment such as Hard Hat, Safety Glasses, Safety Shoes, & Ear Plugs are recommended.

4. Block up or support raised machine and all lifted components securely before putting hands or feet under or working underneath any lifted component to prevent crushing injury or death from sudden dropping or inadvertent operation of controls. Make certain area is clear before lowering or folding.

5. Before transporting, put Lift Lever in detent or full-lift position. Install Transport Safety Devices securely on folding mowers. Put Booms securely in Transport Rest.

- Folding and Boom Mowers have raised center of gravity. Slow down when turning and on hillsides.

6. Make certain that SMV sign, warning lights, and reflectors are clearly visible. Follow local traffic codes.

7. Never operate with Cutting Head or Folding Section raised if passersby, bystanders, or traffic are in the area to reduce possibility of injury or death from objects thrown by Blades under Guards or mower structure.

8. Before dismounting, secure implement in transport position or lower to ground.

- Put tractor in park position or set brake, disengage PTO, stop engine, remove key, and wait until noise of rotation has ceased to prevent crushing by entanglement in rotating parts which could cause injury or death.
- Never mount or dismount a moving vehicle. Crushing from runover may cause serious injury or death.

<p>5. TRANSPORT SAFELY, LOCK UP.</p> 	<p>6. USE SMV, LIGHTS, & REFLECTORS.</p> 	<p>7. DO NOT OPERATE WITH CUTTER OR WING RAISED</p> 	<p>8. DO NOT MOUNT OR DISMOUNT WHILE MOVING.</p> 
---	---	---	---

02967827

WARRANTY INFORMATION:

Read and understand the complete Warranty Statement found in this Manual. Fill out the Warranty Registration Form in full and return it to within 30 Days. Make certain the Serial Number of the Machine is recorded on the Warranty Card and on the Warranty Form that you retain.

LIMITED WARRANTY

Bush Hog warrants to the original purchaser of any new Bush Hog equipment, purchased from an authorized Bush Hog dealer, that the equipment be free from defects in material and workmanship for a period of one (1) year for non-commercial, state and municipalities' use and ninety (90) days for commercial use from date of retail sale. The obligation of Bush Hog to the purchaser under this warranty is limited to the repair or replacement of defective parts.

Replacement or repair parts installed in the equipment covered by this limited warranty are warranted for ninety (90) days from the date of purchase of such part or to the expiration of the applicable new equipment warranty period, whichever occurs later. Warranted parts shall be provided at no cost to the user at an authorized Bush Hog dealer during regular working hours. Bush Hog reserves the right to inspect any equipment or parts which are claimed to have been defective in material or workmanship.

DISCLAIMER OF IMPLIED WARRANTIES & CONSEQUENTIAL DAMAGES

Bush Hog's obligation under this limited warranty, to the extent allowed by law, is in lieu of all warranties, implied or expressed, **INCLUDING IMPLIED WARRANTIES OF MERCHANTABILITY AND FITNESS FOR A PARTICULAR PURPOSE** and any liability for incidental and consequential damages with respect to the sale or use of the items warranted. Such incidental and consequential damages shall include but not be limited to: transportation charges other than normal freight charges; cost of installation other than cost approved by Bush Hog; duty; taxes; charges for normal service or adjustment; loss of crops or any other loss of income; rental of substitute equipment, expenses due to loss, damage, detention or delay in the delivery of equipment or parts resulting from acts beyond the control of Bush Hog.

THIS LIMITED WARRANTY SHALL NOT APPLY:

1. To vendor items which carry their own warranties, such as engines, tires, and tubes.
2. If the unit has been subjected to misapplication, abuse, misuse, negligence, fire or other accident.
3. If parts not made or supplied by Bush Hog have been used in connection with the unit, if, in the sole judgement of Bush Hog such use affects its performance, stability or reliability.
4. If the unit has been altered or repaired outside of an authorized Bush Hog dealership in a manner which, in the sole judgement of Bush Hog, affects its performance, stability or reliability.
5. To normal maintenance service and normal replacement items such as gearbox lubricant, hydraulic fluid, worn blades, or to normal deterioration of such things as belts and exterior finish due to use or exposure.
6. To expendable or wear items such as teeth, chains, sprockets, belts, springs and any other items that in the company's sole judgement is a wear item.

NO EMPLOYEE OR REPRESENTATIVE OF BUSH HOG IS AUTHORIZED TO CHANGE THIS LIMITED WARRANTY IN ANY WAY OR GRANT ANY OTHER WARRANTY UNLESS SUCH CHANGE IS MADE IN WRITING AND SIGNED BY BUSH HOG'S SERVICE MANAGER, 2501 GRIFFIN AVE., SELMA, ALABAMA 36703.

Record the model number, serial number and date purchased. This information will be helpful to your dealer if parts or service are required.

MODEL NUMBER _____

SERIAL NUMBER _____

DATE OF RETAIL SALE _____

MAKE CERTAIN THE WARRANTY
HAS BEEN FILED WITH BUSH HOG
SELMA, ALABAMA

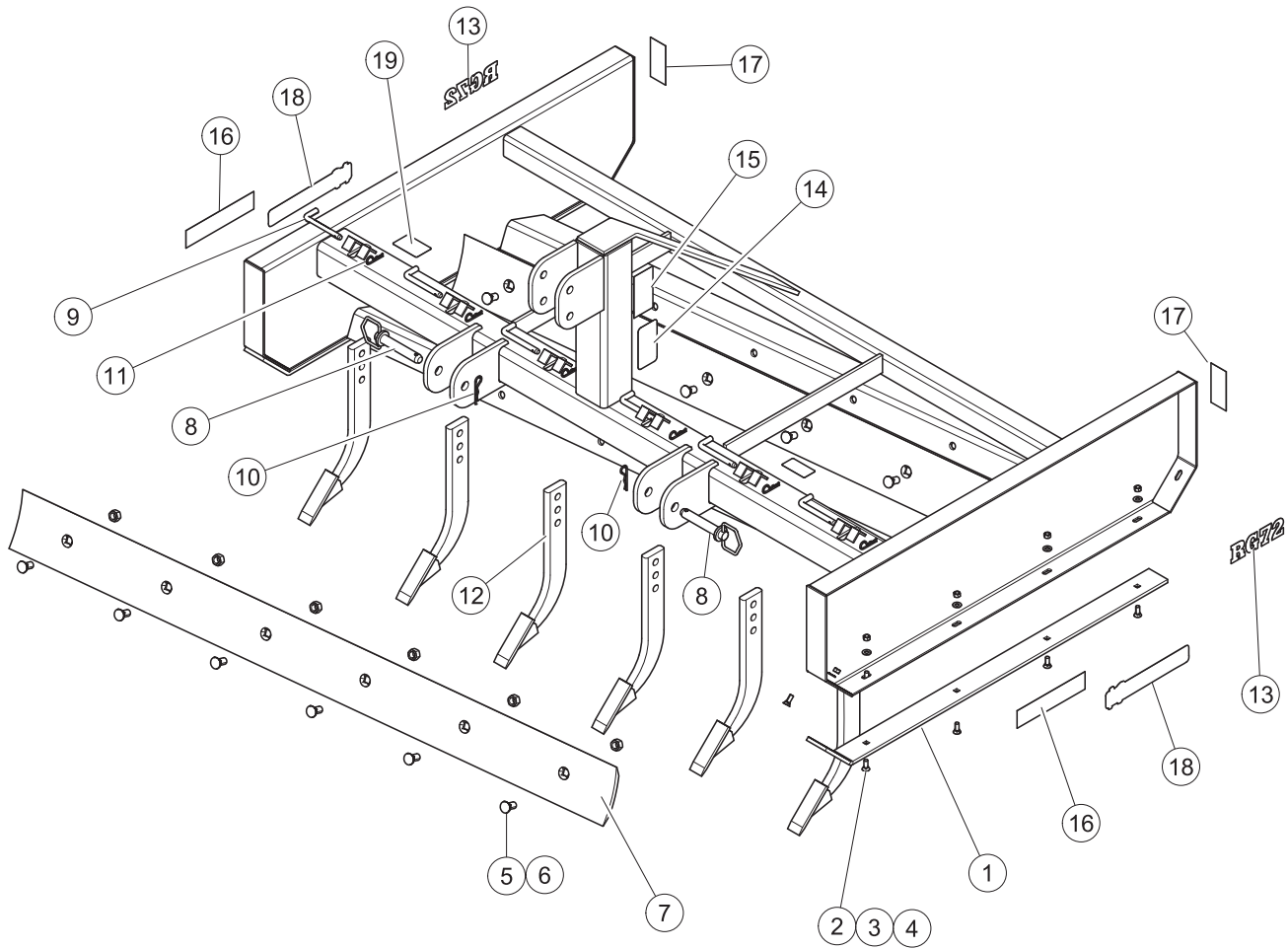
TABLE OF CONTENTS

ROAD GRADER

RG 60, RG 72, RG 84 SERIES

Frame and Related Parts RG60, RG72, RG84	24-1-1
Frame and Related Parts HDRG84, HDRG96	24-1-2
Frame and Related Parts CRG48, CRG60.....	24-1-4

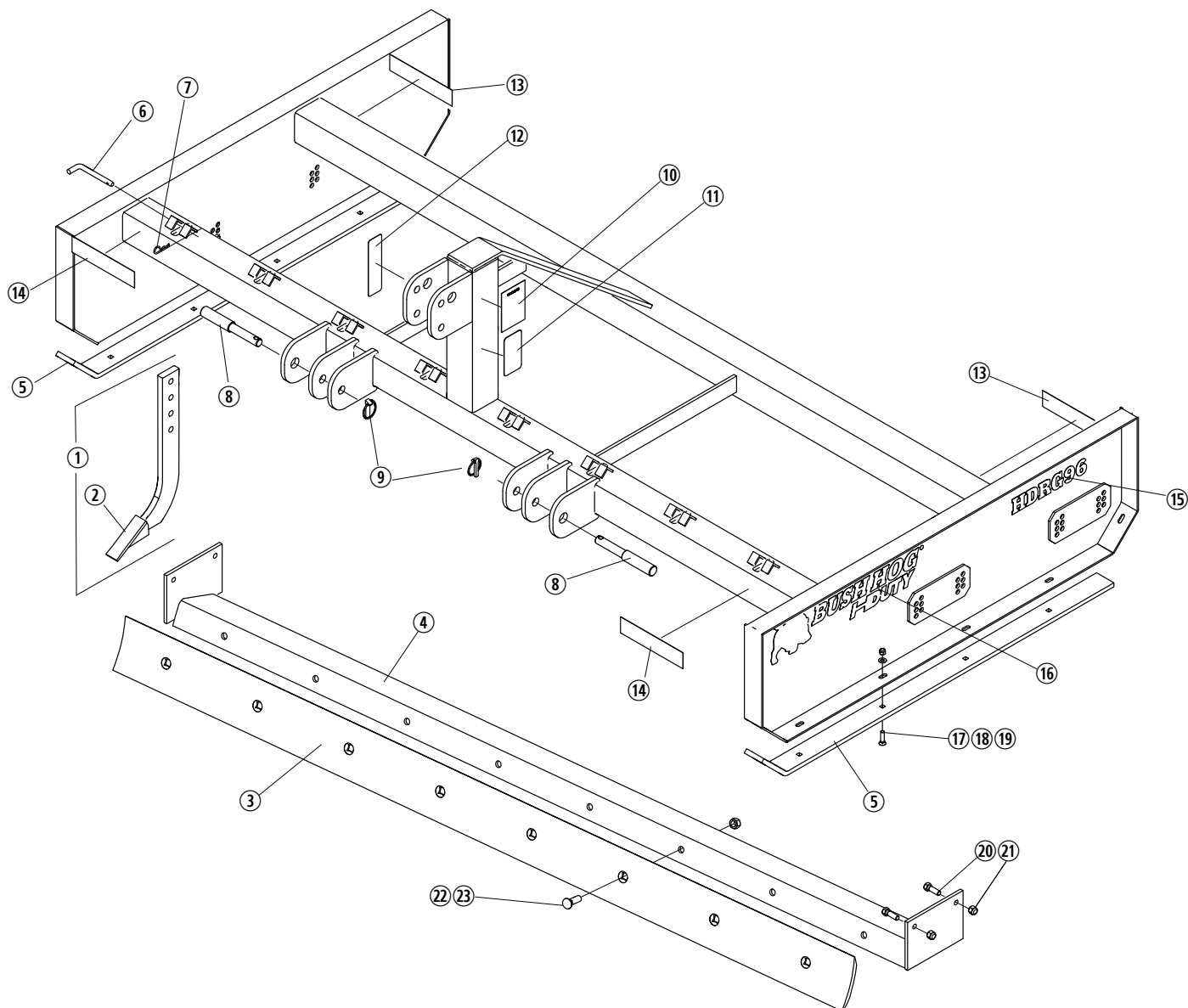
RG 60, RG 72, RG 84 SERIES FRAME AND RELATED PARTS



Ref. No.	Part No.	Description	Qty. Req'd.
1	50069718	Skid	2
2	-----	Flatwasher 3/8 SAE	10
3	-----	Locknut 3/8	10
4	-----	Plow Bolt 3/8 x 1	10
5	-----	Hex Nut 5/8	A/R
6	-----	Plow Bolt 5/8 x 1-1/2	A/R
7	95155	Cutting Edge RG 60	1
	95157	Cutting Edge RG 72	1
	95158	Cutting Edge RG 84	1
8	95121	Hitch Pin	2
9	50031991	Retainer Pin	A/R
10	50005860	Hair Pin	2

Ref. No.	Part No.	Description	Qty. Req'd.
11	50005861	Hair Pin	A/R
12	50031990	Shank and Piont Assy.	A/R
13	50069585	Model Decal RG 60	2
	50069586	Model Decal RG 72	2
	50069587	Model Decal RG 84	2
14	50057097	Caution Decal	1
15	90960BH	Warning Decal	1
16	50031212	Amber Reflector	2
17	50031213	Red Reflector	2
18	50083392	Bush Hog Logo Decal	2
19	00725746	Danger/ Peligro Decal	1

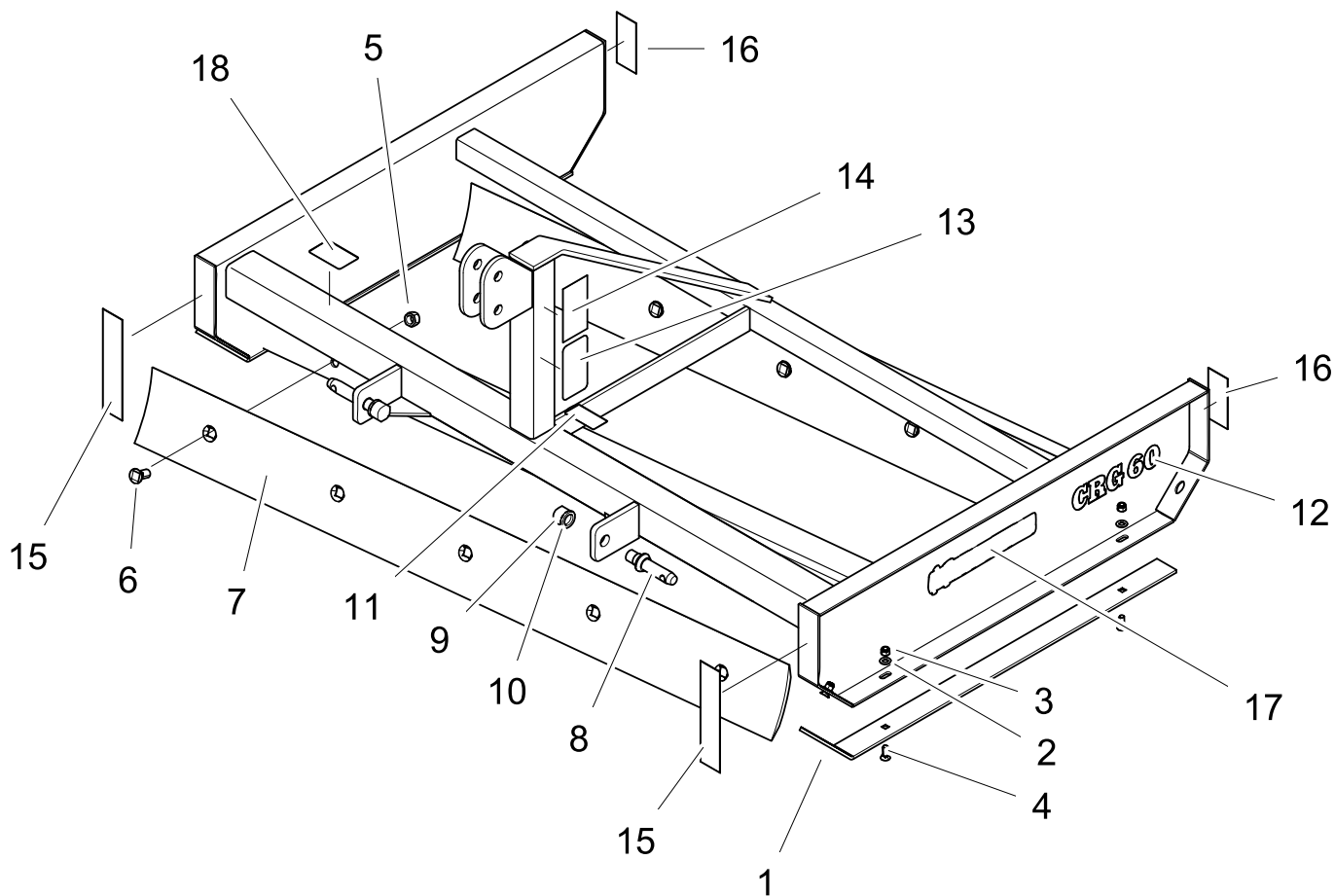
HDRG84 / HDRG96 SERIES FRAME AND RELATED PARTS



HDRG84 / HDRG96 SERIES FRAME AND RELATED PARTS

Ref. No.	Part No.	Description	Qty.	
			HDRG84	HDRG96
1	50076161	Shank w/ Plow Point Assy.	6	8
2	95152	Plow Point, Heat Treated	6	8
3	95158	Cutting Edge 83-3/4" HDRG84	2	
	99332	Cutting Edge 95-3/4" HDRG96		2
4	50076160	Cutting Edge Weldment HDRG84	2	
	50076166	Cutting Edge Weldment HDRG96		2
5	50076163	Skid		2
6	50031991	Shank Retainer Pin	6	8
7	50005861	Hair Pin	6	8
8	99342	Lift Pin Cat. II & III		2
9	2850005	Klick Pin		2
10	90959	Warning Decal		1
11	50057097	Caution Decal		1
12	00725746	Peligro Decal		1
13	50031214	Red Reflector		2
14	50031212	Amber Reflector		2
15	50076164	Model Decal HDRG84	1	
	50076167	Model Decal HDRG96		1
16	50083388	Logo Decal, Bush Hog		2
17	50072329	Plow Bolt 3/8" x 1-1/2"		10
18	15830	Flatwasher 3/8" SAE		10
19	44624BH	Hex Nut 3/8" Nylock		10
20	15093	Capscrew 1/2" x 1-1/2" Gr.5		8
21	44539BH	Hex Nut 1/2" Nylock		8
22	20475	Plow Bolt #3 Hd 5/8" x 2"	14	16
23	44336BH	Hex Nut 5/8"	14	16

CRG48 CRG60 SERIES FRAME AND RELATED PARTS



Ref. No.	Part No.	Description	Qty. Req'd.	Ref. No.	Part No.	Description	Qty. Req'd.
1	50071421	Skid	2	10	-----	Lockwasher 7/8"	2
2	-----	Flatwasher 3/8"	6	11	N/A	Serial No Decal	1
3	-----	Locknut, Nylock 3/8"	6	12	50071519	Decal CRG48	2
4	-----	Plowbolt 3/8" x 1"	6		50071527	Decal CRG60	2
5	-----	Hex Nut 5/8"	8/10	13	50057097	Caution Decal	1
6	-----	Plow Bolt 5/8" x 1-1/2"	8/10	14	90960BH	Warning Dceca	1
7	50058099	Cutting Edge 3/8" x 6" x 47-3/4"	2	15	50031212	Reflector, Amber	2
	50058098	Cutting Edge 3/8" x 6" x 59-3/4"	2	16	50031213	Reflector, Red	2
8	63765	Lift Pin Cat.1	2	17	50083392	Bush Hog Decal	2
9	-----	Locknut 7/8"	2	18	00725746	Decal, Peligro	1



BUSH HOG[®]

2501 Griffin Ave. • Selma, AL 36703
www.bushhog.com