

BUSH HOG®

LOADER MOUNT SNOWBLOWERS

Models:

SBLM66, SBLM66HD,
SBLM76, SBLM76HD,
SBLM86 & SBLM86HD

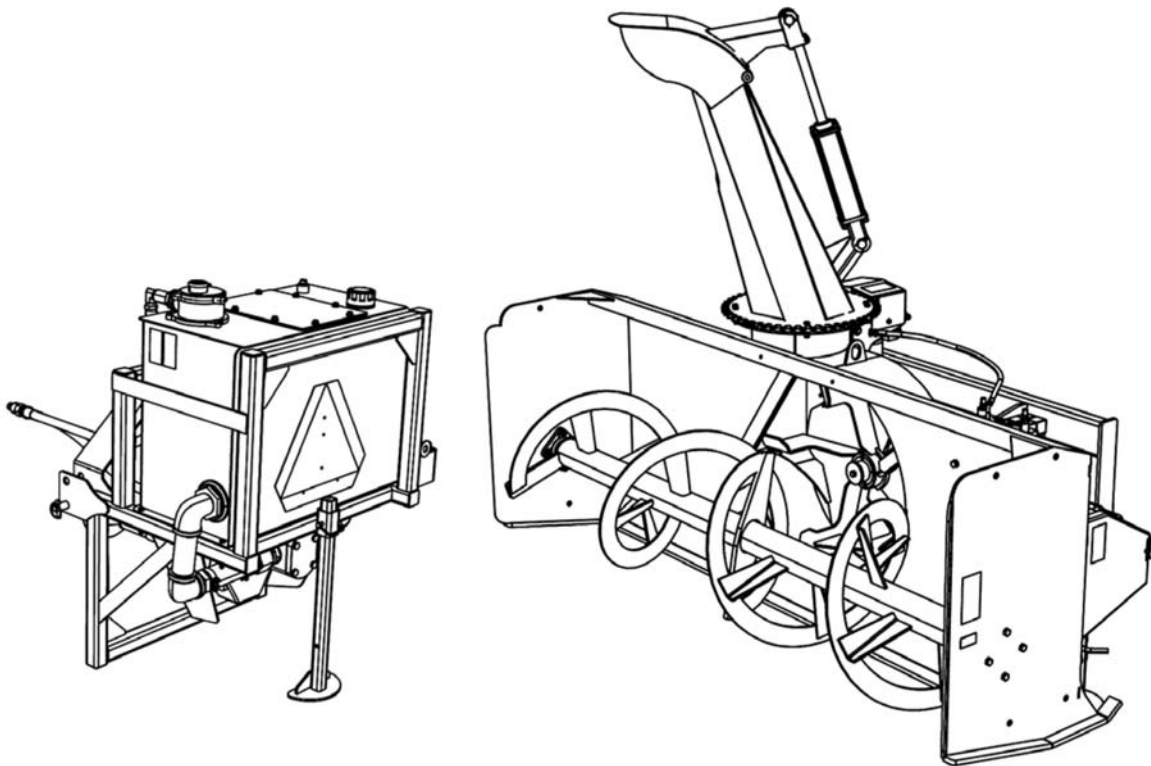
Revised 05/22

MATERIAL HANDLING PARTS MANUAL

PARTS MANUAL SECTION 57D



An Operator's Manual was shipped with the equipment . The Operator's Manual is an integral part of the safe operation of this machine and must be maintained with the unit at all times. **READ, UNDERSTAND, and FOLLOW** the Safety and Operation Instructions contained in this manual before operating the equipment. If the Operator's Manual is not with the equipment, contact your dealer or Bush Hog to obtain a Free copy before operating the equipment.



BUSH HOG®

2501 Griffin Ave.
Selma, AL 36703
Parts Ordering 1-800-304-2836
www.bushhog.com

ATENCIÓN!

LEA EL INSTRUCTIVO

Si No Lee Ingles, Pida Ayuda a Alguien
Que Si Lo Lea Para Que le Traduzca las
Medidas de Seguridad.



A MEMBER OF THE
ALAMO GROUP
ALWAYS ON THE CUTTING EDGE®

© 2021 Alamo Group Inc.

TABLE OF CONTENTS

Warranty	2
Decal Locations	57D-1-1, 57D-1-2
Hydraulic Power Pack Parts.....	57D-1-3, 57D-4-4
Loader Blower Parts.....	57D-1-5, 57D-1-6
Loader Blower Hydraulic Parts.....	57D-1-7
Hydraulic Deflector Parts.....	57D-1-8
Control Harness Parts	57D-1-9
Hydraulic Oil Cooler Parts Full Duty.....	57D-1-10

WARRANTY and LIMITATIONS of LIABILITIES

Two Year Limited Consumer Warranty Five Year Limited Consumer Warranty on Gearboxes 90 Day Limited Commercial Warranty including Gearboxes

Commercial includes rental and industrial applications.

Warranty begins at the time of customer delivery and is activated upon warranty registration receipt at Bush Hog Inc.

Keep your warranty registration in a safe place, it is required as proof of warranty activation.

This new and unused product is warranted by Bush Hog Inc. to be free from defects in material and workmanship under normal use and regular service as described in the owner's manual, for a consumer period of 2 years and 5 years for gearboxes, from the date of delivery, and commercial period of 90 days, including gearboxes, from date of delivery. Warranty is limited to the replacement of parts and / or repair of the product.

If issues develop within the warranty period with the product, contact the local dealer from which you purchased the unit. Only Bush Hog authorized dealers may make repairs to the product affect the replacement of defective parts, unless otherwise approved by Bush Hog. Repairs / replacement will be done at no charge within a reasonable time after the receipt of the product. This warranty does not cover the following items:

1. Normal replacement of service items
2. Normal maintenance or adjustments.
3. Machines or parts lost or damaged during shipment.
4. Accessory items / parts not supplied by Bush Hog.
5. Damages resulting from:
 - misuse, negligence, accident, theft or fire
 - use of improper or insufficient fuel, fluid or lubricants
 - use of after market parts or accessories, unless approved by Bush Hog
 - modifications, alteration, tampering or improper repair
 - any device or accessories installed other than an authorized dealer.

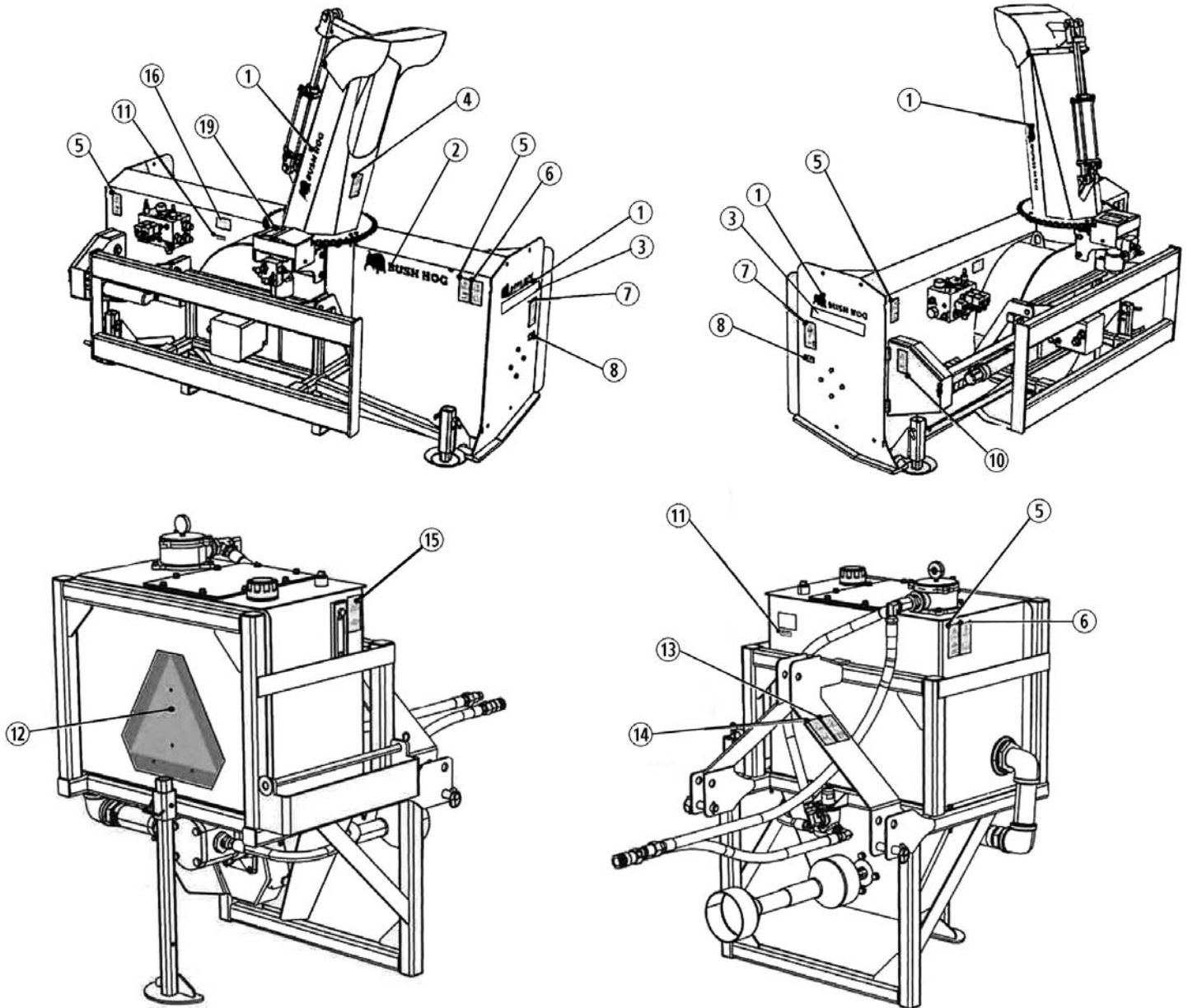
Bush Hog Inc. shall not, in any event, be liable for any losses, damages or cost: to include profits, travel, transportation, pick up, delivery, towing cost, tow vehicle, loss of us, whether special, incidental, consequential or otherwise, in any way. Unit or parts are returned at customer's expense.

Include a copy of your completed Warranty Registration Form with any claim as proof of warranty activation.

There are no warranties, expressed or implied, other than those specified here in. No agent, employee or other person has any authority to vary any of the foregoing provisions.

Warranty coverage is null and void unless the Warranty Registration form has been completed in full and is on file at Bush Hog Inc. Warranty begins at the time of customer delivery and is activated upon receipt at Bush Hog Inc.

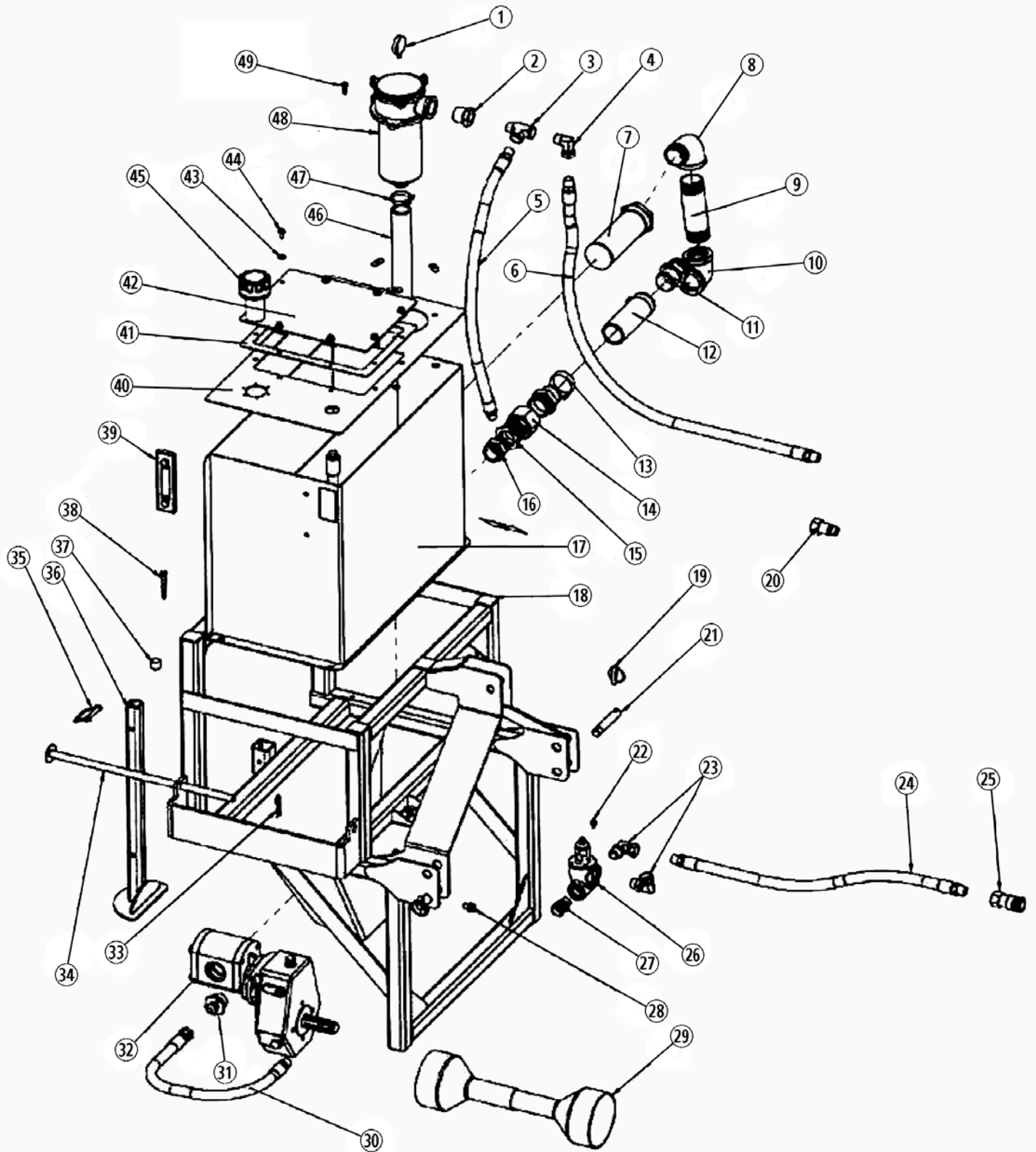
SBLM66, SBLM76, SBLM86, SBLMHD66HD, SBLM76HD, SBLM86HD SNOW BLOWER DECAL LOCATION



SBLM66, SBLM76, SBLM86, SBLMHD66HD, SBLM76HD, SBLM86HD SNOW BLOWER DECAL LOCATION

Ref, No.	Part No.	Description	Qty. Req'd.
1	50083387	Bush Hog Decal 1.5" x 9.85"	4
2	50083389	Bush Hog Decal 2.28" x 15.00	1
3	50082239	Model No. Decal SBLM66	2
	50082240	Model No. Decal SBLM66HD	2
	50082241	Model No. Decal SBLM76	2
	50082242	Model No. Decal SBLM76HD	2
	50082243	Model No. Decal SBLM86	2
	50082244	Model No. Decal SBLM86HD	2
4	50079564	Warning Decal - Keep safe distance from this machine	2
5	50079569	Warning Decal - Read Operators Manual	2
6	50079565	Warning Decal - Shut off engine and remove key before performing maintenance or repair work	2
7	50079566	Warning Decal - Stay clear of Rotating Auger	2
8	50079568	Lubrication Points Decal	3
9	50079562	Danger Decal - Do Not Open Safety Shields	1
10	50079561	Danger Decal -Do not open or remove safety shields while engine is running	1
11	- - - -	Warning Decal - P65 Warning.ca.gov.	2
12	83380	SMV Decal	1
13	50079560	Warning Decal - Stay clear of draft link lifting range while operating rockshaft controls	1
14	50079563	Danger Decal - Do not open or remove safety shields while engine is running	1
15	50079597	Danger Decal - Avoid Fluid Escaping	1

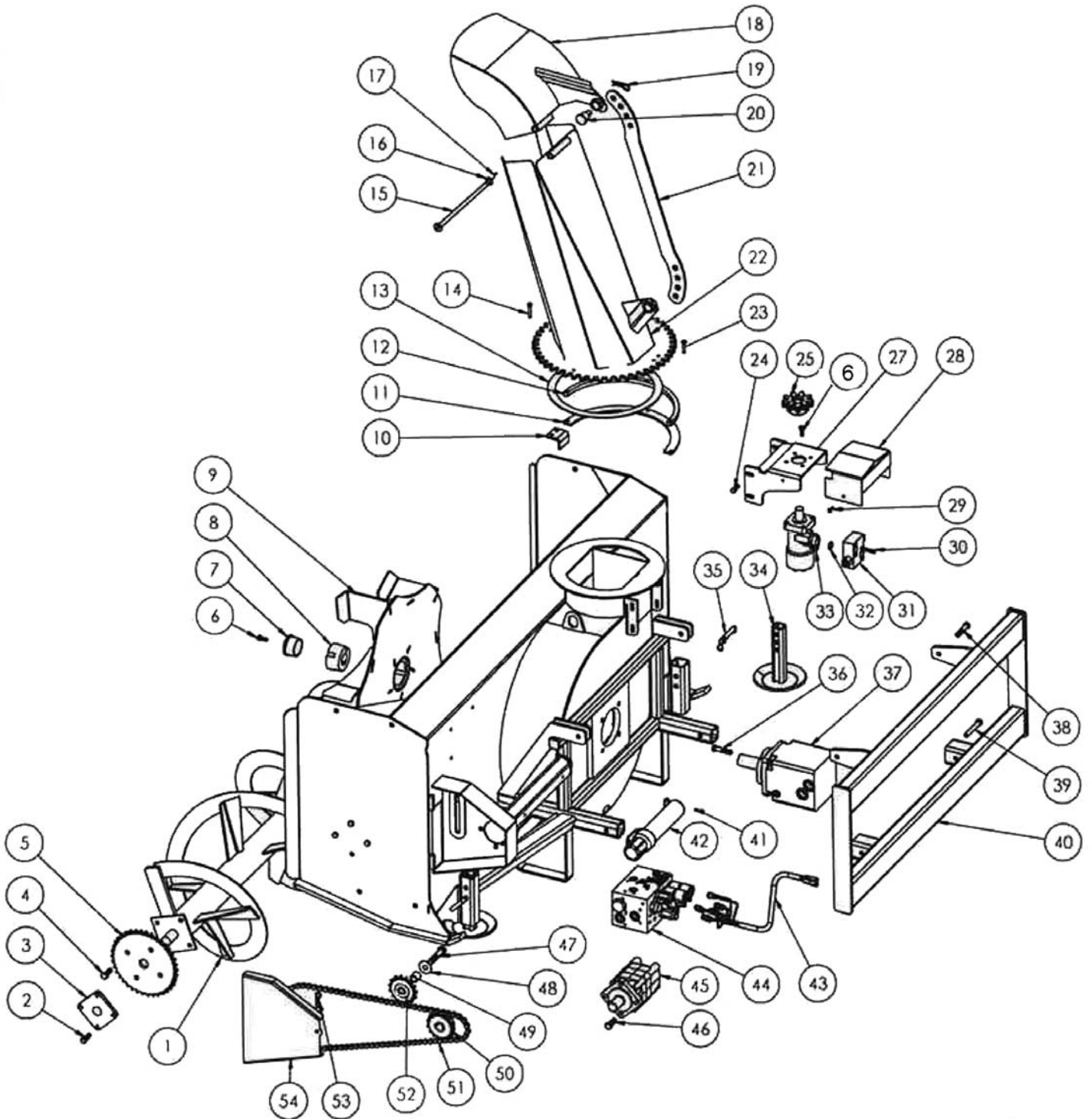
SBLM66, SBLM76, SBLM86 SBLM66HD, SBLM76HD, SBLM86HD SNOWBLOWER HYDRAULIC POWER PACK PARTS



**SBLM66, SBLM76, SBLM86
SBLM66HD, SBLM76HD, SBLM86HD
SNOWBLOWER
HYDRAULIC POWER PACK PARTS**

REF. NO.	PART NO.	DESCRIPTION	QTY.
1	50082157	Filter Indicator Gauge	1
2	50082158	Adapter	1
3	50082159	Adapter Tee	1
4	50082160	Adapter Elbow	1
5	50082161	Relief Valve Return Hose	1
6	50082162	Return Hose	1
7	50082163	Suction Strainer	1
8	50082164	2" 90° Street Elbow	1
9	50082165	2" x 7" Blk Std. Nipple	1
10	50082166	2" Black Pipe Elbow	1
11	50082167	2" Barb-2 Male Pipe Straight Connector	2
12	50082168	Pump Suction Hose	1
13	-----	59-63 MM Heavy Duty Hose Clamp	2
14	50082169	5000-3232 Female NPT Coupling	1
15	50082170	2" x 1-1/2" Blk. Pipe Hex HD Reducer Bushing	1
16	50082171	Male ORB X Male NPT Adapter Straight	1
17	50082172	Tank Hydraulic Oil	1
18	50082173	Main Frame	1
19	-----	7/16" Lynch Pin	2
20	50079557	Flat Face Coupler	1
21	50082174	Hitch Pin	2
22	-----	M8 x 16MM Bolt C/W 5/16" LW	4
23	50082175	Adapter Elbow	2
24	50082176	Main Pressure Hose	1
25	50079556	Flat Face Coupler	1
26	50082177	Relief Valve	1
27	50082178	1-1/16"-12 Male ORB x 3/4"-14 NPSM	1
28	-----	M12 x 1/75 x 20 Bolt C/W 1/2" LW	4
29	50079151	PTO Driveline	1
30	50082179	Pump To Relief Valve Hose	1
31	50082189	Adapter	1
32	50082190	Hydraulic Pump C/W Gearbox	1
33	-----	5/32" Hair Pin	1
34	50082191	Weight Lock Pin	2
35	-----	3/8" PTO Pin	1
36	50082192	Stand	1
37	50082193	Magnetic Plug	1
38	-----	Bolt 3/8" x 3" C/W LW N	4
39	50082194	Oil Level Gauge	1
40	50082195	Tank Lid	1
41	50082196	Lid Gasket	1
42	50082197	Lid Oil Tank	1
43	-----	5/16" Sealing Washer	8
44	-----	Bolt 5/16" x 3/4" Hex Flange Serrated	8
45	50082198	Filter Breather	1
46	50082199	Drop Hose	1
47	-----	#24 Hose Clamp 1-1/2"	1
48	50082200	Return Line Filter	1
49	-----	Bolt 3/8" x 1" C/W LW	3

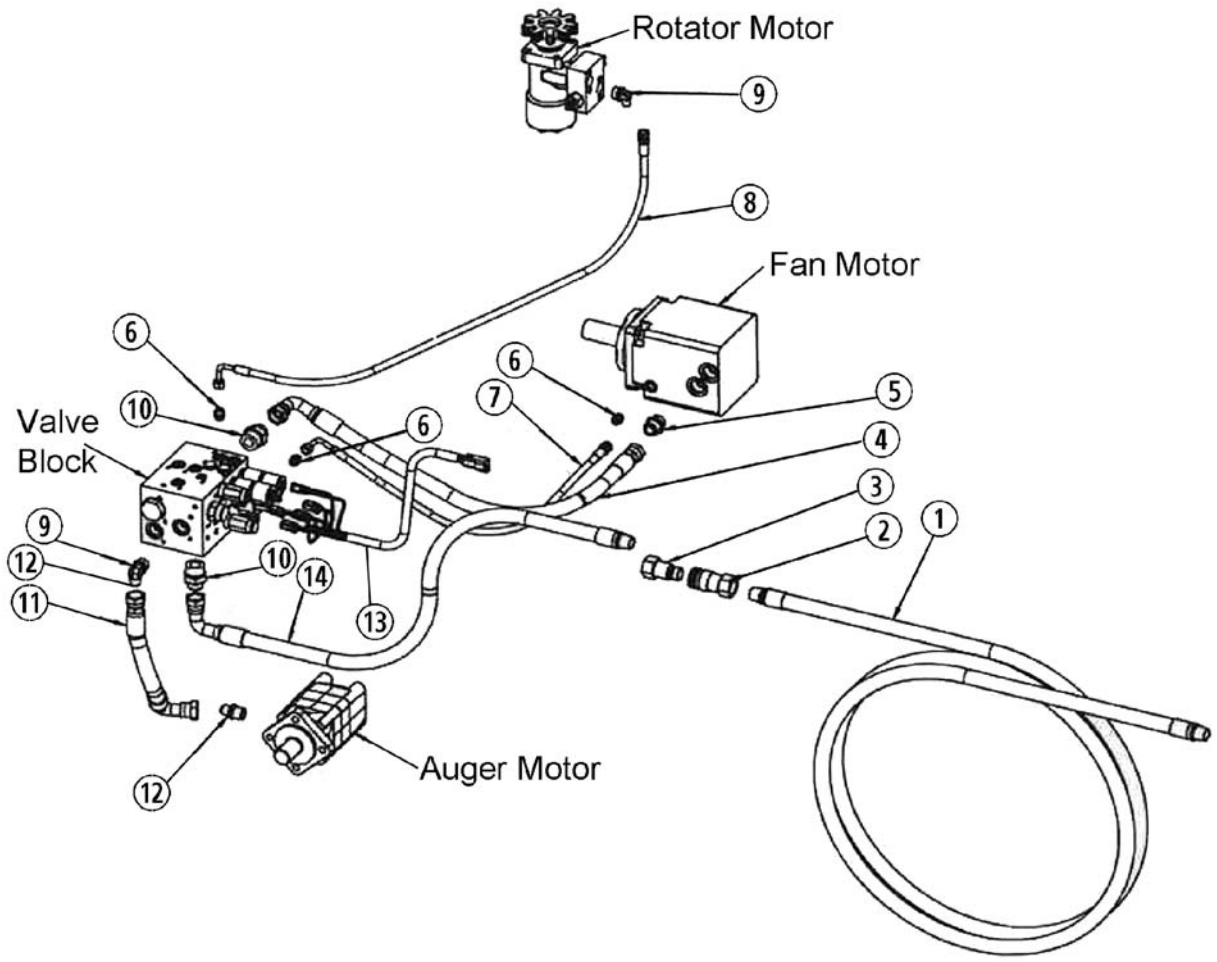
SBLM66, SBLM76, SBLM86 SBLM66HD, SBLM76HD, SBLM86HD SNOWBLOWER LOADER BLOWER PARTS



SBLM66, SBLM76, SBLM86 SBLM66HD, SBLM76HD, SBLM86HD SNOWBLOWER LOADER BLOWER PARTS

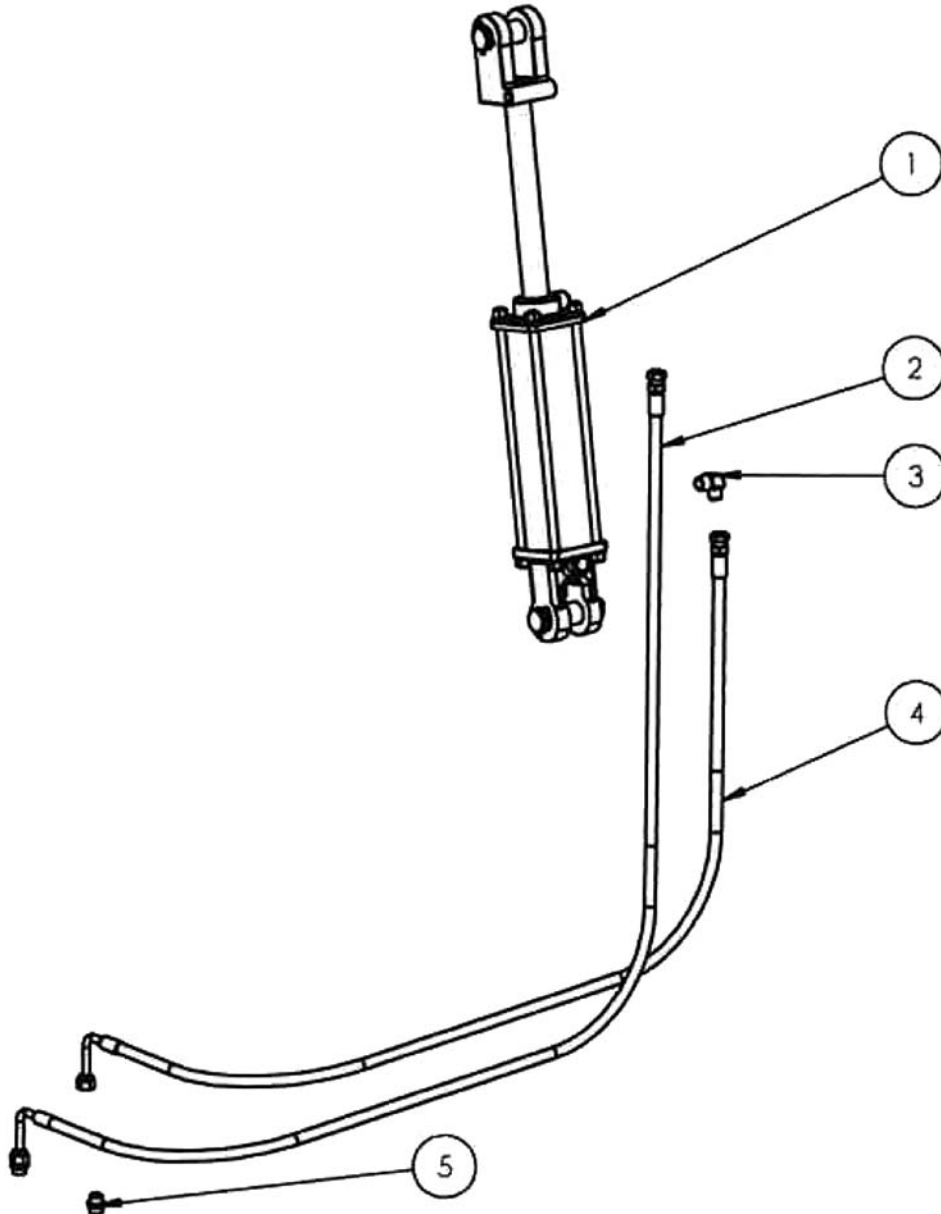
REF. NO.	PART NO.	DESCRIPTION	QTY.
1	50082202	66" Auger (SBLM66, SBLM66HD)	1
	50082217	76" Auger (SBLM76, SBLM76HD)	1
	50082219	86" Auger (SBLM86, SBLM86HD)	1
2	-----	Bolt 7/16" x 1-1/2" C/W LW, N	1
3	50079375	Bearing	1
4	-----	Bolt 1/2" x 1-1/2" C/W LW, N	8
5	50079392	Auger Sprocket	2
6	-----	3/8" x 1" C/W LW	8
7	50082203	Fan Retainer	1
8	50082204	Taperlock Hub	1
9	50082205	Fan	1
10	50079294	Chute Stop	1
11	50079227	Lower Chute Clamp	2
12	50079226	Chute Clamp Spacer	2
13	50079376	Anti Friction Ring	1
14	-----	Bolt 5/16" x 1-3/4" C/W LW, N	2
15	50079223	2 x 1, 1/2" Blk. Pipe Hex HD Reducer Bushing	1
16	-----	1/2" SAE Washer	1
17	-----	1/8" x 1" Cotter Pin	1
18	50079282	Deflector	1
19	-----	Hair Pin 5/32"	2
20	50079230	Deflector Adjuster Pin	2
21	50079199	Deflector Adjuster Bar	1
22	50079281	Chute	1
23	-----	Bolt 5/16" x 1-1/2" C/W LW, N	4
24	-----	Bolt 3/8" x 1-1/4" C/W (2) FW, LW, N	4
25	50079377	Chute Rotator Gear	1
27	50082206	Chute Rotator Mount	1
28	50082207	Rotator Shield	1
29	50079151	Bolt 1/4" x 3/4" C/W LW, N	2
30	50082179	Socket HD Cap Screw 5/16" x 1-1/2"	4
31	50079385	Relief Valve	1
32	-----	O-Ring 3/32 x .75 ID	2
33	50079384	Rotator Motor	1
34	50079228	Skid Shoe	2
35	-----	1/2" Bent Pin	2
36	-----	Bolt 1/2" x 2-1/4" C/W LW, N	4
37	50082208	Fan Motor	1
38	-----	Bolt 1/2" x 3-1/2" C/W LW, N	2
39	-----	Bolt 1/2" x 2-1/2" C/W LW, N	2
40	50082209	Loader Bracket Blank	1
41	-----	Flange Bolt 1/4" x 3/4"	2
42	50072113	Manual Tube	1
43	50079374	Blower Wiring Harness	1
44	50079173	Valve Block	1
45	50082210	Auger Motor	1
46	-----	Bolt 1/2" x 1-1/2" C/W LW	4
47	-----	Bolt 5/8" x 3" C/W FW, LW, N	1
48	-----	Flatwasher, 5/8"	2
49	50082211	Spacer	1
50	50082212	Auger Motor Sprocket	1
51	50082213	Auger Drive Chain	1
52	50082214	Idler Sprocket	1
53	-----	1/8" Hair Pin	1
54	50082215	Chain Cover	1

SBLM66, SBLM76, SBLM86 SBLM66HD, SBLM76HD, SBLM86HD SNOWBLOWER LOADER BLOWER HYDRAULIC PARTS



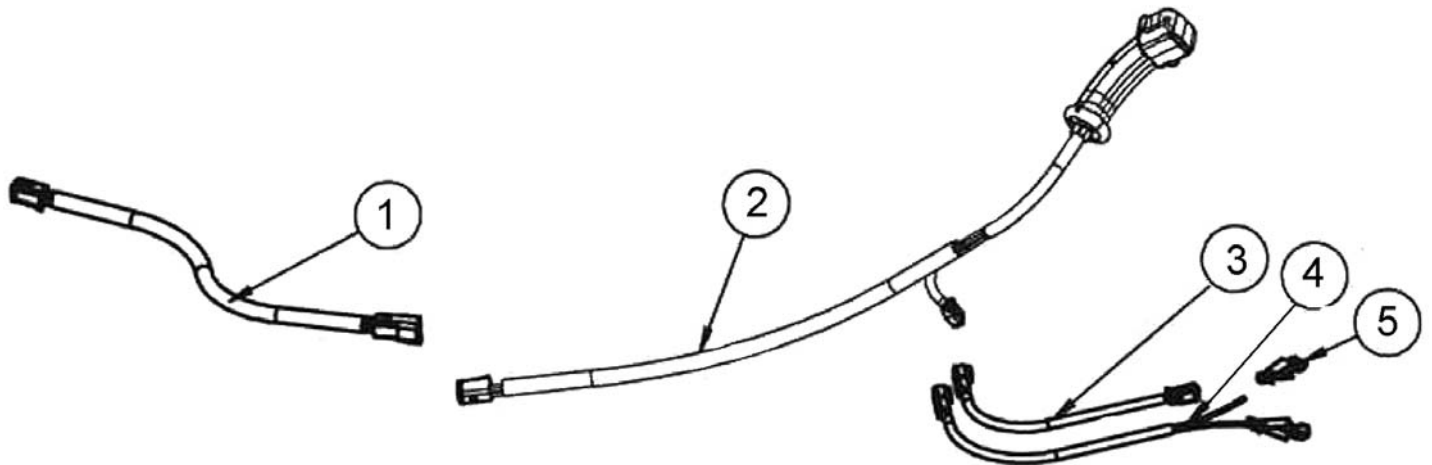
Ref. No.	Part No.	Description	Qty. Req'd.
1	50082221	Main Tractor Hose	2
2	50079556	Female Flat Face Coupler	3
3	50079557	Male Flat Face Coupler	3
4	50079288	Fan Motor Hose	2
5	50079549	Hyd. Adapter	2
6	50079546	Hyd. Adapter	4
7	50079291	Case Drain Hose	1
8	50079285	Rotator Motor Hose	2
9	50079552	Hyd. Adapter	4 (SBLM66, SBLM66HD)
	50079552	Hyd. Adapter	2 (SBLM76, SBLM76HD, SBLM86, SBLM86HD)
10	50079550	Hyd. Adapter	4
11	50082223	Auger Motor Hose	1
12	50082222	Hyd. Adapter	2 (SBLM66, SBLM66HD)
	50082222	Hyd. Adapter	4 (SBLM76, SBLM76HD, SBLM86, SBLM86HD)
13	50079374	Blower Wiring Harness	1
14	50079284	Main Blower Hose	2
15	50082224	Auger Motor Hose	1 (item not shown)

SBLM66, SBLM76, SBLM86 SBLM66HD, SBLM76HD, SBLM86HD SNOWBLOWER HYDRAULIC DEFLECTOR PARTS



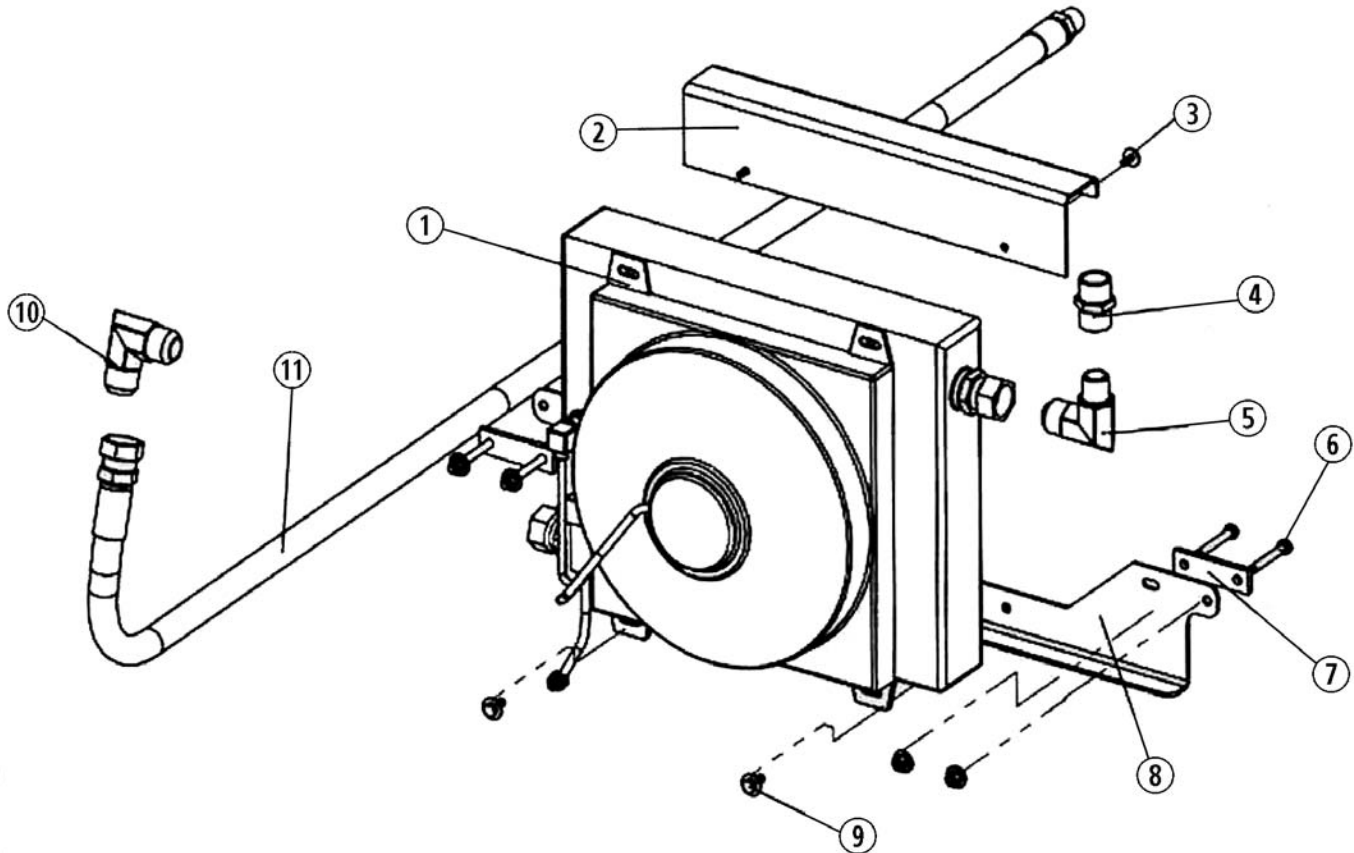
Ref. No.	Part No.	Description	Qty. Req'd.
1	50079390	Hydraulic Cylinder 2-1/2" x 8"	1
2	50079287	Long Deflector Hose	1
3	50079454	Hyd. Adapter	2
4	50079286	Short Deflector Hose	1
5	50079546	Hyd. Adapter	2

SBLM66, SBLM76, SBLM86 SBLM66HD, SBLM76HD, SBLM86 SNOWBLOWER CONTROL HARNESS PARTS



Ref. No.	Part No.	Description	Qty.
1	50082227	Controller Extension Wire	1
2	50079381	Controller	1
3	50082228	Battery Cable Extension	1
4	50079382	Battery Wire	1
5	50079391	Battery Clamps	2

SBLM66HD, SBLM76HD & SBLM86HD SNOWBLOWER HYDRAULIC OIL COOLER PARTS - FULL DUTY



Ref. No.	Part No.	Description	Qty. Req'd.
1	50082230	Oil Cooler Radiator and Fan	1
2	50082231	Upper Mount	1
3	-----	M6 x 16MM C/W, 1/4" FW	2
4	50082232	3/4" x 3/4" Female NPT Coupling	1
5	50082245	Elbow adapter	1
6	-----	5/16" x 3" Bolt C/W FW, LW N	4
7	50082234	Clamp	2
8	50082235	Lower Mount Bracket	1
9	-----	5/16" x 3/4" Bolt C/W FW, LW, N	2
10	50082236	Elbow Adapter	1
11	50082237	3/4" x 72 Hose	1



BUSH HOG[®]

2501 GRIFFIN AVE. • SELMA, AL 36703
WWW.BUSHHOG.COM