



BUSH HOG®

BCSS SERIES SKID STEER BRUSH CUTTER

CLOSED FRONT MODELS:
BCSS-60, BCSS-60LF, BCSS-72, BCSS-72LF,
BCSS-72HF, BCSS-90, BCSS-90HF

OPEN FRONT MODELS:
BCSS-S601, BCSS-S601LF, BCSS-S721, BCSS-S721LF,
BCSS-721, BCSS-721HF, BCSS-721LF

Revised 11/23

PARTS MANUAL SECTION 130



An Operator's Manual was shipped with the equipment. The Operator's Manual is an integral part of the safe operation of this machine and must be maintained with the unit at all times. **READ, UNDERSTAND, and FOLLOW** the Safety and Operation Instructions contained in this manual before operating the equipment. If the Operator's Manual is not with the equipment, contact your dealer or Bush Hog to obtain a copy before operating the equipment.

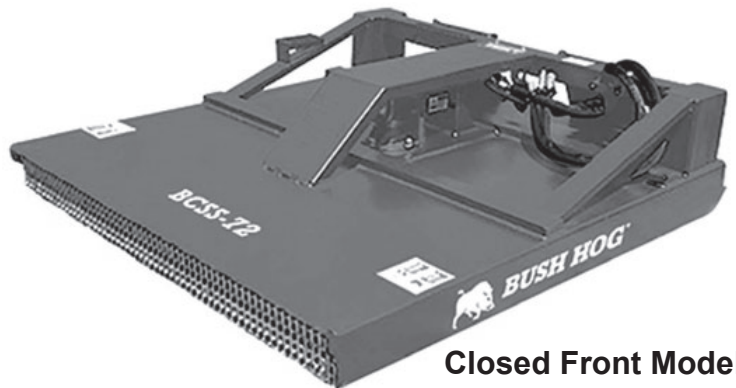
Important Operating and Safety Instructions are found in the Mower Safety Video that can be instantly accessed on the Internet at: www.algqr.com/bve

Safety Video



www.algqr.com/bve

Open Front Model



Closed Front Model

BUSH HOG®

2501 Griffin Ave.
Selma, AL 36703
Parts Ordering 1-800-304-2836
www.bushhog.com

ATENCIÓN!

LEA EL INSTRUCTIVO

Si No Lee Ingles, Pida Ayuda a Alguien
Que Si Lo Lea Para Que le Traduzca las
Medidas de Seguridad.



**MEMBER OF THE
ALAMO GROUP**
ALWAYS ON THE CUTTING EDGE®

PARTS ORDERING GUIDE

The following instructions are offered to help eliminate needless delay and error in processing purchase orders for the equipment in this section.

1. The Parts Section is prepared in logical sequence and grouping of parts that belong to the basic machine featured in this manual. Part Numbers and Descriptions are given to help locate the parts and quantities required.
2. The Purchase Order must include the name and address of the person or organization ordering the parts, who should be charged, and if possible, the serial number of the machine for which the parts are ordered.
3. The Purchase Order must clearly list the quantity of each part, the complete and correct part number (be sure to include all periods), and the basic name of the part.
4. The Manufacturer reserves the right to substitute parts where applicable.
5. Some parts are unlisted items which are special production items not normally stocked and are subject to special handling. Request a quotation for such parts before sending a Purchase Order.
6. The Manufacturer reserves the right to change prices without prior notice.



For maximum safety and to guarantee optimum product reliability, always use genuine BUSH HOG Parts. The use of inferior replacement parts may cause premature or catastrophic failure which could result in serious injury or death. Direct any questions regarding parts to:

BUSH HOG
2501 Griffin Ave.
Selma, AL. 36703
www.bushhog.com
Contact Us
800-304-2836



BUSH HOG®

To the Owner/Operator/Dealer

All implements with moving parts are potentially hazardous. There is no substitute for a cautious, safe-minded operator who recognizes the potential hazards and follows reasonable safety practices. The manufacturer has designed this implement to be used with all its safety equipment properly attached to minimize the chance of accidents.




BEFORE YOU START! Read the safety messages on the implement and shown in your manual. Observe the rules of safety and common sense!

! DANGER

FAILING TO FOLLOW SAFETY MESSAGES AND OPERATING INSTRUCTION CAN CAUSE SERIOUS BODILY INJURY OR EVEN DEATH TO OPERATOR AND OTHERS IN THE AREA.

<p>1.</p> 	<p>2. NO RIDERS. NO CHILDREN OPERATORS</p> 	<p>3. USE SAFETY SHOES, HARD HAT, SAFETY GLASSES, SEAT BELTS, ROPS & OPS.</p> 	<p>4. BLOCK UP SECURELY BEFORE WORKING UNDER.</p> 
---	--	--	---

1. Study and understand Operator's Manuals, Safety Decals, and Instructional Decals for tractor and implement to prevent misuse, abuse, and accidents. Practice before operating in a confined area or near passersby.
 - Learn how to stop engine suddenly in an emergency. Be alert for passersby and especially children.
2. Allow no children on or near folding mower or tractor. Allow no riders on tractor or implement. Falling off may cause serious injury or death from being run over by tractor or mower or contact with rotating blades.
3. Operate only with tractor having Roll-Over Protective Structure (ROPS) and with seat belt securely fastened to prevent injury and possible death from falling off or tractor overturn.
 - Personal Protective Equipment such as Hard Hat, Safety Glasses, Safety Shoes, & Ear Plugs are recommended.
4. Block up or support raised machine and all lifted components securely before putting hands or feet under or working underneath any lifted component to prevent crushing injury or death from sudden dropping or inadvertent operation of controls. Make certain area is clear before lowering or folding.
5. Before transporting, put Lift Lever in detent or full-lift position. Install Transport Safety Devices securely on folding mowers. Put Booms securely in Transport Rest.
 - Folding and Boom Mowers have raised center of gravity. Slow down when turning and on hillsides.
6. Make certain that SMV sign, warning lights, and reflectors are clearly visible. Follow local traffic codes.
7. Never operate with Cutting Head or Folding Section raised if passersby, bystanders, or traffic are in the area to reduce possibility of injury or death from objects thrown by Blades under Guards or mower structure.
8. Before dismounting, secure implement in transport position or lower to ground.
 - Put tractor in park position or set brake, disengage PTO, stop engine, remove key, and wait until noise of rotation has ceased to prevent crushing by entanglement in rotating parts which could cause injury or death.
 - Never mount or dismount a moving vehicle. Crushing from rollover may cause serious injury or death.

<p>5. TRANSPORT SAFELY, LOCK UP.</p> 	<p>6. USE SMV, LIGHTS, & REFLECTORS.</p> 	<p>7. DO NOT OPERATE WITH CUTTER OR WING RAISED</p> 	<p>8. DO NOT MOUNT OR DISMOUNT WHILE MOVING.</p> 
--	--	--	--

02967827

WARNING

Cancer and Reproductive Harm

www.P65Warnings.ca.gov

WARRANTY INFORMATION:

Read and understand the complete Warranty Statement found in this Manual. Fill out the Warranty Registration Form in full and return it to within 30 Days. Make certain the Serial Number of the Machine is recorded on the Warranty Card and on the Warranty Form that you retain.

WARRANTY

WARRANTY INFORMATION:

A Warranty claim must be completed in full detail and submitted by an authorized Bush Hog dealer. Bush Hog limits its warranty to the hydraulic motor for eighteen (18) months and the gearbox for a period of one (1) year from the original date of sale. A three (3) year warranty is included on the structural steel from the date of sale.

It is important that the dealer register this equipment at the time of sale. This will ensure no issues should a warranty claim ever need to be filed. If a defect in a Bush Hog product is discovered during the applicable warranty period, Bush Hog will repair or replace, at its discretion the motor, gearbox or defective part. Bush Hog purchased components are subject to the original manufacturer's warranty.

The equipment owner is responsible for proper maintenance. If the product is not maintained, all warranties by Bush Hog will be null and void. Any modification to the product other than those made by Bush Hog will cause this warranty to be void; including any modification or disassembly of motors, gearbox, etc.

This warranty does not extend to repairs, adjustments, or replacement of a Bush Hog or part that results from misuse, negligence, alteration, modification, tampering, improper maintenance or improper operation of the product. Claims submitted must be legible and in good condition. Bush Hog does not cover service mileage, downtime or replacement of the attachment.

If a problem arises during the warranty period please contact your local dealer. The warranty is null and void if the product is modified or repaired without written consent from Bush Hog. Bush Hog units used in rental fleets are covered with a ninety (90) day warranty on the hydraulic motor, gearbox, and structural steel with a valid warranty registration on file within thirty (30) days of the purchase date.

To file a warranty claim, please contact your dealer.

TABLE OF CONTENTS

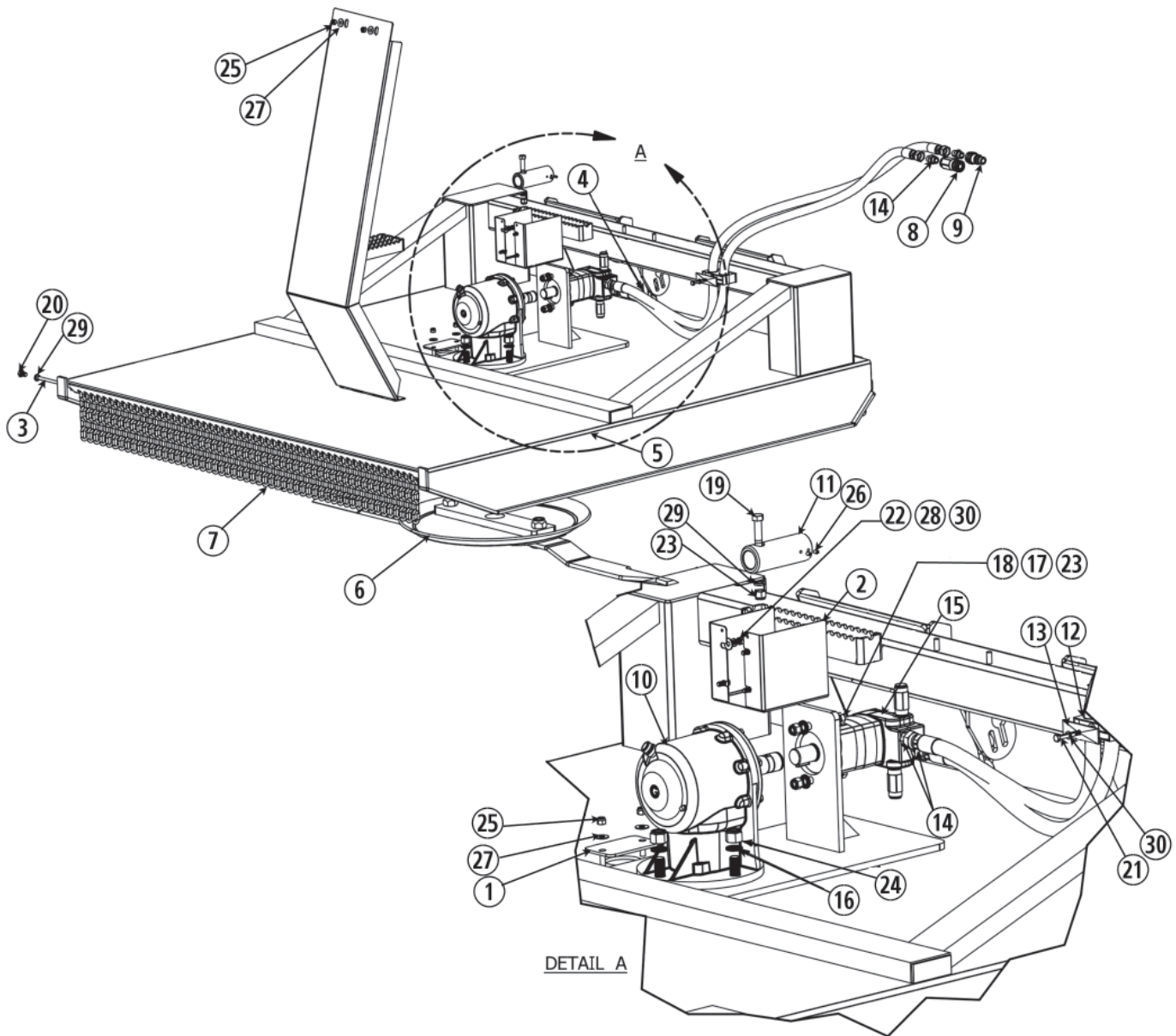
BCSS BRUSH CUTTER SKID STEER

CONTENTS	PAGE
BCSS60 & BCSS-60LF.....	130-1-1, 130-1-2
BCSS72 & BCSS-72LF.....	130-1-3, 130-1-4
BCSS-72HF.....	130-1-5, 130-1-6
BCSS-90.....	130-1-7, 130-1-8
BCSS-90HF.....	130-1-9, 130-1-10
BCSS- S601 & BCSS-S601LF.....	130-1-11, 130-1-12
BCSS- S721 & BCSS-S721LF.....	130-1-13, 130-1-14
BCSS- 721 & BCSS-721LF.....	130-1-15, 130-1-16
BCSS-721HF.....	130-1-17, 130-1-18
Blade Carrier Parts.....	130-2-1
(BCSS-60, BCSS-60LF, BCSS-72, BCSS-72HF, BCSS-72LF)	
Blade Carrier Parts.....	130-2-2
(BCSS-90, BCSS-90HF)	
Blade Carrier Parts.....	130-2-3
(BCSS-S601, BCSS-S601LF, BCSS-S721, BCSS-S721LF, BCSS-721, BCSS-721HF, BCSS-72LF)	
Decals.....	130-3-1
(BCSS-60, BCSS-60LF, BCSS-72, BCSS-72HF, BCSS-72LF)	
Decals.....	130-3-2
(BCSS-90, BCSS-90HF)	
Decals.....	130-3-3
(BCSS-S601, BCSS-S601LF, BCSS-S721, BCSS-S721LF)	
Decals.....	130-3-4
(BCSS-721, BCSS-721LF, BCSS-721HF)	

BCSS-60 & BCSS-60LF BRUSH CUTTER SKID STEER

Item No.	Part No.	Description	Qty.	
1	-----	Weldment, Frame BCSS-60	1	
2	50082342	Plate, Acess, 2 Hole, 5.25" x 3.25" x .25	1	
3	50082343	Weldment, Blade Carrier, 25.00 Dia. x .313	1	
4	50082347	Guard, Coupling, STD.	1	
5	50082348	Rod, Round, .375 x 59.00	1	
6	50082349	Hose Whip Assy., - 8 ORFS, F SWV Coupling .75" x 78.00" Hose	2	
7	50082350	Motor, 6.2 Cu In. SAE "A" 2 Bolt 7/8-14 SAE OR BO Ports. 1.250 Dia. x 1.250 Keyed Shaft, BCSS-60	1	
8	50082351	Chain, .313, 5 Link Proof Coil	46	
9	50082352	Coupler, FLT. 1/2F, 7/8-14, O-Ring Boss	1	
10	50082353	Coupler, FLT. F, 1/2 M, 7/8-14, O-Ring Boss	1	
11	50082354	Gearbox, 62HP, 1:1.46 Ratio (STD Flow),BCSS-60	1	
	50082363	Gearbox, 62HP, 1:1.93 Ratio (Low Flow),BCSS-60LF		
12	50082355	Coupling, STD. 125 Motor, 1.375 GB, 5.500	1	
13	50082356	Clamp, Body, Two Piece, 30MM, 2 Hose	1	
14	50082357	Cover, Plate, Clamp, 30MM, 2 Hose	1	
15	50082358	Adapter, STR., #8 MORFS, #10 MORB	4	
16	1161006	Bolt, HH 5/16"-18 x 3/4" GR. 5, Zinc	4	
17	20504	Bolt, HH, 5/16" x 2-1/2" GR. 5, Zinc	1	
18	44588BH	Bolt, HH, 1/2"-13 x 3/4" Gr. 5 Zinc	1	
19	20110BH	Bolt, HH, 1/2"-13 x 2" Gr. 5, Zinc	2	
20	50082359	Bolt, HH, 1/2"-13 x 3" GR. 2, Zinc	1	
21	44624BH	Nut, Nylock 3/8"-16, Zinc	4	
22	44539BH	Nut, Nylock 1/2"-13, Zinc	3	
23	50082536	Nut, Nylock 3/4"-10, Zinc	4	
24	50082537	Setscrew CP 1/4"-20 x 3/8", Zinc	2	
25	15925	Washer, Flat, 5/16" Zinc	4	
26	15915BH	Washer, Flat, 3/8" Zinc	4	
27	50082360	Washer, Nord-Lock, .500 x 1.00 OD, Zinc	2	
28	50082361	Washer, Nord-Lock, .750 x 1.210 OD, Zinc	4	
29	15808	Washer, Spring-Lock, 5/16" Zinc	5	
30	15806	Washer, Spring-Lock, .500 Zinc	2	
31	50082406	Motor Seal Kit (6.2 & 8.0 Motors)	1	item not shown
32	50082404	Input Seal, Gearbox	1	item not shown
33	50082405	Output Seal, Gearbox	1	item not shown

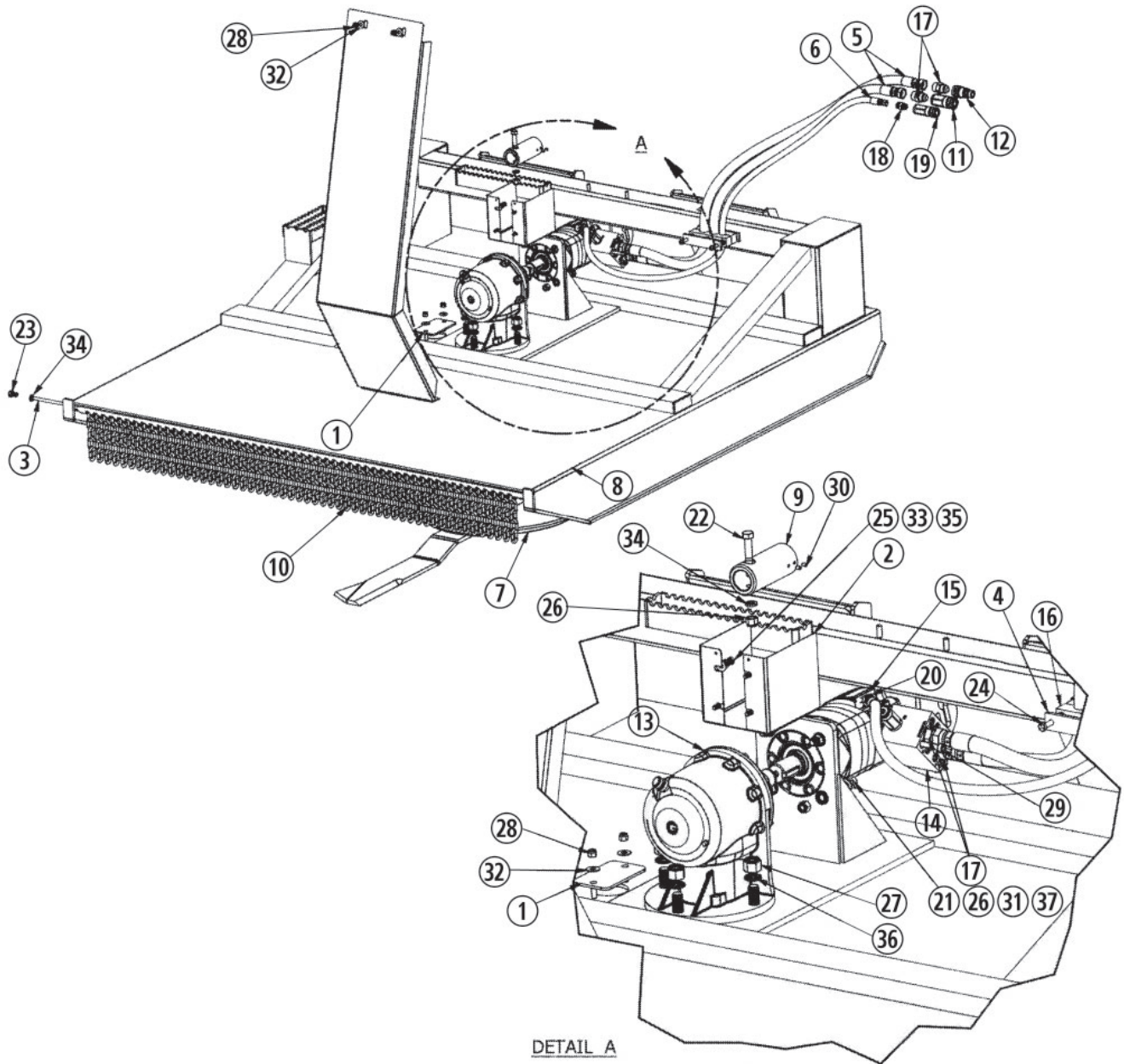
BCSS-72 & BCSS-72LF BRUSH CUTTER SKID STEER



BCSS-72 & BCSS-72LF BRUSH CUTTER SKID STEER

Item No.	Part No.	Description	Qty.	
1	50082342	Plate, Access, 2 Hole, 5.25 x 3.25 x .25	1	
2	50082347	Guard, Coupling, STD.	1	
3	50082364	Rod, Round, .375 x 71.00	1	
4	50082349	Hose, Whip Assy - 8 ORFS, FW SWV Coupling .75 x 78.00 Hose	2	
5	-----	Weldment, Frame	1	
6	50082343	Weldment, Blade Carrier, 25.00 Dia. x .313	1	
7	50082351	Chain, .313, 5 Link Proof Coil	55	
8	50082352	Coupler, FLT. 1/2 F, 7/8-14, O-Ring Boss	1	
9	50082353	Coupler, FLT. F, 1/2 M, 7/8-14, O-Ring Boss	1	
10	50082354	Gearbox, 62HP, 1:1.46 Ratio (STD Flow), BCSS-72	1	
	50082363	Gearbox, 62HP, 1:1.93 Ratio (Low Flow), BCSS-72LF	1	
11	50082355	Coupling, STD. 125 Motor, 1.375 GB, 5.500	1	
12	50082356	Clamp, Body, Two Piece, 30MM, 2 Hose	1	
13	50082357	Cover, Plate, Clamp, 30MM, 2 Hose	1	
14	50082358	Adapter, STR., #8 MORFS, #10 MORB	4	
15	50082362	Motor, 8.0 CU IN, SAE "A" 2 Bolt, 7/8-14 OR Ports 1.250 Dia x 1.250 Keyed Shaft, 3500/750 Relief	1	
16	50082361	Washer, Nord-Lock, .750 x 1.210 OD, Zinc	4	
17	50082360	Washer, Nord-Lock, .500 x 1.00 OD, Zinc	2	
18	20110BH	Bolt, HH, 1/2"-13 x 2" Gr. 5, Zinc	2	
19	50082359	Bolt, HH, 1/2"-13 x 3" GR. 2, Zinc	1	
20	44588BH	Bolt, HH, 1/2-13 x 3/4 GR. 5, Zinc	1	
21	20504	Bolt, HH, 5/16-18 x 2-1/2 GR. 5 Zinc	1	
22	1161006	Bolt, HH, 5/16-18 x 3/4 GR. 5, Zinc	4	
23	44539BH	Nut, Nylon 1/2-13, Zinc	3	
24	50082536	Nut, Nylock 3/4-10, Zinc	4	
25	44624BH	Nut, Nylock 3/8-16, Zinc	4	
26	50082537	Setscrew, CP 1/4-20 x 3/8	2	
27	15915BH	Washer, Flat 3/8 Zinc	4	
28	15925	Washer, Flat, 5/16 Zinc	4	
29	15806	Washer, Spring-Lock, .500 Zinc	2	
30	15808	Washer, Spring-Lock, 5/16" Zinc	5	
31	50082406	Motor Seal Kit (6.2 & 8.0 Motors)	1	item not shown
32	50082404	Input Seal, Gearbox	1	item not shown
33	50082405	Output Seal, Gearbox	1	item not shown

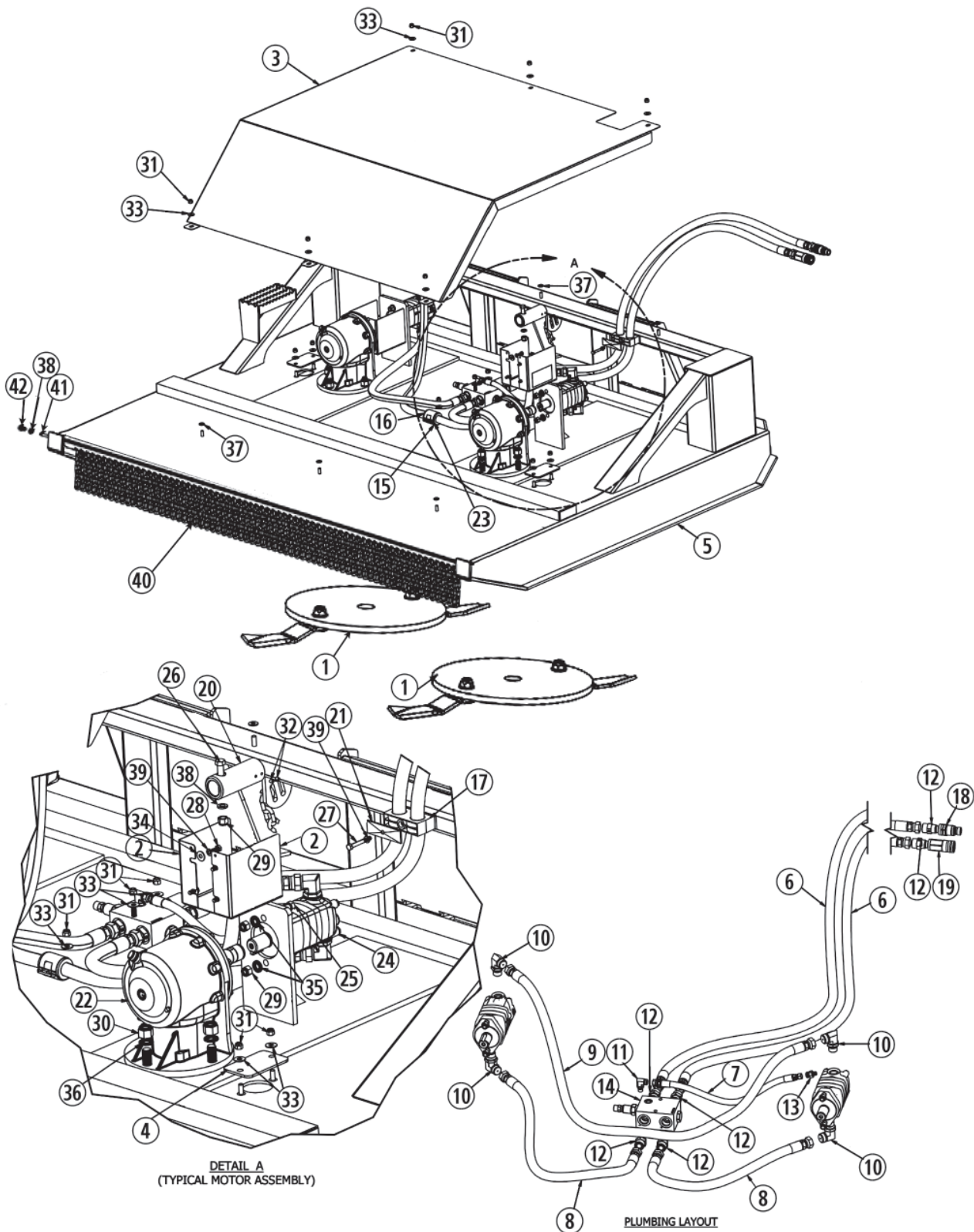
BCSS-72HF BRUSH CUTTER SKID STEER



BCSS-72HF BRUSH CUTTER SKID STEER

Item No.	Part No.	Description	Qty.	
1	50082342	Plate, Access, 2 Hole, 5.25 x 3.25 x .25	1	
2	50082347	Guard, Coupling, STD.	1	
3	50082364	Rod, Round, .375 x 71.00	1	
4	50082366	Plate, Stauff, 3 Hole Cover, 1.25 x 5.875	1	
5	50082367	Hose, Whip Assy - 12 ORFS, F SWV Coupling .75 x 78.00 Hose	2	
6	50082368	Hose, Whip Assy - 6 ORFS, F SWV Coupling .375 MFG x 78.00 Hose	1	
7	50082343	Weldment, Blade Carrier, 25.00 Dia. x .313	1	
8	-----	Weldment, Frame, BCSS-72HF	1	
9	50082369	Coupling, HF, 1.500 Motor, 1.375 GB, 5.500	1	
10	50082351	Chain, .313, 5 Link, Proof Coil	55	
11	50082370	Coupler, FLT. F, 5/8 F, 1-1/16-12, O-Ring Boss	1	
12	50082371	Coupler, FLT. F, 5/8 M, 1-1/16-12, O-Ring Boss	1	
13	50082354	Gearbox, 62 HP, 1:1.46 Ratio	1	
14	50082372	Block, Crossover Relief Manifold, 6 K Motor, Aluminum	1	
15	50082373	Motor, 11.9 CU IN, SAE "CC" 4 Bolt,.750 Split Flange BO Stag Ports, 1.500 Dia x 1.625 Keyed Shaft	1	
16	50082374	Clamp, Body, Two Piece, 30-30-18, 3 Hose Blk.	1	
17	50082376	Adapter, STR. #12 MORF, #12 MORB	4	
18	50082377	Adapter, STR. #6 MORFS, #8 MORB	1	
19	50082378	Coupler, FLT, 3/8 F, 3/4-16, O-Ring Boss	1	
20	50082379	Adapter, 45 Deg. #6 MORFS, #4 MORB	1	
21	19065	Bolt, HH, 1/2-13 x 2-1/2 GR. 5 Zinc	4	
22	50082359	Bolt, HH, 1/2-13 x 3 GR. 2, Zinc	1	
23	44588BH	Bolt, HH, 1/2-13 x 3/4 GR. 5, Zinc	1	
24	19055	Bolt, HH, 3/8-16 x 3 GR. 5, Zinc	2	
25	1161006	Bolt, HH, 5/16-18 x 3/4 GR. 5 Zinc	4	
26	44539BH	Nut, Nylock 1/2-13, Zinc	5	
27	50082536	Nut, Nylock 3/4-10, Zinc	4	
28	44624BH	Nut, Nylock, 3/8-16, Zinc	4	
29	50082538	Setscrew, Cap SH 3/8-16 x 3-1/2 Gr 8	8	
30	50082537	Setscrew,CP 1/4-20 x 3/8	2	
31	15916	Washer, Flat, 1/2 Zinc	4	
32	15915BH	Washer, Flat, 3/8 Zinc	4	
33	15925	Washer, Flat, 5/16 Zinc	4	
34	15806	Washer, Spring-Lock .500 Zinc	2	
35	15808	Washer, Spring-Lock, 5/16 Zinc	4	
36	50082361	Washer, Nord-Lock, .750 x 1210 OD, Zinc	4	
37	50082360	Washer, Nord-Lock .500 x 1.000 Od, Zinc	4	
38	50082408	Motor Rear Kit (11.9 Motor)	1	item not shown
39	50082407	Motor Shaft Seal Kit (11.9 Motor)	1	item not shown
40	50082404	Input Seal, Gearbox	1	item not shown
41	50082405	Output Seal, Gearbox	1	item not shown

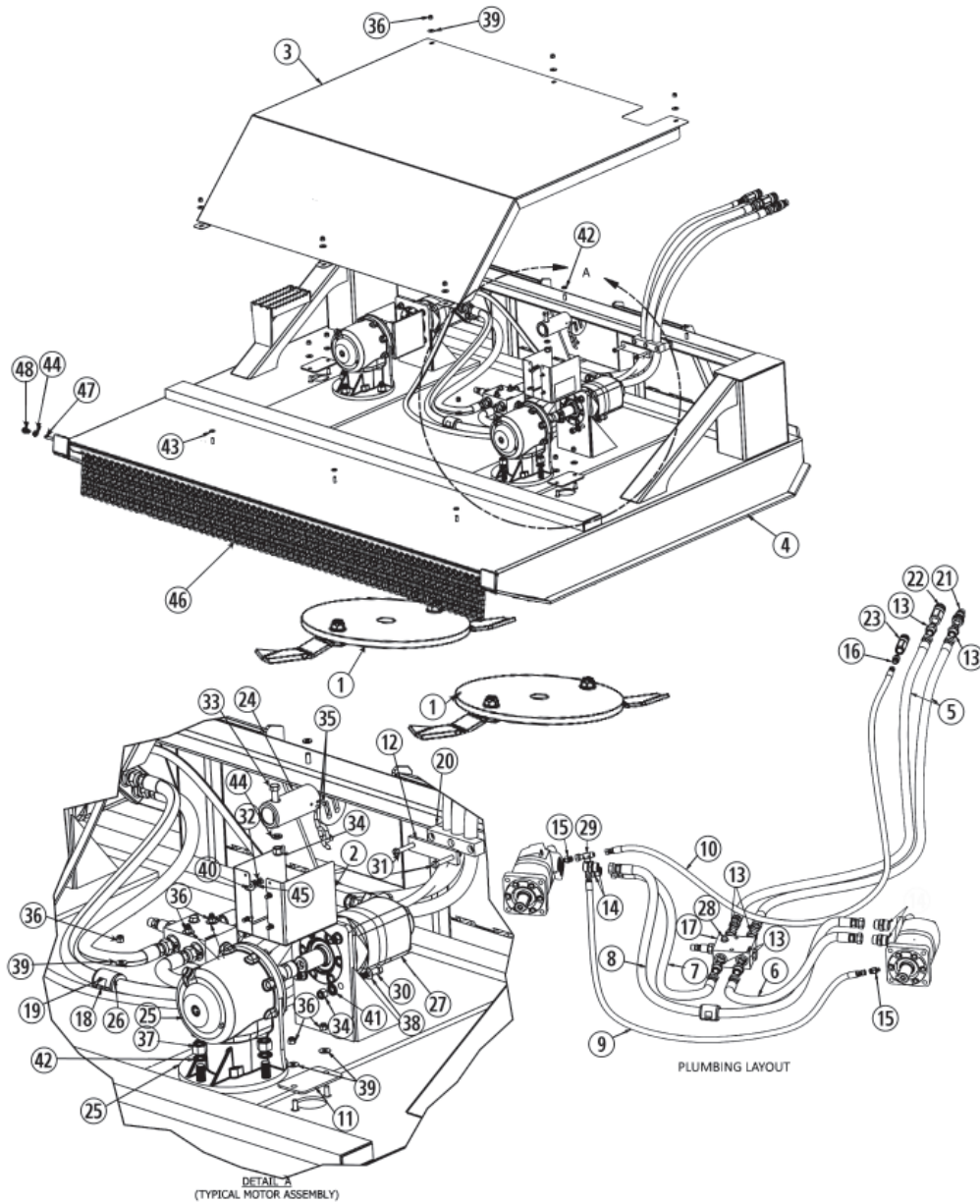
BCSS-90 BRUSH CUTTER SKID STEER



BCSS-90 BRUSH CUTTER SKID STEER

Item No.	Part No.	Description	Qty.	
1	50082403	Weldment, Blade Carrier, 24.375 Dia. X 1.000	2	
2	50082347	Guard, Coupling, STD.	2	
3	50082381	Hood, BCSS-90	1	
4	50082342	Plate, Acess, 2 Hole, 5.25 x 3.25 x .25	2	
5	-----	Weldment, Frame, BCSS-90	1	
6	50082382	Hose, Whip Assy - 12 ORFS, F SWV Coupling .75 MFG x 90.00 Hose	2	
7	50082383	Hose, Whip Assy - 6 ORFS, F SWV Coupling .375 x 35.00 Hose	1	
8	50082384	Hose, Whip Assy - 12 ORFS, F SWV Coupling .75 x 45.00 Hose .75 x 45.00 Hose	2	
9	50082385	Hose, Whip Assy - 12 ORFS, F SWV Coupling .75 x 60.00 Hose	1	
10	50082386	Adapter, 60 Deg. #12 MORFS, #12 MORB	4	
11	50082387	Adapter, 90 Deg. #6 MORFS, #6 MORB	1	
12	50082376	Adapter,STR, #12 MORFS Male, #12 MORB	6	
13	50082388	Adapter, STR. #6 MORFS Male, #4 MORB	1	
14	50082389	Block, Crossover Relief Manifold	1	
15	50082390	Clamp, Body, .75 Hose, Bottom Half	1	
16	50082391	Clamp, Body, .75 Hose, Top Half	1	
17	50082356	Clamp, Body, Two Piece, 30MM, 2 Hose	1	
18	50082353	Coupler, FLT F, 1/2 M, 7/8-14, O-Ring Boss	1	
19	50082352	Coupler, FLT F, 1/2 F, 7/8-14, O-Ring Boss	1	
20	50082355	Coupling, STD, 1.25 Motor, 1.375 GB 5.500	2	
21	50082357	Cover, Plate, Clamp, 30MM, 2 Hose	1	
22	50082363	Gearbox, 62 HP, 1:1.93 Ratio	2	
23	50082392	Grommet, Rubber, .750	1	
24	50082393	Motor, 6.2 CU IN, SAE "A" 2 Bolt, 1-1/16-12 SAE OR, BO Ports, 1.250 Dia.. X 1.250 Keyed Shaft	2	
25	2110BH	Bolt, HH, 1/2-13 x 2 GR. 5, Zinc	4	
26	50082359	Bolt, HH, 1/2-13 x 3 GR. 2, Zinc	2	
27	20504	Bolt, HH, 5/16-18 x 2-1/2 GR. 5, Zinc	1	
28	1161006	Bolt, HH, 5/16-18 x 3/4 GR. 5, Zinc	8	
29	44539BH	Nut, Nylock 1/2-13, Zinc	6	
30	50082536	Nut, Nylock 3/4-10, Zinc	8	
31	44624BH	Nut, Nylock 3/8-16, Zinc	13	
32	50082537	Setscrew CP 1/4-20 x 3/8	4	
33	15915BH	Washer, Flat, 3/8 Zinc	13	
34	15925	Washer, Flat, 5/16 Zinc	8	
35	50082360	Washer, Nord-Lock,.500 x 1.000 OD, Zinc	4	
36	50082361	Washer, Nord-Lock, .750 x 1210 OD, Zinc	8	
37	50082394	Washer, Rubber Seal, .812 OD x .355 ID x .094	6	
38	15806	Washer, Spring-Lock, .500 Zinc	3	
39	15808	Washer, Spring-Lock, 5/16 Zinc	9	
40	50082351	Chain, .313, 5 Link Proof Coil	68	
41	50082535	Rod, Round .375 x 89.00	1	
42	44588BH	Bolt, HH, 1/2-13 x 3/4 GR. 5 Zinc	1	
43	50082404	Input Seal, Gearbox	1	item not shown
44	50082405	Output Seal, Gearbox	1	item not shown
45	50082406	Motor Seal Kit (6.2 & 8.0 Motors)	1	item not shown

BCSS-90HF BRUSH CUTTER SKID STEER



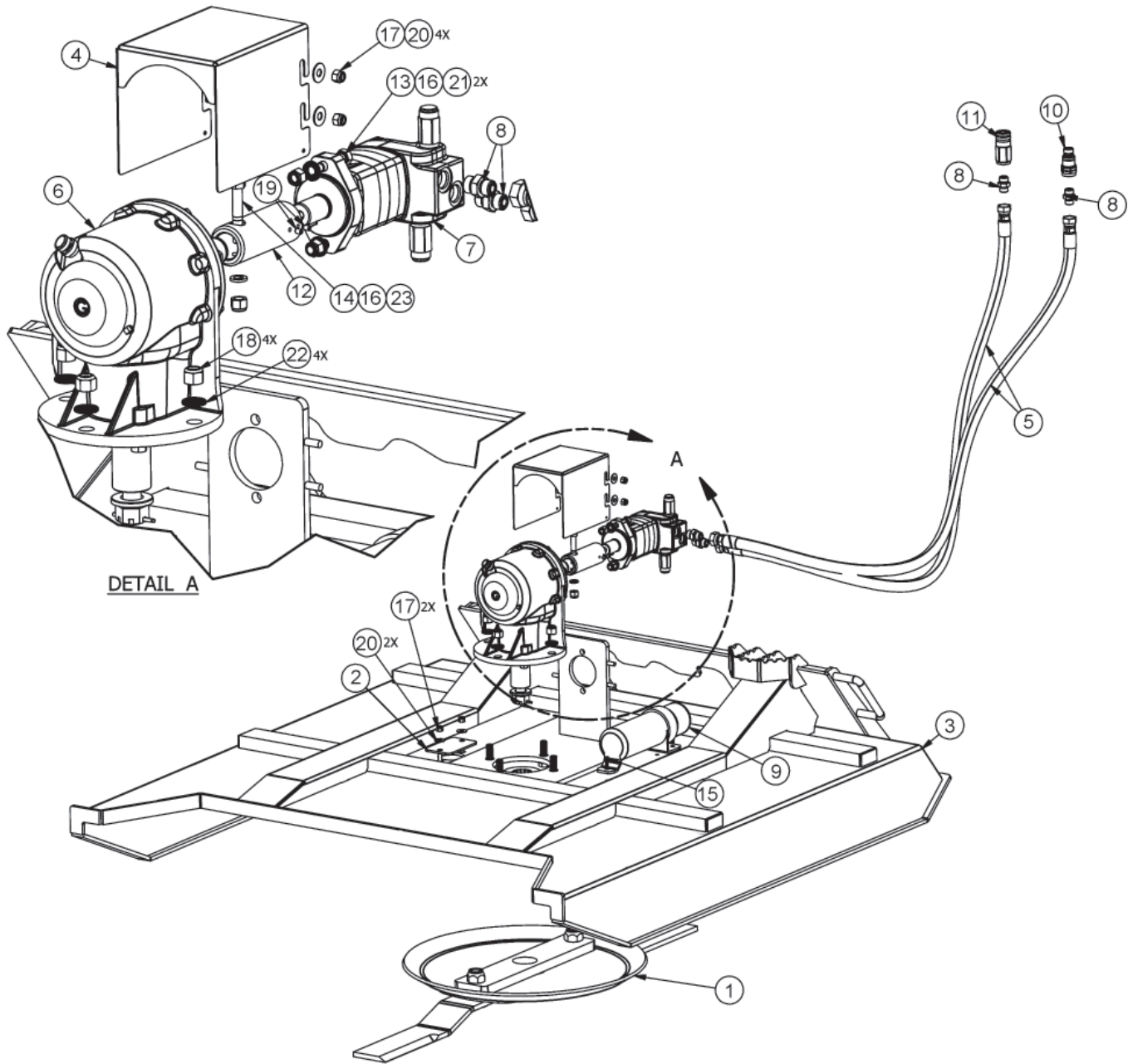
Item No.	Part No.	Description	Qty.
1	50082403	Weldment, Blade Carrier, 24.375 Dia. X 1.000	2
2	50082347	Guard, Coupling, STD.	2
3	50082381	Hood, BCSS-90	1
4	-----	Weldment, Frame, BCSS-90	1
5	50082382	Hose, Whip Assy - 12 ORFS, F SWV Coupling .75 MFG x 90.00 Hose	2
6	50082395	Hose, Whip Assy - 12 ORFS, F SWV Coupling .75 x 29.00 Hose	1
7	50082384	Hose, Whip Assy - 12 ORFS, F SWV Coupling .75 x 45.00 Hose	1

BCSS-90HF BRUSH CUTTER SKID STEER

Item No.	Part No.	Description	Qty.
8	50082396	Hose, Whip Assy - 12 ORFS, F SWV Coupling .75 x 75.00 Hose	1
9	50082397	Hose, Whip Assy - 6 ORFS, F SWV Coupling .75 x 80.00 Hose	1
10	50082398	Hose, Whip Assy - 6 ORFS, F SWV Coupling .375 x 114.00 Hose	1
11	50082342	Plate, Acess, 2 Hole, 5.25 x 3.25 x .25	2
12	50082366	Plate, Stauff, 3 Hole Cover, 1.25 x 5.875	1
13	50082376	Adapter, STR. #12 MORF Male, #12 MORB	6
14	50082399	Adapter, STR. #12 MORF Male, #16 MORB	4
15	50082388	Adapter, STR. #6 MORF Male, #4 MORB	2
16	50082377	Adapter, STR. #6 MORF Male, #8 MORB	1
17	50082389	Block, Crossover Relief Manifold	1
18	50082390	Clamp, Body, .75 Hose, Bottom Half	1
19	50082391	Clamp, Body, .75, Top Half	1
20	50082374	Clamp, Body, Two Piece, 30-30-18, 3 Hose Blk.	1
21	50082371	Coupler, 5/8 F, 1-1/16-12, O-Ring Boss	1
22	50082370	Coupler, 5/8 M, 1-1/16-12, O-Ring Boss	1
23	50082378	Coupler, Flt. F, 3/8 f, 3/4-16, O-Ring Boss	1
24	50082369	Coupler, HF, 1.500 Motor, 1.375 GB, 5.500	2
25	50082363	Gearbox, 62 HP, 1:1.93 Ratio	2
26	50082392	Grommet, Rubber, .750	1
27	50082400	Motor, 11.9 CU IN, SAE "C" Bolt 1-5/16-12, SAE OR Ports, 1.500 Dia. x 1.625 Keyed Shaft	1
28	50082401	Bolt, HH, 5/16-18 x 3/4 GR. 5, Zinc	1
29	50082402	Tee, #6 MORFS, #6 MORFS, #6 FORFS	1
30	19065	Bolt, HH, 1/2-13 x 2-1/2 GR. 5 Zinc	8
31	19055	Bolt, HH, 3/8-16 x 3 GR. 5, Zinc	2
32	1161006	Bolt, HH, 5/16-18 x 3/4 GR. 5, Zinc	8
33	50082359	Bolt, HH, 1/2-13 GR. 2, Zinc	2
34	44539BH	Nut, Nylock 1/2-13, Zinc	10
35	50082537	Setscrew CP 1/4-20 x 3/8	4
36	44624BH	Nut, Nylock 3/8-16, Zinc	13
37	50082536	Nut, Nylock 3/4-10, Zinc	8
38	15916	Washer, Flat, 1/2 Zinc	8
39	15915BH	Washer, Flat, 3/8, Zinc	13
40	15925	Washer, Flat, 5/16 Zinc	8
41	50082360	Washer, Nord-Lock, .500 x 1.00 OD, Zinc	8
42	50082361	Washer, Nord-Lock, .750 x 1.210 OD, Zinc	8
43	50082394	Washer, Rubber Seal, .812 OD x .355 ID x .094	6
44	15806	Washer, Spring-Lock, .500 Zinc	3
45	15808	Washer, Spring-Lock, 5/16 Zinc	8
46	50082351	Chain, .313, 5 Link Proof Coil	68
47	50082535	Rod, Round .375 x 89.00	1
48	44588BH	Bolt, HH, 1/2-13 x 3/4 GR. 5 Zinc	1
49	50082408	Motor Rear Kit (11.9 Motor)	1
50	50082407	Motor Shaft Seal Kit (11.9 Motor)	1
51	50082404	Input Seal, Gearbox	1
52	50082405	Output Seal, Gearbox	1

item not shown
item not shown
item not shown
item not shown

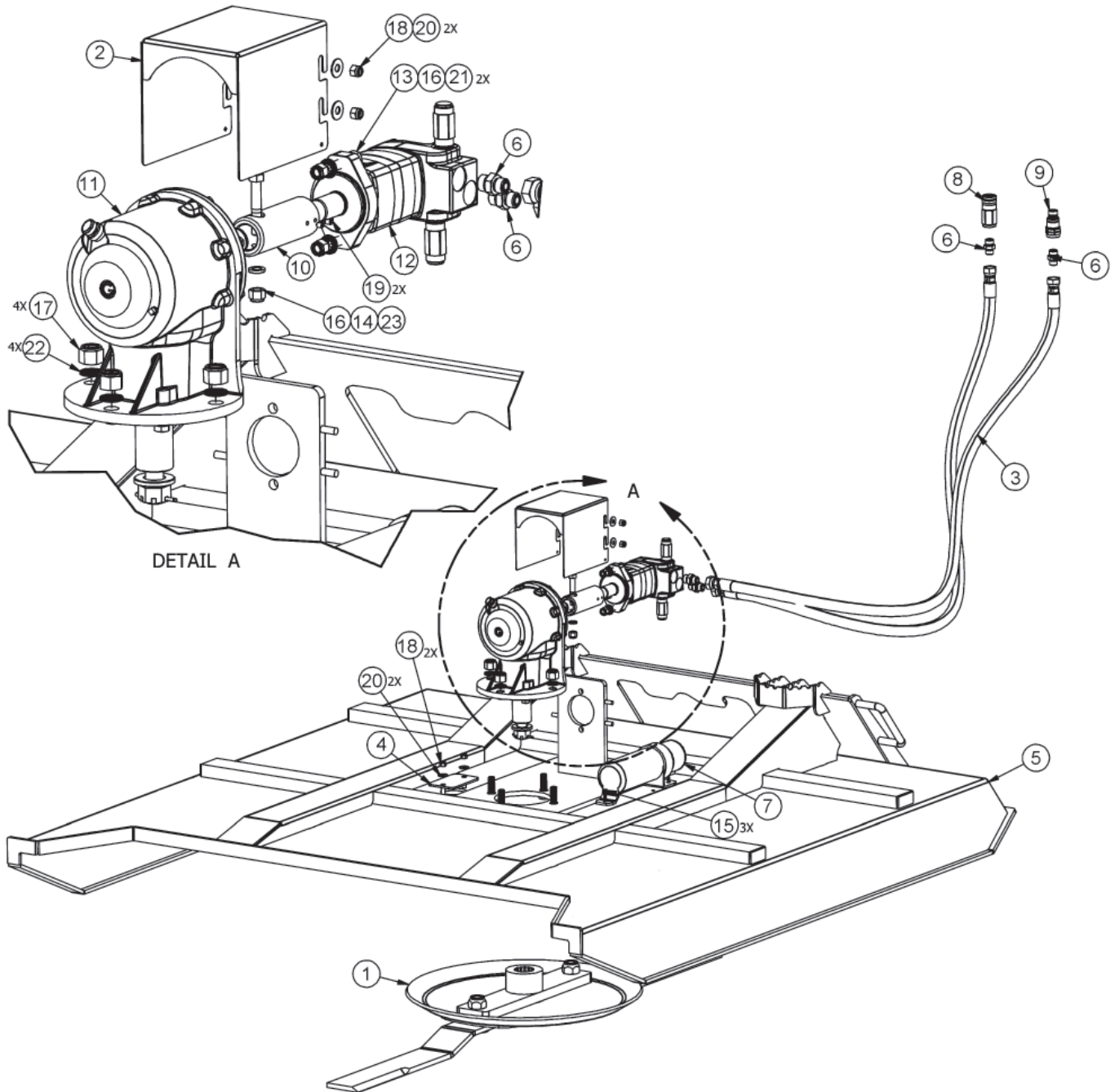
BCSS-S601 & BCSS-S601LF BRUSH CUTTER SKID STEER



BCSS-S601 & BCSS-S601LF BRUSH CUTTER SKID STEER

Item No.	Part No.	Description	Qty.	
1	50082343	Weldment, Blade Carrier, 25.00 Dia. x .313	1	
2	50082342	Plate, Access, 2 Hole, 5.25 x 3.25 x .25	1	
3	- - - - -	Weldment, Frame	1	
4	50083008	Guard, Coupling, STD. Duty	1	
5	50082349	Hose, Whip Assy - 8 ORFS, F SWV Coupling .75 x 78.00 Hose	2	
6	50082354	Gearbox 62HP 1:1.46 Ratio (STD Flow) BCSS-S601	1	
	50082363	Gearbox 62HP 1:1.93 Ratio (Low Flow) BCSS-S601LF	1	
7	50082350	Motor 6.2 Cu In., SAE "A" 2 Bolt, 7/8-14 SAE Or BO Ports, 1.250 Dia. x 1.250 Keyed Shaft, 3500/750 Relief	1	
8	50082358	Adapter, Str. #8 MORFS, #10 MORB	4	
9	50035829	Canister, OMN Int'l Style 12.500 x 3.500	1	
10	50082353	Coupler, FLT F 1/2 M, 7/8-14, O-Ring Boss	1	
11	50082352	Coupler, FLT F, 1/2 F, 7/8-14, O-Ring Boss	1	
12	50082355	Coupler, STD, 1.25 Motor, 1.375 GB, 5.500	1	
13	20110BH	Bolt, HH, 1/2-13 x 2 Gr.5, Zinc	2	
14	50082359	Bolt, HH, 1/2-13 x 3 Gr 2, Zinc	1	
15	50083009	Bolt, HH, Flanged 1/4-20 x 3/4 Gr. 5 Zinc	3	
16	44539BH	Nut, Nylock 1/2-13, Zinc	3	
17	44624BH	Nut, Nylock 3/8-16, Zinc	6	
18	50083010	Nut, Nylock 5/8-18, Zinc	4	
19	50082537	Setscrew, CP 1/4-20 x 3/8, Zinc	2	
20	15915BH	Washer, Flat 3/8 Zinc	6	
21	50082360	Washer, Nord-Lock .500 x 1.000 OD, Zinc	2	
22	50083011	Washer, Nord-Lock .625 x 1.210 OD, Zinc	4	
23	15806	Washer, Spring-Lock .500, Zinc	1	
24	50082406	Motor Seal Kit (6.2 & 8.0 Motors)	1	item not shown
25	50082405	Output Seal, Gearbox	1	item not shown
26	50082404	Input Seal, Gearbox	1	item not shown

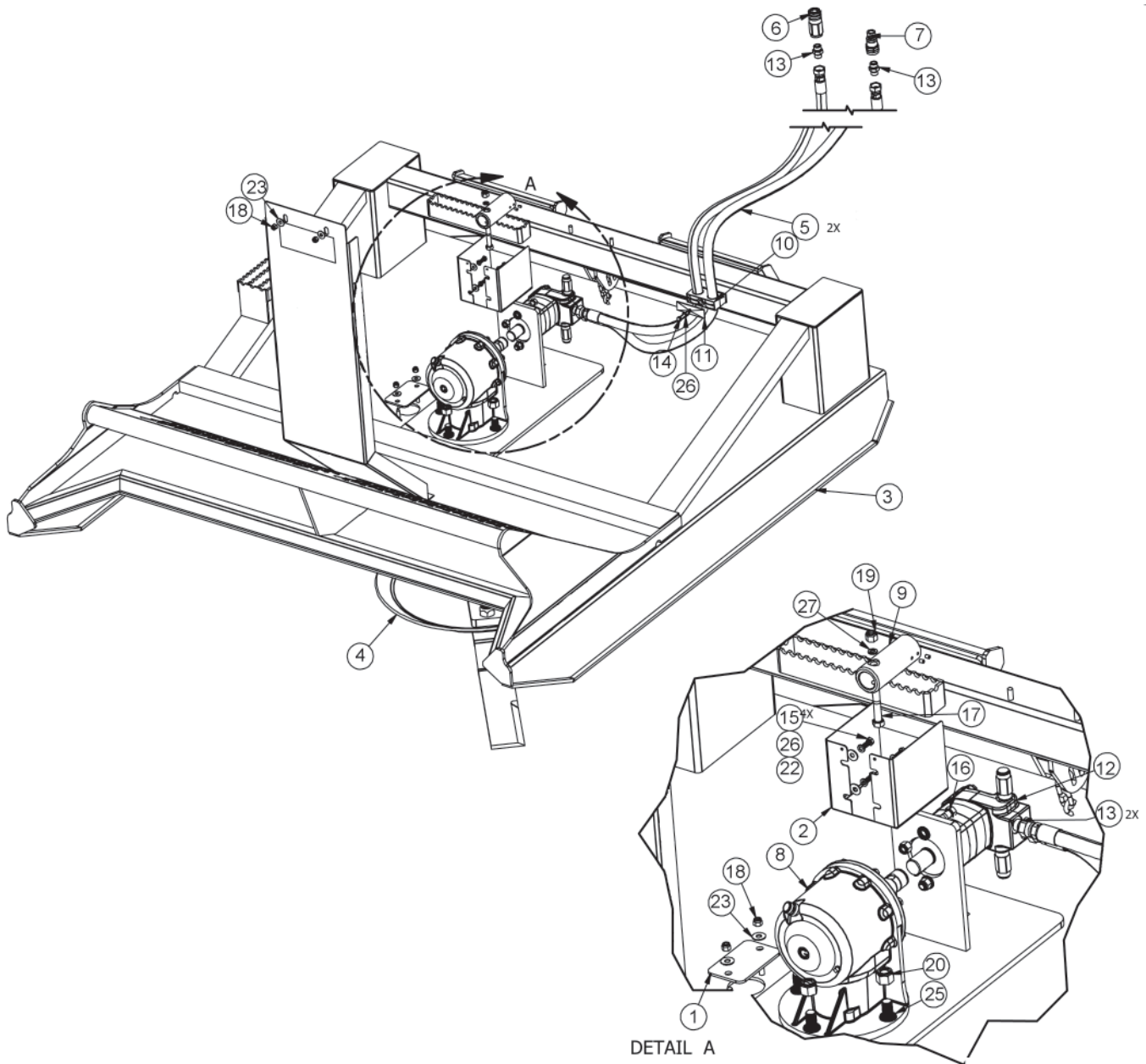
BCSS-S721 & BCSS-S721LF BRUSH CUTTER SKID STEER



BCSS-S721 & BCSS-S721LF BRUSH CUTTER SKID STEER

Item No.	Part No.	Description	Qty.	
1	50082343	Weldment, Blade Carrier, 25.00 Dia. x .313	1	
2	50083008	Guard, Coupling, STD. Duty	1	
3	50082349	Hose, Whip Assy - 8 ORFS, F SWV Coupling .75 x 78.00 Hose	2	
4	50082342	Plate, Access, 2 Hole, 5.25 x 3.25 x .25	1	
5	-----	Weldment, Frame	1	
6	50082358	Adapter, Str. #8 MORFS, #10 MORB	4	
7	50035829	Canister, OMN Int'l Style 12.500 x 3.500	1	
8	50082352	Coupler, FLT F, 1/2 F, 7/8-14, O-Ring Boss	1	
9	50082353	Coupler, FLT F 1/2 M, 7/8-14, O-Ring Boss	1	
10	50082355	Coupler, STD, 1.25 Motor, 1.375 GB, 5.500	1	
11	50082354	Gearbox 62HP 1:1.46 Ratio (STD Flow) BCSS-S721	1	
	50082363	Gearbox 62HP 1:1.93 Ratio (Low Flow) BCSS-S721LF	1	
12	50082362	Motor 8.0 Cu In., SAE "A" 2 Bolt, 7/8-14 SAE Or Ports, 1.250 Dia. x 1.250 Keyed Shaft, 3500/750 Relief	1	
13	20110BH	Bolt, HH, 1/2-13 x 2 Gr.5, Zinc	2	
14	50082359	Bolt, HH, 1/2-13 x 3 Gr 2, Zinc	1	
15	50083009	Bolt, HH, Flanged 1/4-20 x 3/4 Gr. 5 Zinc	3	
16	44539BH	Nut, Nylock 1/2-13, Zinc	3	
17	50082536	Nut, Nylock 3/4-10, Zinc	4	
18	44624BH	Nut, Nylock 3/8-16, Zinc	6	
19	50082537	Setscrew, CP 1/4-20 x 3/8, Zinc	2	
20	15915BH	Washer, Flat 3/8 Zinc	6	
21	50082360	Washer, Nord-Lock .500 x 1.000 OD, Zinc	2	
22	50082361	Washer, Nord-Lock .750 x 1.210 OD, Zinc	4	
23	15806	Washer, Spring-Lock .500, Zinc	1	
24	50082406	Motor Seal Kit (6.2 & 8.0 Motors)	1	item not shown
25	50082405	Output Seal, Gearbox	1	item not shown
26	50082404	Input Seal, Gearbox	1	item not shown

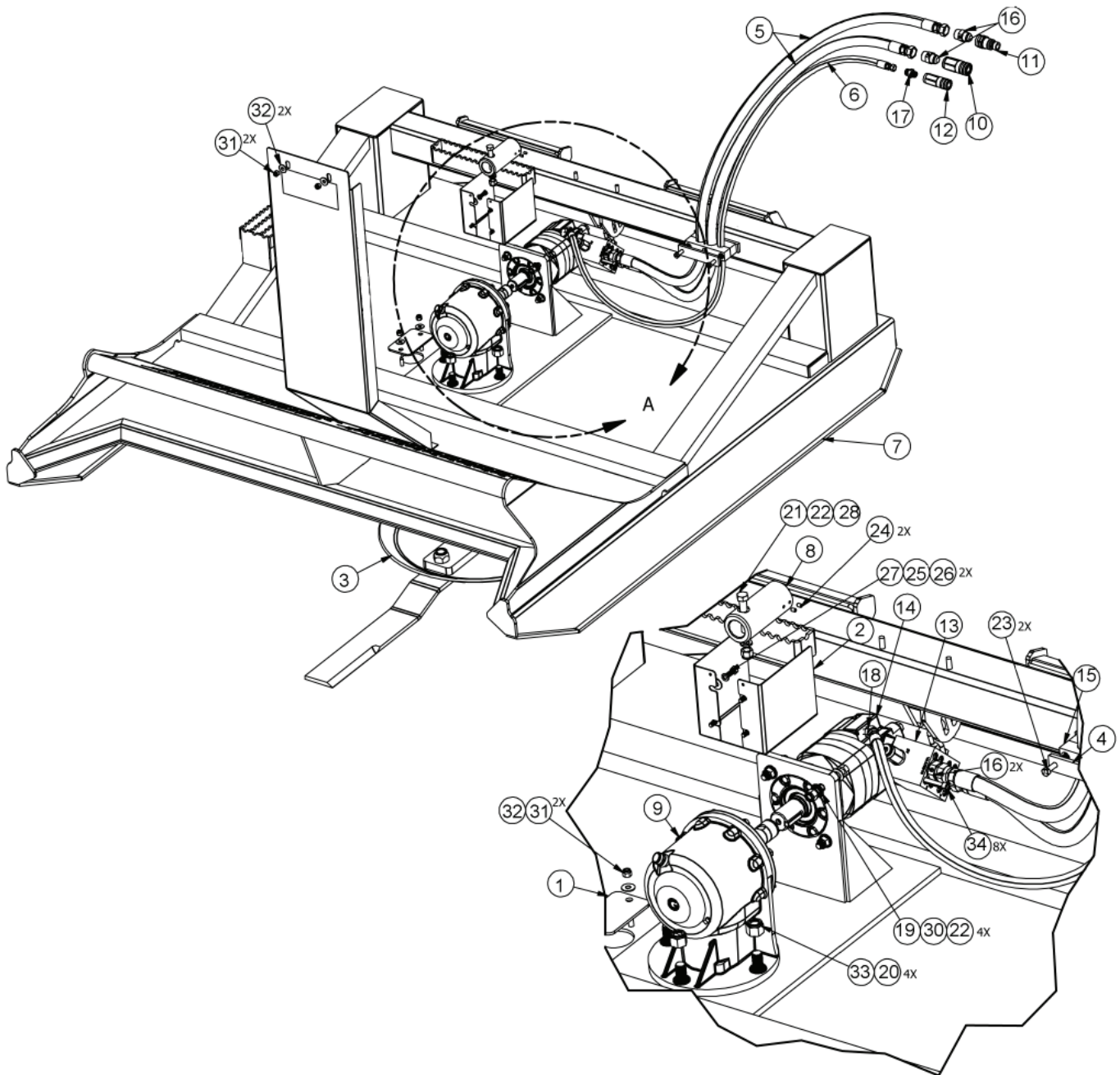
BCSS-721 & BCSS-721LF BRUSH CUTTER SKID STEER



BCSS-721 & BCSS-721LF BRUSH CUTTER SKID STEER

Item No.	Part No.	Description	Qty.	
1	50082342	Plate, Access, 2 Hole, 5.25 x 3.25 x .25	1	
2	50082347	Guard, Coupling, STD.	1	
3	-----	Weldment, Frame	1	
4	50082343	Weldment, Blade Carrier, 25.00 Dia. x .313	1	
5	50082349	Hose, Whip Assy - 8 ORFS, F SWV Coupling .75 x 78.00 Hose	2	
6	50082352	Coupler, FLT F, 1/2 F, 7/8-14, O-Ring Boss	1	
7	50082353	Coupler, FLT F 1/2 M, 7/8-14, O-Ring Boss	1	
8	50082354	Gearbox 62HP 1:1.46 Ratio (STD Flow) BCSS-721	1	
	50082363	Gearbox 62HP 1:1.93 Ratio (Low Flow) BCSS-721LF	1	
9	50082355	Coupler, STD, 1.25 Motor, 1.375 GB, 5.500	1	
10	50082356	Clamp, Body, Two Piece, 30MM, 2 Hose	1	
11	50082357	Cover, Plate, Clamp, 30MM, 2 Hoses	1	
12	50082362	Motor 8.0 Cu In., SAE "A" 2 Bolt, 7/8-14 SAE Or Ports, 1.250 Dia. x 1.250 Keyed Shaft, 3500/750 Relief	1	
13	50082358	Adapter, STR, #8 MORFS, #10 MORB	4	
14	20504	Bolt, HH, 5/16-18 x 2-1/2 Gr. 5, Zinc	1	
15	1161006	Bolt, HH, 5/16-18 x 3/4 Gr. 5, Zinc	4	
16	20110BH	Bolt, HH, 1/2-13 x 2 Gr.5, Zinc	2	
17	50082359	Bolt, HH, 1/2-13 x 3 Gr 2, Zinc	1	
18	44624BH	Nut, Nylock 3/8-16, Zinc	4	
19	44539BH	Nut, Nylock 1/2-13, Zinc	3	
20	50082536	Nut, Nylock 3/4-10, Zinc	4	
21	50082537	Setscrew, CP 1/4-20 x 3/8, Zinc	2	
22	15925	Washer, Flat, 5/16 Zinc	4	
23	15915BH	Washer, Flat 3/8 Zinc	4	
24	50082360	Washer, Nord-Lock .500 x 1.000 OD, Zinc	2	
25	50082361	Washer, Nord-Lock .750 x 1.210 OD, Zinc	4	
26	15808	Washer, Spring-Lock, 5/16 Zinc	5	
27	15812	Washer, Spring-Lock, 3/8 Zinc	1	
28	50082406	Motor Seal Kit (6.2 & 8.0 Motors)	1	item not shown
29	50082405	Output Seal, Gearbox	1	item not shown
30	50082404	Input Seal, Gearbox	1	item not shown

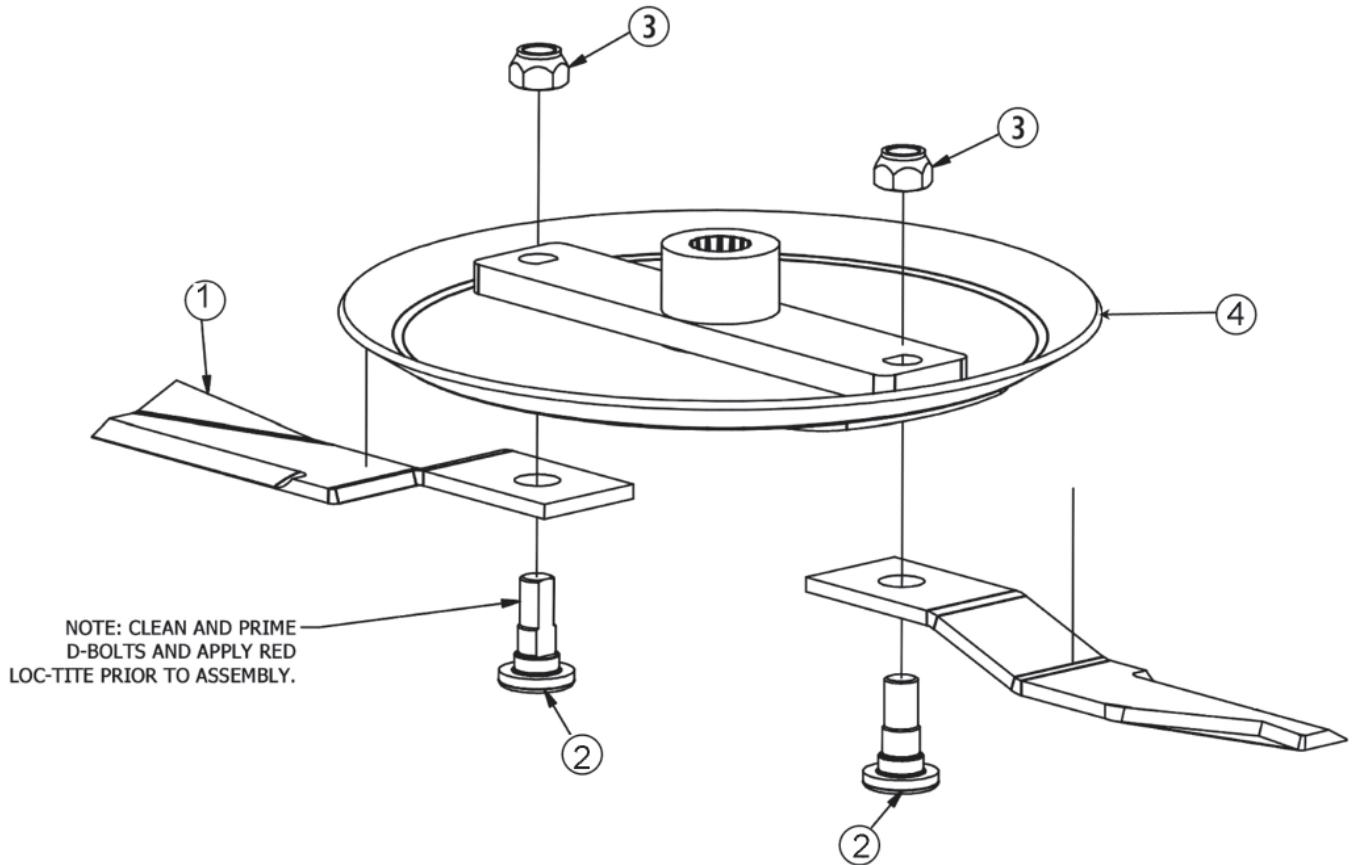
BCSS-721HF BRUSH CUTTER SKID STEER



BCSS-721HF BRUSH CUTTER SKID STEER

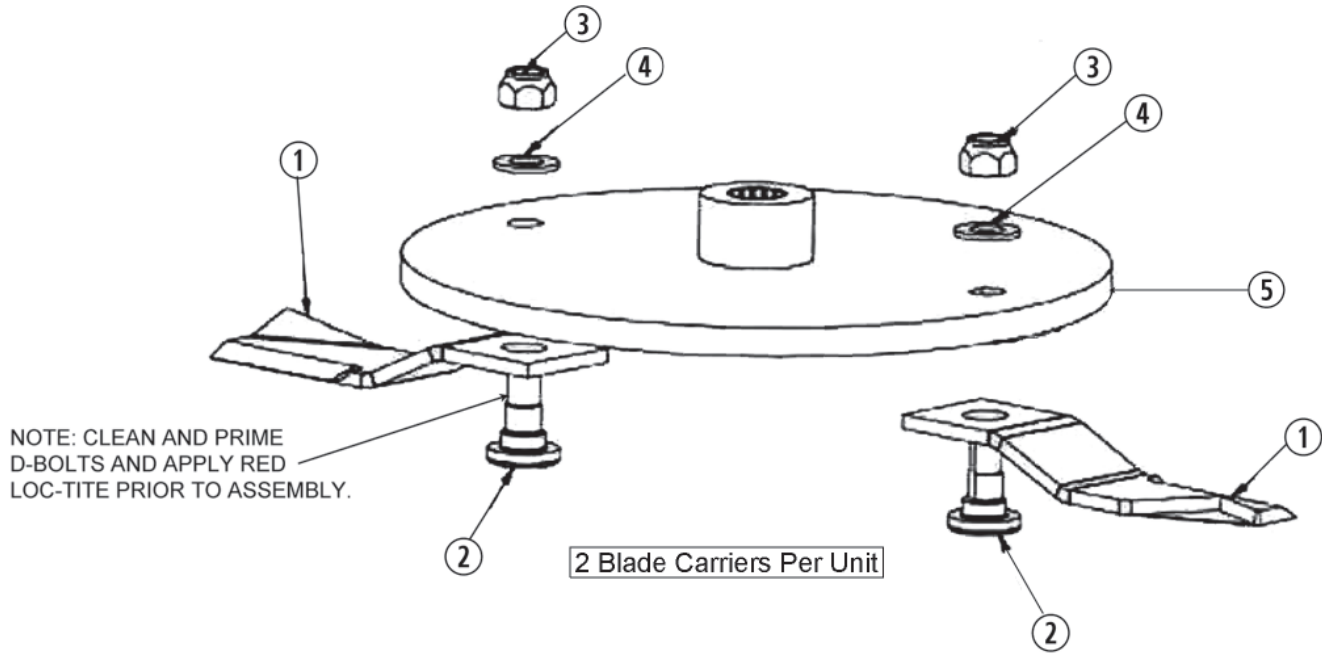
Item No.	Part No.	Description	Qty.	
1	50082342	Plate, Access, 2 Hole, 5.25 x 3.25 x .25	1	
2	50082347	Guard, Coupling, STD.	1	
3	50082343	Weldment, Blade Carrier, 25.00 Dia. x .313	1	
4	50082366	Plate, Stauff, 3 Hole Cover, 1.25 x 5.875	1	
5	50082367	Hose, Whip Assy - 12 ORFS, F SWV Coupling .75 x 78.00 Hose	2	
6	50082368	Hose, Whip Assy - 6 ORFS, F SWV Coupling .375 MFG x 78.00 Hose	1	
7	-----	Weldment, Frame	1	
8	50082369	Coupling, HF, 1.500 Motor, 1.375 GB, 5.500	1	
9	50082354	Gearbox 62HP 1:1.46 Ratio	1	
10	50082370	Coupler, FLT F, 5/8 F, 1-1/16-12, O-Ring Boss	1	
11	50082371	Coupler, FLT F, 5/8 M, 1-1/16-12, O-Ring Boss	1	
12	50082378	Coupler, FLT F, 3/8 F, 3/4-16, O-Ring Boss	1	
13	50082372	Block, Crossover Relief Manifold, 6K Motor, Aluminum	1	
14	50082373	Motor 11.9 Cu In., SAE "CC" 4 Bolt, .750 Split Flange Bo Stag Ports, 1.5000 Dia. x 1.625 Keyed Shaft	1	
15	50082374	Clamp, Body, Two Piece, 30-30-18, 3 Hose, Black	1	
16	50082376	Adapter, STR. #12 MORFS, #12 MORB	4	
17	50082377	Adapter, STR. #6 MORFS, #8 MORB	1	
18	50082379	Adapter, 45 Deg. #6 MORFS, #4 MORB	1	
19	50082360	Washer, Nord-Lock, .500 x 1.000 OD, Zinc	4	
20	50082361	Washer, Nord-Lock, .750 x 1.210 OD, Zinc	4	
21	50082359	Bolt, HH, 1/2-13 x 3 Gr. 2, Zinc	1	
22	44539BH	Nut, Nylock, 1/2-13, Zinc	5	
23	19055	Bolt, HH, 3/8-16 x 3 Gr. 5, Zinc	2	
24	50082537	Setscrew CP 1/4-20 x 3/8, Zinc	2	
25	15925	Washer, Flat, 5/16 Zinc	4	
26	15808	Washer, Spring-Lock, 5/16 Zinc	4	
27	1161006	Bolt, HH, 5/16-18 x 3/4 Gr. 5 Zinc	4	
28	15806	Washer, Spring-Lock, .500 Zinc	1	
29	15916	Washer, Flat, 1/2 Zinc	4	
30	19065	Bolt, HH, 1/2-13 x 2-1/2 Gr. 5 Zinc	4	
31	44624BH	Nut, Nylock 3/8-16 Zinc	4	
32	15915BH	Washer, Flat, 3/8 Zinc	4	
33	50082536	Nut, Nylock 3/4-10, Zinc	4	
34	50082538	Setscrew, Cap SH 3/8-16 x 3-1/2 Gr. 8	8	
35	50082408	Motor Rear Kit (11.9 Motors)	1	item not shown
36	50082407	Motor Shaft Seal Kit (11.9 Motor)	1	item not shown
37	50082404	Input Seal, Gearbox	1	item not shown
38	50082405	Output Seal, Gearbox	1	item not shown

BCSS-60, BCSS-60LF BCSS-72, BCSS-72LF, BCSS-72HF BLADE CARRIER PARTS



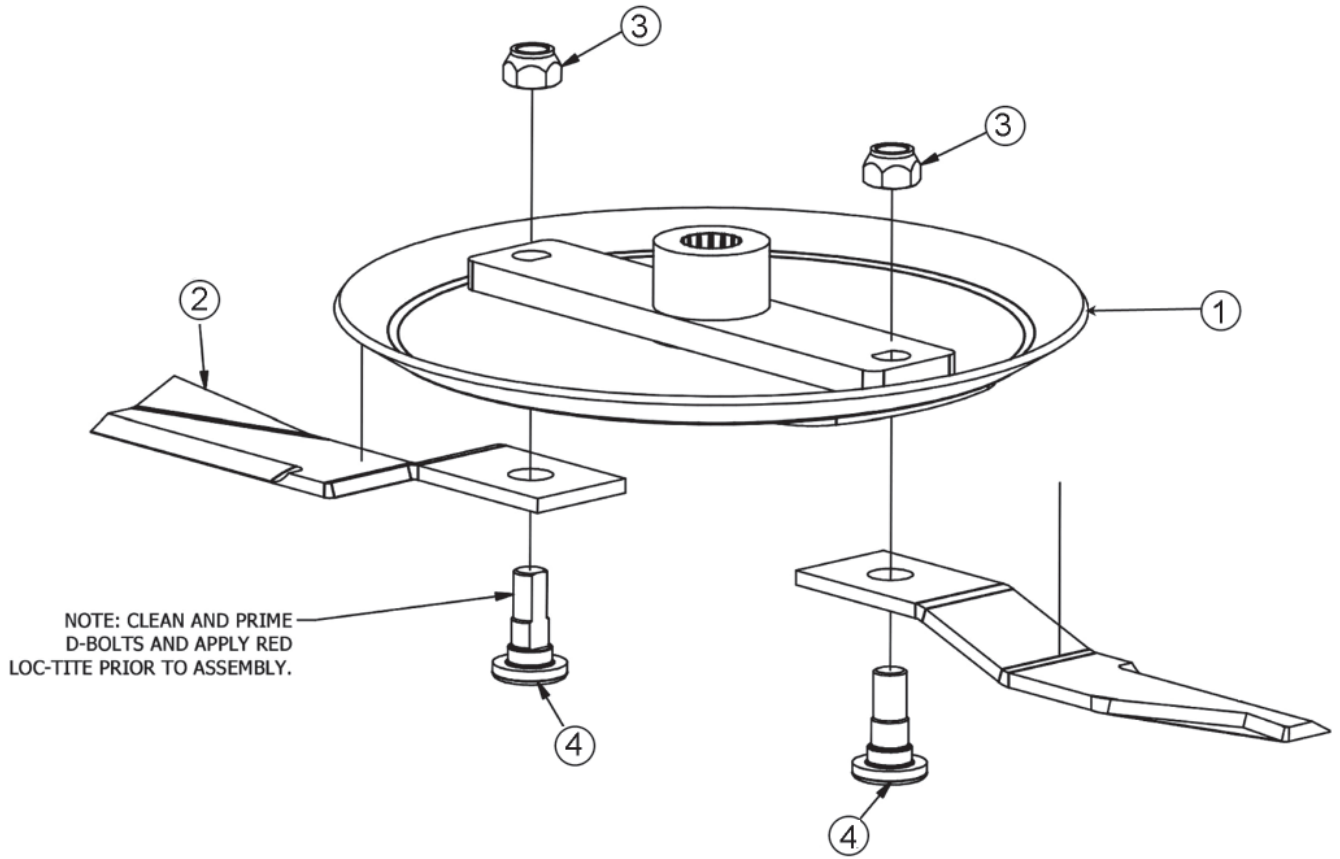
Item No.	Part No.	Description	Qty.
1	50082344	Blade, 22.00 x 4.00 x .500 (Set Of 2)	1 (BCSS-60, BCSS-60LF)
	50082365	Blade, 28.00 x 4.00 x .500 (Set Of 2)	1 (BCSS-72, BCSS-72LF, BCSS-72HF)
2	50082345	D-Bolt, 1-1/8-12 UNF	2
3	50082346	Nut, Top-Lock, 1-1/8-12 UNF, GR. C Plain	2
4	50082343	Weldment, Blade Carrier	1

BCSS-90, BCSS-90HF BLADE CARRIER PARTS



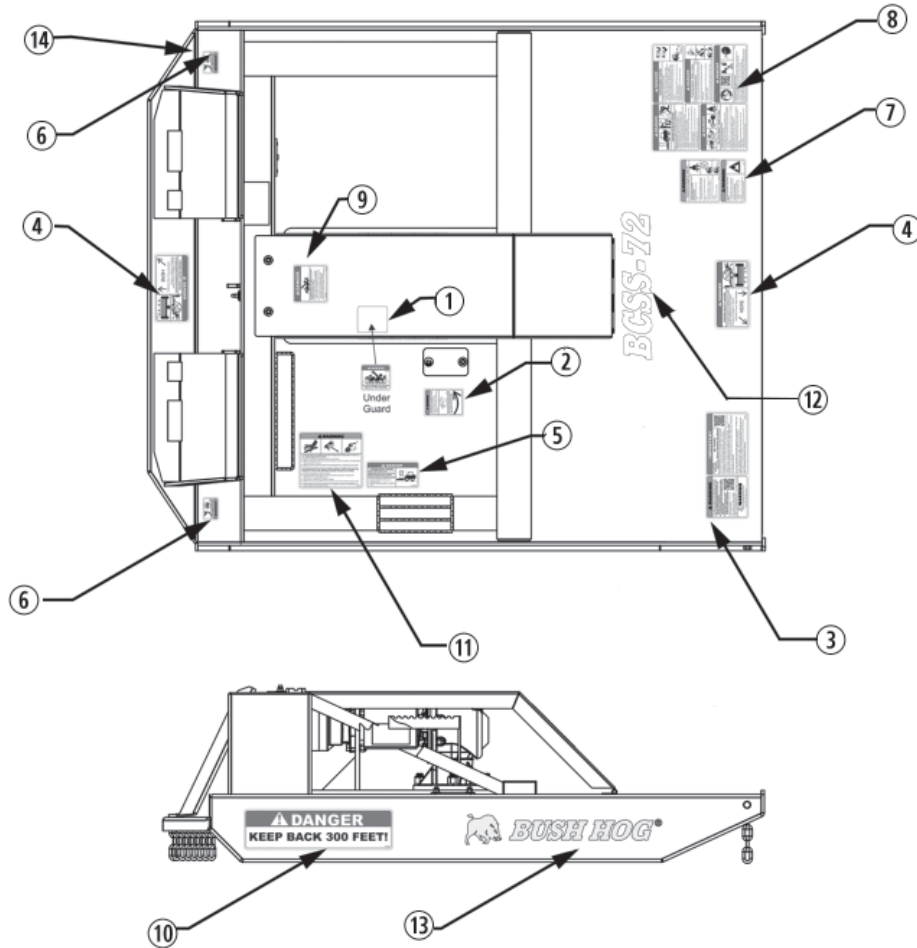
Item No.	Part No.	Description	Qty.
1	50082380	Blade, 14.75 x 4.00 x .500 (Set Of 2)	1
2	50082345	D-Bolt, 1-1/8-12 UNF	2
3	50082346	Nut, Top-Lock, 1-1/8-12 UNF, GR. C Plain	2
4	50082409	Washer, Flat, 1-1/8 F436, Zinc	2
5	50082403	Weldment, Blade Carrier, 24.375 X dIA. X 1.000	1

BCSS-S601, BCSS-S601LF, BCSS-S721 BCSS-S721LF, BCSS-721, BCSS-721HF, BCSS-721LF BLADE CARRIER PARTS



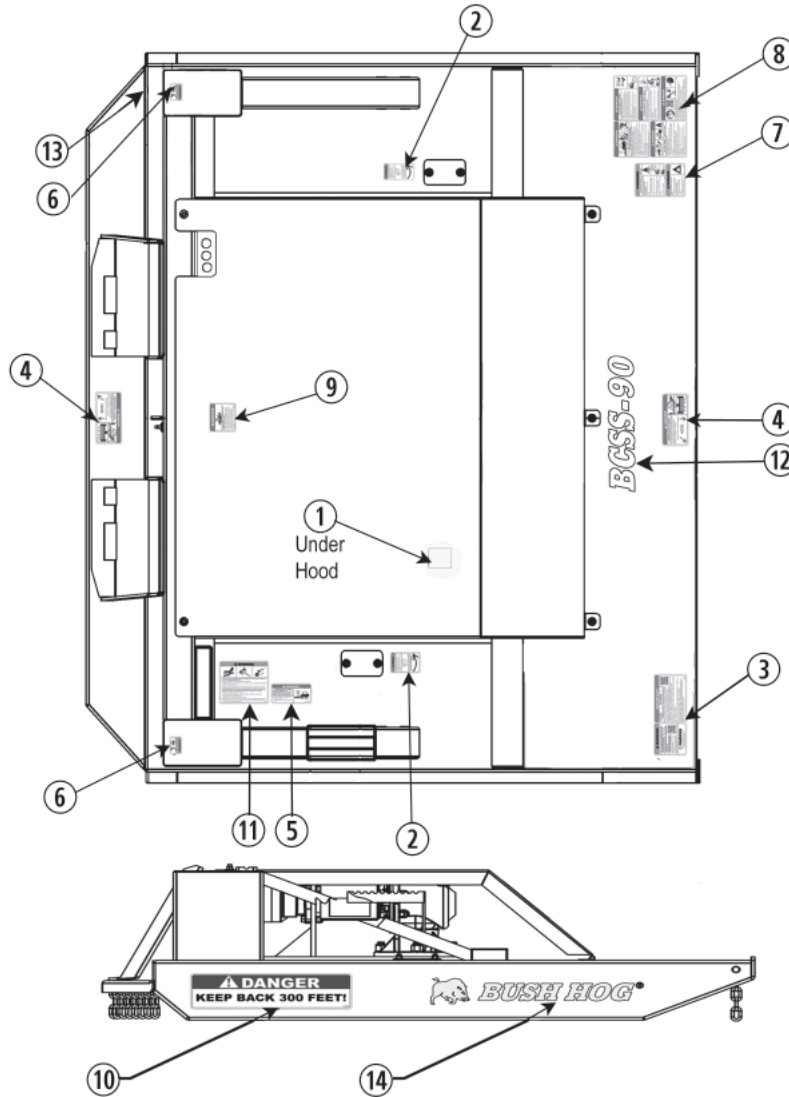
Item No.	Part No.	Description	Qty.
1	50082343	Weldment, Blade Carrier	1
2	50083012	Blade, 22.00 x 4.00 x .500 No Lift (Set of 2) (BCSS-S601, BCSS-S601LF)	1
	50083013	Blade, 28.00 x 4.00 x .500 No Lift (Set of 2) (BCSS-S721, BCSS-S721LF, BCSS-721, BCSS-721LF, BCSS-721HF)	1
3	50082345	D-Bolt, 1 1/8-12 UNF	2
4	50082346	Nut, Top-Lock, 1 1/8 - 12 UNF, Gr. C, Plain	2

BCSS-60, BCSS-60LF BCSS-72, BCSS-72LF, BCSS-72HF DECALS



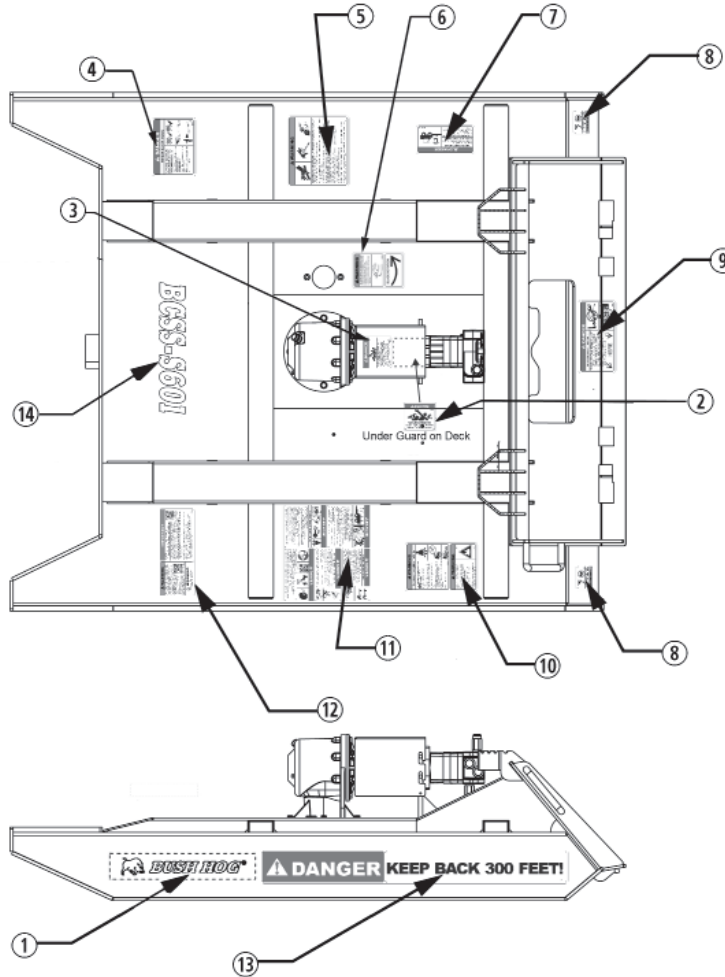
Item No.	Part No.	Description	Qty.
1	D546	Danger Decal, Guard Missing	1
2	D1100	Blade Rotation Decal	1
3	D559	Decal, Genuine Bush Hog Decal	1
4	D614	Danger Decal (Thrown Object Hazard)	2
5	00776609	Danger Decal, Thrown Object	1
6	D623	Decal, Warning - Pinch Point	2
7	D676	Warning Decal, Operators Safety	1
8	D1094	Danger Decal, Multi-Hazard	1
9	D1095	Danger Decal, Rotating Parts	1
10	D1096	Danger Decal, 300 Feet	2
11	D617	Warning Decal	1
12	50082335	Model Decal, BCSS-60	1
	50082336	Model Decal, BCSS-60LF	1
	50082337	Model Decal, BCSS-72	1
	50082338	Model Decal, BCSS-72LF	1
	50082339	Model Decal, BCSS-72HF	1
13	50083390	Bush Hog Decal, 4.52" x 29.70"	2
14	-----	Serial Number Plate	1

BCSS-90, BCSS-90HF DECALS



Item No.	Part No.	Description	Qty.
1	D546	Danger Decal, Guard Missing	1
2	D1100	Blade Rotation Decal	1
3	D559	Decal, Genuine Bush Hog Decal	1
4	D614	Danger Decal (Thrown Object Hazard)	2
5	00776609	Danger Decal, Thrown Object	1
6	D623	Decal, Warning - Pinch Point	2
7	D676	Warning Decal, Operators Safety	1
8	D1094	Danger Decal, Multi-Hazard	1
9	D1095	Danger Decal, Rotating Parts	1
10	D1096	Danger Decal, 300 Feet	2
11	D617	Warning Decal	1
12	50082340	Model Decal, BCSS-90	1
	50082341	Model Decal, BCSS-90HF	1
13	-----	Serial Number Plate	1
14	50083390	Bush Hog Decal, 4.52" x 29.70"	2

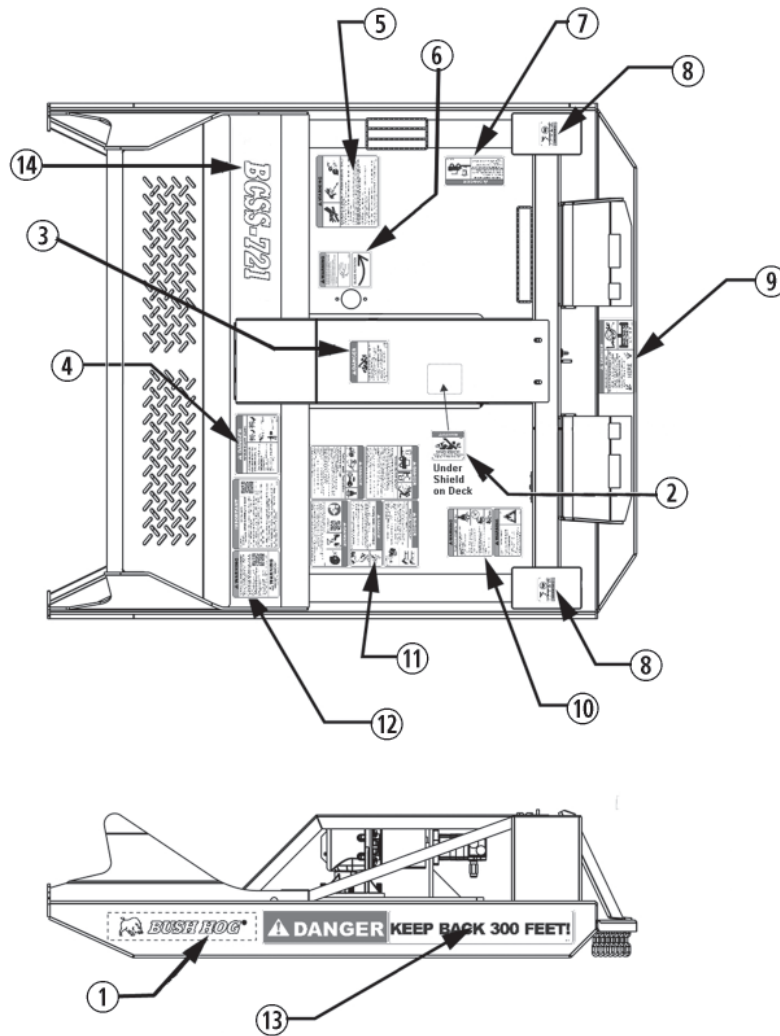
BCSS-S601, BCSS-S601LF BCSS-S721, BCSS-S721LF DECALS



Item No.	Part No.	Description	Qty.
1	50083391	Decal, Bush Hog 2.89" x 19.00"	2
2	D546	Danger Decal, Guard Missing	1
3	D1095	Danger Decal, Rotating Parts	1
4	D1104	Danger Decal (Thrown Object Hazard)	1
5	D617	Warning Decal	1
6	D1100	Blade Rotation Decal, CCW	1
7	00776609	Danger Decal, Thrown Object	1
8	D623	Warning Decal - Pinch Point	2
9	D1118	Danger Decal, Thrown Object Hazard	1
10	D676	Warning Decal, Operators Safety	1
11	D1117	Danger Decal, Multi-Hazard	1
12	D559	Decal, Genuine Bush Hog Decal	1
13	D1119	Danger Decal, 300 Feet	1
14	50083004	Model Decal, BCSS-S601	1
	50083005	Model Decal, BCSS-S601LF	1
	50083006	Model Decal, BCSS-S721	1
	50083007	Model Decal, BCSS-S721LF	1
15	-----	Serial Number Plate	1

Item not shown

BCSS-721, BCSS-721HF, BCSS-721LF DECALS



Item No.	Part No.	Description	Qty.
1	50083391	Decal, Bush Hog 2.89" x 19.00"	2
2	D546	Danger Decal, Guard Missing	1
3	D1095	Danger Decal, Rotating Parts	1
4	D1104	Danger Decal (Thrown Object Hazard)	1
5	D617	Warning Decal	1
6	D1100	Blade Rotation Decal, CCW	1
7	00776609	Danger Decal, Thrown Object	1
8	D623	Warning Decal - Pinch Point	2
9	D1118	Danger Decal, Thrown Object Hazard	1
10	D676	Warning Decal, Operators Safety	1
11	D1117	Danger Decal, Multi-Hazard	1
12	D559	Decal, Genuine Bush Hog Decal	1
13	D1119	Danger Decal, 300 Feet	1
14	50083001	Model Decal, BCSS-721	1
	50083002	Model Decal, BCSS-721HF	1
	50083003	Model Decal, BCSS-721LF	1
15	-----	Serial Number Plate	1

Item not shown



BUSH HOG®

2501 Griffin Ave.
Selma, AL. 36703