

RMB1880F
RMB2080F

BUSH HOG®

HYDRAULIC BOOM MOWER

Revised 04/24

PARTS MANUAL SECTION 127



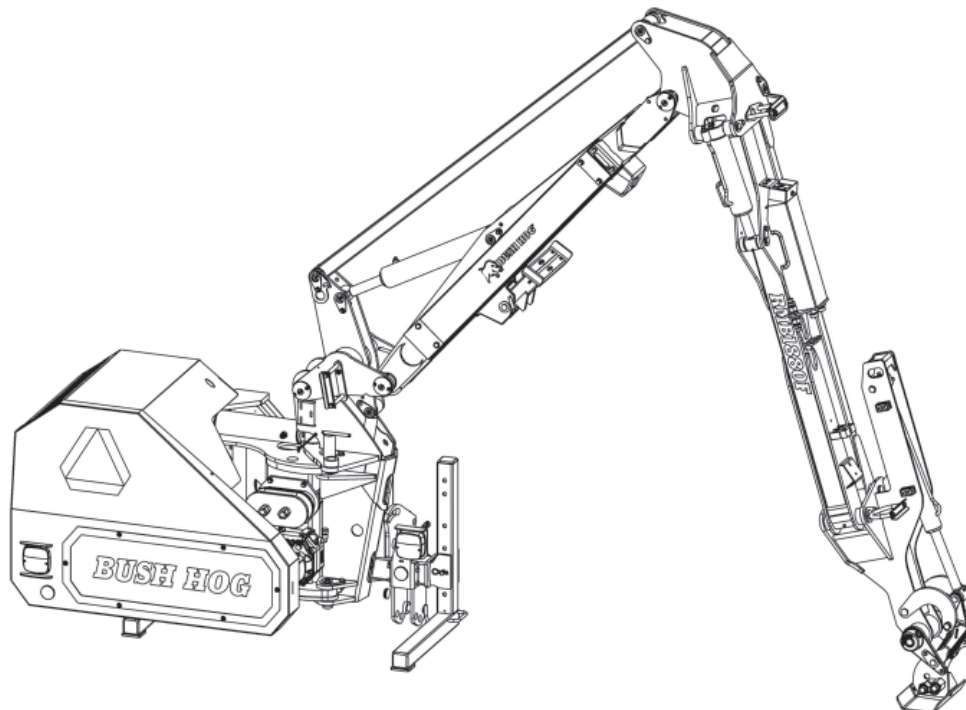
An Operator's Manual was shipped with the equipment. The Operator's Manual is an integral part of the safe operation of this machine and must be maintained with the unit at all times. **READ, UNDERSTAND, and FOLLOW** the Safety and Operation Instructions contained in this manual before operating the equipment. If the Operator's Manual is not with the equipment, contact your dealer or Bush Hog to obtain a copy before operating the equipment.

Safety Video

Important Operating and Safety Instructions are found in the Mower Safety Video that can be instantly accessed on the Internet at:
www.algqr.com/bve



www.algqr.com/bve



BUSH HOG®

2501 Griffin Ave.
Selma, AL 36703
Parts Ordering 1-800-304-2836
www.bushhog.com

ATENCIÓN! LEA EL INSTRUCTIVO

Si No Lee Ingles, Pida Ayuda a Alguien
Que Si Lo Lea Para Que le Traduzca las
Medidas de Seguridad.



**A MEMBER OF THE
ALAMO GROUP**
ALWAYS ON THE CUTTING EDGE®

© 2020 Alamo Group Inc.

PARTS ORDERING GUIDE

The following instructions are offered to help eliminate needless delay and error in processing purchase orders for the equipment in this section.

1. The Parts Section is prepared in logical sequence and grouping of parts that belong to the basic machine featured in this manual. Part Numbers and Descriptions are given to help locate the parts and quantities required.
2. The Purchase Order must include the name and address of the person or organization ordering the parts, who should be charged, and if possible, the serial number of the machine for which the parts are ordered.
3. The Purchase Order must clearly list the quantity of each part, the complete and correct part number (be sure to include all periods), and the basic name of the part.
4. The Manufacturer reserves the right to substitute parts where applicable.
5. Some parts are unlisted items which are special production items not normally stocked and are subject to special handling. Request a quotation for such parts before sending a Purchase Order.
6. The Manufacturer reserves the right to change prices without prior notice.



For maximum safety and to guarantee optimum product reliability, always use genuine **BUSH HOG** Parts. The use of inferior replacement parts may cause premature or catastrophic failure which could result in serious injury or death. Direct any questions regarding parts to:

BUSH HOG

2501 Griffin Ave.

Selma, AL. 36703

www.bushhog.com

Contact Us

800-304-2836



BUSH HOG®

To The Owner/Operator/Dealer

All implements with moving parts are potentially hazardous. There is no substitute for a cautious, safe-minded operator who recognizes the potential hazards and follows reasonable safety practices. The manufacturer has designed this implement to be used with all its safety equipment properly attached to minimize the chance of accidents.

BEFORE YOU START! Read the safety messages on the implement and shown in your manual. Observe the rules of safety and common sense!



DANGER

FAILING TO FOLLOW SAFETY MESSAGES AND OPERATING INSTRUCTION CAN CAUSE SERIOUS BODILY INJURY OR EVEN DEATH TO OPERATOR AND OTHERS IN THE AREA.

<p>1. </p>	<p>2. NO RIDERS. NO CHILDREN OPERATORS </p>	<p>3. USE SAFETY SHOES, HARD HAT, SAFETY GLASSES, SEAT BELTS ROPS & OPS. </p>	<p>4. BLOCK UP SECURELY BEFORE WORKING UNDER. </p>
---	--	---	---

1. Study and understand Operator's Manuals, Safety Decals, and Instructional Decals for tractor and implement to prevent misuse, abuse, and accidents. Practice before operating in a confined area or near passersby.
 - Learn how to stop engine suddenly in an emergency. Be alert for passersby and especially children.
2. Allow no children on or near folding mower or tractor. Allow no riders on tractor or implement. Falling off may cause serious injury or death from being run over by tractor or mower or contact with rotating blades.
3. Operate only with tractor having Roll-Over Protective Structure (ROPS) and with seat belt securely fastened to prevent injury and possible death from falling off or tractor overturn.
 - Personal Protective Equipment such as Hard Hat, Safety Glasses, Safety Shoes, & Ear Plugs are recommended.
4. Block up or support raised machine and all lifted components securely before putting hands or feet under or working underneath any lifted component to prevent crushing injury or death from sudden dropping or inadvertent operation of controls. Make certain area is clear before lowering or folding.
5. Before transporting, put Lift Lever in detent or full-lift position. Install Transport Safety Devices securely on folding mowers. Put Booms securely in Transport Rest.
 - Folding and Boom Mowers have raised center of gravity. Slow down when turning and on hillsides.
6. Make certain that SMV sign, warning lights, and reflectors are clearly visible. Follow local traffic codes.
7. Never operate with Cutting Head or Folding Section raised if passersby, bystanders, or traffic are in the area to reduce possibility of injury or death from objects thrown by Blades under Guards or mower structure.
8. Before dismounting, secure implement in transport position or lower to ground.
 - Put tractor in park position or set brake, disengage PTO, stop engine, remove key, and wait until noise of rotation has ceased to prevent crushing by entanglement in rotating parts which could cause injury or death.
 - Never mount or dismount a moving vehicle. Crushing from runover may cause serious injury or death.

<p>5. TRANSPORT SAFELY, LOCK UP. </p>	<p>6. USE SMV, LIGHTS, & REFLECTORS. </p>	<p>7. DO NOT OPERATE WITH CUTTER OR WING RAISED </p>	<p>8. DO NOT MOUNT OR DISMOUNT WHILE MOVING. </p>
--	--	--	--

02967827



WARNING

Cancer and Reproductive Harm

www.P65Warnings.ca.gov

WARRANTY INFORMATION:

Read and understand the complete Warranty Statement found in this Manual. Fill out the Warranty Registration Form in full and return it to within 30 Days. Make certain the Serial Number of the Machine is recorded on the Warranty Card and on the Warranty Form that you retain.

LIMITED WARRANTY



Bush Hog warrants to the original purchaser of any new Bush Hog equipment, purchased from an authorized Bush Hog dealer, that the equipment be free from defects in material and workmanship for a period of one (1) year for non-commercial, state and municipalities' use and ninety (90) days for commercial use from date of retail sale. The obligation of Bush Hog to the purchaser under this warranty is limited to the repair or replacement of defective parts.

Replacement or repair parts installed in the equipment covered by this limited warranty are warranted for ninety (90) days from the date of purchase of such part or to the expiration of the applicable new equipment warranty period, whichever occurs later. Warranted parts shall be provided at no cost to the user at an authorized Bush Hog dealer during regular working hours. Bush Hog reserves the right to inspect any equipment or parts which are claimed to have been defective in material or workmanship.

DISCLAIMER OF IMPLIED WARRANTIES & CONSEQUENTIAL DAMAGES

Bush Hog's obligation under this limited warranty, to the extent allowed by law, is in lieu of all warranties, implied or expressed, **INCLUDING IMPLIED WARRANTIES OF MERCHANTABILITY AND FITNESS FOR A PARTICULAR PURPOSE** and any liability for incidental and consequential damages with respect to the sale or use of the items warranted. Such incidental and consequential damages shall include but not be limited to: transportation charges other than normal freight charges; cost of installation other than cost approved by Bush Hog; duty; taxes; charges for normal service or adjustment; loss of crops or any other loss of income; rental of substitute equipment, expenses due to loss, damage, detention or delay in the delivery of equipment or parts resulting from acts beyond the control of Bush Hog.

THIS LIMITED WARRANTY SHALL NOT APPLY:

1. To vendor items which carry their own warranties, such as engines, tires, and tubes.
2. If the unit has been subjected to misapplication, abuse, misuse, negligence, fire or other accident.
3. If parts not made or supplied by Bush Hog have been used in connection with the unit, if, in the sole judgement of Bush Hog such use affects its performance, stability or reliability.
4. If the unit has been altered or repaired outside of an authorized Bush Hog dealership in a manner which, in the sole judgement of Bush Hog, affects its performance, stability or reliability.
5. To normal maintenance service and normal replacement items such as gearbox lubricant, hydraulic fluid, worn blades, or to normal deterioration of such things as belts and exterior finish due to use or exposure.
6. To expendable or wear items such as teeth, chains, sprockets, belts, springs and any other items that in the company's sole judgement is a wear item.

NO EMPLOYEE OR REPRESENTATIVE OF BUSH HOG IS AUTHORIZED TO CHANGE THIS LIMITED WARRANTY IN ANY WAY OR GRANT ANY OTHER WARRANTY UNLESS SUCH CHANGE IS MADE IN WRITING AND SIGNED BY BUSH HOG'S SERVICE MANAGER, 2501 GRIFFIN AVE., SELMA, ALABAMA 36703.



Record the model number, serial number and date purchased. This information will be helpful to your dealer if parts or service are required.

MODEL NUMBER _____

SERIAL NUMBER _____

MAKE CERTAIN THE WARRANTY HAS BEEN FILED WITH BUSH HOG SELMA, ALABAMA

DATE OF RETAIL SALE _____

ALPHABETICAL INDEX

RMB1880F &RMB2080F BOOM MOWER

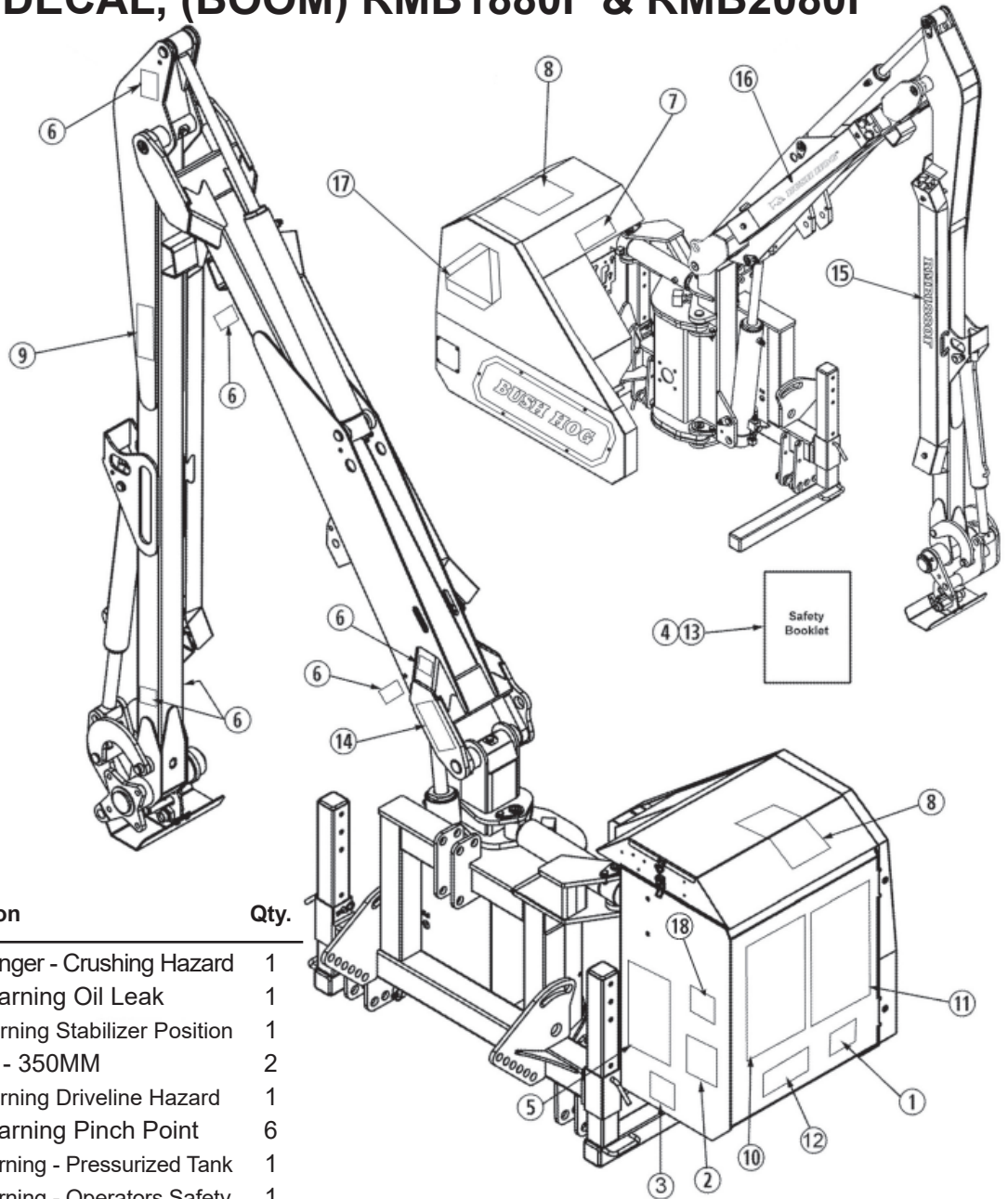
ITEM	PAGE NUMBER
5 BANK LH/RH PROP (MOTION/EVO) ACV ASSEMBLY	127-1-36
125 LPM DRIVE MODULE - 50" FLAIL HEAD	127-1-56
125 LPM DRIVE MODULE, 65HP, 1.5m - 60" FLAIL HEAD	127-1-64
ADAPTOR KIT, PROP MIDCUT/VFR	127-1-38, 127-1-39
ADVANCE FLOAT SENSOR MODULE, DT	127-1-48
BEARING UNIT MODULE - ROTARY HEAD	127-1-69
BLADE BAR KIT - ROTARY HEAD	127-1-76
CASING - 50" FLAIL HEAD	127-1-55
CASING, MULTICUT 1.5M MODULE - 60" FLAIL HEAD	127-1-63
CONTROL SOLENOID ASSEMBLY, 5 BANK	127-1-40
COOLER	127-1-44
COOLER ASSEMBLY, RH	127-1-43
COVERS, RH MODULE	127-1-14, 127-1-15
DIPPER, CENTER RH MODULE	127-1-6
DIPPER, LOWER RH MODULE	127-1-7
DIPPER, UPPER RH MODULE	127-1-5
DECAL KIT - ROTARY HEAD	127-1-72
DUAL DIRECTION SOFT START RCV ASSEMBLY, RH	127-1-45, 127-1-46
EVOLUTION CONTROLS	127-1-41
EVOLUTION REMOTE MOUNTING KIT	127-1-42
FLAP MODULE, 1.2M - ROTARY HEAD	127-1-79
FLAIL HEADS	127-1-54
FLOAT KIT, ANGLE - ELEC VALVE DT	127-1-83
FLOAT KIT, LIFT - ELEC OP DT CONNECTOR	127-1-84, 127-1-85
FRONT FLAP KIT - 50" FLAIL HEAD	127-1-61
FRONT FLAP KIT, 1.5M, HEAVY DUTY - 60" FLAIL HEAD	127-1-67
GEARBOX ASSEMBLY - PARTS (COMER)	127-1-32, 127-1-33
GUARD KIT	127-1-53
HEAD, ANGLING	127-1-8
HEAD CASING MODULE - ROTARY HEAD	127-1-70
HOSE KIT	127-1-35
HYDRAULIC CYLINDER - ANGLE	127-1-28
HYDRAULIC CYLINDER - LIFT	127-1-27
HYDRAULIC CYLINDER - REACH (RMB1880F)	127-1-25
HYDRAULIC CYLINDER - REACH (RMB2080F)	127-1-26
HYDRAULIC CYLINDER - SLEW	127-1-24
HYDRAULIC CYLINDER - VFR	127-1-29

ALPHABETICAL INDEX

RMB1880F & RMB2080F BOOM MOWER

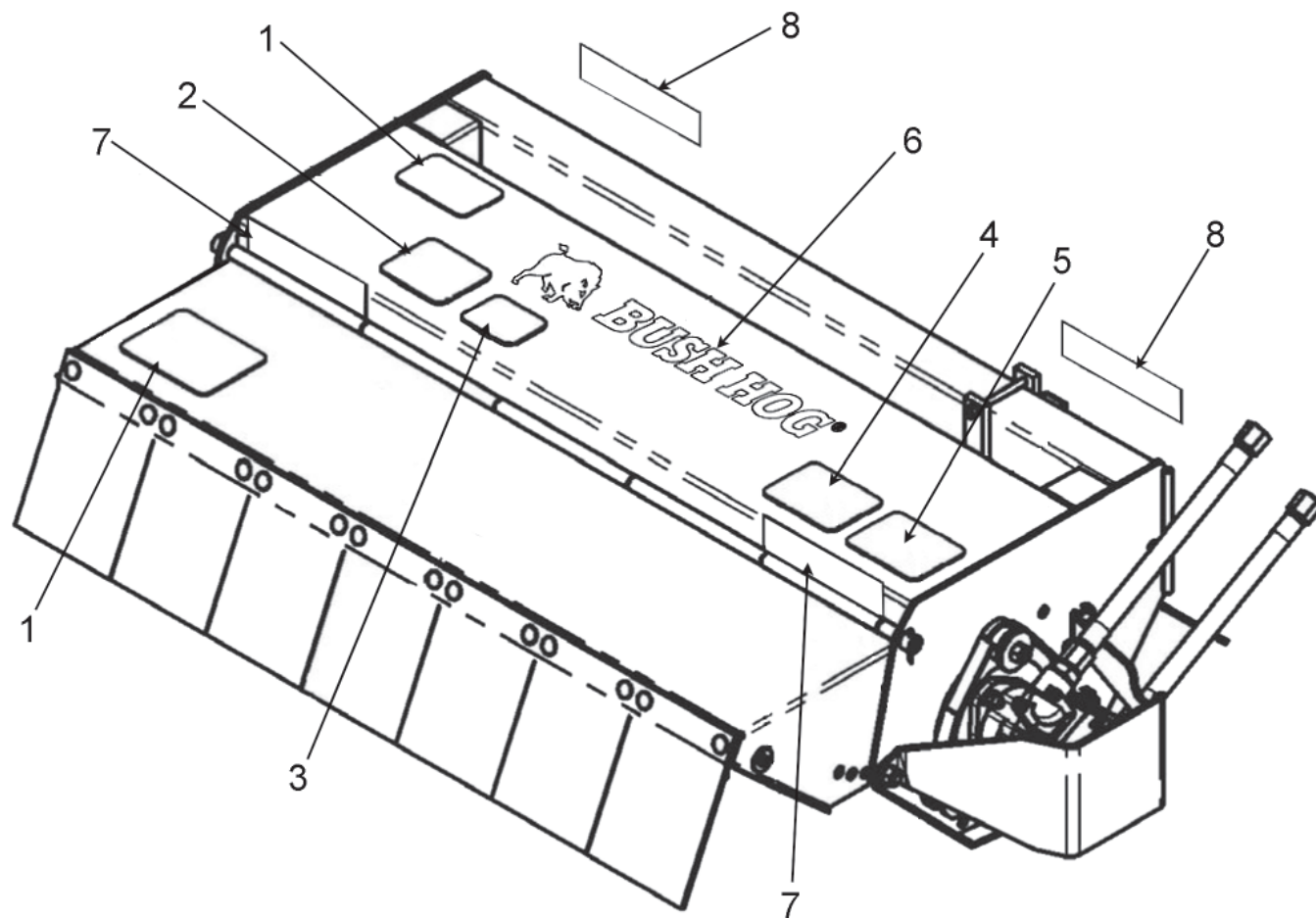
ITEM	PAGE NUMBER
HYDRAULIC HOOD RAM, 50 BORE - ROTARY HEAD	127-1-54
HYDRAULIC HOSES AND FITTINGS (RMB1880F)	127-1-20, 127-1-21
HYDRAULIC HOSES AND FITTINGS (RMB2080F)	127-1-22, 127-1-23
HYDRAULICS INSTALLATION MODULE - ROTARY HEAD	127-1-73, 127-1-74
LIFT STOP KIT	127-1-51
LIGHTING, RH MODULE	127-1-49, 127-1-50
MAIN ARM, RH MODULE	127-1-4
MAINFRAME RH, MODULE	127-1-12, 127-1-13
MAINFOLD ASSEMBLY, 5 BANK	127-1-37
MOTOR COVER MODULE, LH 52-65 HP, 50" & 60" FLAIL HEAD	127-1-59
MOTOR MODULE - ROTARY HEAD	127-1-78
PILLAR, RH	127-1-10, 127-1-11
PIVOT MTG. BRACKET MODULE, 1.5M - ROTARY HEAD	127-1-71
PUMP AND GEARBOX ASSEMBLY, RH	127-1-30, 127-1-31
QUAD DRIVE MODULE, MULTICUT - 50" & 60" FLAIL HEAD	127-1-62
RETURN FILER ASSEMBLY	127-1-18, 127-1-19
ROCKER MODULE	127-1-9
ROLLER, 1.2 DMS - 50" FLAIL HEAD	127-1-60
ROLLER ASSEMBLY, 1.5M - 60" FLAIL HEAD	127-1-66
ROTOR ASSEMBLY - 50" FLAIL HEAD W/BOOT FLAILS	127-1-57
ROTOR ASSEMBLY - 50" FLAIL HEAD W/OMEGA FLAILS	127-1-58
ROTOR ASSEMBLY, 1.5M FORGED BOOT - 60" FLAIL HEAD	127-1-65
SAFETY DECALS (BOOM)	127-1-1
SAFETY DECALS (CUTTER HEAD)	127-1-2
SEAL PROTECTION KIT - ROTARY HEAD	127-1-77
SKID KIT (MULTICUT - FLAILHEAD)	127-1-82
SOFT START RCV	127-1-47
STABILIZER, NARROW NOSE MODULE - TYPE 2 LOCKOUT	127-1-3
STABILIZER, TONGUE - OPTIONS	127-1-80
STOP MODULE - ROTARY HEAD	127-1-68
TANDEM PUMP ASSEMBLY	127-1-34
TANK MODULE, RH	127-1-16, 127-1-17
TRANSPORT PROP MODULE VFR	127-1-52

SAFETY DECAL, (BOOM) RMB1880F & RMB2080F



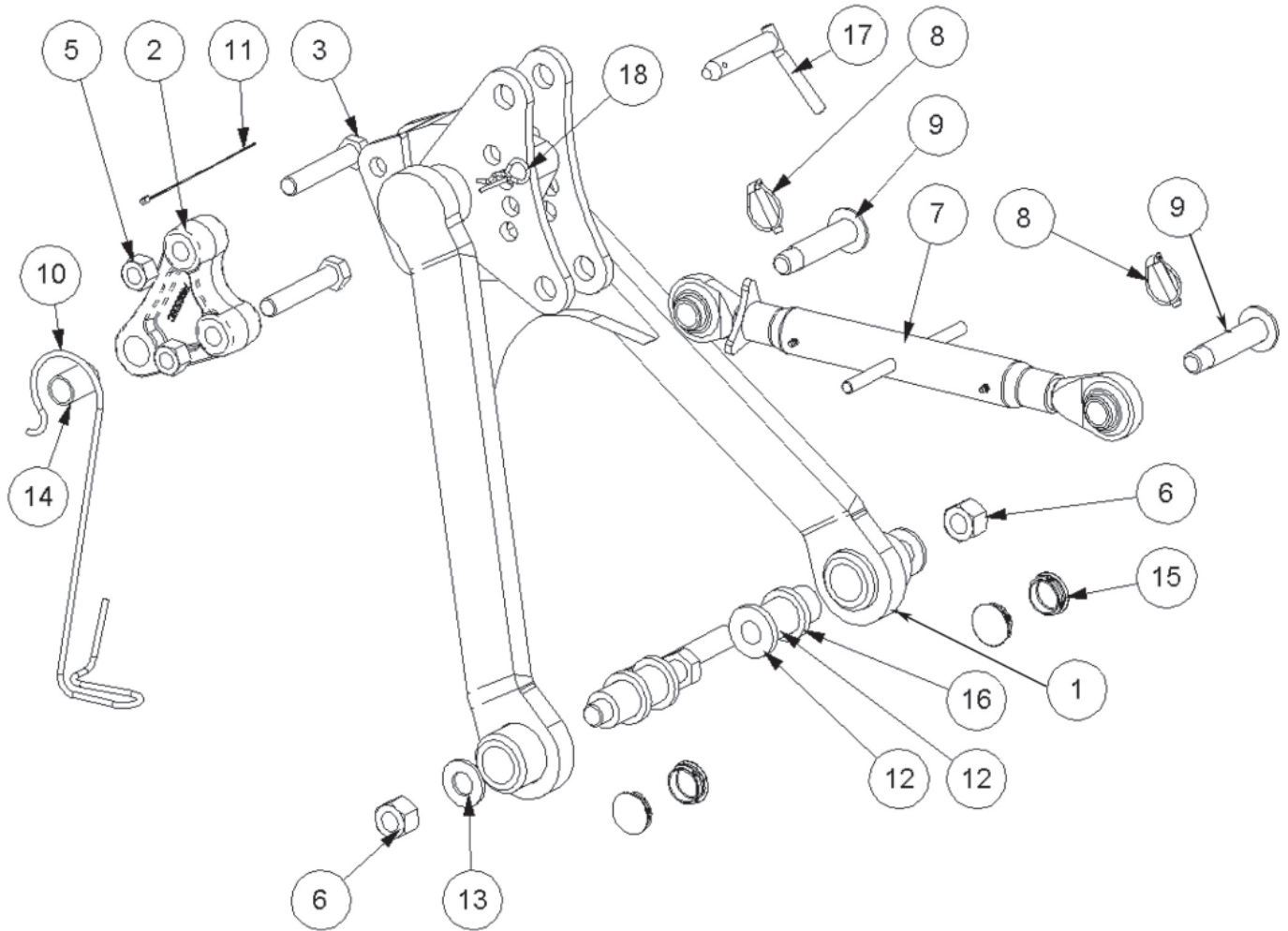
Item No.	Part No.	Description	Qty.
1	D628	Decal, Danger - Crushing Hazard	1
2	D617	Decal, Warning Oil Leak	1
3	D716	Decal, Warning Stabilizer Position	1
4	7196045	Hose Tie - 350MM	2
5	D547	Decal, Warning Driveline Hazard	1
6	D623	Decal, Warning Pinch Point	6
7	D625	Decal, Warning - Pressurized Tank	1
8	D618	Decal, Warning - Operators Safety	1
9	D719	Decal, Danger, Auto Breakaway	1
10	D823	Decal, Danger Multi Hazard	1
11	D825	Decal, Danger Multi-Lingual	1
12	D723	Decal, Lubrication Chart	1
13	-----	Decal, Booklet	1
14	1291133 5565791	Decal, Notice - Arm Reversing Decal Kit	1
		(consists of items 15-17)	
15	50081483	Decal, Model RMB1880F	1
	50081484	Decal, Model RMB2080F	1
16	50083389	Decal, Bush Hog - 15.00"	1
17	83380	Decal, SMV	1
18	D559	Decal, Genuine Bush Hog Parts	1

SAFETY DECAL (CUTTER HEAD)



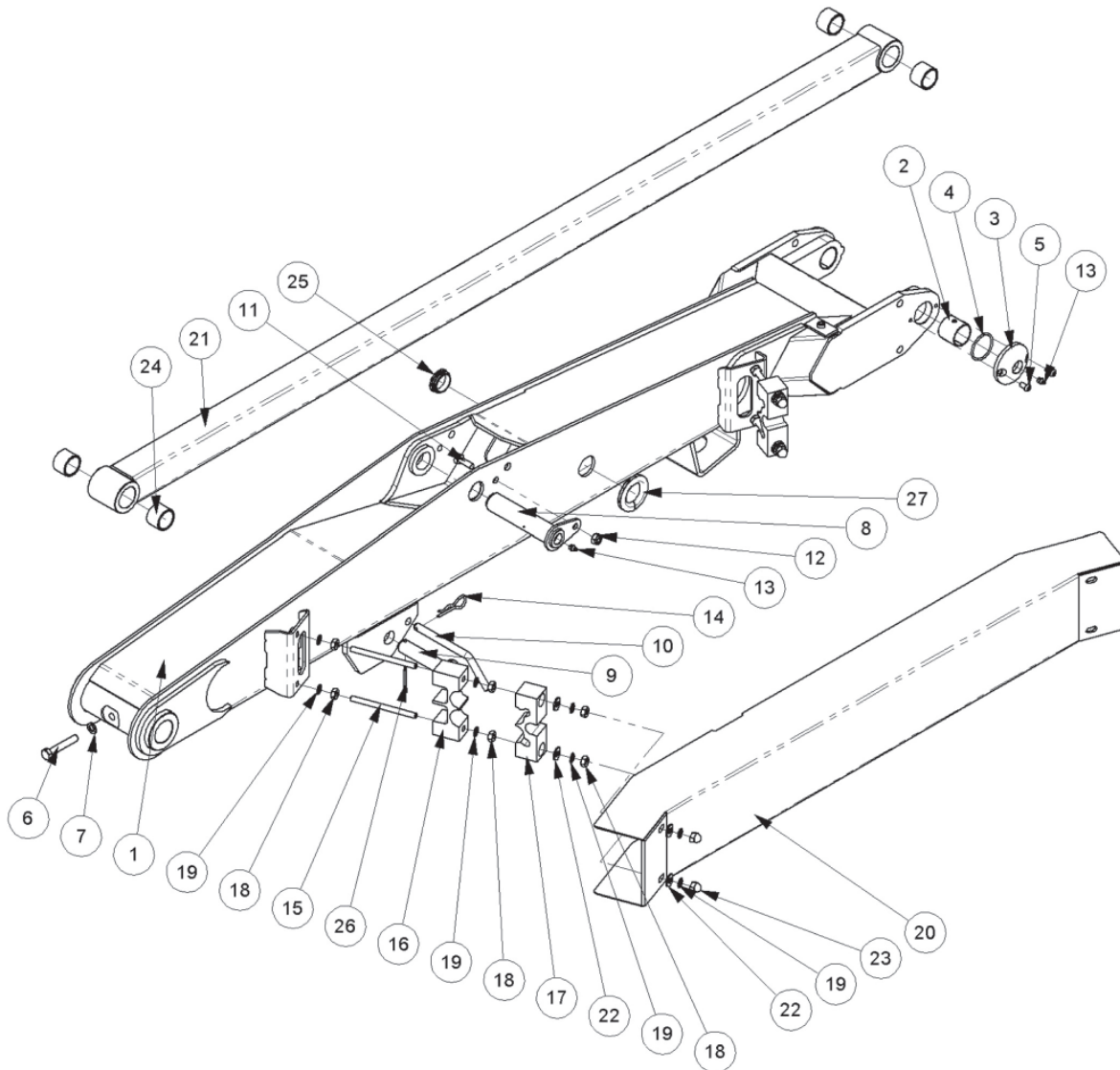
Item No.	Part No.	Description	Qty.
1	D626	Decal, Deflector Warning	2
2	D720	Decal, Blade Bolt Torque	1
3	D724	Decal, Lubrication Chart	1
4	D559	Decal, Use Bush Hog Genuine Parts	1
5	D717	Decal, Thrown Objects Hazard	1
6	50083388	Decal, Bush Hog Logo	1
7	1458393	Reflector, Yellow	2
8	1458392	Reflector, Red	2

STABILIZER, NARROW NOSE MODULE - TYPE 2 LOCKNUT RMB1880F & RMB2080F



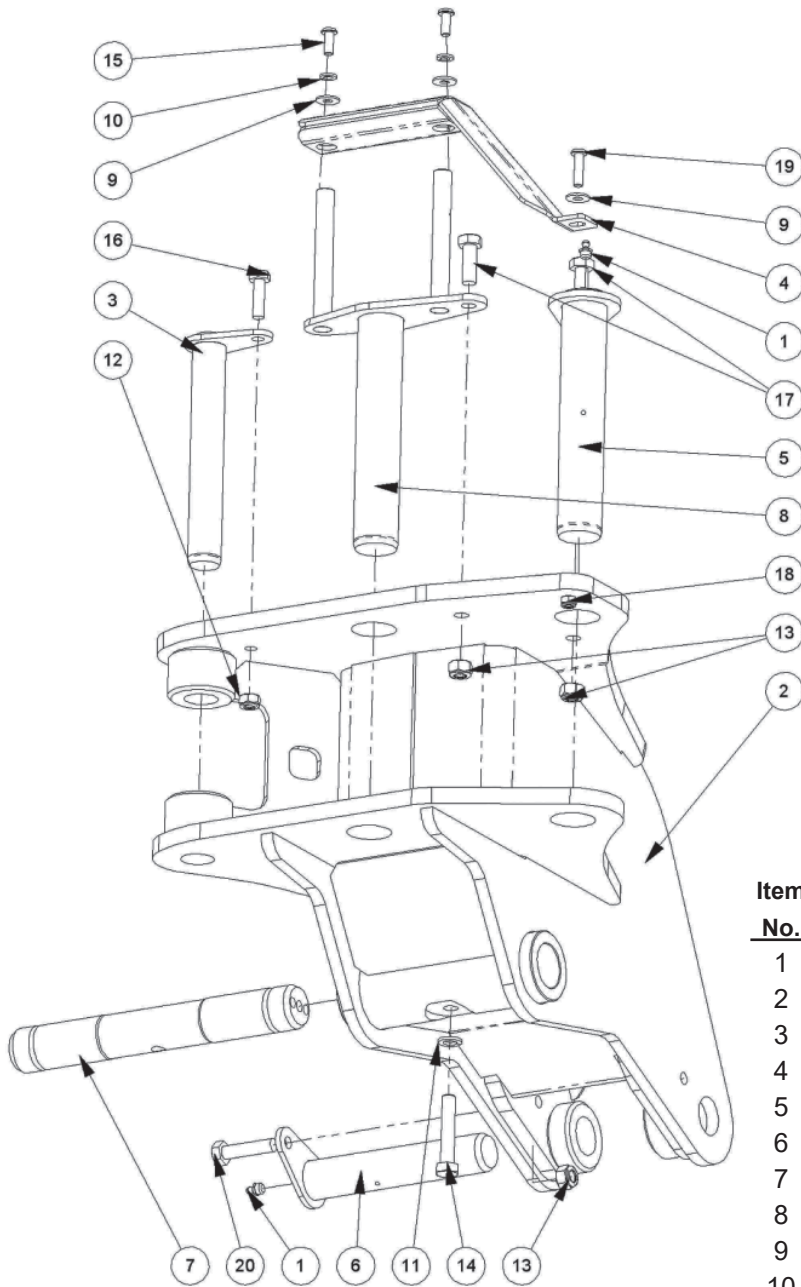
Item No.	Part No.	Description	Qty.	Item No.	Part No.	Description	Qty.
1	41205.14	Narrow Nose Stabilizer, Type 2	1	10	21160.03	PTO Hook	1
2	7499506C	Stabilizer Tongue - Cat.3 - Cast	1	11	7196045	Hose Tie - 350MM	1
3	9213228	Bolt, M20 x 110	2	12	45999.05	Spacer, Sleeve	2
4	9213309	Bolt, M24 x 150	2	13	9100109	Flatwasher, M24	2
5	9163008	Nyloc Nut, M20	2	14	21883.01	Sleeve - Cat 2-3 Top Link	1
6	9163009	Nyloc Nut, M24	2	15	21388.01	Round Plastic Insert, 45MM Dia	4
7	21370.01	Top Link Assy - 515.0 To 781.0	1	16	45999.04	Spacer, 55 X 40.5 X 9	2
8	0431217	Lynch Pin	2	17	45784.01	Quadrant Pin	1
9	7560144	Top Link Pin	2	18	0431105	Spring Cotter (Dia. 4.0 Wire)	1

MAIN ARM, RH MODULE - RMB1880F & RMB2080F



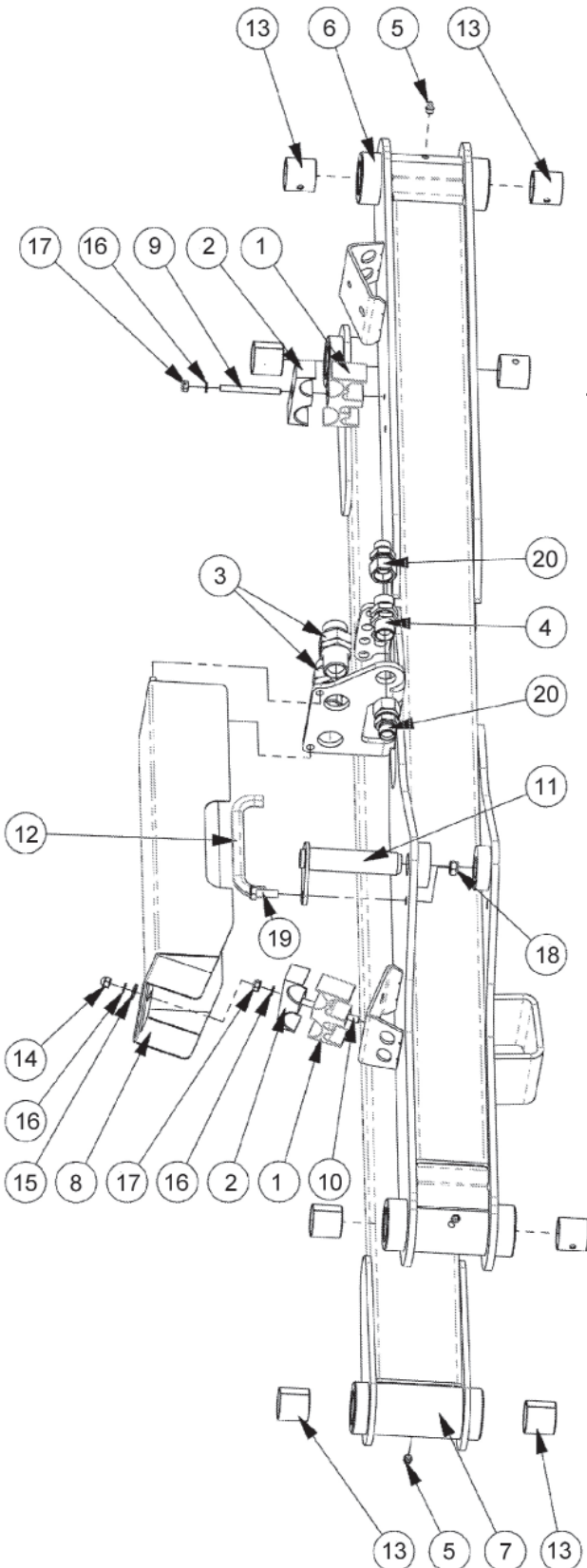
Item No.	Part No.	Description	Qty.	Item No.	Part No.	Description	Qty.
1	21279.23	RH Main Arm - DX	1	16	42024.31	Hose Clamp	2
2	7115208	Bush, PM 4040DX	2	17	42024.28	Multi Clamp Upper	2
3	45266.01	Pin Cap	2	18	9113005	Nut, Plain, M10	12
4	8600303	O-Ring 225	2	19	9100405	Ext. Washer, M10	16
5	9300159	Button, M8 x 16 HD SKT	4	20	23349.08	Hose Cover, RMB1880F	1
6	9213146	Bolt, M12 x 70	1		23349.18	Hose Cover, RMB2080F	1
7	9100206	Spring Washer, M12	1	21	21280.08	Tension Link, RMB1880F	1
8	45202.08	Pin	1		21280.07	Tension Link, RMB2080F	1
9	43023.01	Pin - Transport Prop	1	22	9100105	Flatwasher, M10	8
10	43074.01	Lock Pin, Transport Prop	1	23	9100025	Dome Nut, M10	4
11	9313065	Setscrew, M10 x 30	1	24	08.297.05	Bush 42 X 35 X 30	4
12	9163005	Nyloc Nut, M10	1	25	21388.01	Round Plastic Insert, 45MM Dia.	1
13	0901121	Grease Nipple, 1/8" BSP STR.	3	26	9501406	Split Pin, M5 x 40	1
14	0431105	Spring Cotter (4.0 Dia. Wire)	1	27	03.231.12	Rubber Edging, 150MM	1
15	42198.01	Stud, M10 x 130	4				

DIPPER, UPPER RH MODULE - RMB1880F & RMB2080F



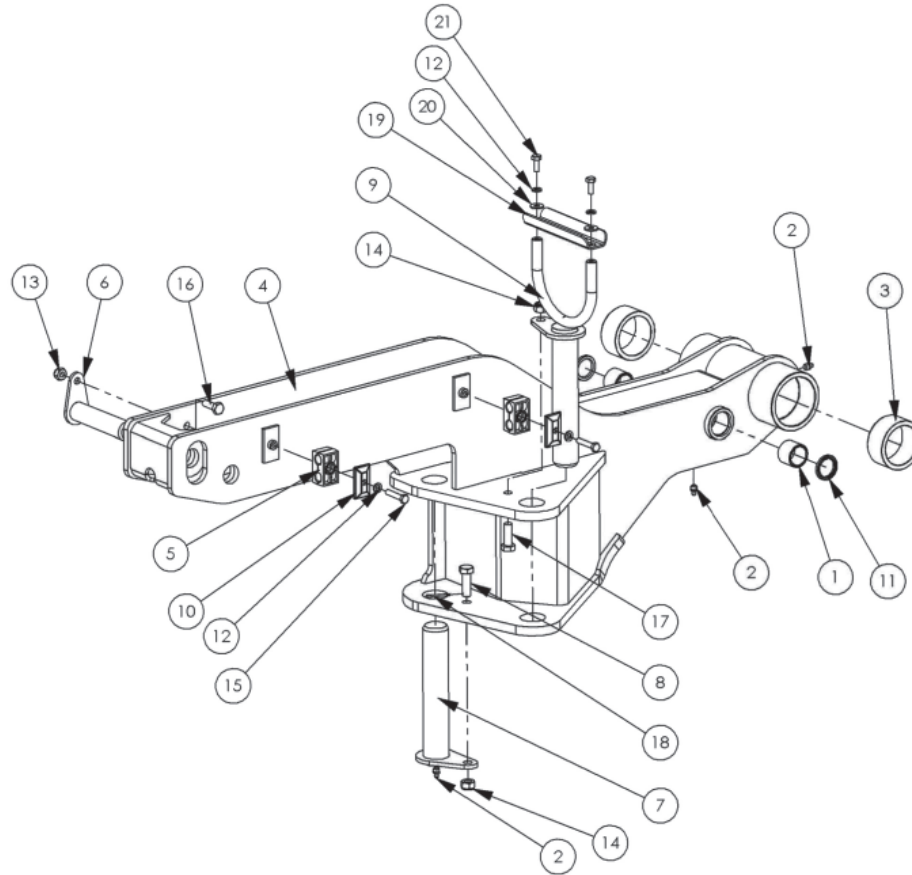
Item No.	Part No.	Description	Qty.
1	0901121	Grease Nipple, 1/8" BSP STR.	2
2	22464.08	RH Upper Dipper	1
3	42684.25	Pin W.A., 30 Dia.	1
4	22825.01	Hose Retainer	1
5	43324.15	Pin, 40 Dia.	1
6	45202.11	Pin, Tension Link Upper Dipper	1
7	45264.01	Main Pivot Pin	1
8	45609.03	Pin, Upper Dipper Section	1
9	9100104	Flatwasher, M8	3
10	9100204	Spring Washer, M8	2
11	9100206	Spring Washer, M12	1
12	9163005	Nyloc Nut, M10	1
13	9163006	Nyloc Nut, M12	3
14	9213136	Bolt, M12 x 65	1
15	9300161	Socket Button Screw, M8 x 20	2
16	9313075	Setscrew, M10 x 35	1
17	9313076	Setscrew, M12 x 35	2
18	9163004	Nyloc Nut, M8	1
19	9300151	Button Head Capscrew, M8 x 30	1
20	9313106	Setscrew, M12 x 50	1

DIPPER, CENTER RH MODULE - RMB1880F & RMB2080F



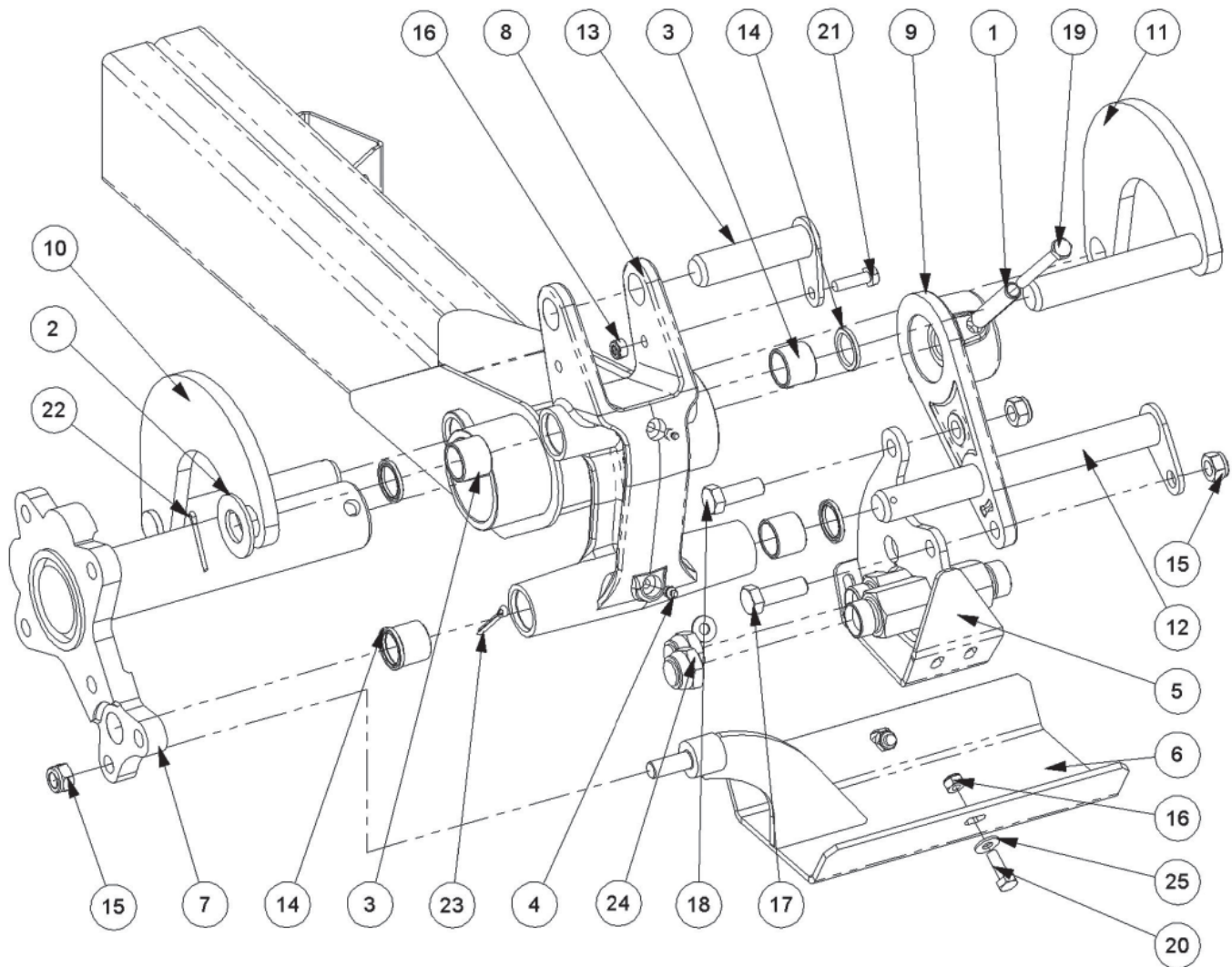
Item No.	Part No.	Description	Qty.
1	06.430.27	Hose Clamp, Lower	2
2	06.430.28	Hose Clamp, Upper	2
3	08.128.03	1" BSP Bulkhead Adaptor CW Nut BZP	2
4	T8085	3/4" BSP Bulkhead Adaptor CW Nut BZP	1
5	0901121	Grease Nipple, 1/8" BSP STR.	4
6	22465.04QR	RH Center Dipper Section-QR, RMB1880F	1
	22465.06QR	RH Center Dipper Section-QR, RMB2080F	1
7	22466.02	Dipper Parallel Link, RMB1880F	1
	22466.03	Dipper Parallel Link, RMB2080F	1
8	22522.21	RH Hose Guard, RMB1880F	1
	22522.22	RH Hose Guard, RMB2080F	1
9	22654.01	Stud, M8 x 83	1
10	23016.02	Stud, M8 x 105MM LG	1
11	42684.07	Pin	1
12	43468.10	Edging Strip,(194 MM LG)	1
13	7115208	Bush PM 4040DX	8
14	9100031	Domed Nut, M8 Plated	1
15	9100104	Flatwasher, M8	1
16	9100404	Washer, M8	3
17	9163004	Nyloc Nut, M8	2
18	9163005	Nyloc Nut, M10	1
19	9313065	Setscrew, M10 x 30	1
20	8581478	Adaptor, 5/8"M x 3/4"F	2

DIPPER, LOWER RH MODULE - RMB1880F & RMB2080F



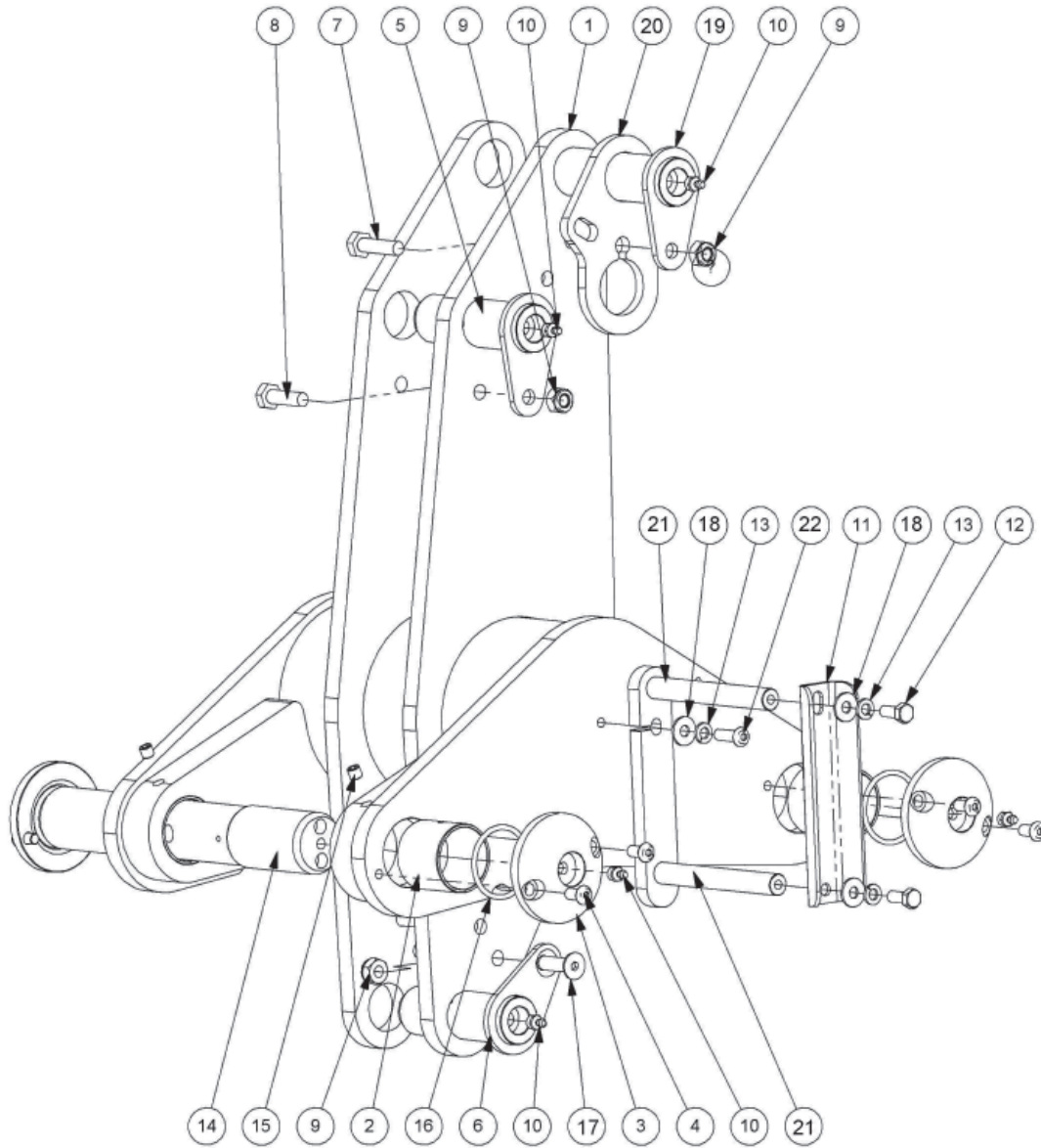
Item No.	Part No.	Description	Qty.
1	22774.04	THK Wall DX Bush 37 x 30 x 30	2
2	0901121	Grease Nipple, 1/8" BSP STR.	3
3	7136038	Plastic Bush	2
4	22463.02	RH Lower Dipper Section	1
5	7193065	Hose Clamp, 13.5 Dia (X2)	2
6	42684.07	Pin	1
7	43324.15	Pin, 40 Dia.	1
8	45416.01	Setscrew, Special M12 x 40	1
9	45609.02	Pin, CW Hose, Guide, Dipper	1
10	7193066	Clamp Plate	2
11	8629218	Lip Seal, 30 x 40 x 4	2
12	9100204	Spring Washer, M8	4
13	9163005	Nyloc Nut, M10	1
14	9163006	Nyloc Nut, M12	2
15	9213084	Bolt M8 x 40	2
16	9313065	Setscrew, M10 x 30	1
17	9313076	Setscrew, M12 x 35	1
18	9501255	Split Pin, M4 x 25	1
19	43048.10	Hose Retainer	1
20	9100104	Flatwasher, M8	2
21	9313044	Setscrew, M8 x 20	2

HEAD, ANGLING - RMB1880F & RMB2080F



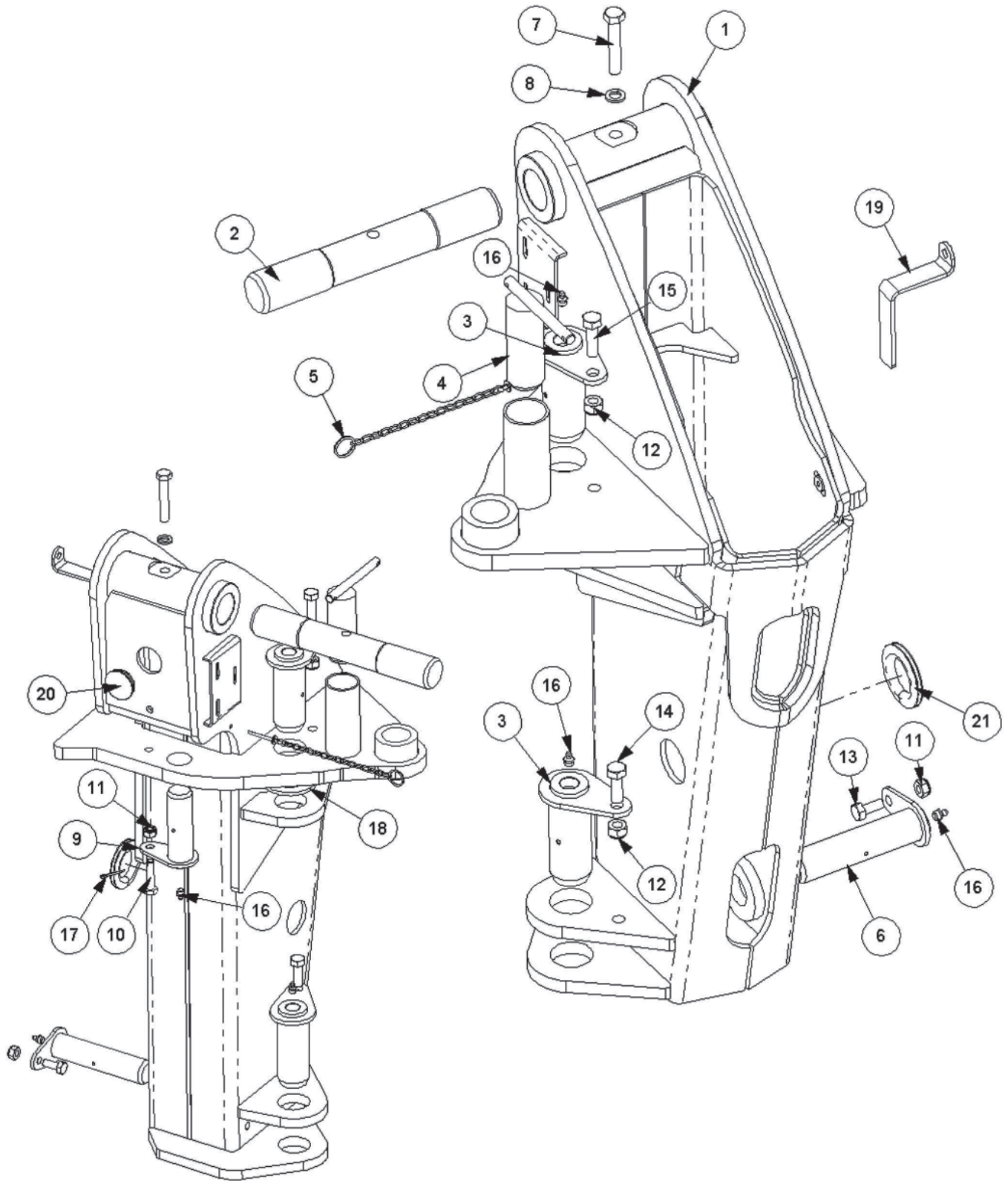
Item No.	Part No.	Description	Qty.	Item No.	Part No.	Description	Qty.
1	0423556	Spring Dowel, 5/8" x 3-1/2"	1	14	8629218	Lip Seal, 30 x 40 x 4	4
2	05.281.18	Flatwasher, M30	2	15	T7942	Nut, M16 x 1.5P Nyloc	3
3	22774.04	Thk Wall DX Bush 37 x 30 x 30	4	16	9163005	Nyloc Nut, M10	4
4	0901121	Grease Nipple, 1/8" BSP STR	2	17	9200025	Bolt, M16 x 1.5P, Nyloc	1
5	21261.11	Junction Bracket., 1"BSP	1	18	9200028	Nyloc Bolt, M16 x 1.5P, 45 Long	1
6	21262.01	Hose Tray	1	19	9213205	Bolt, M10 x 100	1
7	21263.01	Pivot Tube	1	20	9313065	Setscrew, M10 x 30	2
8	21801.01	Slave Link, Cast	1	21	9313075	Setscrew, M10 x 35	1
9	42648.01C	Jaw Plate Casting (30MM Hole)	1	22	9501406	Split Pin, M5 x 40	2
10	42646.03	Radius Arm, Type 1	1	23	9501507	Split Pin, M6 x 50	1
11	42646.04	Radius Arm, Type 2	1	24	8582058	Blanking Cap, 1"BSP	2
12	42684.01	Pin, Slave Link	1	25	9100105	Flatwasher, M10	2
13	42684.05	Pin	1				

ROCKER MODULE - RMB1880F & RMB2080F



Item No.	Part No.	Description	Qty.	Item No.	Part No.	Description	Qty.
1	45059.09	Rocker W.A., DX Bushes	1	12	9313044	Setscrew, M8 x 20	2
2	21649.05	Bush PM 4545DX	4	13	9100204	Spring Washer, M8	3
3	45266.01	Pin Cap	4	14	45264.04	Arm Pivot Pin	1
4	9300159	Button, HD SKT. M8 x 16	8	15	8582041	Taper Plug, 1/8" BSPT	2
5	45202.04	Pin, Slew Rod	1	16	8600303	O-Ring, 225	4
6	45202.10	W/Assembly, Pin, Rod End, Lift Ram	1	17	9353075	Capscrew, M10 x 35 SKT CSK	1
7	9313085	Setscrew, M10 x 40	1	18	9100104	Flatwasher, M8	3
8	9313075	Setscrew, M10 x 35	1	19	45202.01	Pin W/Assembly	1
9	9163005	Nyloc Nut, M10	3	20	22667.01	Slings Eye	1
10	0901121	Grease Nipple, 1/8" BSP STR.	7	21	43048.17	Hose Clamp, Single Bolt	2
11	43048.10	Hose Retainer	1	22	9300158	Capscrew, Button Head M8 x 25	1

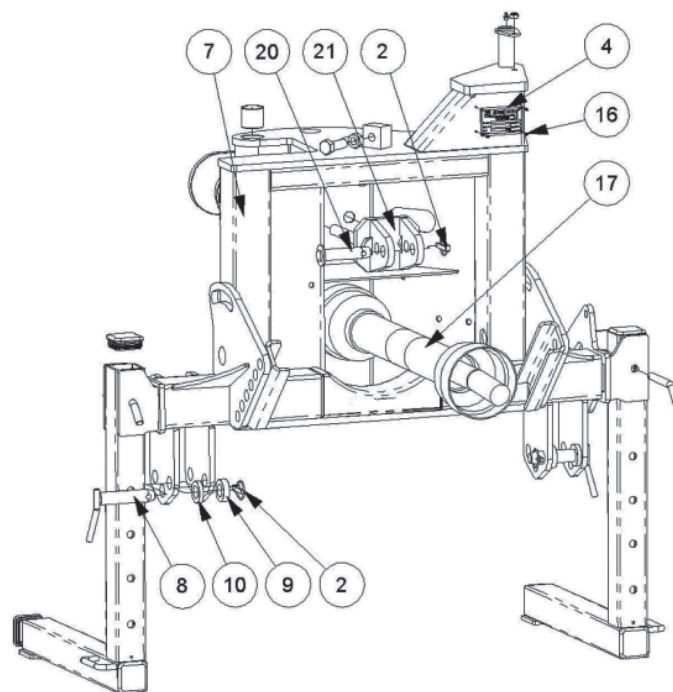
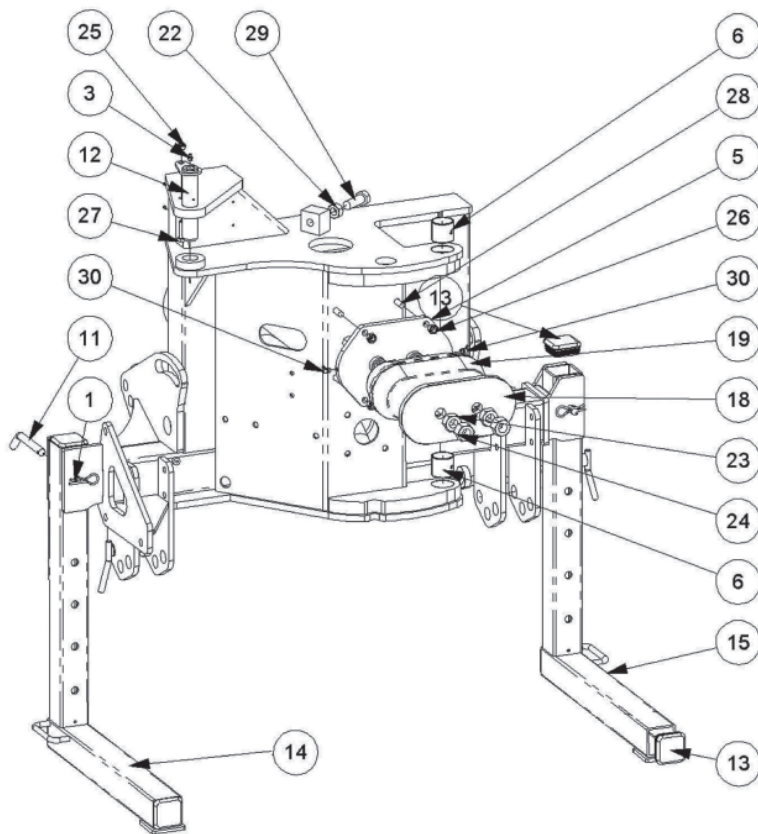
PILLAR, RH - RMB1880F & RMB2080F



PILLAR, RH - RMB1880F & RMB2080F

Item No.	Part No.	Description	Qty.
1	21273.06	RH Pillar	1
2	45264.04	Arm Pivot Pin	1
3	45271.03	Slew Pivot Pin	2
4	43323.01	Slew Lock Pin	1
5	03.255.05	Chain, Ring Assembly	1
6	45202.05	Slew Base Pin	1
7	9213146	Bolt, M12 x 70	1
8	9100206	Spring Washer, M12	1
9	45202.04	Pin, Slew - Rod	1
10	42269.07	Special Bolt, M10 x 45	1
11	9163005	Nyloc Nut, M10	2
12	9163006	Nyloc Nut, M12	2
13	9313055	Setscrew, M10 x 25	1
14	9313076	Setscrew, M12 x 35	1
15	9313086	Setscrew, M12 x 40	1
16	0901121	Grease Nipple, 1/8" BSP STR.	4
17	9501255	Split Pin, M4 x 25	1
18	45298.02	Thrust Washer, 75 x 46 x 5	1
19	21193.01	Tap Handle	1
20	21388.01	Plastic Insert, 45MM Dia.	1
21	03.231.12	Rubber Edging, 150MM	1

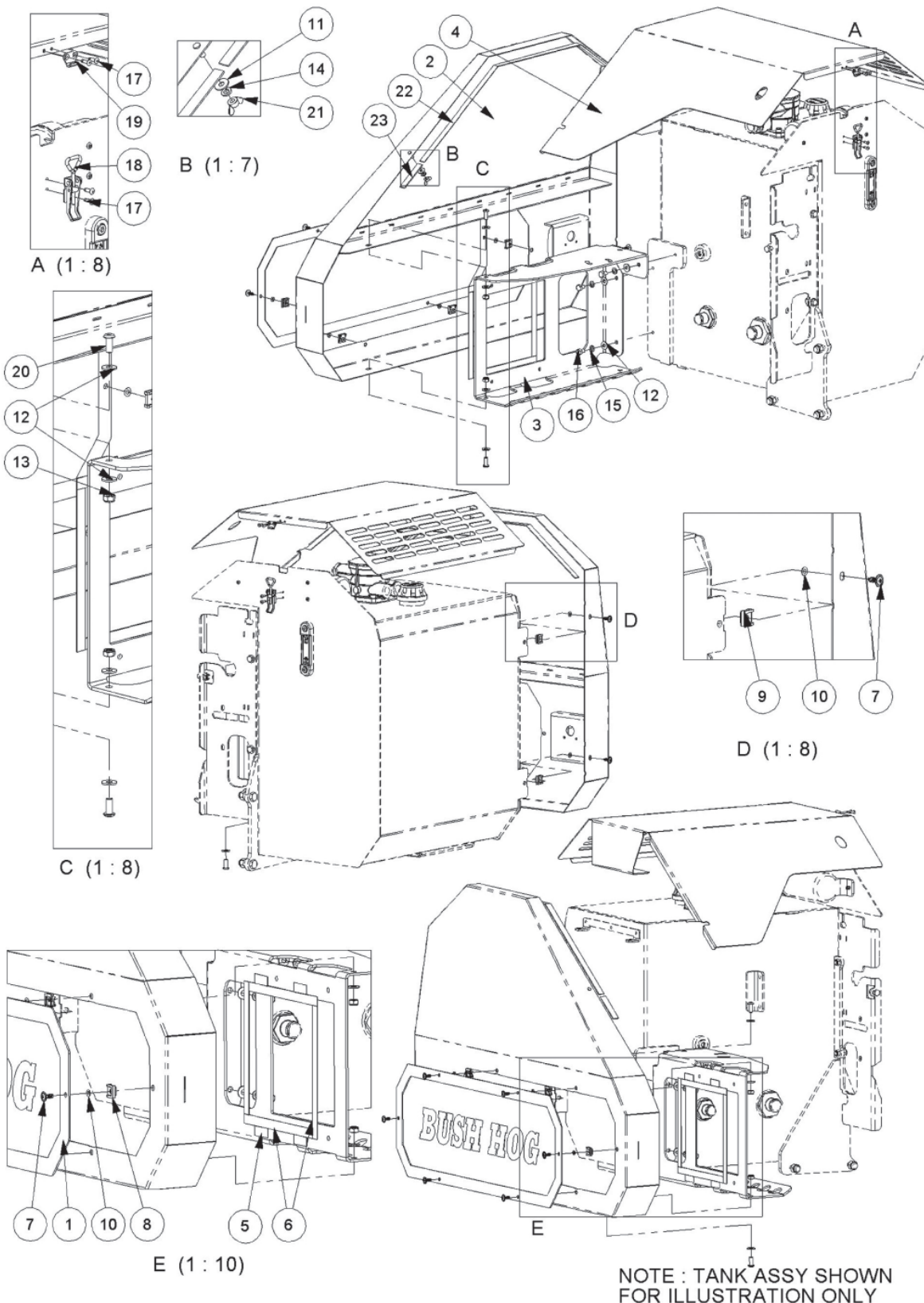
MAINFRAME, RH MODULE - RMB1880F & RMB2080F



MAINFRAME, RH MODULE - RMB1880F & RMB2080F

Item No.	Part No.	Description	Qty.
1	0431105	Spring Cotter (Dia. 4.0 Wire)	2
2	0431217	Lynch Pin	3
3	0901121	Grease Nipple, 1/8" BSP STR.	1
4	-----	Serial Number Plate	1
5	21277.01	Wear Plate	1
6	21649.05	Glacier Bush, 45 x 50 x 45	2
7	22970.04	RH Mainframe	1
8	41559.01	Linkage Pin, W/Assembly, Cat. 2	2
9	43332.01	Spacer, Linkage, 15 LG	2
10	43332.02	Spacer, Linkage, 10 LG	2
11	43327.02	Leg Pin	2
12	45202.08	Pin	1
13	45210.01	Plastic Lug, 70 x 70	6
14	45293.07	LH Stand Leg	1
15	45293.08	RH Stand Leg	1
16	7103230	Pop Rivet, 1/8"	4
17	7550346	PTO Shaft	1
18	7560130	Reaction Plate	1
19	7560141	Rubber Spring	1
20	7560144	Top Link Pin	1
21	7560398	Top Hitch Bracket Kit	1
22	9113008	Nut, M20	1
23	9113009	Plain Nut, M24 BZP	2
24	9163009	Nyloc Nut, M24	2
25	9163005	Nyloc Nut, M10	1
26	9163006	Nyloc Nut, M12	4
27	9213085	Bolt, M10 x 40	1
28	9313076	Setscrew, M12 x 35	4
29	9313118	Setscrew, M20 X 55	1
30	0901124	Grease Nipple, 1/8" BSP	2

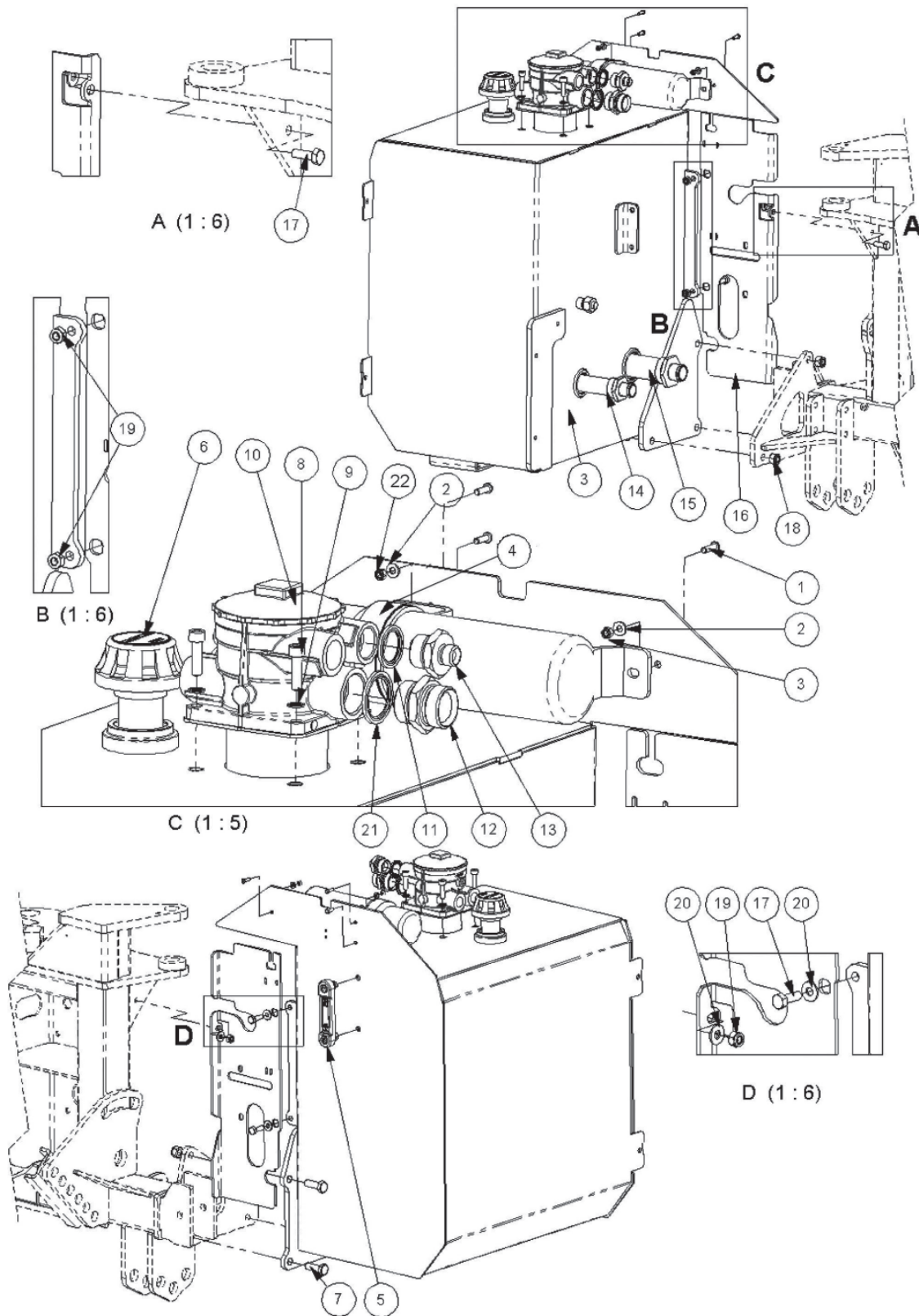
COVERS, RH MODULE - RMB1880F & RMB2080F



COVERS, RH MODULE - RMB1880F & RMB2080F

Item No.	Part No.	Description	Qty.
1	21386.06BH	Cooler Mesh Guard	1
2	22476.06R	RH Rear Cover	1
3	22352.02	RH Cooler, Cover & Valve Mtg	1
4	23357.04	RH Cooler Cover	1
5	21726.31	Self Adhesive Foam Strip, 50mm LG.	4
6	21726.43	Foam Strip, 50MM LG.	4
7	22549.01	Fast Turn Size 8, Short Nose, Slotted Head Stud 14 LG.	8
8	22549.04	Fast Turn Size 8, Slip-On Receptacle 0.5-3.0 MM	6
9	22549.02	Fast Turn Size 8, Slip-On Receptacle 0.5-5.5 MM	2
10	22549.03	Fast Turn Plastic Retainer , Black	8
11	9100104	Flatwasher, M8	1
12	9100105	Flatwasher, M10	7
13	9163005	Nyloc Nut, M10	2
14	9100204	Spring Washer, M8	1
15	9100205	Spring Washer, M10	3
16	9313035	Setscrew, M10 x 16	3
17	21612.01	Pop Rivet, 4.5 Dia, x 16 LG.	4
18	43449.02	Over Center Fastener	1
19	46007.01	Hook, Over Center Fastener	1
20	9300154	Screw, Button HD Skt , M10 x 25	2
21	9193004	Wing Nut, M8	1
22	21726.49	Self Adhesive Foam Strip, 95 LG..	1
23	21726.50	Self Adhesive Foam Strip, 982 LG.	1

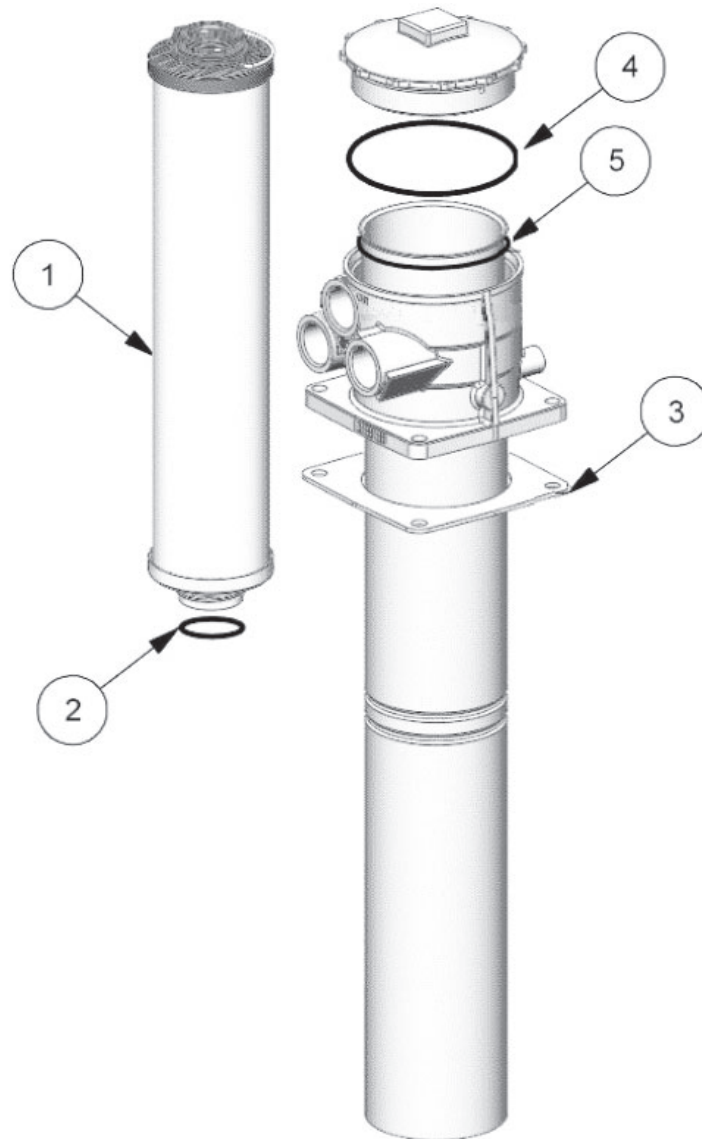
TANK, RH MODULE - RMB1880F & RMB2080F



TANK, RH MODULE - RMB1880F & RMB2080F

Item No.	Part No.	Description	Qty.
1	9300143	Capscrew, Button Head, M6 x 20	3
2	9100103	Flatwasher, M6	3
3	22964.04	RH Tank	1
4	50035829	Owners Manual Tube	1
5	8401048	Level Gauge	1
6	8401137	Breather Cap	1
7	9313097	Setscrew, M16 x 45	3
8	9343075	Capscrew, M10 x 35	4
9	8650310	Bonded Seal, M10	4
10	23371.04	Filter Assembly	1
11	8650108	Bonded Seal, 1" BSP	1
12	05.375.01	Adaptor, 1-1/4"MM	1
13	8581129	Adaptor, 1" BSP X 1/2" BSP MM	1
14	8401169	Suction Strainer, 1-1/4" Bore	1
15	8401170	Suction Strainer, 1-1/2" Bore	1
16	22857.12	LH Shield Plate	1
17	9313065	Setscrew, M10 x 30	3
18	9163007	Nyloc Nut, M16	3
19	9163005	Nyloc Nut, M10	3
20	9100105	Flatwasher, M10	3
21	8650109	Bonded Seal, 1.25" BSP	1
22	9163003	Nyloc Nut, M16	3

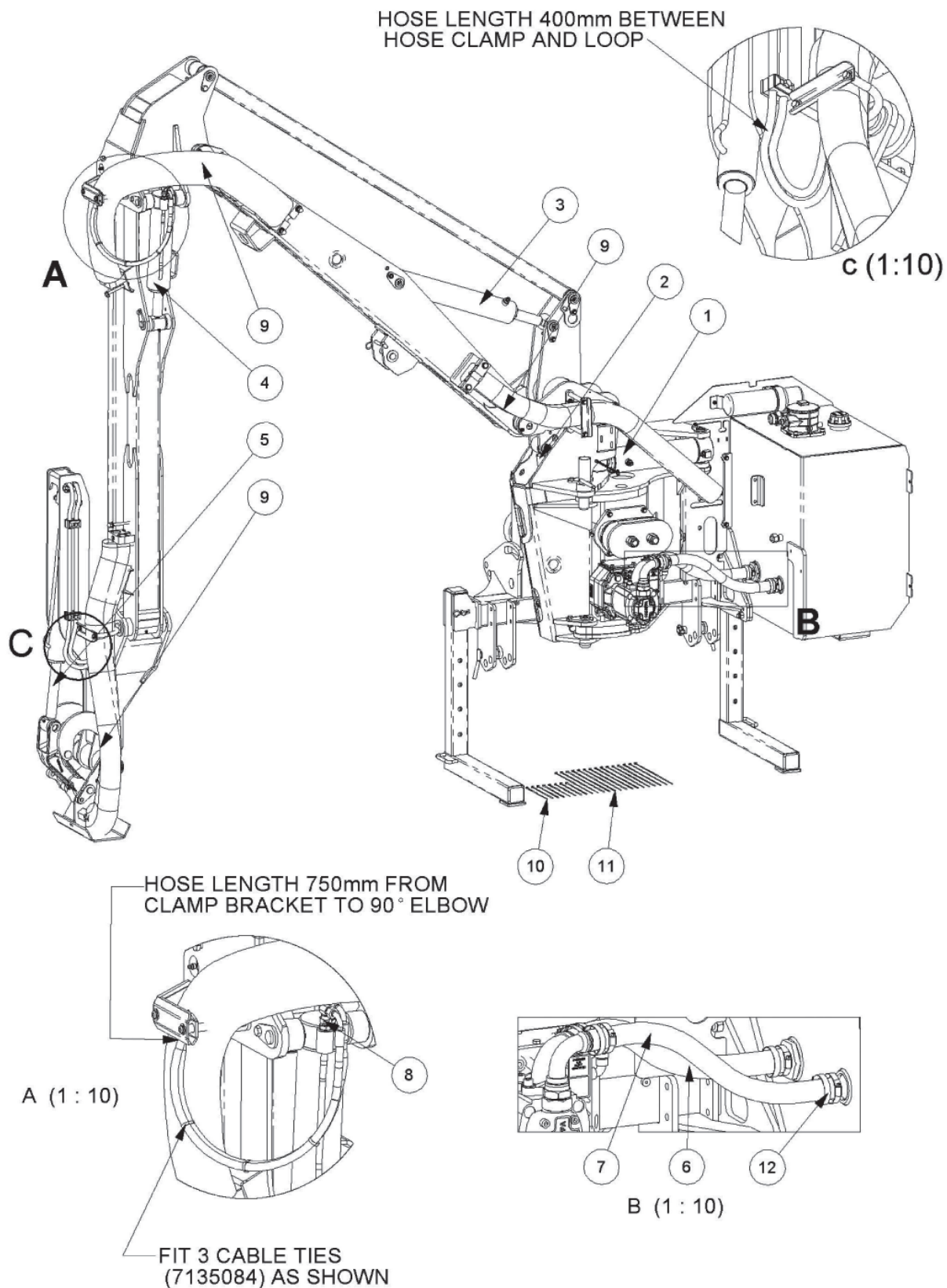
RETURN FILTER ASSEMBLY - RMB1880F & RMB2080F



RETURN FILTER ASSEMBLY - RMB1880F & RMB2080F

Item No.	Part No.	Description	Qty.
1	23371.02	Element	1
2	23371.32	O-Ring	1
3	23371.31	Seal	1
4	23371.33	O-Ring	1
5	23371.34	O-Ring	1

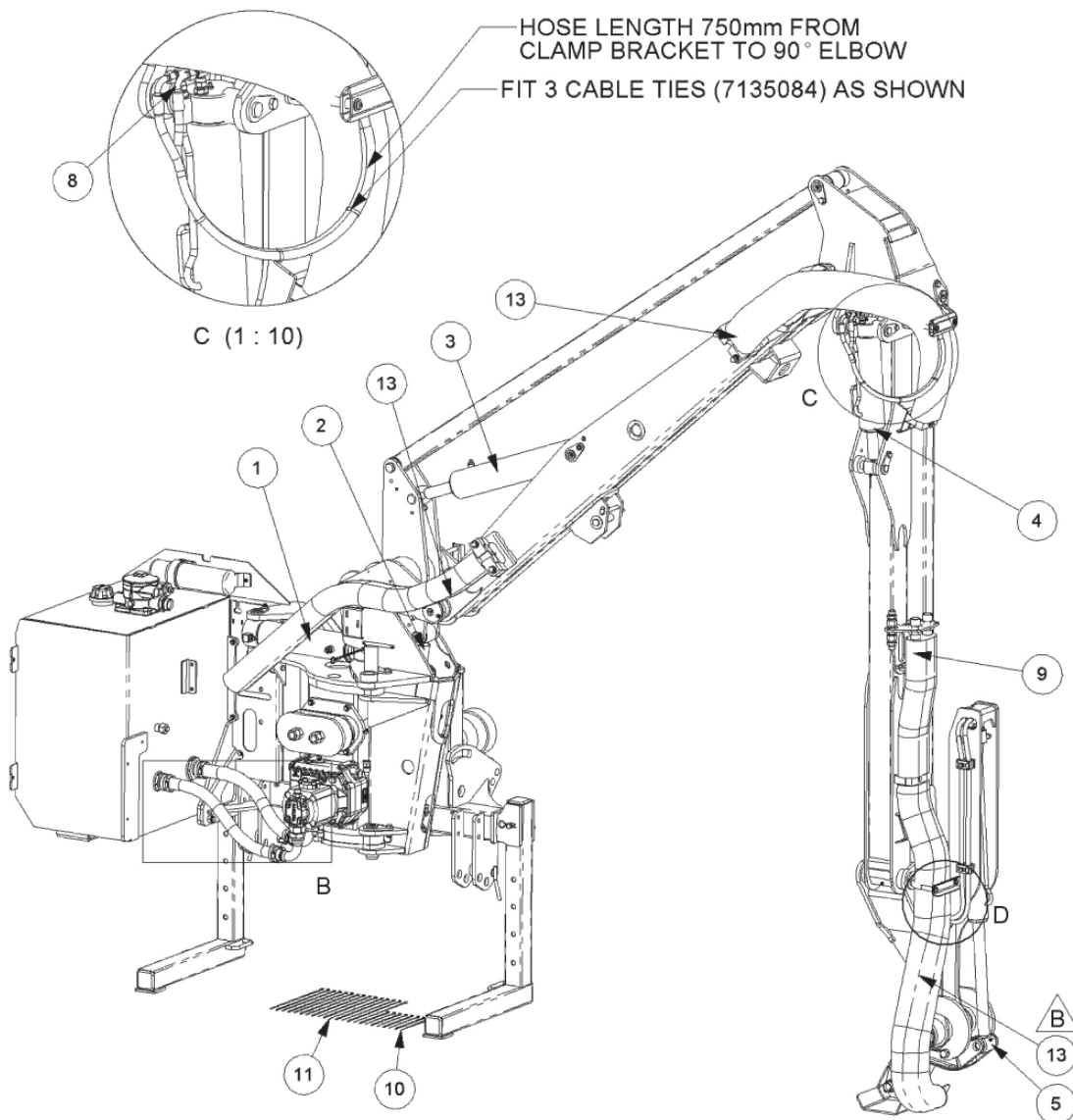
HYDRAULIC HOSES & FITTINGS - RMB1880F



HYDRAULIC HOSES & FITTINGS - RMB1880F

Item No.	Part No.	Description	Qty.
1	45910.07	Hydraulic Cylinder Assy. - Slew	1
2	22362.01	Hydraulic Cylinder Assy. - Lift	1
3	45288.03	Hydraulic Cylinder Assy. - Reach	1
4	22821.01	Hydraulic Cylinder Assy. - VFR	1
5	43317.07	Hydraulic Cylinder Assy. - Angle	1
6	8501489	Bore Suction Hose, 1-1/2" - 620 LG.	1
7	8501490	Bore Suction Hose, 1-1/4" - 615 LG.	1
8	8581190	Adap Elbow 90 1/4" BSP MF	2
9	22974.22	Hose Sleeving GTN180 - 1200MM LG	3
10	7135084	Cable Tie 180MM LG	8
11	7196045	Hose Tie - 350MM	15
12	0904107	Hose Clip 40-55MM	8

HYDRAULIC HOSES & FITTINGS - RMB2080F



HOSE LENGTH 750mm FROM CLAMP BRACKET TO 90° ELBOW

FIT 3 CABLE TIES (7135084) AS SHOWN

C (1 : 10)

B

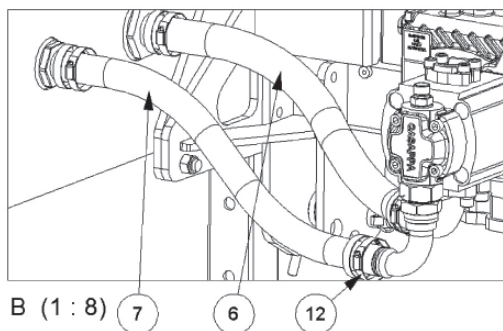
C

D

B

HOSE LENGTH 400mm BETWEEN HOSE CLAMP AND LOOP

D (1 : 5)

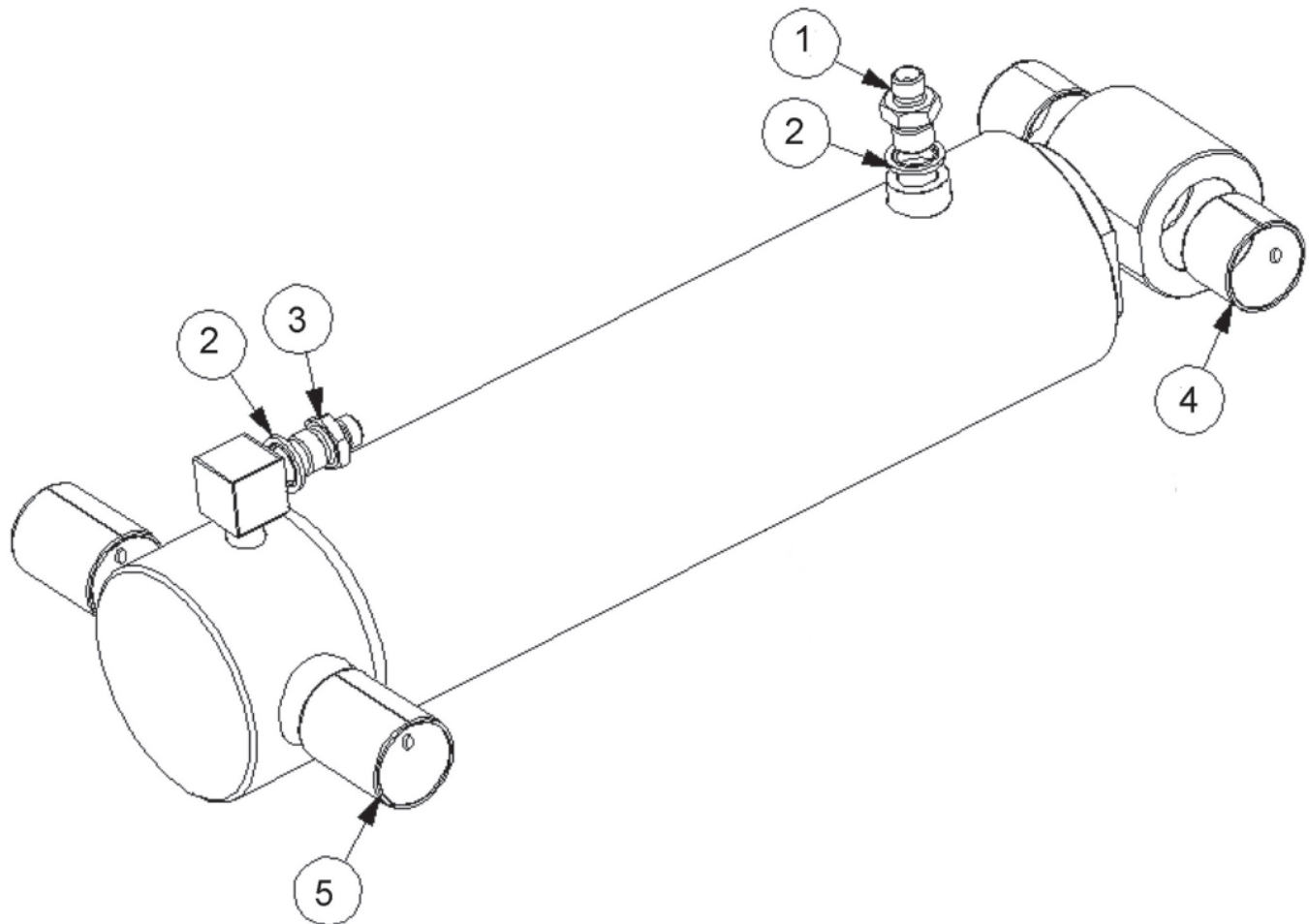


B (1 : 8)

HYDRAULIC HOSES & FITTINGS - RMB2080F

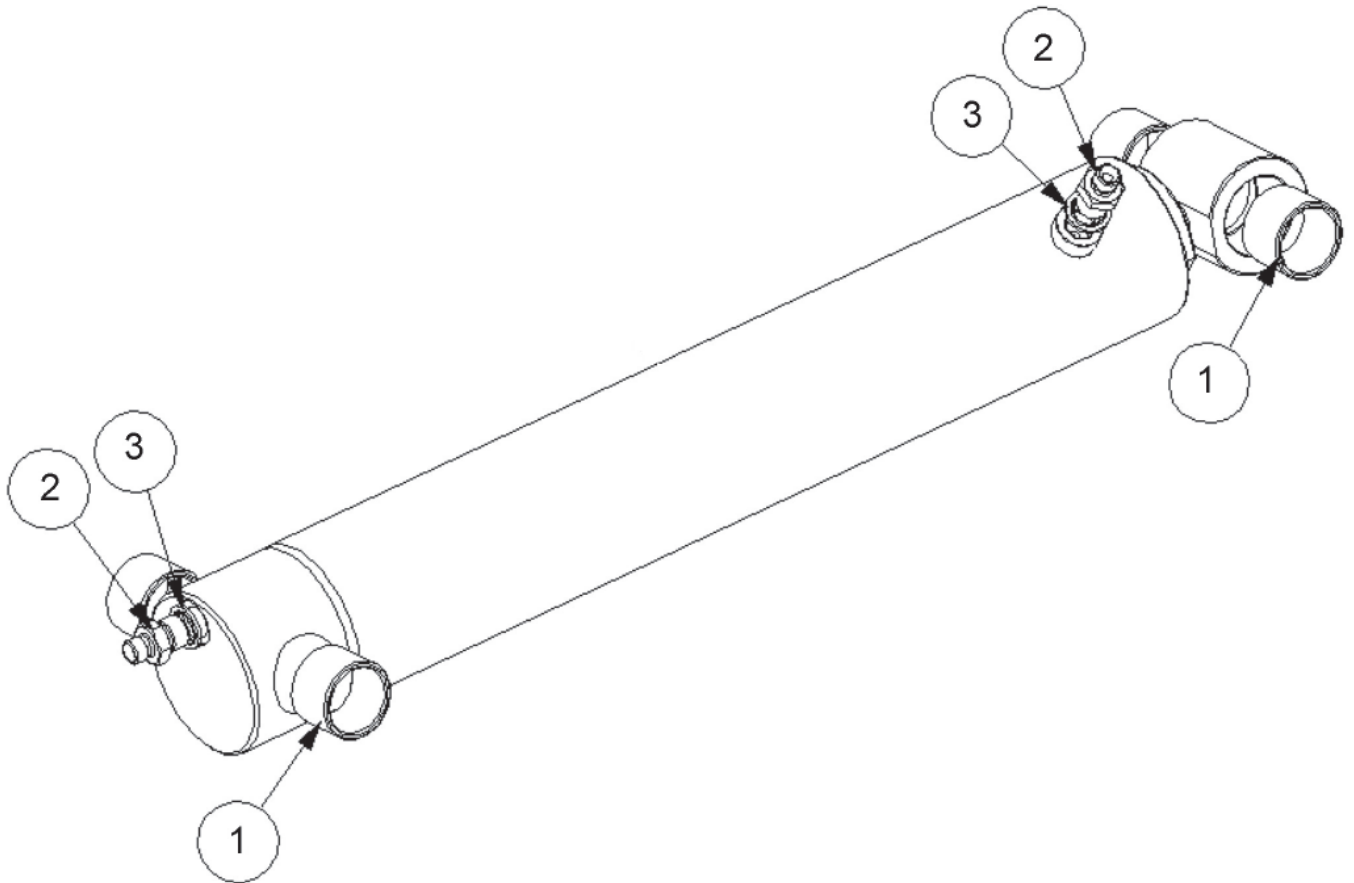
Item No.	Part No.	Description	Qty.
1	45910.07	Hydraulic Cylinder Assy. - Slew	1
2	22362.01	Hydraulic Cylinder Assy. - Lift	1
3	21340.01	Hydraulic Cylinder Assy. - Reach	1
4	22821.01	Hydraulic Cylinder Assy. - VFR	1
5	43317.07	Hydraulic Cylinder Assy. - Angle	1
6	8501489	Bore Suction Hose, 1-1/2" - 620 LG.	1
7	8501490	Bore Suction Hose, 1-1/4" - 615 LG.	1
8	8581190	Adap Elbow 90 1/4" BSP MF	2
9	22974.10	Hose Sleeving GTN180 - 1200MM LG	3
10	7135084	Cable Tie 180MM LG	8
11	7196045	Hose Tie - 350MM	15
12	0904107	Hose Clip 40-55MM	8
13	22974.22	Hose Sleeving GTN180 - 1200MM LG	3

HYDRAULIC CYLINDER, SLEW - RMB1880F & RMB2080F



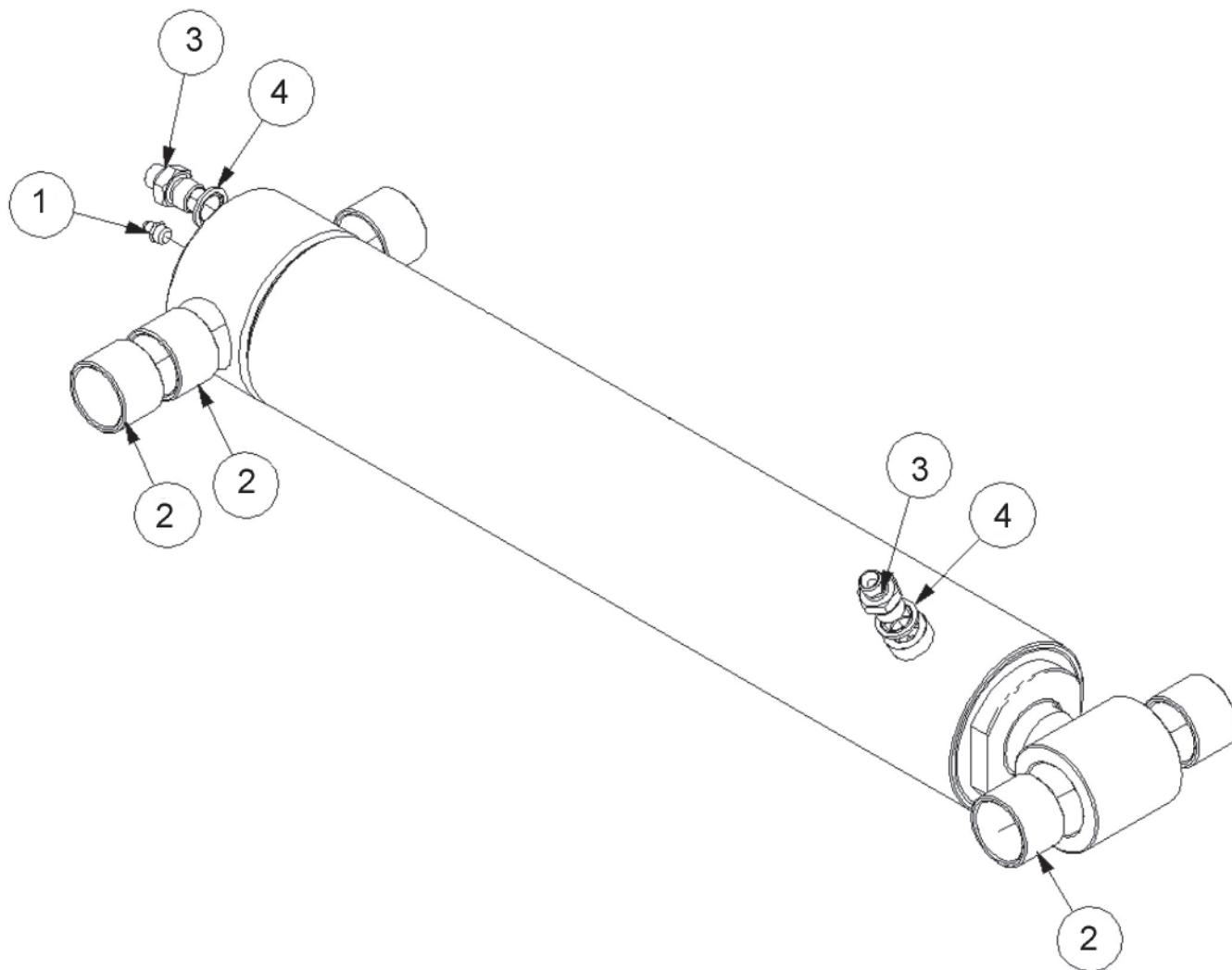
Item No.	Part No.	Description	Qty.
	45910.07	Slew Ram JIC Assy	1
1	8581115	Adaptor, 1/4" x 3/8" BSP	1
2	8650103	Seal, 3/8" BSP Bonded	2
3	8130066	Restrictor, 1/4-3/8" BSP	1
4	21649.08	Bush	2
5	21649.09	Bush	2
-	8699308	Seal Kit	1

HYDRAULIC CYLINDER, REACH - RMB1880F



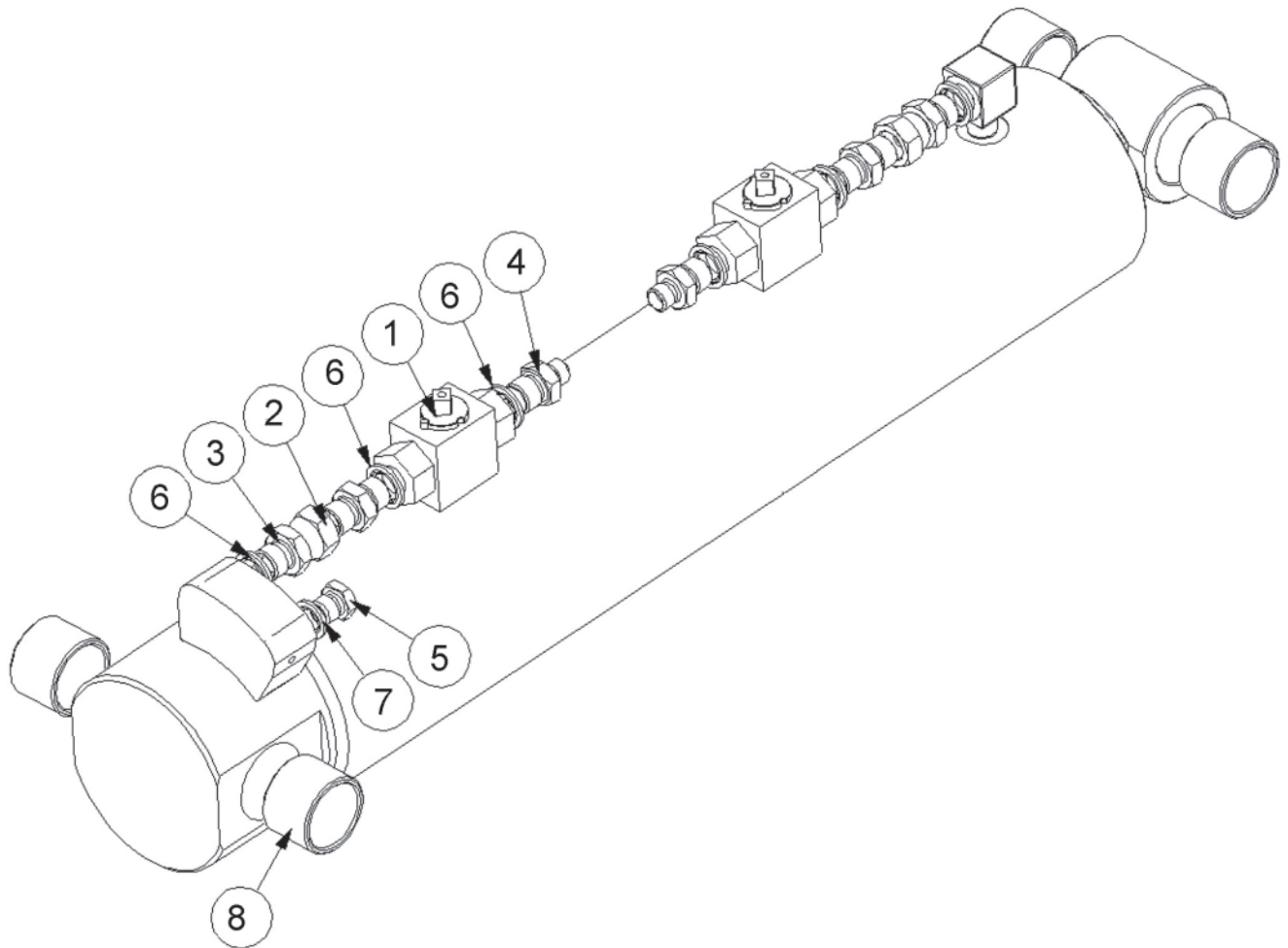
Item No.	Part No.	Description	Qty.
	45288.03	Reach Ram Assy	1
1	08.297.05	Bushing, Plastic 42" x 35" x 30"	4
2	8581115	Adaptor, 1/4" x 3/8" BSP	2
3	8650103	Seal, 3/8" BSP Bonded	2
-	43316.01	Seal Kit	1

HYDRAULIC CYLINDER, REACH - RMB2080F



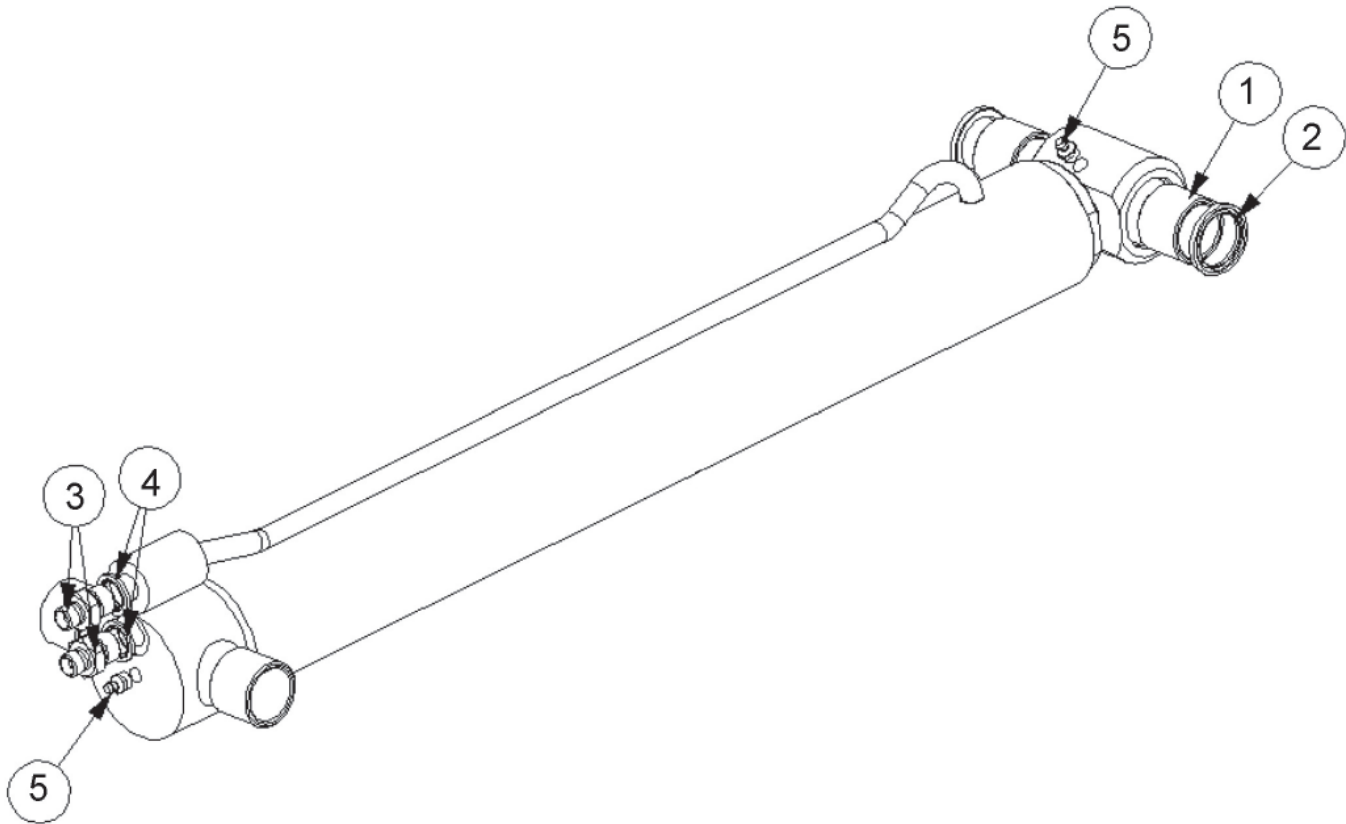
Item No.	Part No.	Description	Qty.
	21340.01	Reach Ram Assy	1
1	0901121	Greaser	1
2	08.297.05	Bush	5
3	8581115	Adaptor, 1/4" x 3/8" BSP	2
4	8650103	Seal, 3/8" BSP Bonded	2
-	43315.01	Seal Kit	1

HYDRAULIC CYLINDER, LIFT - RMB1880F & RMB2080F



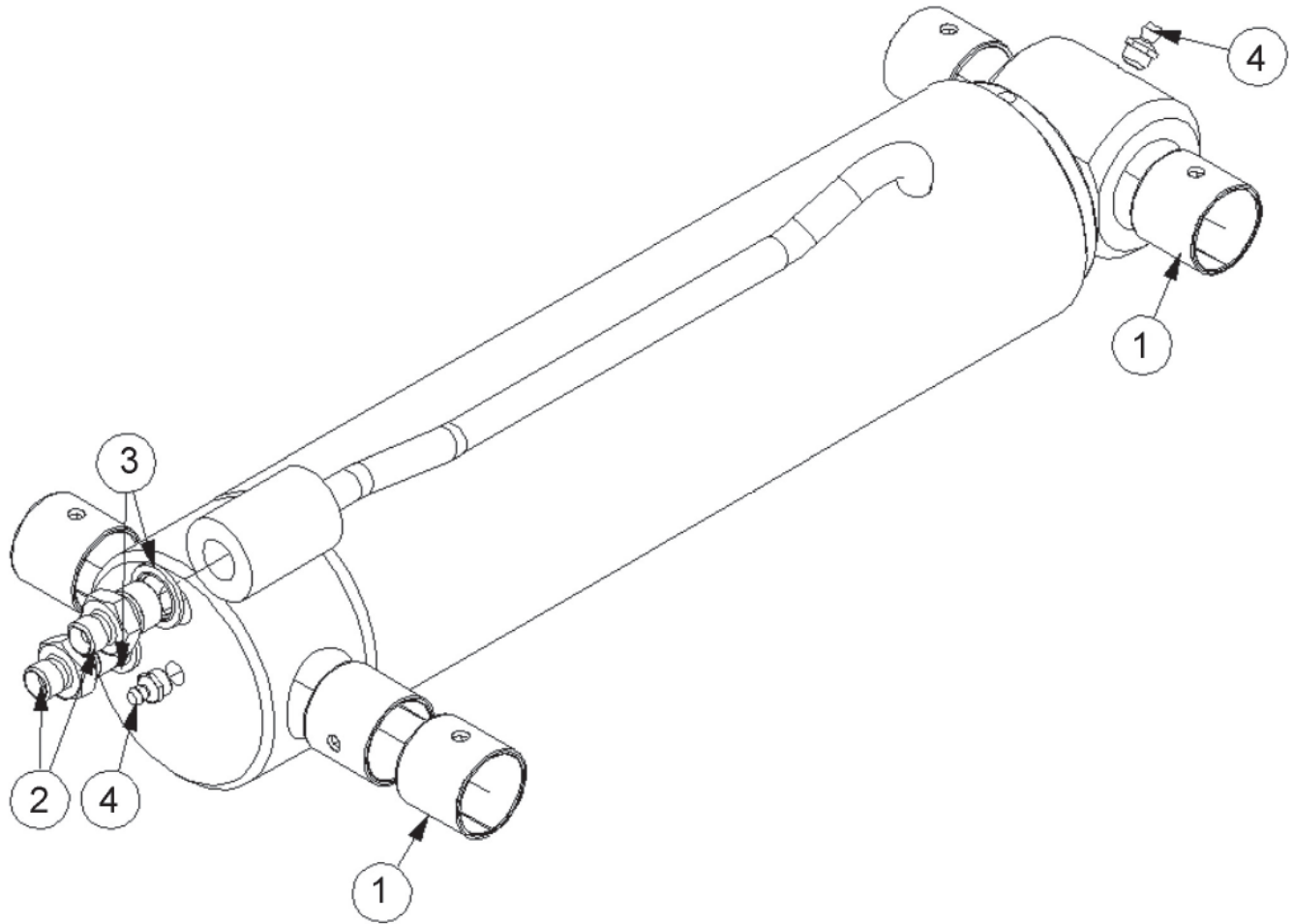
Item No.	Part No.	Description	Qty.
	22362.01	Lift Ram Assy	1
1	08.200.01	Valve, Ball	2
2	6000113	Adapter Double Male 3/8" BSP	2
3	8581178	Union, Swivel 3/8" BSP M-F	2
4	8581115	Adaptor, 1/4 x 3/8" BSP	2
5	520375	Adaptor Plug, 1/4" BSP	1
6	8650103	Seal, 3/8" BSP Bonded	6
7	8650102	Seal, 1/4" BSP Bonded	1
8	08.297.05	Bush, Plastic 42 x 35" x 30"	5
-	21094.02	Seal Kit	1

HYDRAULIC CYLINDER, ANGLE - RMB1880F & RMB2080F



Item No.	Part No.	Description	Qty.
	43317.07	Angle Ram Assy	1
1	22774.04	Bush, 37" x 30" x 30"	4
2	8629218	Seal, Lip 30" x 40" x 4"	2
3	8581115	Adaptor, 1/4 x 3/8 BSP	2
4	8650103	Seal, 3/8" BSP Bonded	2
5	0901121	Grease Nipple, 1/8" BSP Str.	1
-	43317.01	Seal Kit, Angle Ram	1

HYDRAULIC CYLINDER, VFR - RMB1880F & RMB2080F

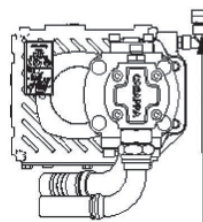


Item No.	Part No.	Description	Qty.
	22821.01	VFR Ram Assy	1
1	42654.01	Bush	5
2	8581115	Adaptor, 1/4 x 3/8 BSP	2
3	8650103	Seal, 3/8" BSP Bonded	2
4	0901121	Grease Nipple, 1/8" BSP Str.	1
-	8699187	Seal Kit,VFR Ram	1

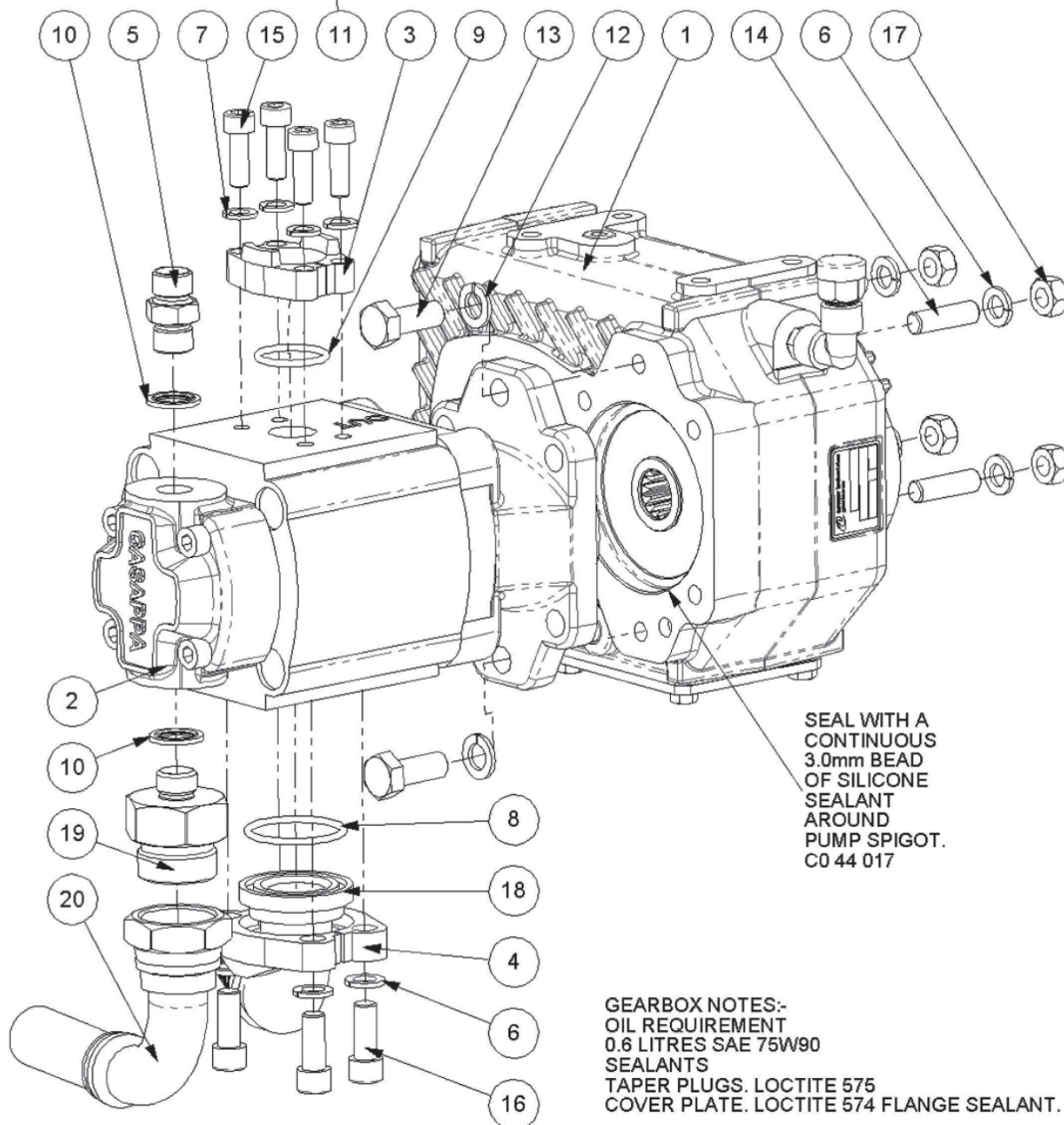
PUMP & GEARBOX ASSEMBLY, RH

RMB1880F & RMB2080F

FIT DECAL TO MAINFRAME



BREATHER POSITION WHEN FITTED TO RH MACHINE



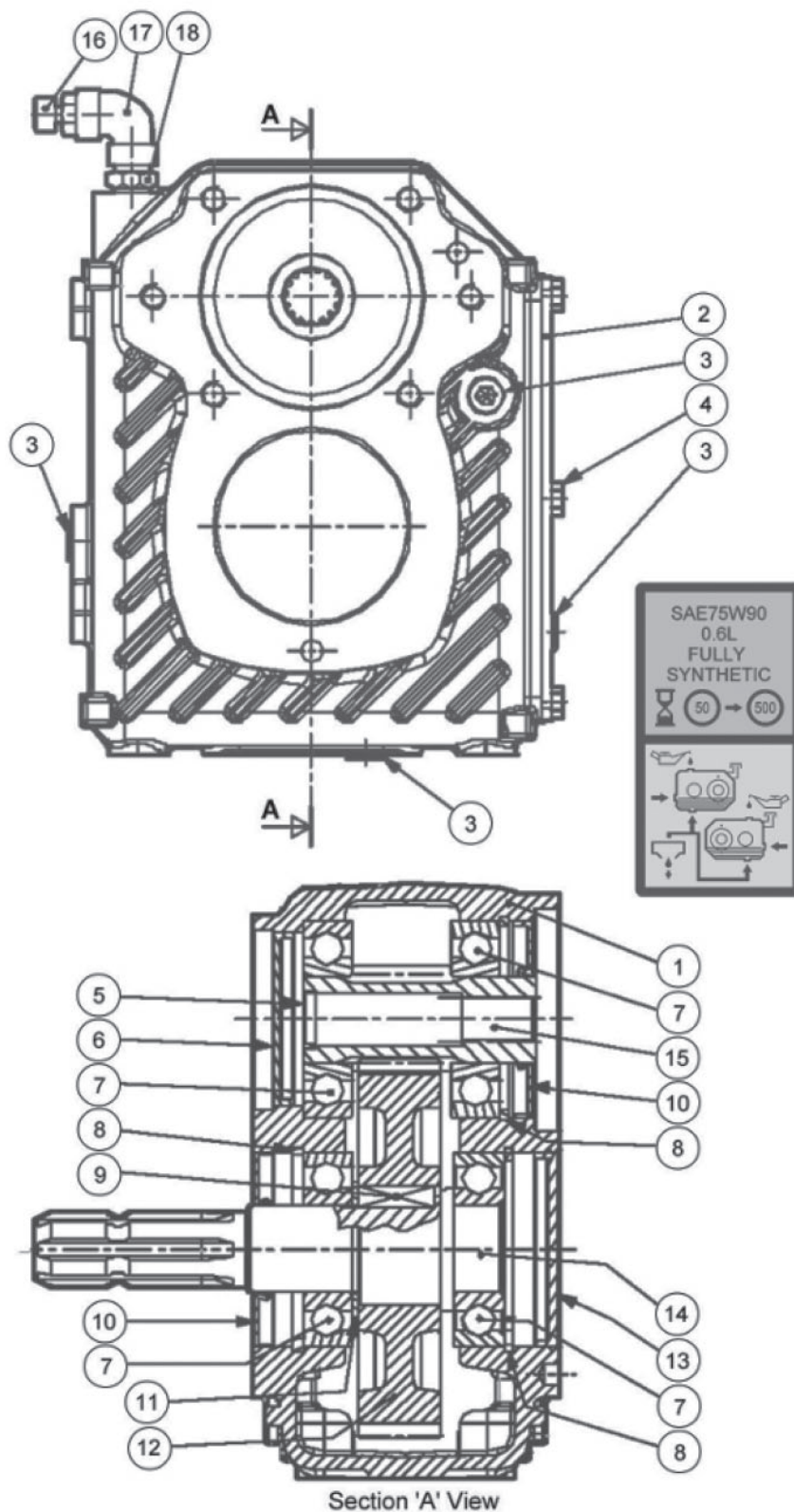
SEAL WITH A CONTINUOUS 3.0mm BEAD OF SILICONE SEALANT AROUND PUMP SPIGOT. C0 44 017

GEARBOX NOTES:-
 OIL REQUIREMENT
 0.6 LITRES SAE 75W90
 SEALANTS
 TAPER PLUGS. LOCTITE 575
 COVER PLATE. LOCTITE 574 FLANGE SEALANT.

PUMP & GEARBOX ASSEMBLY, RH RMB1880F & RMB2080F

Item No.	Part No.	Description	Qty.
1	22927.03	Gearbox, 1:4.23 13T, Comer	1
2	8201753	Tandem Pump, 56CC / 8CC	1
3	01.697.03	Split Flange 1"SAE	1
4	41.294.01	Split Flange Pair 1-1/2" SAE	1
5	8581110	Adaptor, 1/2"BSP MM	1
6	9100206	Spring Washer, M12	8
7	9100205	Spring Washer, M10	4
8	8600303	O-Ring, 225	1
9	8600124	O-Ring, 219	1
10	8650104	Bonded Seal 1/2" BSP	2
11	1291025	Gearbox Decal	1
12	05.282.08	Spring Washer, M14	2
13	05.839.01	Bolt, M14 x 35	2
14	04.282.17	Stud, M12 x 41	4
15	9343065	Capscrew, M10 x 30	4
16	9343066	Capscrew, M12 x 30	4
17	9113006	Nut, M12	4
18	8581489	Adaptor, 1/-1/2" SAE x 1-1/2" LP	1
19	8581546	Adaptor, 1-1/4" - 1/2" MM BSP	1
20	8581649	Adaptor, 1-1/4" BSP Swivel F x Hose 1 Tail 90 Swept	1

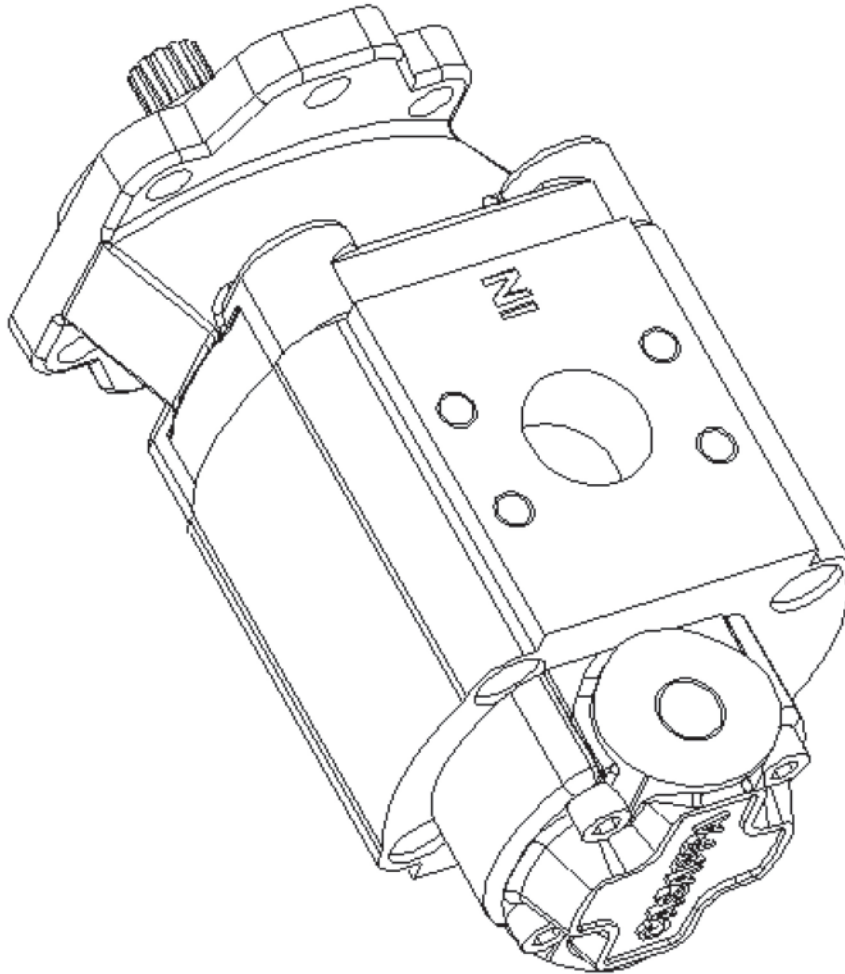
GEARBOX ASSEMBLY PARTS (COMER) RMB1880F & RMB2080F



GEARBOX ASSEMBLY PARTS (COMER) RMB1880F & RMB2080F

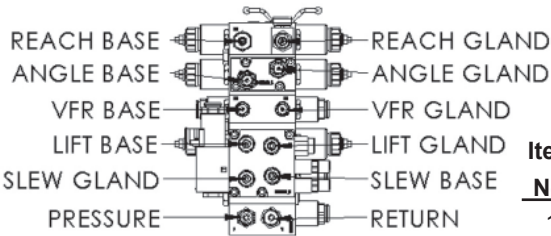
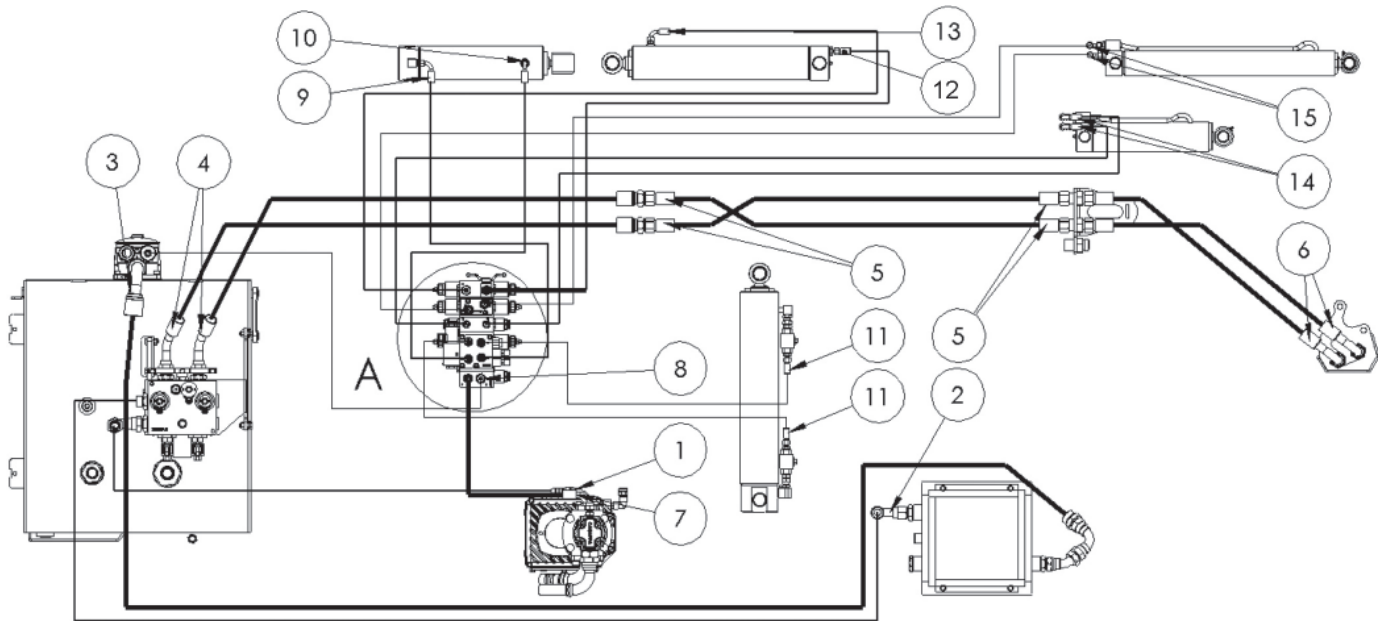
Item No.	Part No.	Description	Qty.
1	22927.51	Casing	1
2	22927.52	Cover	1
3	22927.33	Plug, 3/8"	5
4	22927.34	Bolt, M8 x 18, 8.8	6
5	22927.35	Cap, 26 x 4	1
6	22927.36	Cap, 80 x 10	1
7	22927.37	Ball Bearing, 6308	4
8	22927.38	Snap Ring, 90, UNI 743B	3
9	22927.39	Key, Parrallel B16 x 10 x 35	1
10	21459.55	Seal, Oil 40 x 90 x 8/7	2
11	22927.40	Shim, 61.7 x 2.5	1
12	22927.42	Gear	1
13	22927.43	Cap, 90 x 10	1
14	22927.44	Input Shaft	1
15	22927.46	Pinion	1
16	8013568	Plug, Filler	1
17	22927.50	Elbow, 90°	1
18	22927.48	Connector, 3/8" Male/Male	1

TANDEM PUMP ASSEMBLY RMB1880F & RMB2080F



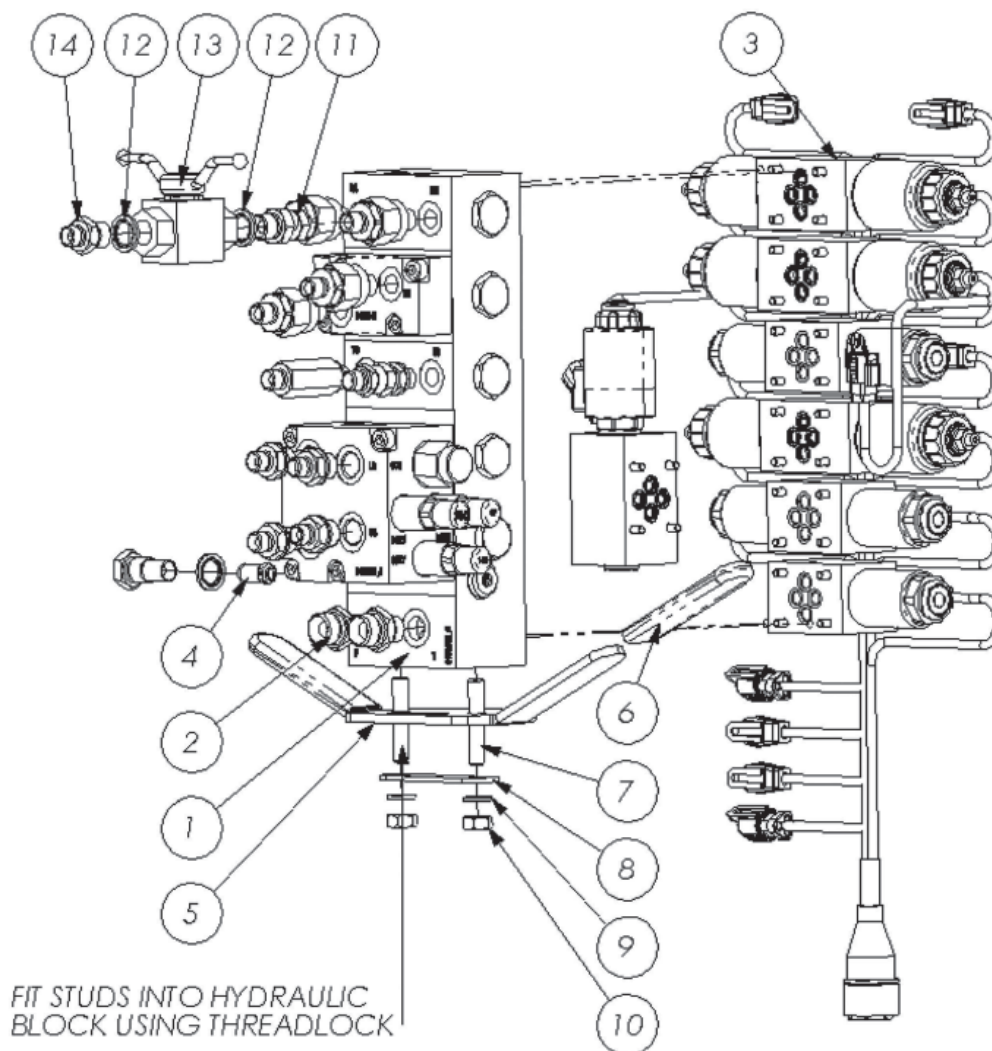
Part No.	Description	Qty.
8201753	Tandem Pump Assy	1
8201754	Pump, Rear	1
8201733	Pump, Front	1
8699257	Seal Kit	1

HOSE KIT - RMB1880F & RMB2080F



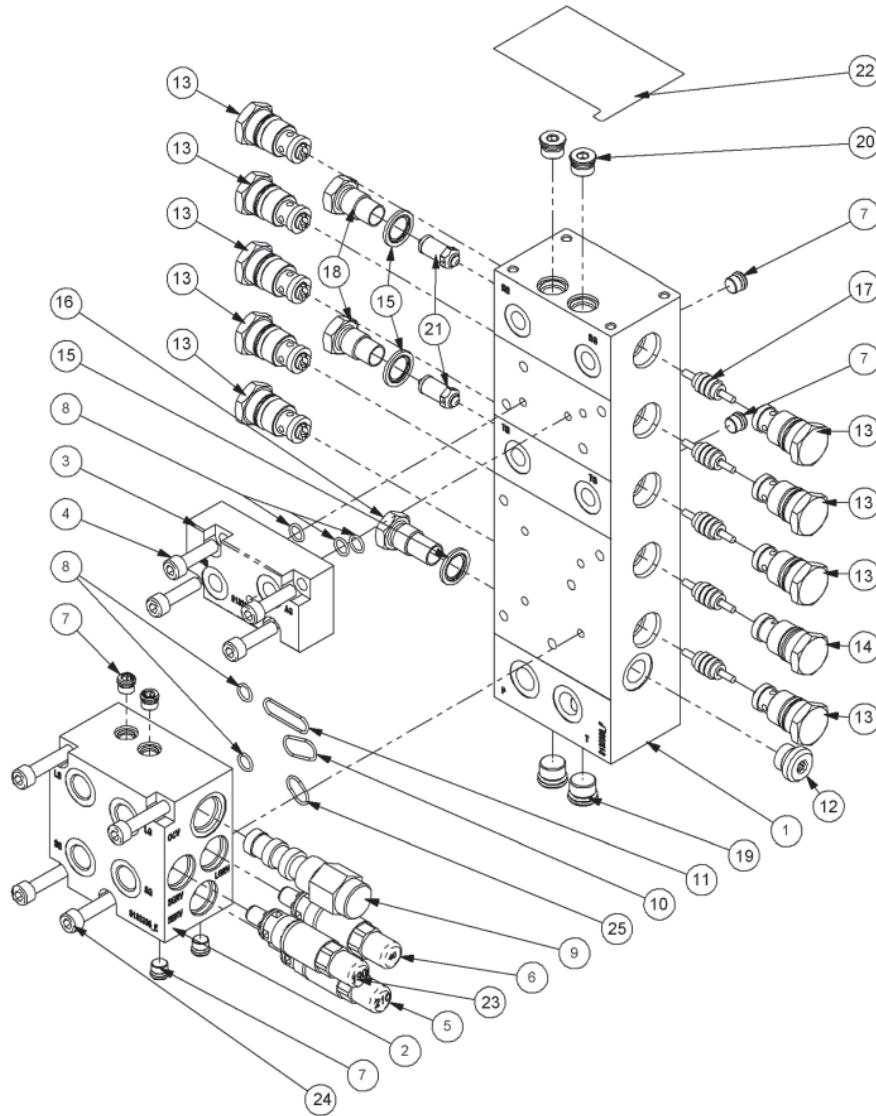
Item No.	Part No.	Description	Qty.
1	8501518	Hose, 1"SAE Flange 90 x 1" BSP FS 440 LG	1
2	10.012.08	Hose, 1"BSP FS/F 90 400MM LG	1
3	22949.21	Hose, 1-1/4" BSP FS/F90 LP 1100MM LG	1
4	23542.29	Hose, 1"MBSP/F135 1900MM LG	2
5	10.011.35	Hose, 1"BSP FS/FS 2500MM LG (RMB1880F)	2
	10.011.40	Hose, 1"BSP FS/FS 3000MM LG (RMB2080F)	2
6	8501424	3K Hose, 1"BSP FS/F90 LP 1750 MM LG	2
7	10.006.16	Hose, 1/2" BSP FS/F90 800	1
8	10.005.14	Hose, 1/2" BSP FS/FS 700MM LG	1
9	10.002.12	Hose, 1/4" BSP FS/F90 600MM LG	1
10	10.002.16	Hose, 1/4" BSP FS/F90 800MM LG	1
11	10.001.23	Hose, 1/4" BSP FS/FS 1300MM LG	2
12	10.001.37	Hose, 1/4" BSP FS/FS 2700MM LG	1
13	10.002.43	Hose, 1/4" BSP FS/F90 BSP FS/F90 3300MM LG	1
14	10.002.58	Hose, 1/4" BSP FS/F90 4800MM LG (RMB1880F)	2
	10.002.61	Hose, 1/4" BSP FS/F90 5100MM LG (RMB2080F)	2
15	10.002.75	Hose, 1/4" BSP FS/F90 6500MM LG (RMB1880F)	2
	10.002.80	Hose, 1/4" BSP FS/F90 7000MM LG (RMB2080F)	2

5 BANK LH/RH PROP (MOTION/EVO) ACV ASSEMBLY RMB1880F & RMB2080F



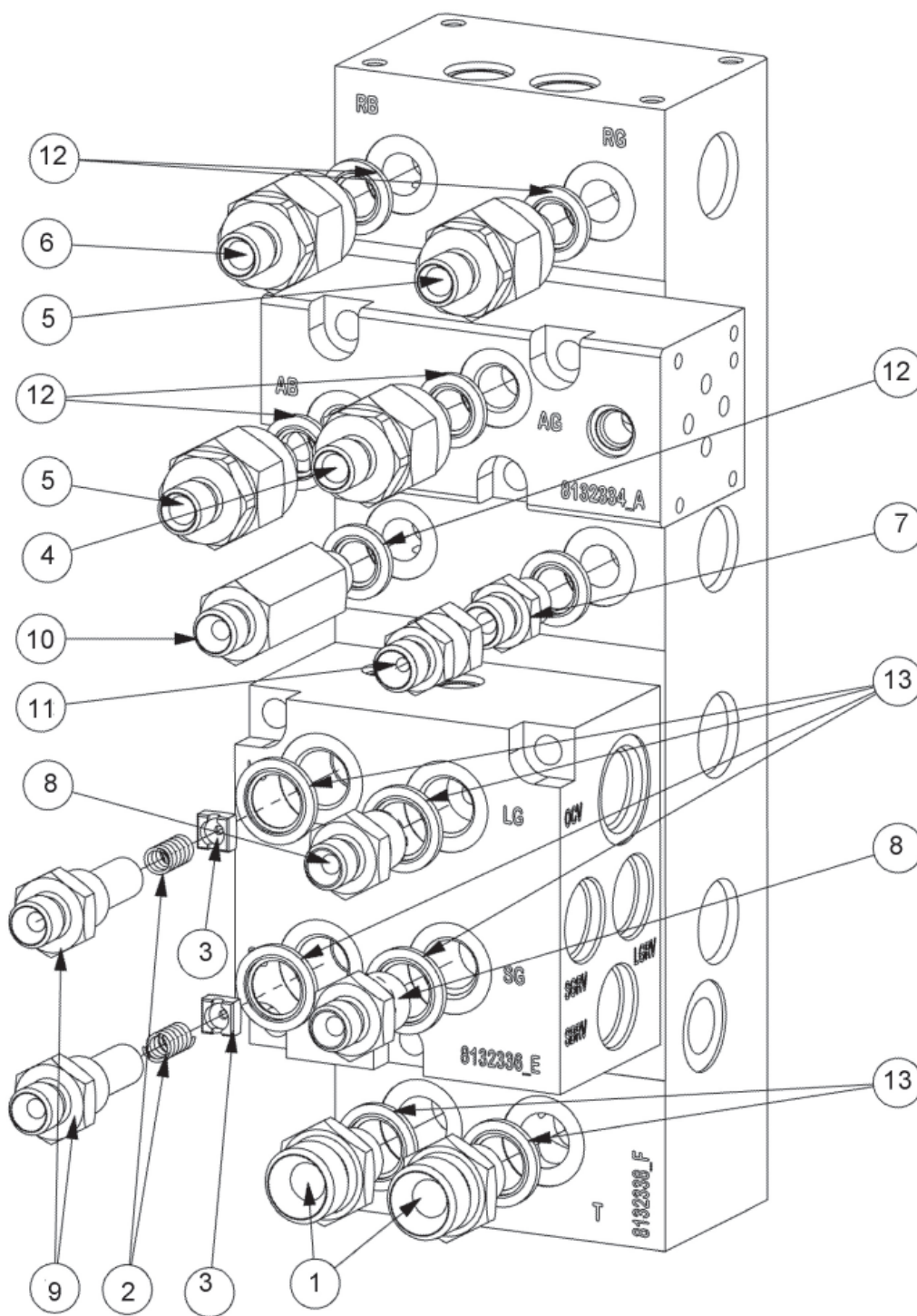
Item No.	Part No.	Description	Qty.
1	22523.37	Manifold Assembly, 5 Bank	1
2	22524.79	Adaptor Kit, Prop Midcut/VFR	1
3	22526.04	Control Solenoid Assembly, 5 Bank	1
4	8130030	Relief Valve 210 Bar	1
5	23353.01	ACV Mtg. Plate	1
6	23354.01	Flat Handle Grip	2
7	42198.07	Stud, M10 x 55	2
8	23355.01	Special Clamp Washer	1
9	9100205	Spring Washer, M10	2
10	9113005	Nut, Plain, M10	2
11	8581259	Adaptor, 1/4" x 3/8" BSP FM Swivel	1
12	8650103	Bonded Seal 3/8" BSP	2
13	08.200.01	Valve, Isolating 3/8" BSP F-F	1
14	8581115	Adaptor, 3/8" x 1/4" BSp MM	1

MANIFOLD ASSEMBLY - 5 BANK RMB1880F & RMB2080F



Item No.	Part No.	Description	Qty.	Item No.	Part No.	Description	Qty.
1	8132338	Manifold Block	1	13	8130090	Check Valve Assembly	9
2	8132336	Auto Reset Block C/W Slew Gland RV Port	1	14	8130354	Check Valve Assembly	1
3	8132340	Hose Plate M8	1	15	8650103	Bonded Seal, 3/8" BSP	3
4	9343064	Capscrew, M8 x 30	4	16	8130032	Relief Valve Cap 40MM	1
5	8130145	Relief Valve, 210 Bar	1	17	8130087	Actuator	5
6	8130150	Relief Valve, 040 Bar	1	18	8130710	Relief Valve Cap 35MM	2
7	23242.03	Plug, Zero Leak, M10 x 1	6	19	23242.06	Plug, M16 x 1.5, Zero Leak	2
8	8700511	O-Ring, 9MM ID x 12.2MM	5	20	23242.05	Plug, M10 x 1 Zero Leak	2
9	8130204	Cartridge Spool Valve	1	21	8160092	Relief Valve, 190 Bar	2
10	8700522	O-Ring, 522	1	22	-----	Decal, 101 x 63 Tear Off	1
11	8700525	O-Ring, 525	1	23	G3812542	Relief Valve, 190 Bar	1
12	8581436	Plug, 3/8" BSP Soft Seal	1	24	9243124	Capscrew, M8 x 60	4
				25	8700516	O-Ring, Metric	1

ADAPTOR KIT - PROP MIDCUT / VFR RMB1880F & RMB2080F



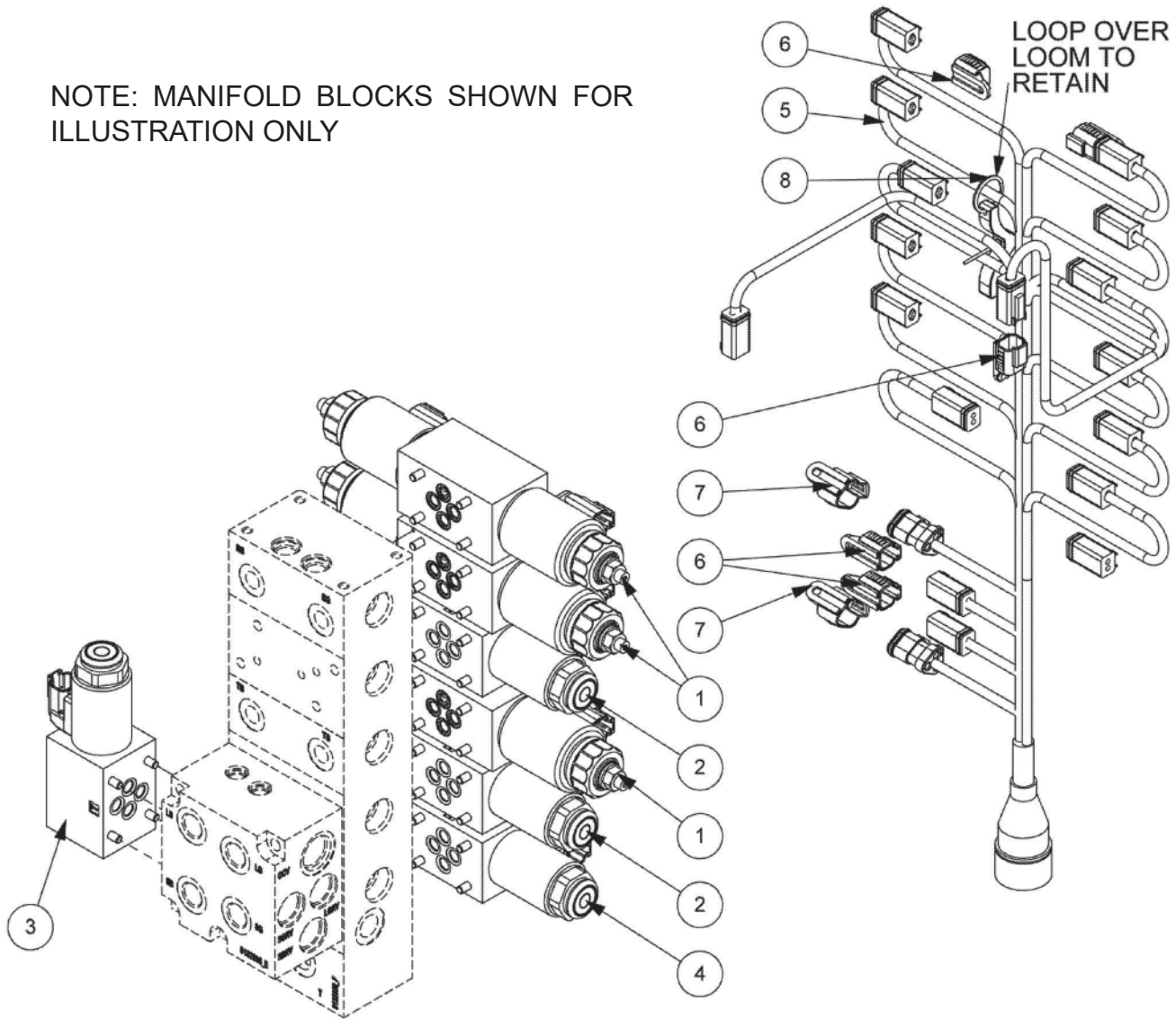
NOTE: HYDRAULIC BLOCKS SHOWN FOR DISPLAY ONLY

ADAPTOR KIT - PROP MIDCUT / VFR RMB1880F & RMB2080F

Item No.	Part No.	Description	Qty.
1	6000112	Adaptor 3/8" x 1/2" BSP MM	2
2	8116011	Spring, OD .275 x 5/8" LG.	2
3	8123049	Restrictor Disc 2.5 Red/Yellow	2
4	8123088	Restrictor Union 1/4" Bspm - 1/4" BSPM - 1.4	1
5	8123090	Restrictor Union, 1/4" BSPM - 1/4" BSPM - 1.6	2
6	8123091	Restrictor Union 1/4" BSPM - 1/4" BSPM - 1.8	1
7	8130038	Adaptor Restrictor, 1.4 'L'	1
8	8581115	Adaptor 3/8" x 1/4" BSP MM	2
9	8581210	Special Adaptor, 1/4" BSP x 3/8"	2
10	8581279	Extension Adaptor, 1/4" BSP MM	1
11	8581309	Adaptor, 1/4" BSP MF Swivel STR.	1
12	8650102	Bonded Seal, 1/4" BSP	6
13	8650103	Bonded Seal, 3/8" BSP	6

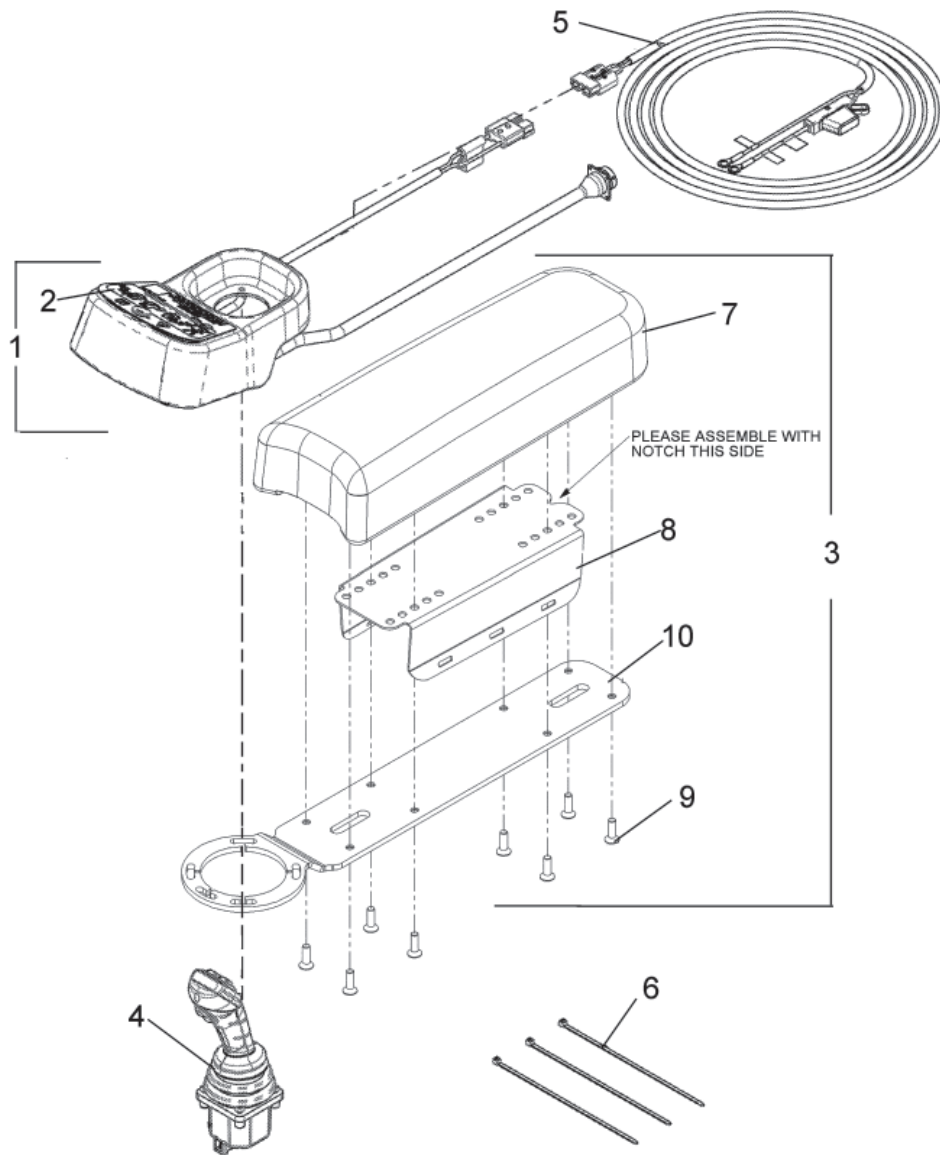
CONTROL SOLENOID ASSEMBLY - 5 BANK RMB1880F & RMB2080F

NOTE: MANIFOLD BLOCKS SHOWN FOR ILLUSTRATION ONLY



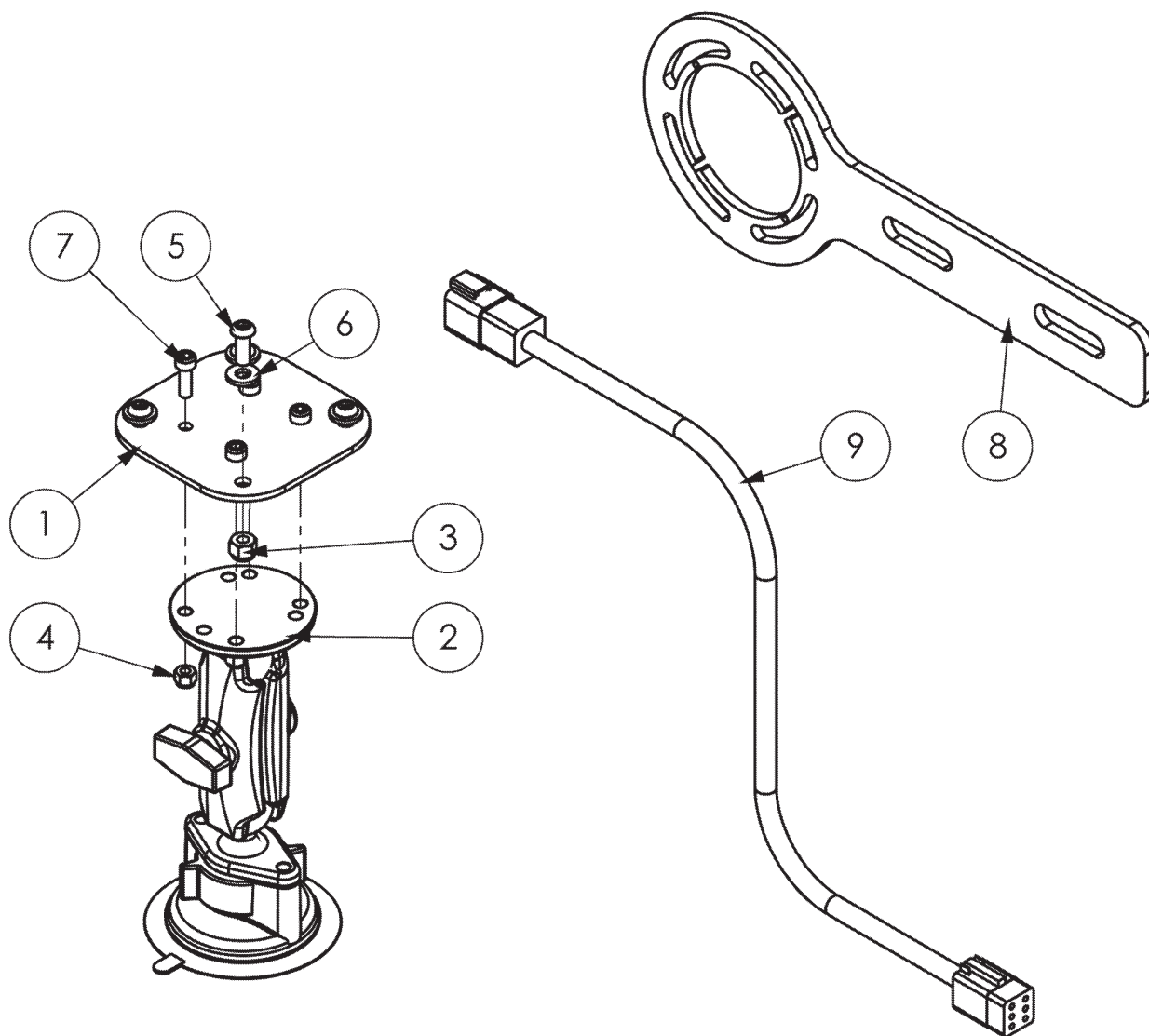
Item No.	Part No.	Description	Qty.
1	23550.11	Prop Directional 4-3 Valve Cetop 3 APC DT	3
2	23550.14	Prop Directional 4-3 Valve Cetop 3 YS DT	2
3	23550.12	Prop Directional 4-2 Valve Cetop 3 APC DT	1
4	23550.13	Prop Directional 4-2 Valve Cetop 3 HS DT	1
5	41844.32	Loom 26 Core 28 Way Connector DT	1
6	45594.41	Sealing Cap, DT06-2S	5
7	45594.42	Sealing Cap, DT06-3S	2
8	23550.18	Manual Override Tool	1

EVOLUTION CONTROLS RMB1880F & RMB2080F



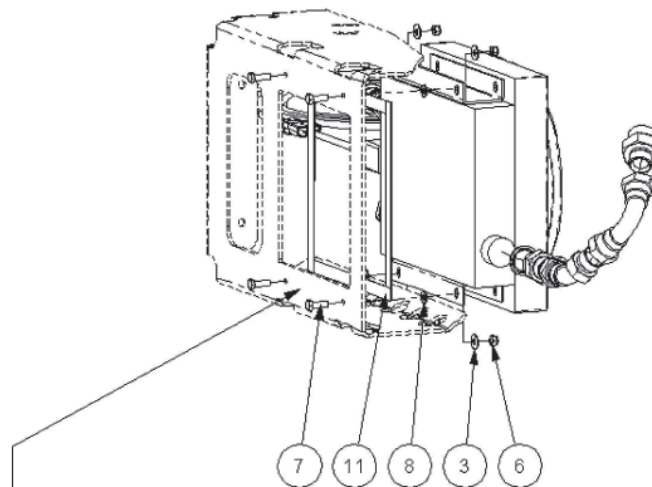
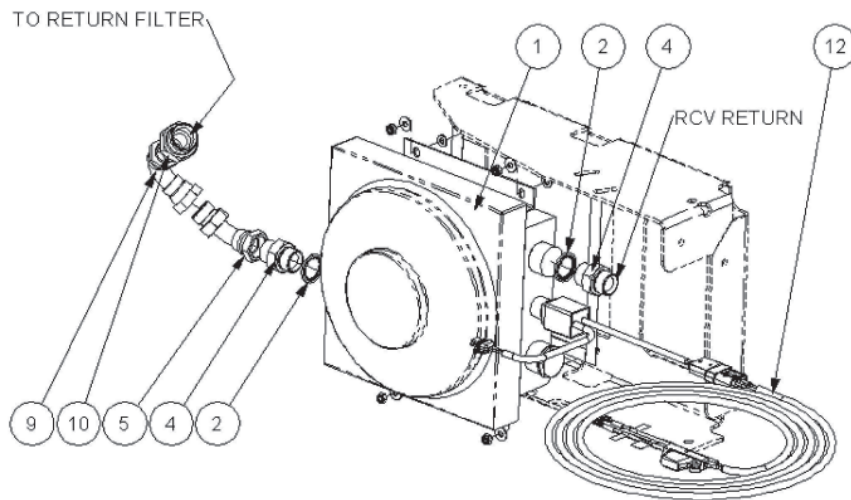
Item No.	Part No.	Description	Qty.
	23581.01	Evolution Controls	1
1	23581.12	Evolution Controls Pod w/Decal	1
2	1291051	Operation Decal, Evolution	1
3	23581.21	Next Gen Arm Rest I.M. Controls	1
4	22991.30	Joystick - Revolution	1
5	8402237	Loom Power Supply	1
6	22342.02	Cable Tie, 4.8 Wide x 250 LG	3
7	23581.42	Arm Rest Pad	1
8	23581.43	Arm Rest Pressing	1
9	9353043	Capscrew, M6 x 20 SKT. CSK	8
10	23581.48	Lolly Pop Stick	1

EVOLUTION REMOTE MOUNTING KIT RMB1880F & RMB2080F



Item No.	Part No.	Description	Qty.
	22073.23	Evolution Remote Mounting Kit	1
1	23831.01	Evolution Ram Mount Plate	1
2	22073.09	V4 Screen Mount Kit	1
3	9163003	Nyloc Nut M6	4
4	05.287.09	Nyloc Nut M5	4
5	9300125	Button Head Capscrew M6 x 16	4
6	9100103	Flatwasher M6	4
7	9343032	Capscrew M5 x 16	4
8	22073.81	Joystick Mount Plate V4 & Rev	1
9	45656.15	Extension Loom V4 Joystick	1

COOLER ASSEMBLY, RH RMB1880F & RMB2080F

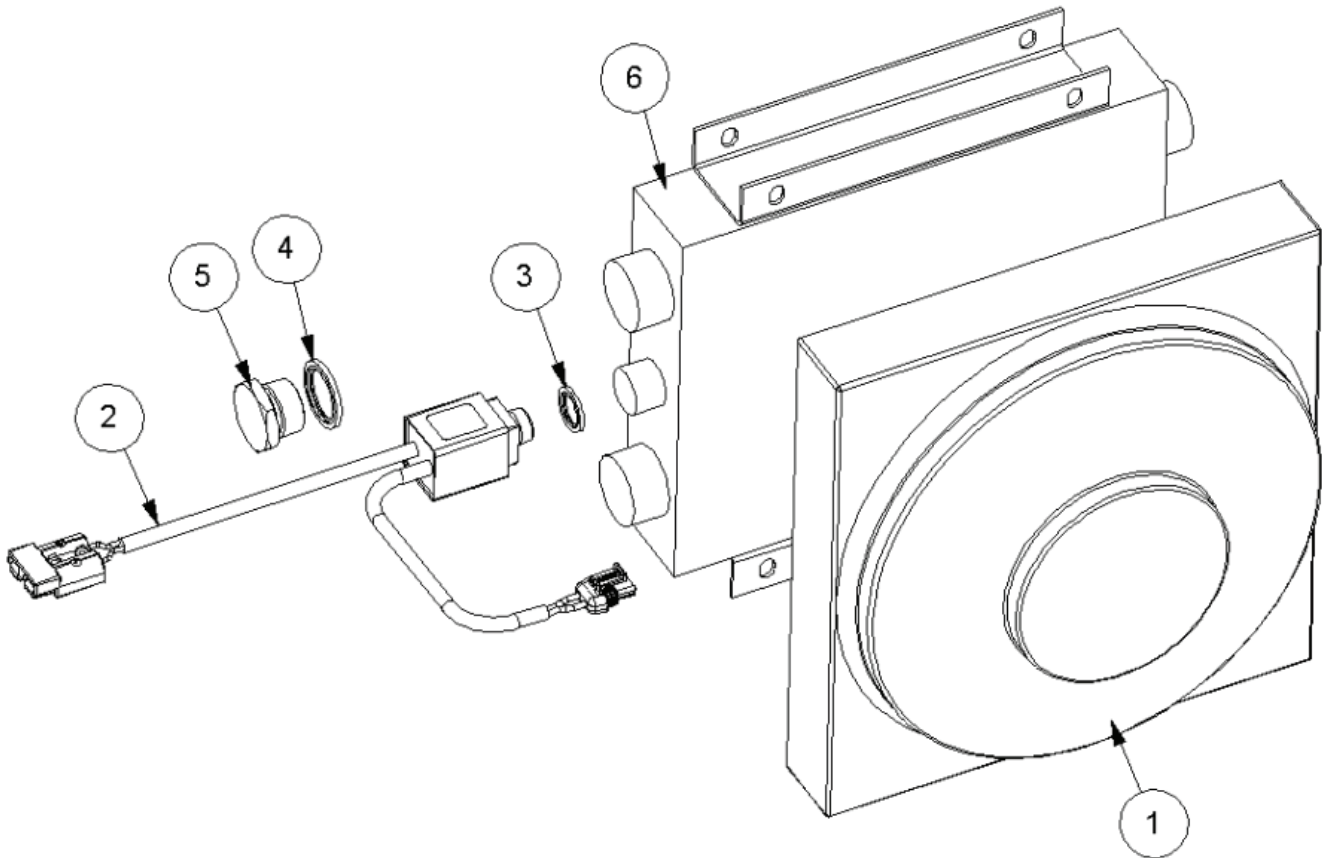


NOTE: MOUNTING BRACKET
SHOWN FOR ILLUSTRATION
ONLY

Item No.	Part No.	Description	Qty.
1	8402406	FCH Oil HP Cooler C/W Thermo Switch & Loom	1
2	8650108	Bonded Seal, 1" BSP	2
3	9100104	Flatwasher	4
4	05.434.01	Adaptor, 1" BSP MM	2
5	08.940.02	Adaptor, 135 Deg. 1" BSP MF	1
6	9163004	Nyloc Nut, M8	4
7	9313054	Setscrew, M8 x 25	4
8	22842.08	Metric Rubber Washer Series	4
9	8581255	Swept Elbow, 1" BSP F - F 90 Deg.	1
10	T5241	Adaptor, 1-1/4" x 1" BSPP MM	1
11	21726.43	Foam Strip, 269 LG	4
12	8402237	Power Supply Harness	1

COOLER

RMB1880F & RMB2080F

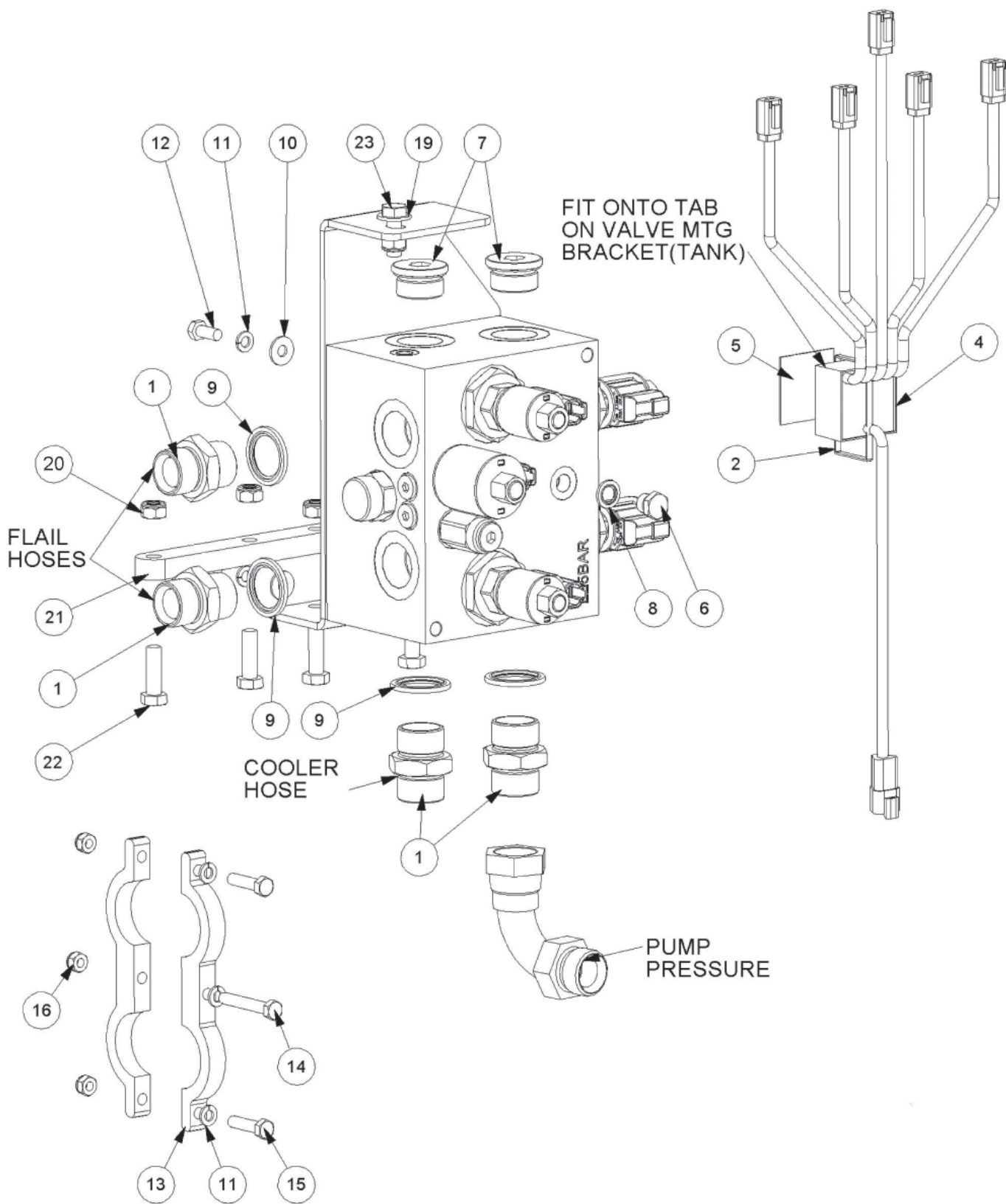


COOLER

RMB1880F & RMB2080F

Item No.	Part No.	Description	Qty.
1	8402386	Motor C/W Fan	1
2	43180.02	Loom	1
3	8650104	Seal, 1/2 BSP Bonded	1
4	8650108	Seal, 1 BSP Bonded	1
5	8581159	Plug	1
6	8402407	Cooler	1

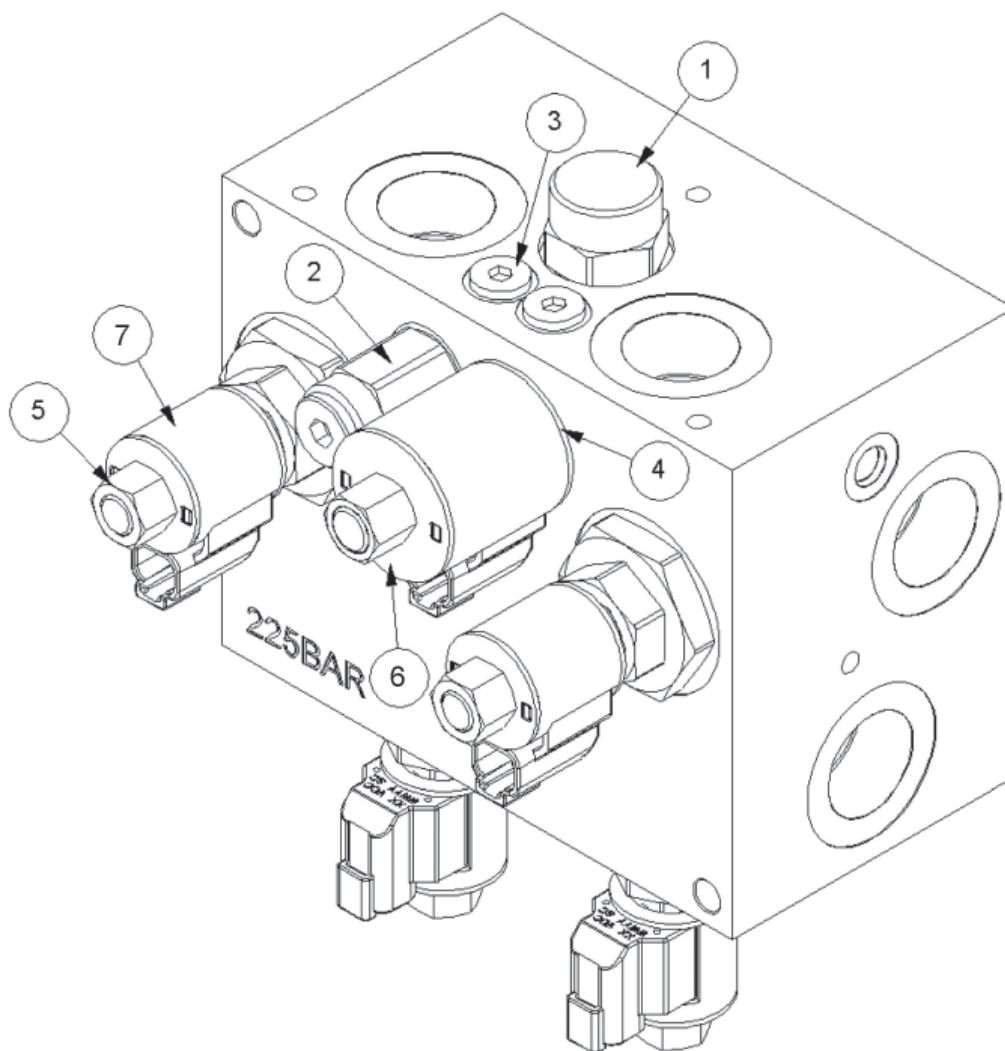
DUAL DIRECTION SOFT START RCV ASSEMBLY, RH RMB1880F & RMB2080F



DUAL DIRECTION SOFT START RCV ASSEMBLY, RH RMB1880F & RMB2080F

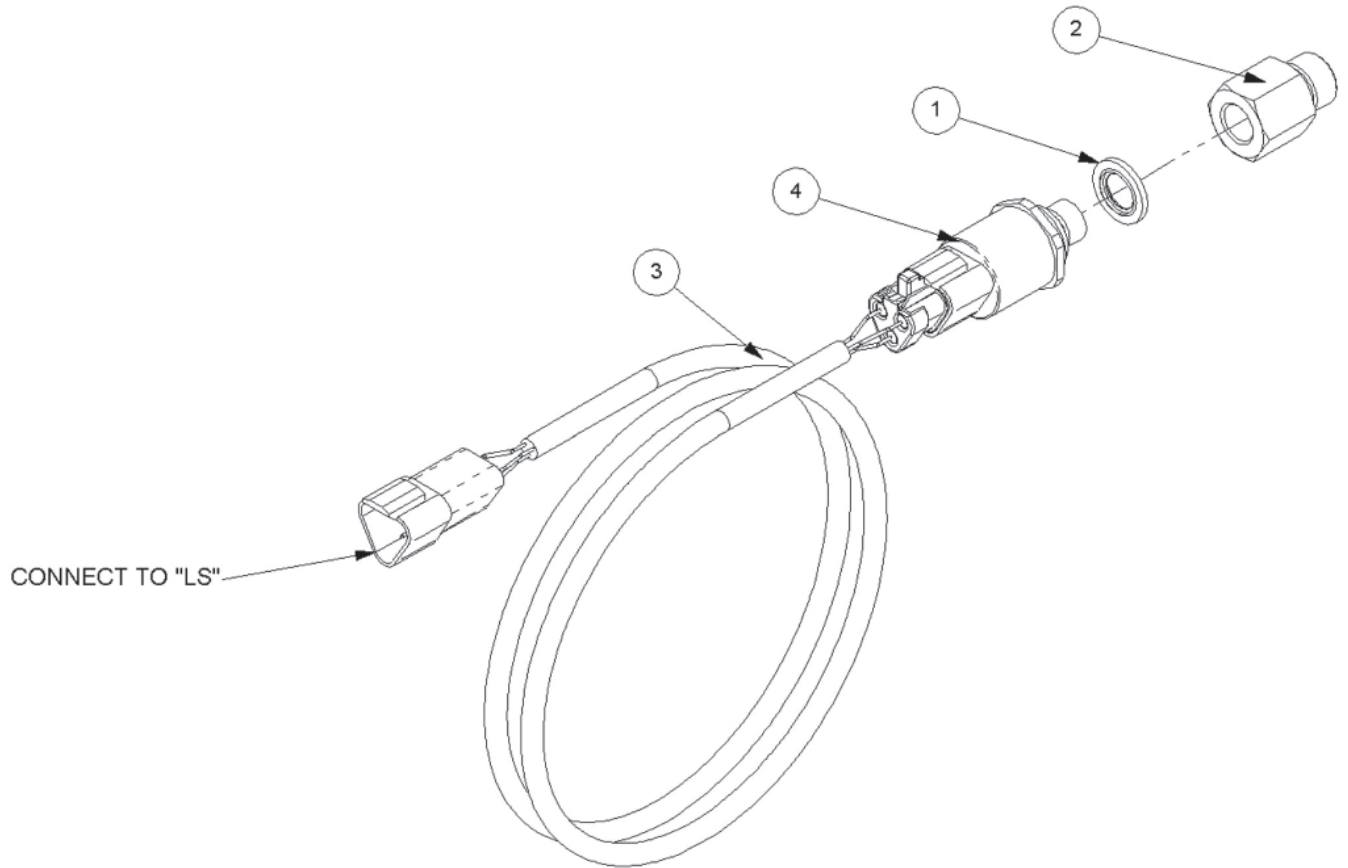
Item No.	Part No.	Description	Qty.
1	05.434.01	1" BSP MM Adaptor	4
2	22342.02	Cable Tie, 4.8W x 250 LG	1
3	22677.13	Cast Iron RCV Assembly Prop Unloader 225 Bar DT	1
4	41844.36	Proportional RCV Loom DT	1
5	45831.02	Self Adhesive Pad - 50 x 50	1
6	520378	Adaptor Plug, 1/4" BSP	1
7	8581389	Plug	2
8	8650102	Bonded Seal, 1/4 BSP	1
9	8650108	Bonded Seal, 1" BSP	4
10	9100104	Flatwasher, M8	4
11	9100204	Spring Washer, M8	7
12	9313044	Setscrew, M8 x 20	4
13	23034.33	RCV Hose Clamp, 97.2 CTRS.	2
14	9213114	Bolt, M8 x 55	1
15	9213074	Bolt, M8 x 35	2
16	9163004	Nyloc Nut, M8	3
17	8581264	Adaptor, 1" BSP MF Swept 90	1
18	23362.02	RH SSRCV MTG. Bracket	1
19	9100105	Flatwasher, M10	2
20	9163005	Nyloc Nut, M10	5
21	23362.03	Strap	1
22	9313075	Setscrew, M10 x 35	4
23	9313065	Setscrew, M10 x 30	1

SOFT START RCV RMB1880F & RMB2080F



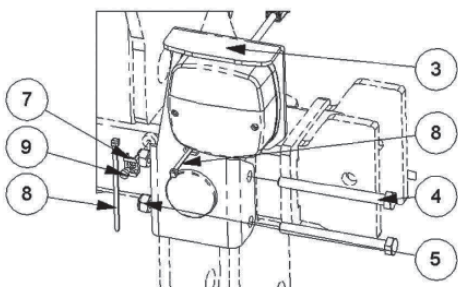
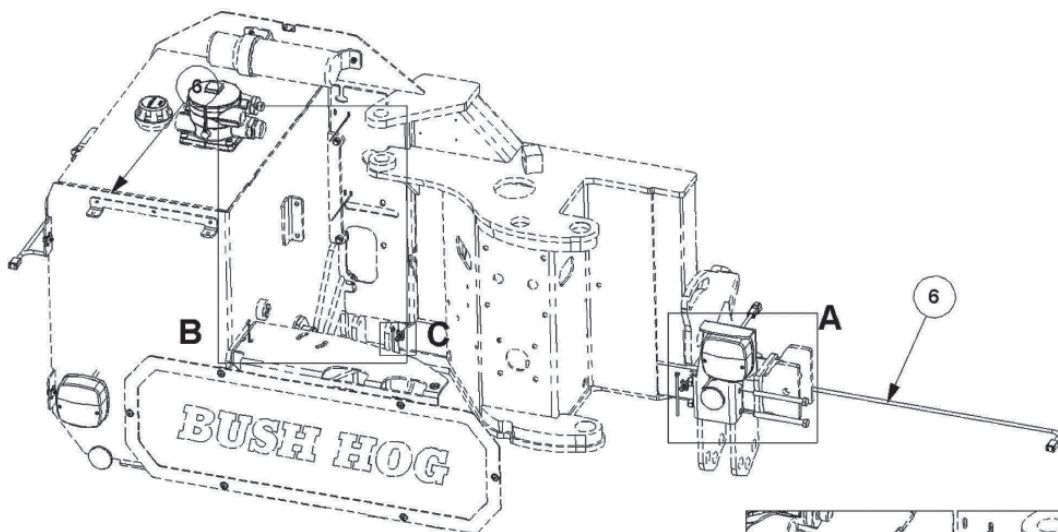
Item No.	Part No.	Description	Qty.
1	22677.32	Valve	1
	8699305	Seal Kit (For 22677.32)	1
2	22677.57	Relief Valve	1
	8699304	Seal Kit (For 22677.50-51 & 56-59)	1
3	22677.34	Plug	4
4	22677.37	Valve	1
	8699302	Seal Kit (For 22677.37)	1
5	22677.38	Valve	4
	8699303	Seal Kit (For 22677.38)	4
6	22677.61	Coil	1
7	22677.60	Coil	4
-	8699288	Seal Kit Package	1

ADVANCE FLOAT SENSOR MODULE, DT RMB1880F & RMB2080F

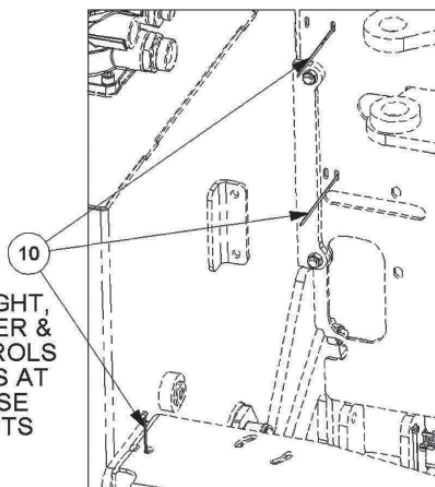


Item No.	Part No.	Description	Qty.
	7556747	Advance Float Sensor Module, DT	1
1	8650102	Bonded Seal, 1/4" BSP	1
2	8103005	3/8" BSPM - 1/4" BSPF Union	1
3	41844.71	Lift Sensor Loom 3M DT Connector	1
4	8402422	Hydac Pressure Transducer 0-250 Bar	1

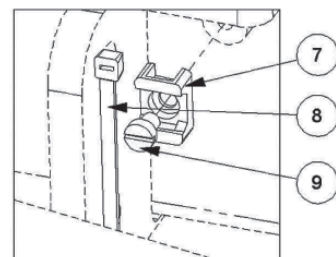
LIGHTING, RH MODULE RMB1880F & RMB2080F



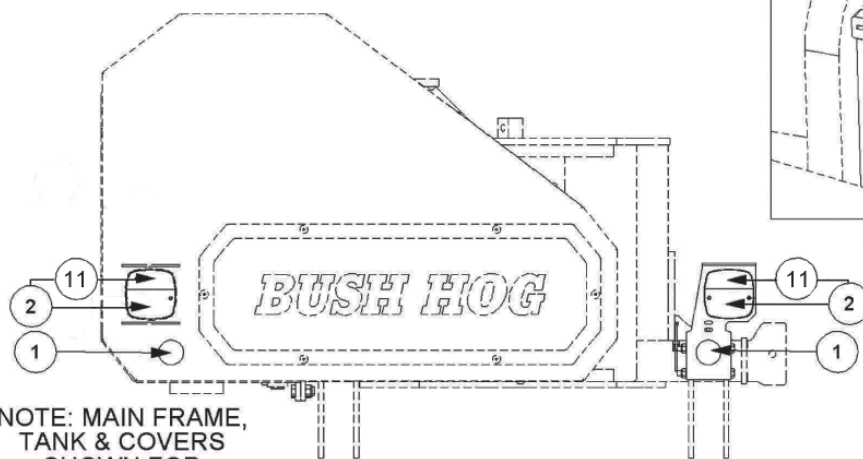
A (1:7)



B (1:8)



C (1:2)

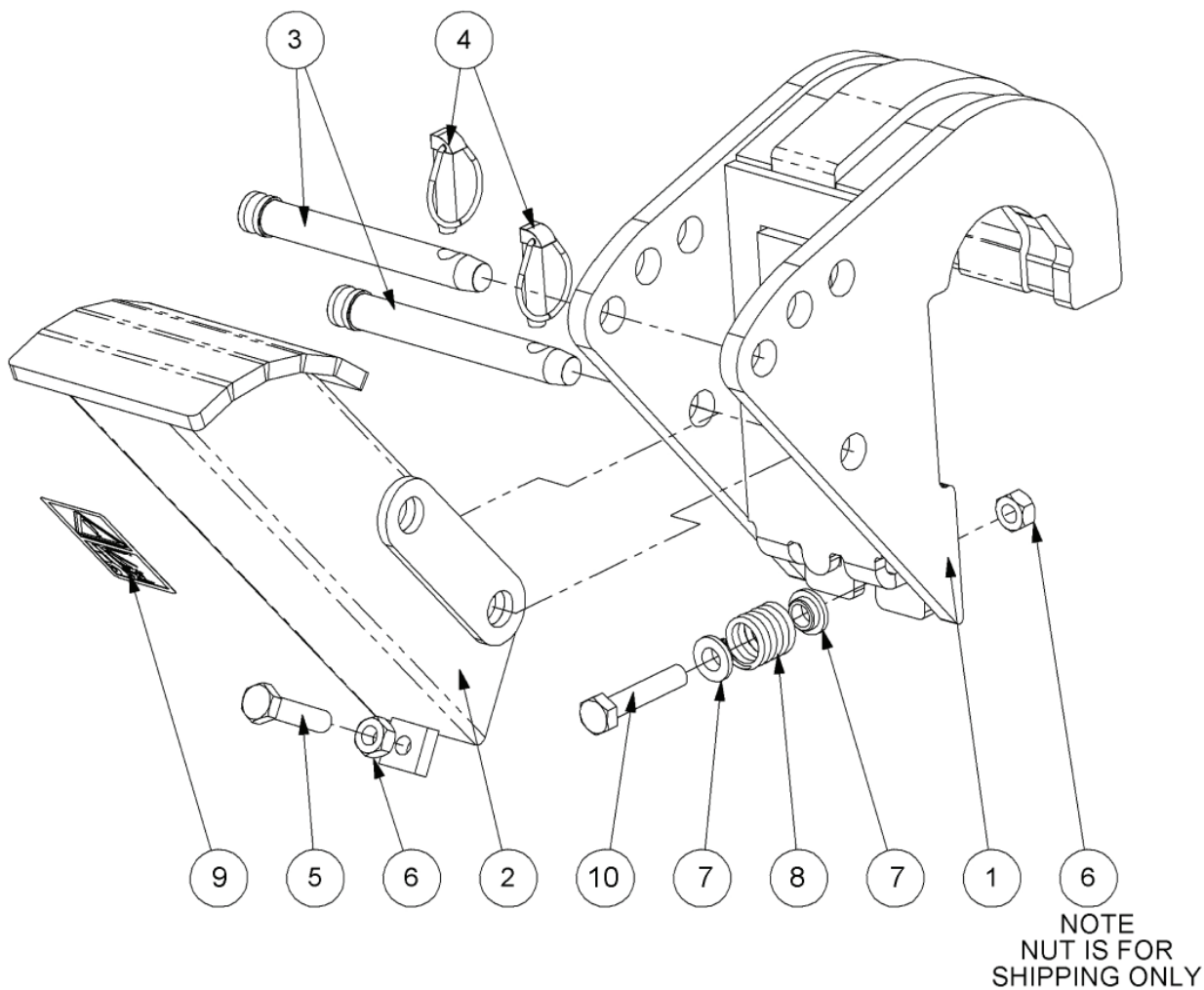


NOTE: MAIN FRAME,
TANK & COVERS
SHOWN FOR
ILLUSTRATION ONLY

LIGHTING, RH MODULE RMB1880F & RMB2080F

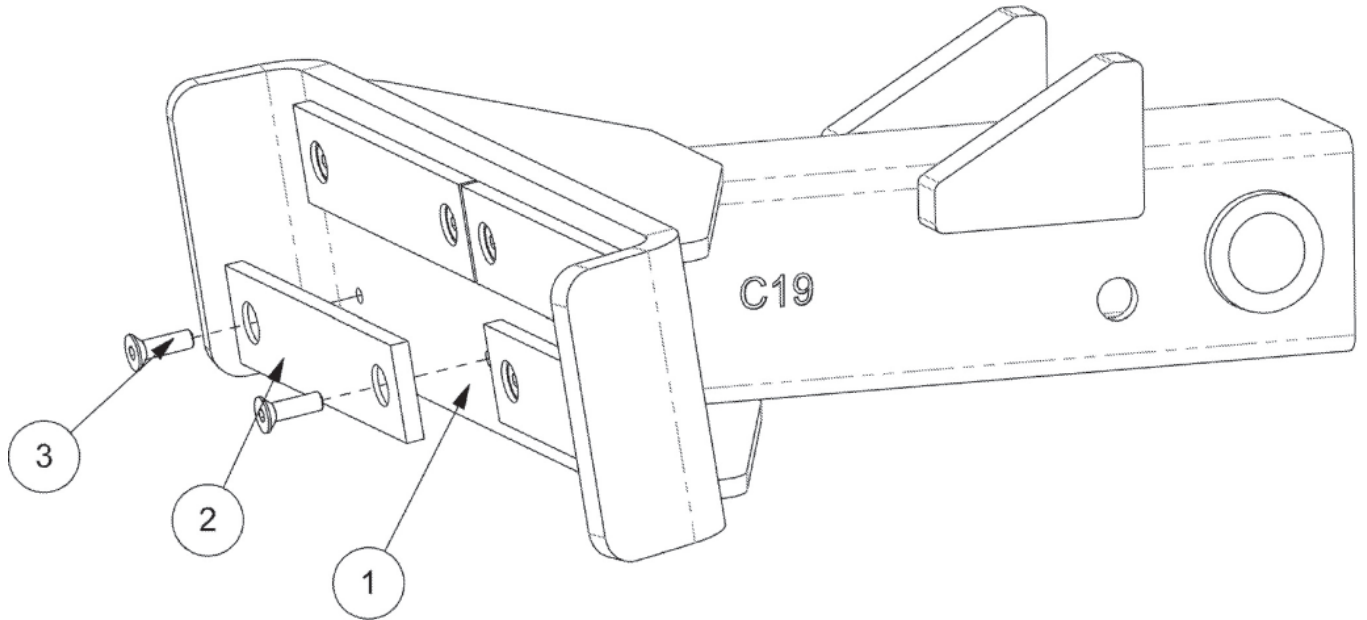
Item No.	Part No.	Description	Qty.
1	45671.02	Reflector Self Adhesive, Red	2
2	45642.02	Combination Lamp Assy	2
3	23348.02	RH Light Bracket	1
4	9213266	Bolt, M12 x 30	2
5	9163006	Nyloc Nut, M12	2
6	45656.13USA	Lighting Loom USA 7 Pin Plug	1
7	22340.01	Cable Tie, Tie Cradle	2
8	22342.01	Cable Tie - 4.8W x 120 LG	3
9	9300170	Steel Slotted Cheese Head Screw, M6 x 8	2
10	7135084	Cable Tie, 180 MM LG	3
11	45642.34	Lens	2

LIFT STOP KIT RMB1880F & RMB2080F



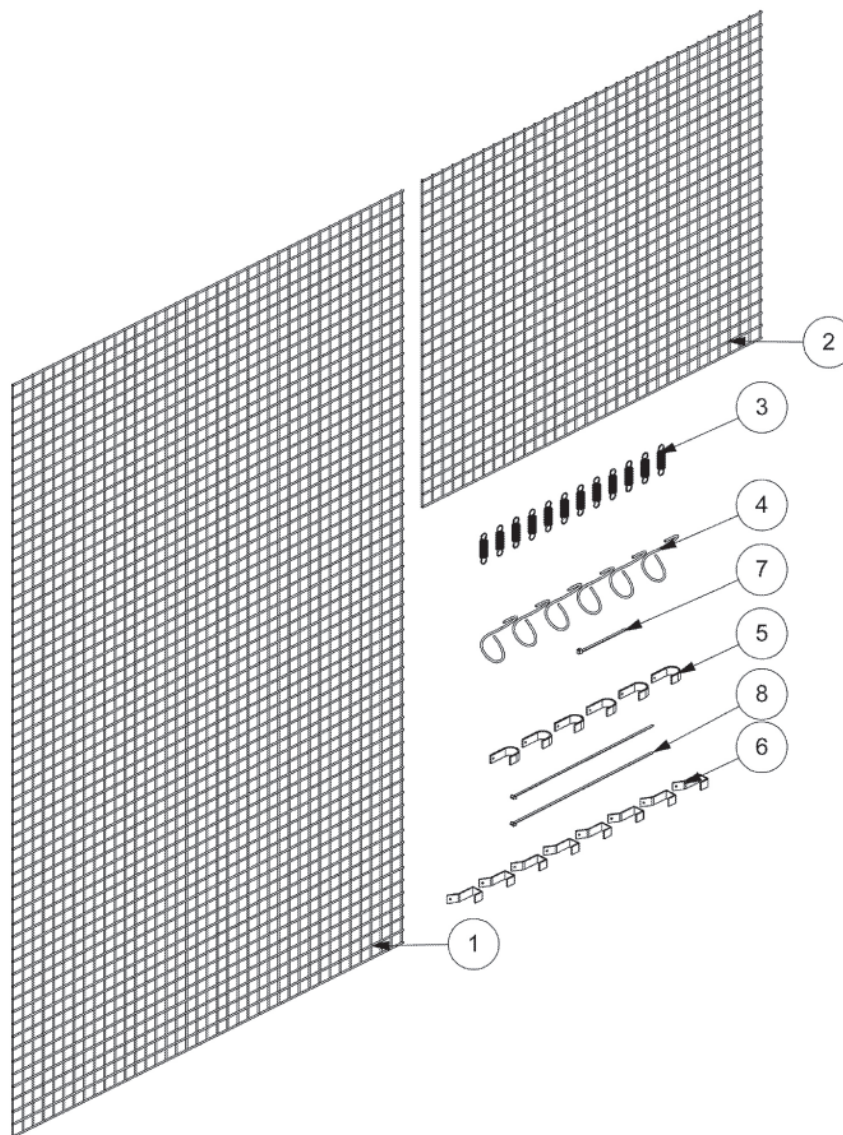
Item No.	Part No.	Description	Qty.
1	22483.03	Stop Mtg. Bracket	1
2	22485.02	Prop	1
3	03.874.01	Pin, 19 Dia. x 140.0	2
4	0431217	Lynch Pin	2
5	9313106	Setscrew, M12 x 50	1
6	9113006	Nut, M12	2
7	21757.01	Spring Locator	2
8	8020178	Compression Spring	1
9	1290913	Decal, Lift Stop Clearance	1
10	9313126	Setscrew, M12 x 60	1

TRANSPORT PROP MODULE VFR RMB1880F & RMB2080F



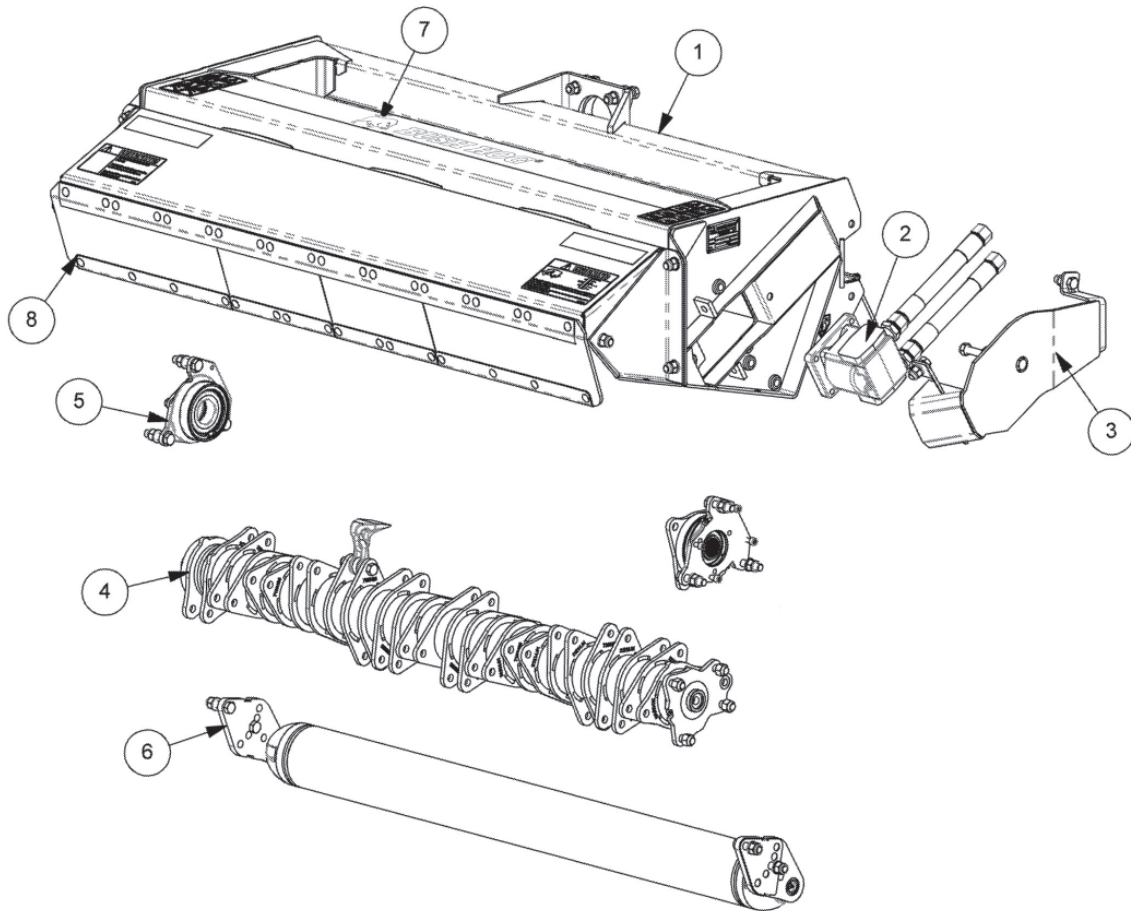
Item No.	Part No.	Description	Qty.
1	43021.22	Transport Prop	1
2	43091.03	Pad, Transport Prop	4
3	9353043	Capscrew, M6 x 20 SKT CSK	8

GUARD KIT RMB1880F & RMB2080F



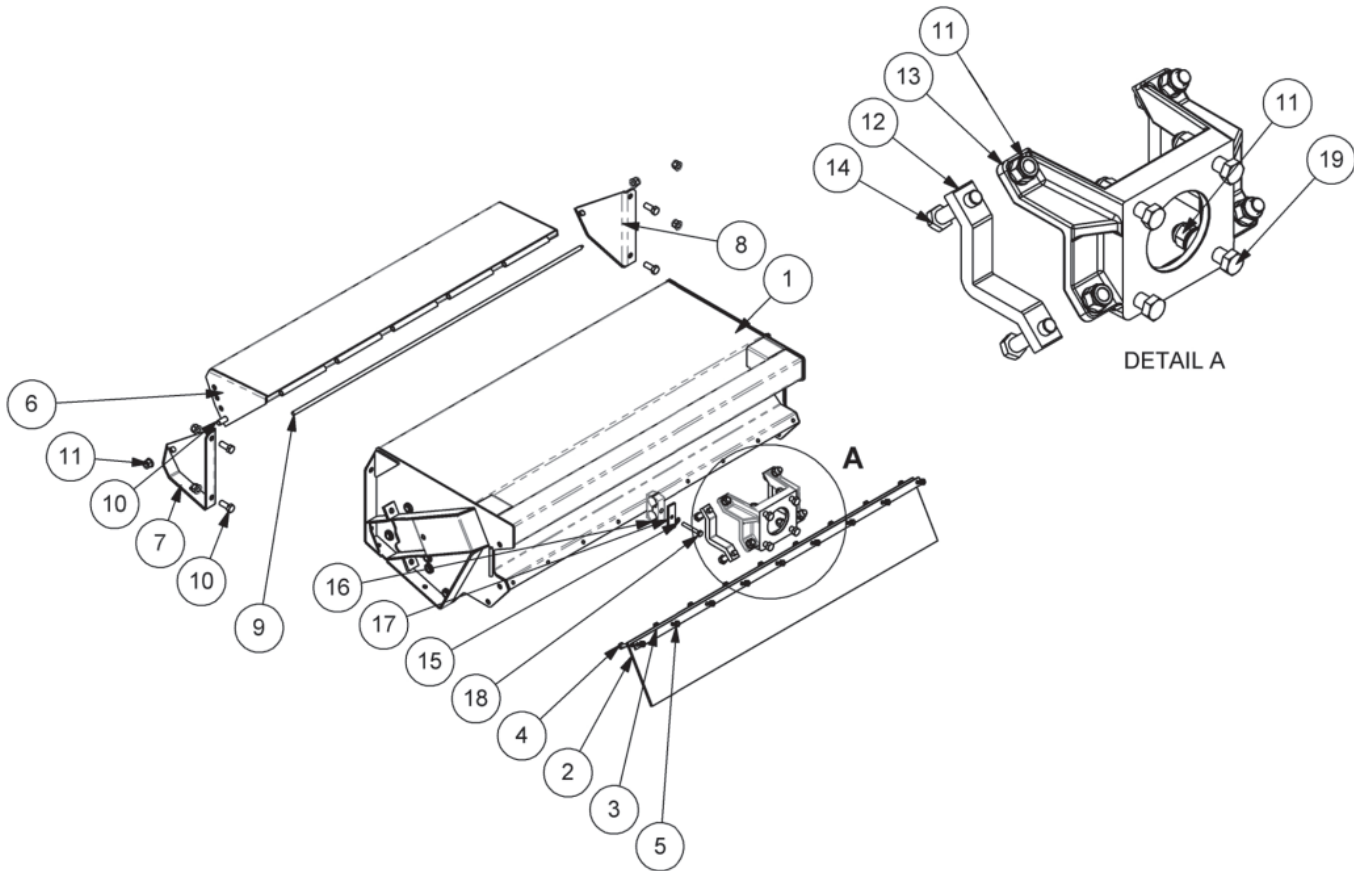
Item No.	Part No.	Description	Qty.
1	7313049	Guard Panel, Large	1
2	7313050	Guard Panel, Small	1
3	6001064	Guard Spring, *BI*	12
4	6001065	Guard Hook, *BI*	6
5	41587.01	Guard Hook	6
6	41745.01	Plastic Hook	8
7	22342.01	Cable Tie - 4.8W x 120 LG	1
8	7196045	Hose Tie, 350MM	2

FLAIL HEADS



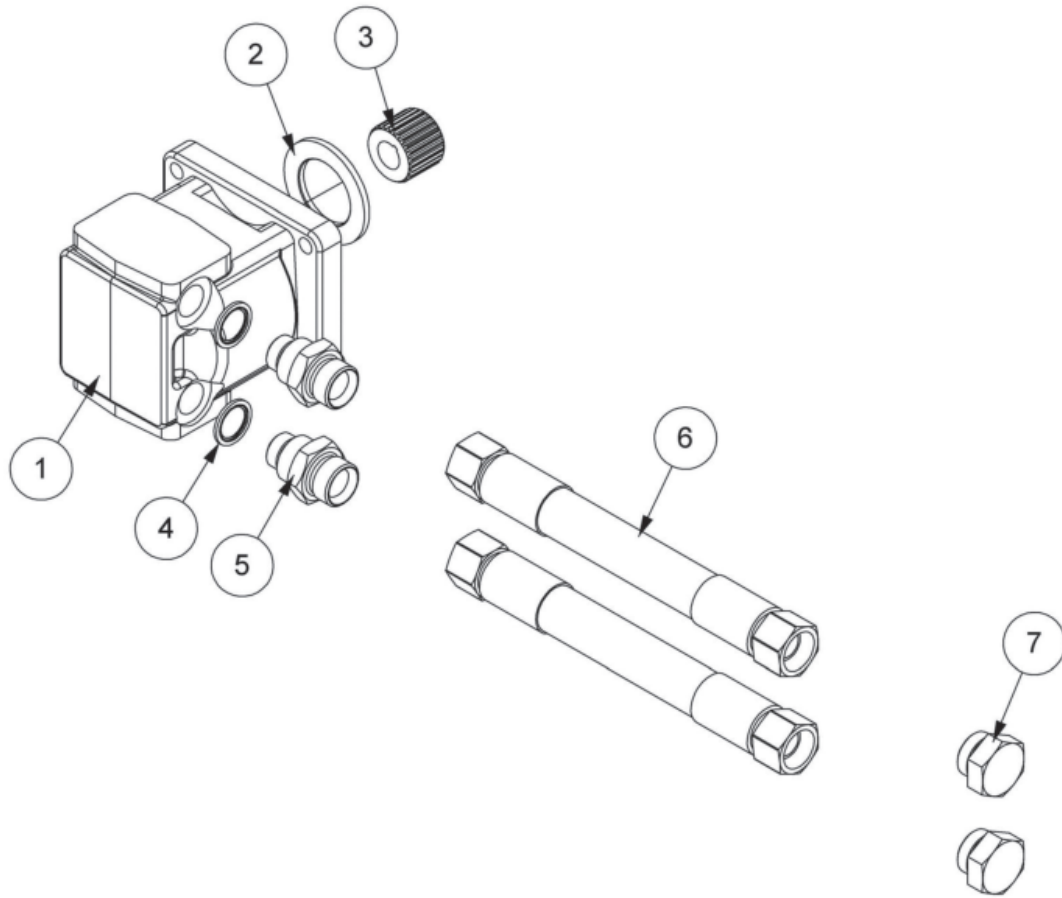
Item No.	Part No.	Description	Qty.
	-----	50" Flail Head W/Boot Flails	1
	-----	50" Flail Head W/Omega Flails	1
	-----	60" Flail Head W/Boot Flails	1
1	-----	1.2M Casing Module	1
	-----	1.5M Multicut Casing Module	1
2	-----	125 LPM Drive Module	1
	-----	125 LPM Drive Module, 65 HP 1.5M	1
3	22496.03	LH 52-65HP Motor Cover Module	1
4	-----	Rotor Assembly	1
	-----	Omega Rotor Assembly, 1.2M	1
	-----	1.5M Rotor Assembly Forged Boot	1
5	-----	Quad Drive Module	1
6	-----	Roller Assembly	1
	-----	1.5M Roller Assembly	1
7	-----	Head Decal Kit	1
8	21541.01	Front Flap Kit, 50" Flail Head	1
	21541.02	Front Flap Kit, 60" Flail Head	1

CASING - 50" FLAIL HEAD



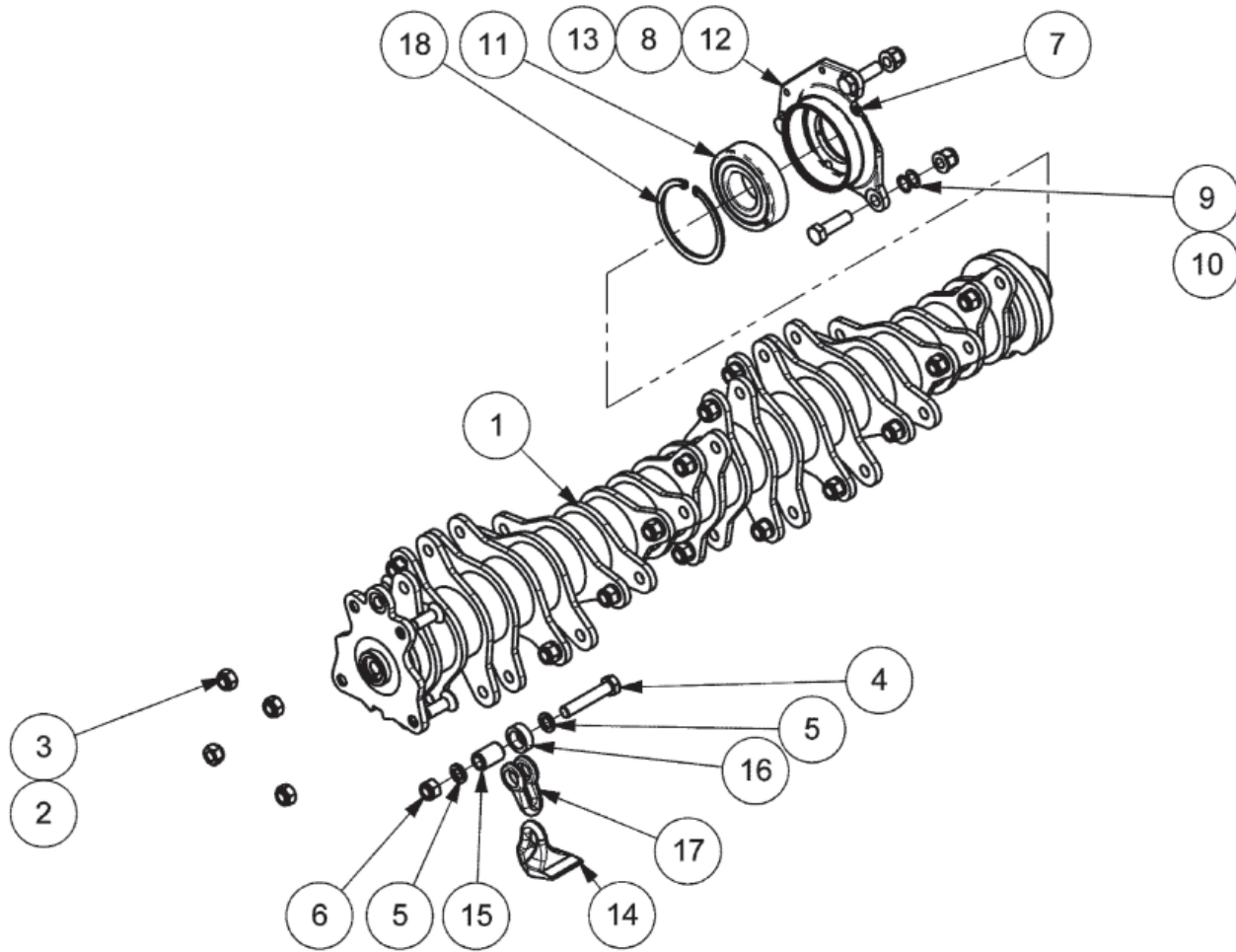
Item No.	Part No.	Description	Qty.
1	41685.01	Casing w/Assembly, MC/SL Head	1
2	7190314	Flap	1
3	7190313	Clamp Strip	1
4	9313065	M10 x 30 (Coarse) H.T. Hex	9
5	9143005	Cleavelock Nut, Coarse, M10	9
6	41695.02	Front Hood W/Assembly HD	1
7	7290388	Hood Bracket, LH	1
8	7290387	Hood Bracket, RH	1
9	41700.01	Hinge Pin, Hood MC/SL. Head	1
10	30.073.25	Hex Bolt, M16 x 1.5p 40 MM LG	6
11	9100024	Nyloc Nut, Flanged, M16 x 1.5P	14
12	7198332	Clamp (Painted)	2
13	7198330	Clamp W/Assembly	1
14	12.714.75	Hex Bolt, M16 x 1.5P x 75 LG	4
15	9100205	Spring Washer, 10MM	1
16	7193063	1" BSP Pair Hose Clamps	1
17	06.418.05	Clamp Plate 95 x 6, Plated	1
18	9213145	M10 x 70 (coarse) H.T. Hex	1
19	9210167	Bolt, M16 x 1.5p x 80 MM LG BZP	4

125 LPM DRIVE MODULE - 50" FLAIL HEAD



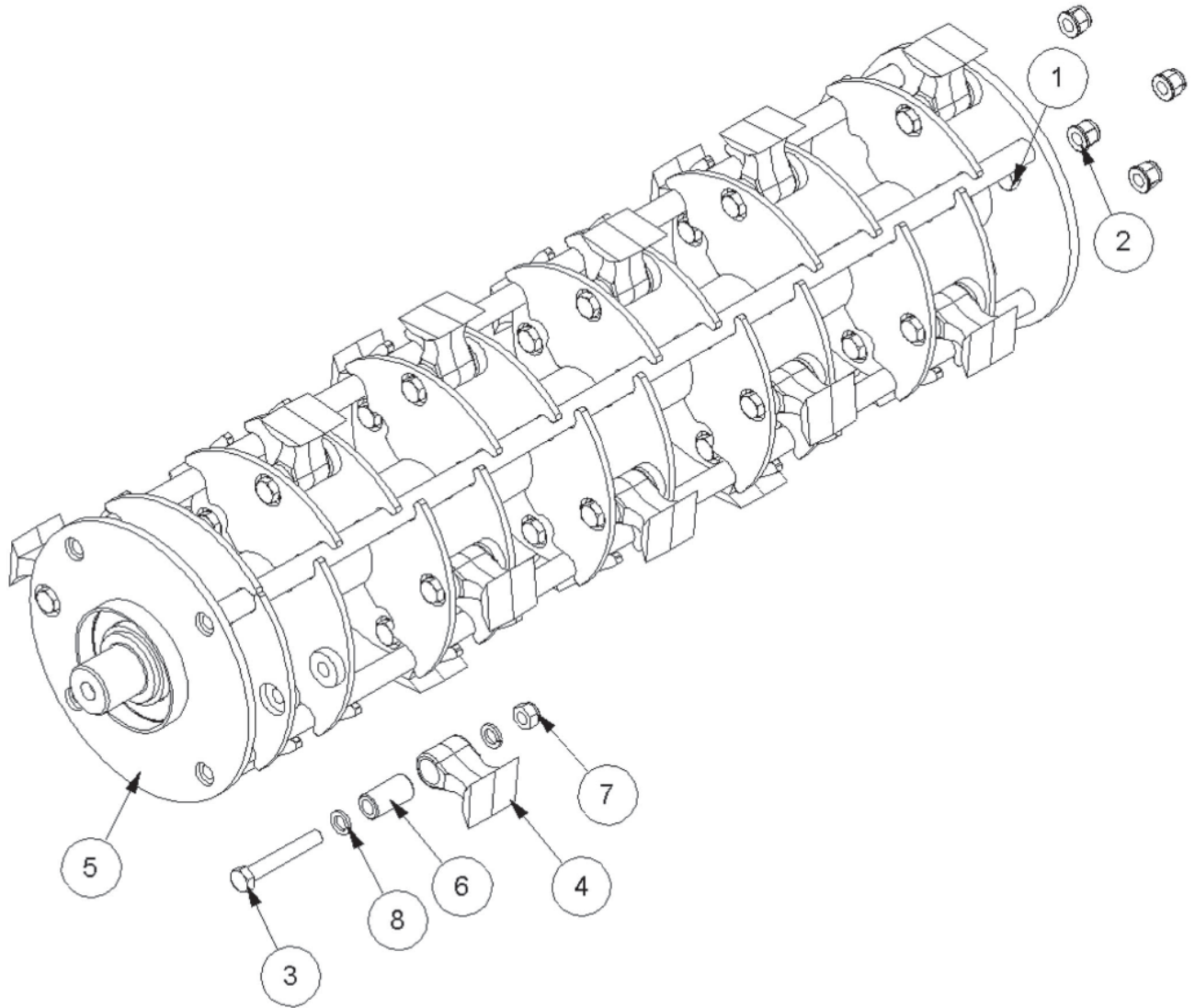
Item No.	Part No.	Description	Qty.
1	8301304	Motor, 1.2M 65HP, Rear Port	1
	8699236	Seal Kit	1
	9100015	Nut, Hex Jam 14- PL5, 8MM Din# 1276	1
	8301010	Key, Woodruff	1
2	7190015	Washer, Locating	1
3	7190584	Coupling, Grease (27 Spline)	1
4	8650106	Bonded Seal, 3/4" BSP	2
5	8581295	Adaptor, 3/4" x 1" BSP	2
6	8501254	Hose, 1" BSP 210B FS/FS 1900MM LG	2
7	05.433.03	1" BSP Male Plug With Cone	2

ROTOR ASSEMBLY - 50" FLAIL HEAD W/BOOT FLAILS



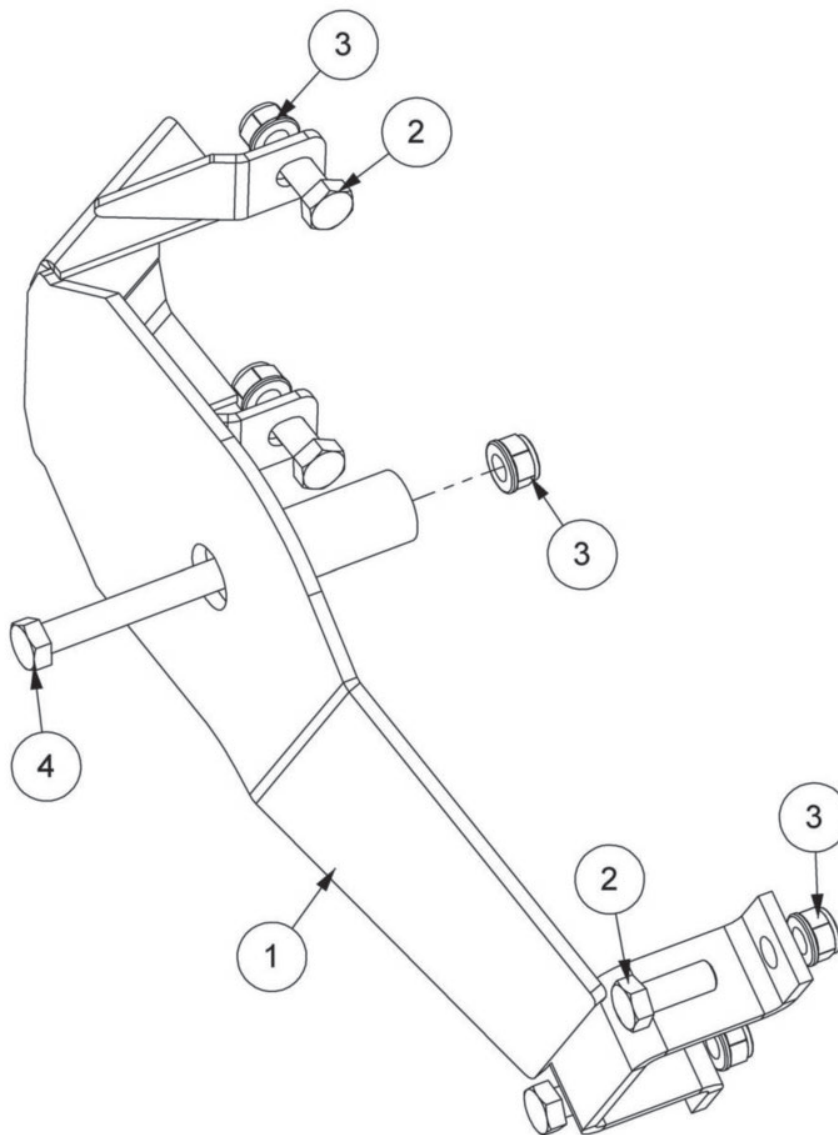
Item No.	Part No.	Description	Qty.
1	22269.10	Rotor 1.2M Quad Drive Boot Flail	1
2	9353097	Capscrew, M16 x 45 SKT CSK	4
3	9163007	Nyloc Nut M16	4
4	7314201	5/8" UNF Special Bolt	24
5	0100206	5/8" Spring Washer	48
6	0141006	5/8" UNF Cleveloc Nut	24
7	0901121	Grease Nipple 1/8" BSP STR.	2
8	9200023	Bolt M16 x 15p x 55 LG	3
9	8121043	Shim 1.4mm	5
10	8121044	Shim 0.5mm	5
11	0600018	Ball Bearing 120 x 55 x 29 (C3) 6311	1
12	7190261	Bearing Housing	1
13	9100024	M16 x 1.5p S/Locking Flange Nut	3
14	09.902.01	Forged Boot Flail	24
15	7314223	Flail Pivot Bush (Narrow)	24
16	7190172	Spacer	24
17	7190175	Shackle	24
18	7190022	120 Dia. Int. Circlip	1

ROTOR ASSEMBLY - 50" FLAIL HEAD W/OMEGA FLAILS



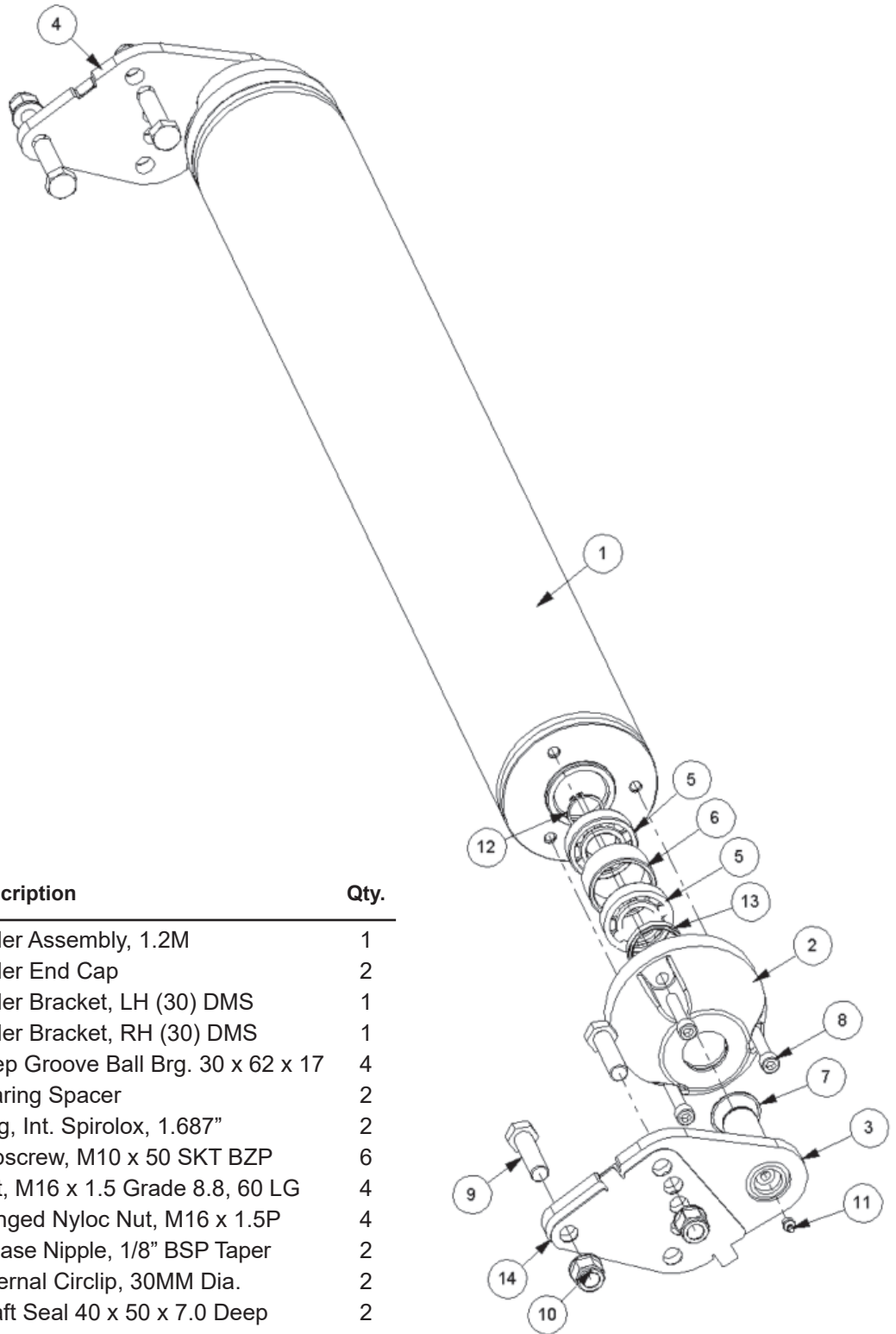
Item No.	Part No.	Description	Qty.
1	9200028	Bolt, M16 x 1.5P x 45 LG	4
2	9100024	Flanged Nyloc Nut, M16 x 1.5P	4
3	7390006	Special Bolt, 5/8" UNF x 103 MM	20
4	T1840572	Flail - Omega	20
5	22497.07S	Rotor Assembly	1
6	21215.02	Bushing	20
7	0141006	Cleveloc Nut, 5/8" UNF	20
8	0100206	Spring Washer, 5/8" *BI* BZP	40
9	05.953.01	Grease Nipple, M6	1

MOTOR COVER MODULE, LH 52 - 65 HP 50" & 60" FLAIL HEAD



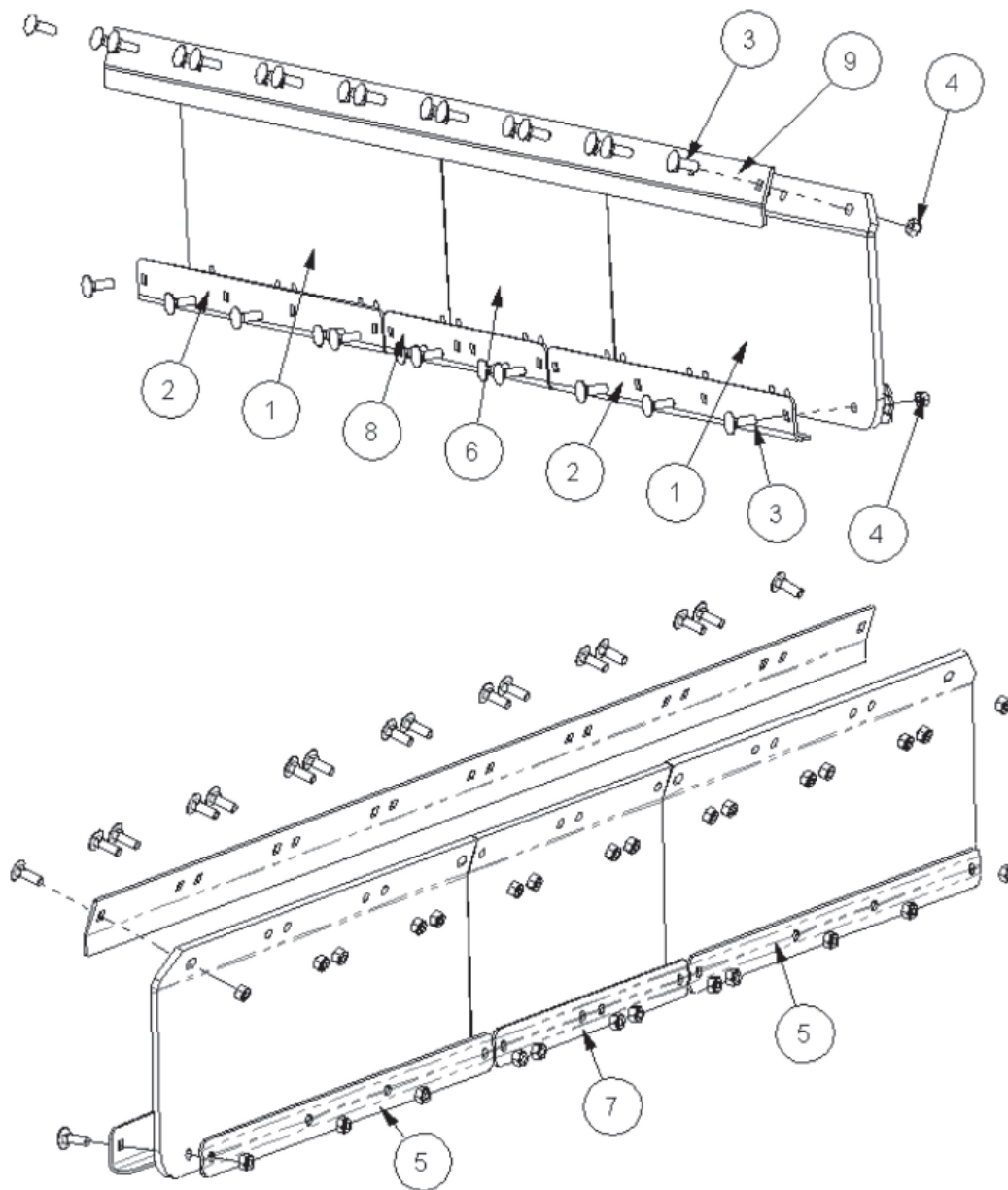
Item No.	Part No.	Description	Qty.
	22496.03	Motor Cover Module, L, 52-65 HP	1
1	42282.03	Motor Cover, LH W/Assembly	1
2	9200028	Bolt, M16 x 1.5P x 45 LG	4
3	9100024	Flanged Nyloc Nut, M16 x 1.5P	4
4	9200034	Hex Bolt, M16 x 1.5P x 180 LG	1
5	T7942	Nyloc Nut, M16 x 1.5P	1

ROLLER ASSEMBLY 1.2 DMS - 50" FLAIL HEAD



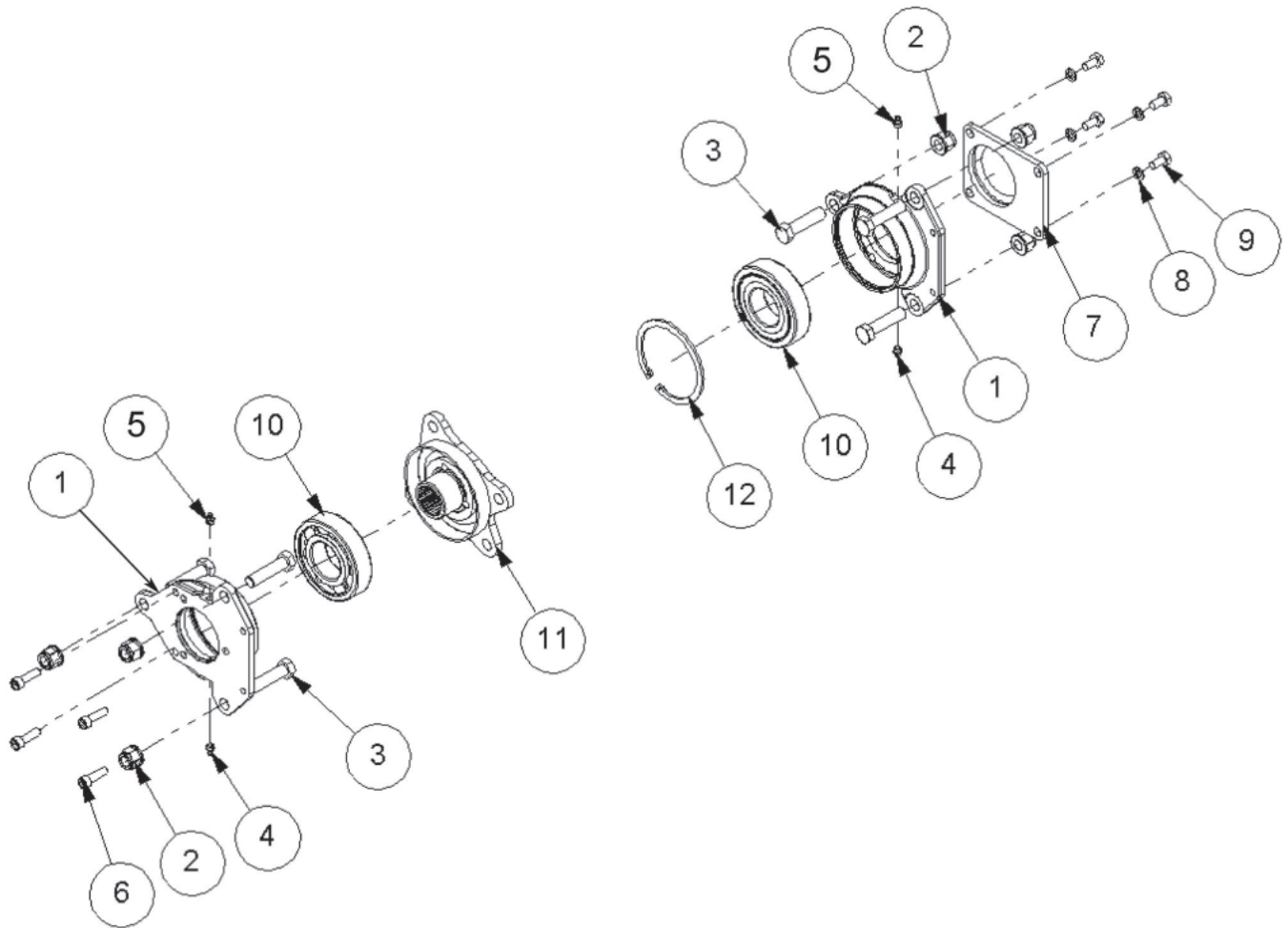
Item No.	Part No.	Description	Qty.
1	21394.03	Roller Assembly, 1.2M	1
2	21394.32	Roller End Cap	2
3	21524.12	Roller Bracket, LH (30) DMS	1
4	21524.13	Roller Bracket, RH (30) DMS	1
5	0600111	Deep Groove Ball Brg. 30 x 62 x 17	4
6	21523.31	Bearing Spacer	2
7	0402240	Ring, Int. Spirolox, 1.687"	2
8	9343105	Capscrew, M10 x 50 SKT BZP	6
9	9200031	Bolt, M16 x 1.5 Grade 8.8, 60 LG	4
10	9100024	Flanged Nyloc Nut, M16 x 1.5P	4
11	0901121	Grease Nipple, 1/8" BSP Taper	2
12	0401230	External Circlip, 30MM Dia.	2
13	8629239	Shaft Seal 40 x 50 x 7.0 Deep	2
14	42257.10	Shim, 1.2M DMS Quad Drive	2

FRONT FLAP KIT - 50" FLAIL HEAD



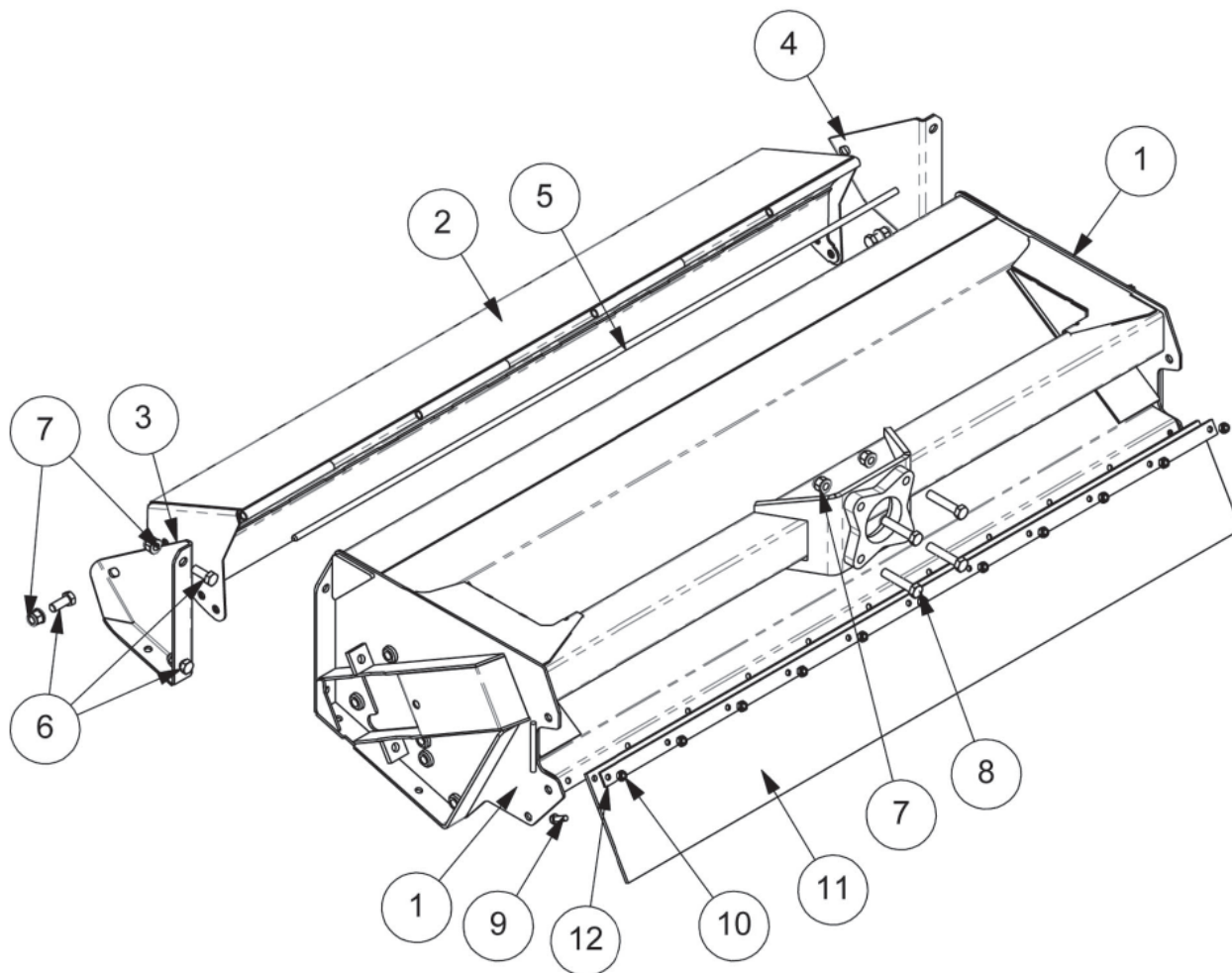
Item No.	Part No.	Description	Qty.
	21541.01	Front Flap Kit	1
1	21544.09	Front Flap, 512 x 215, 12 Holes	2
2	21541.05	Flap Outer Edge Plate	2
3	9290354	Carb. Metric 8 - P1.25 - 25MM PI5	28
4	9163004	Nyloc Nut, M8	28
5	21541.06	Clamp Plate	2
6	21544.02	Front Flap - 321 x 215, * Holes	1
7	21541.08	Middle Clamp Plate	1
8	21541.07	Flap Inner Edge Plate	1
9	7190304	Flat Clamp Strip	1

QUAD DRIVE MODULE, MULTICUT - 50" & 60" FLAIL HEAD



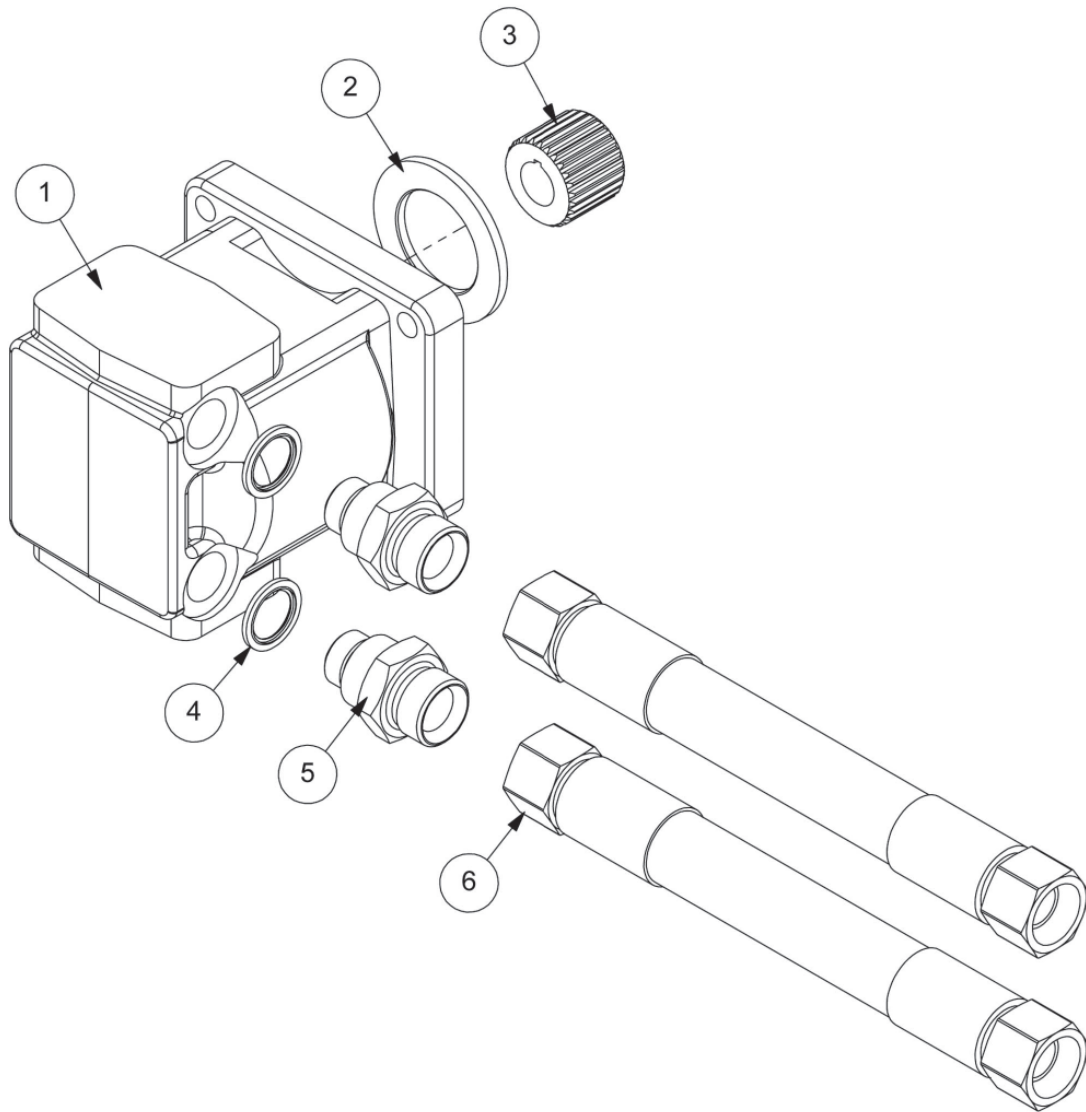
Item No.	Part No.	Description	Qty.
1	7190261	Bearing Housing	2
2	9100024	Flanged Nyloc Nut, M16 x 1.5P	6
3	9200031	Bolt, M16 x 1.5 Grade 8.8, 60 LG	6
4	0901121	Grease Nipple, 1/8" BSP Taper	2
5	0901125	Grease Nipple, 1/8" BSP	2
6	9300144	M10 x 35MM LG. S.H. Tuflox	4
7	7190292	Cover Plate	1
8	9100205	Spring Washer, 10MM BZP*Din 127B	4
9	9313045	M10 x 20 (Coarse) H.T. Hex *BI*	4
10	0600018	Bearing, 6311Z C3	2
11	22269.02	Drive Hub, Quad Drive	1
12	7190022	Internal Anderton Circlip	1
13	8121043	Spacer (item not shown)	5
14	8121044	Spacer - Thick (item not shown)	5

CASING - MULTICUT, 1.5M MODULE - 60" FLAIL HEAD



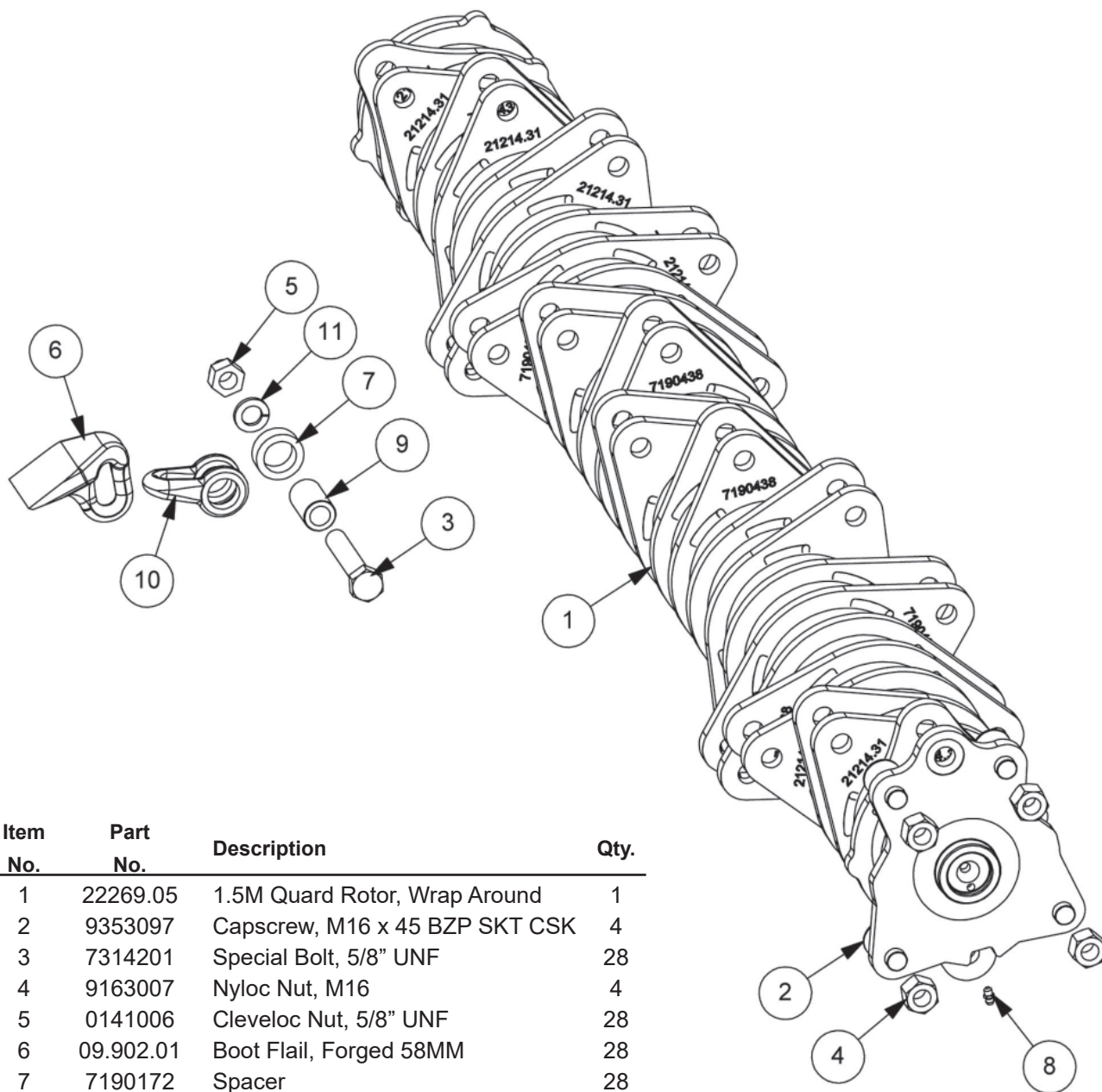
Item No.	Part No.	Description	Qty.
1	42427.06	1.5M HD Casing	1
2	21748.03	Hood, 1.5M Multicut	1
3	22492.03	Main Pressing, Hood Support, LH	1
4	22492.04	Main Pressing, Hood Support, RH	1
5	21956.01	Hood Pivot Bar, 1.5M BD Head	1
6	30.073.25	Hex Bolt, M6 x 1.5P x 40 LG	6
7	9100024	Flange Nut, S/Locking, M16 x 1.5P	10
8	9210167	Bolt, M16 x 1.5P x 80 Lg BZP	4
9	9313065	Setscrew, M10 x 30	11
10	9163005	Nyloc Nut, M10	11
11	42440.01	Rear Flap, 1626.5 x 225, 11 Holes	1
12	42439.01	Clamp Strip, Rear, 1.5M BZP	1

125 LPM DRIVE MODULE 65 HP, 1.5M - 60" FLAIL HEAD



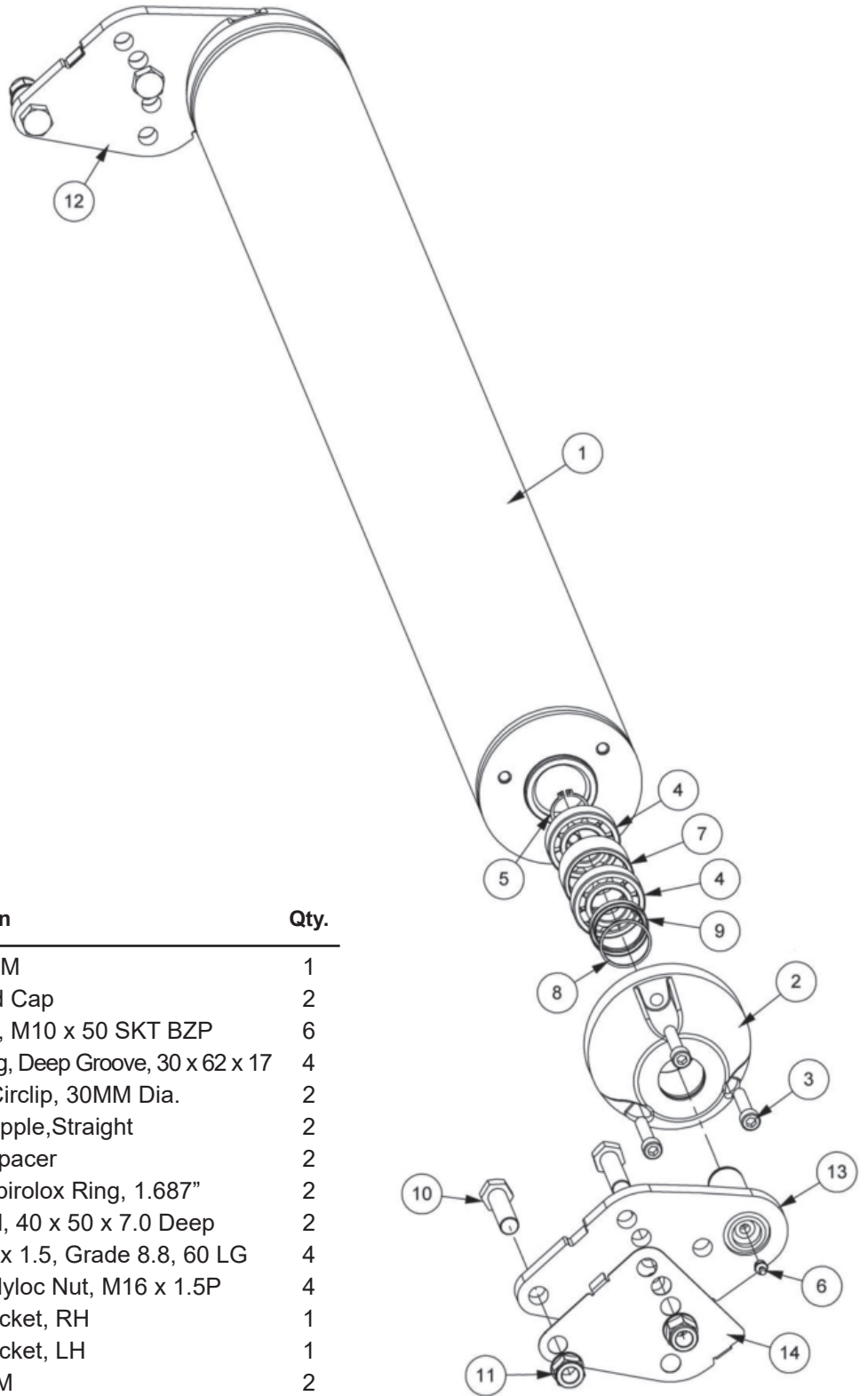
Item No.	Part No.	Description	Qty.
1	8301320	Motor, 65 HP, 50CC	1
	8699236	Seal Kit	1
	8629209	Shaft Seal	2
2	7190015	Washer, Locating	1
3	43390.02	Drive Coupling, 27 Tooth	1
4	8650106	Bonded Seal, 3/4" BSP	2
5	8581295	Adaptor, 3/4" x 1" BSP MM 64.5 LG	2
6	10.011.25	1" BSP FS/FS 1500 MM LG Hose	2

ROTOR ASSEMBLY, 1.5M - FORGED BOOT 60" FLAIL HEAD



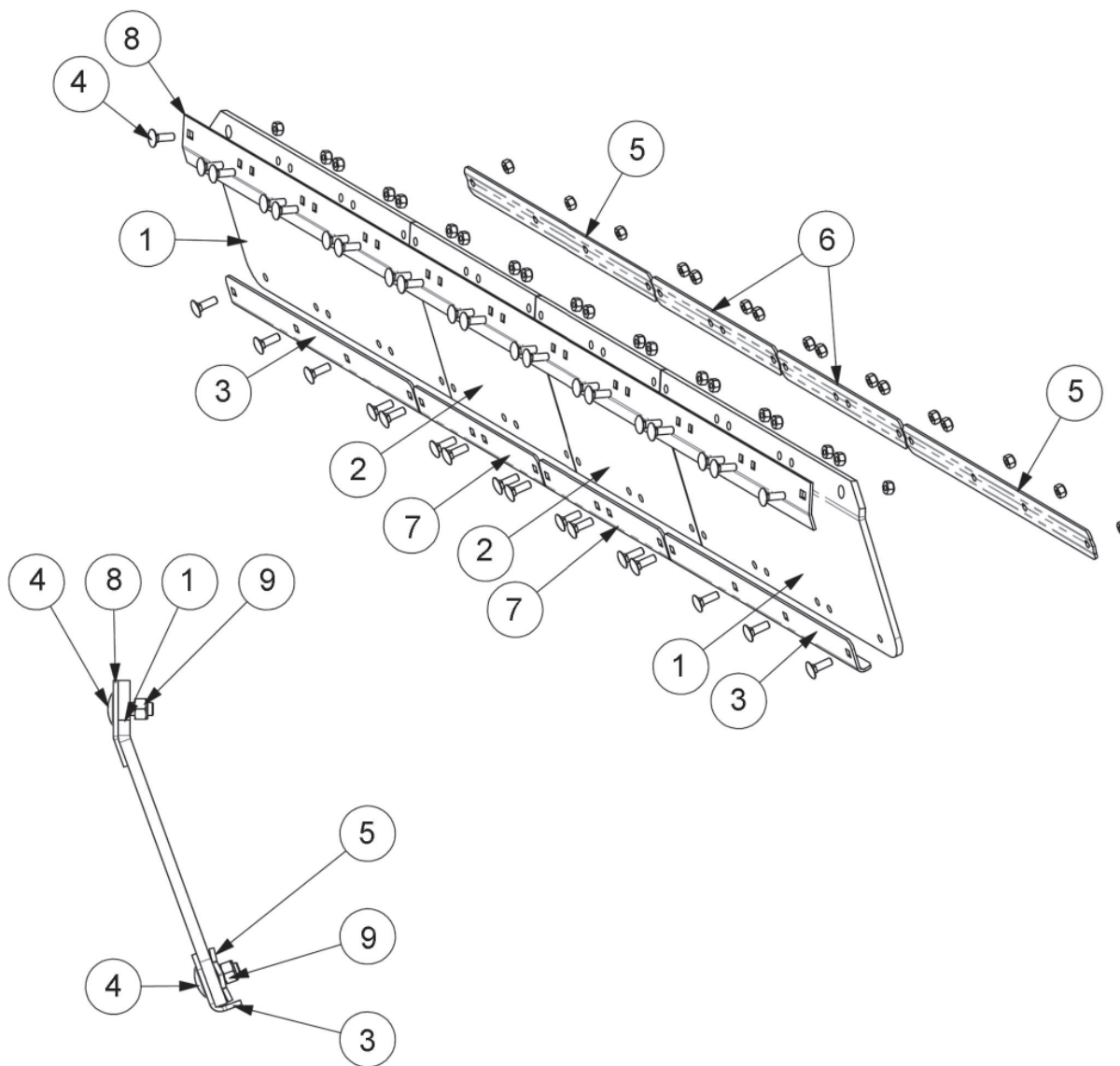
Item No.	Part No.	Description	Qty.
1	22269.05	1.5M Quard Rotor, Wrap Around	1
2	9353097	Capscrew, M16 x 45 BZP SKT CSK	4
3	7314201	Special Bolt, 5/8" UNF	28
4	9163007	Nyloc Nut, M16	4
5	0141006	Cleaveloc Nut, 5/8" UNF	28
6	09.902.01	Boot Flail, Forged 58MM	28
7	7190172	Spacer	28
8	0901161	Grease Nipple, M6 x 1 Str.	1
9	21215.01	Bushing, Flail Pivot, 1.5M Rotor	28
10	7190175	Shackle, 90 Series Rotor	28
11	9100207	Washer, Spring M16 *BI*	28

ROLLER ASSEMBLY, 1.5M - 60" FLAIL HEAD



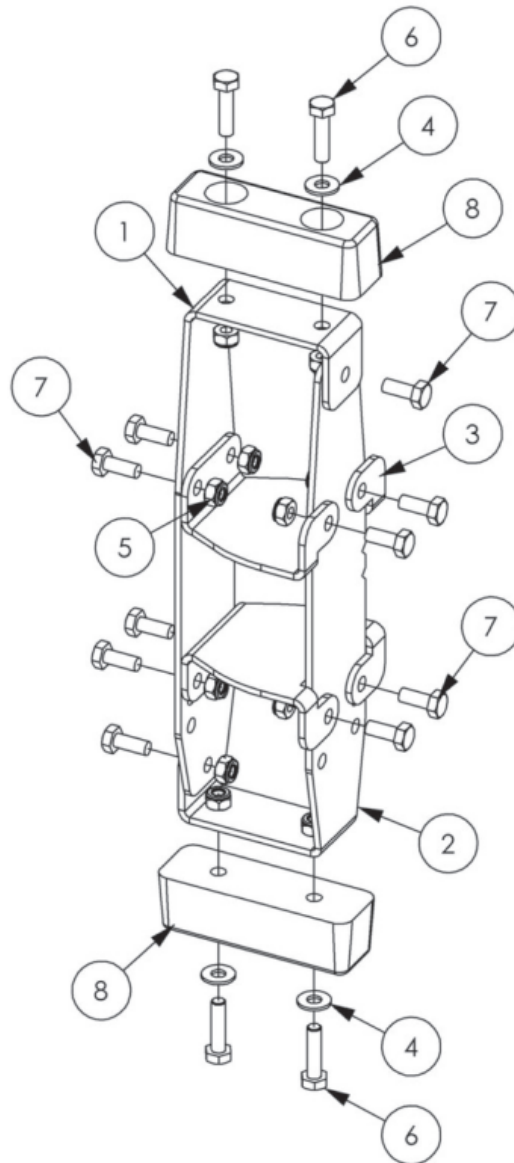
Item No.	Part No.	Description	Qty.
1	21394.27	Roller, 1.5M	1
2	21394.32	Roller End Cap	2
3	9343105	Capscrew, M10 x 50 SKT BZP	6
4	0600111	Ball Bearing, Deep Groove, 30 x 62 x 17	4
5	0401230	External Circlip, 30MM Dia.	2
6	0901121	Grease Nipple, Straight	2
7	21523.31	Bearing Spacer	2
8	0402240	Internal Spirolox Ring, 1.687"	2
9	8629239	Shaft Seal, 40 x 50 x 7.0 Deep	2
10	9200031	Bolt, M16 x 1.5, Grade 8.8, 60 LG	4
11	9100024	Flanged Nyloc Nut, M16 x 1.5P	4
12	21524.15	Roller Bracket, RH	1
13	21524.14	Roller Bracket, LH	1
14	42257.10	Shim, 1.2M	2

FRONT FLAP KIT, 1.5M HEAVY DUTY 60" FLAIL HEAD



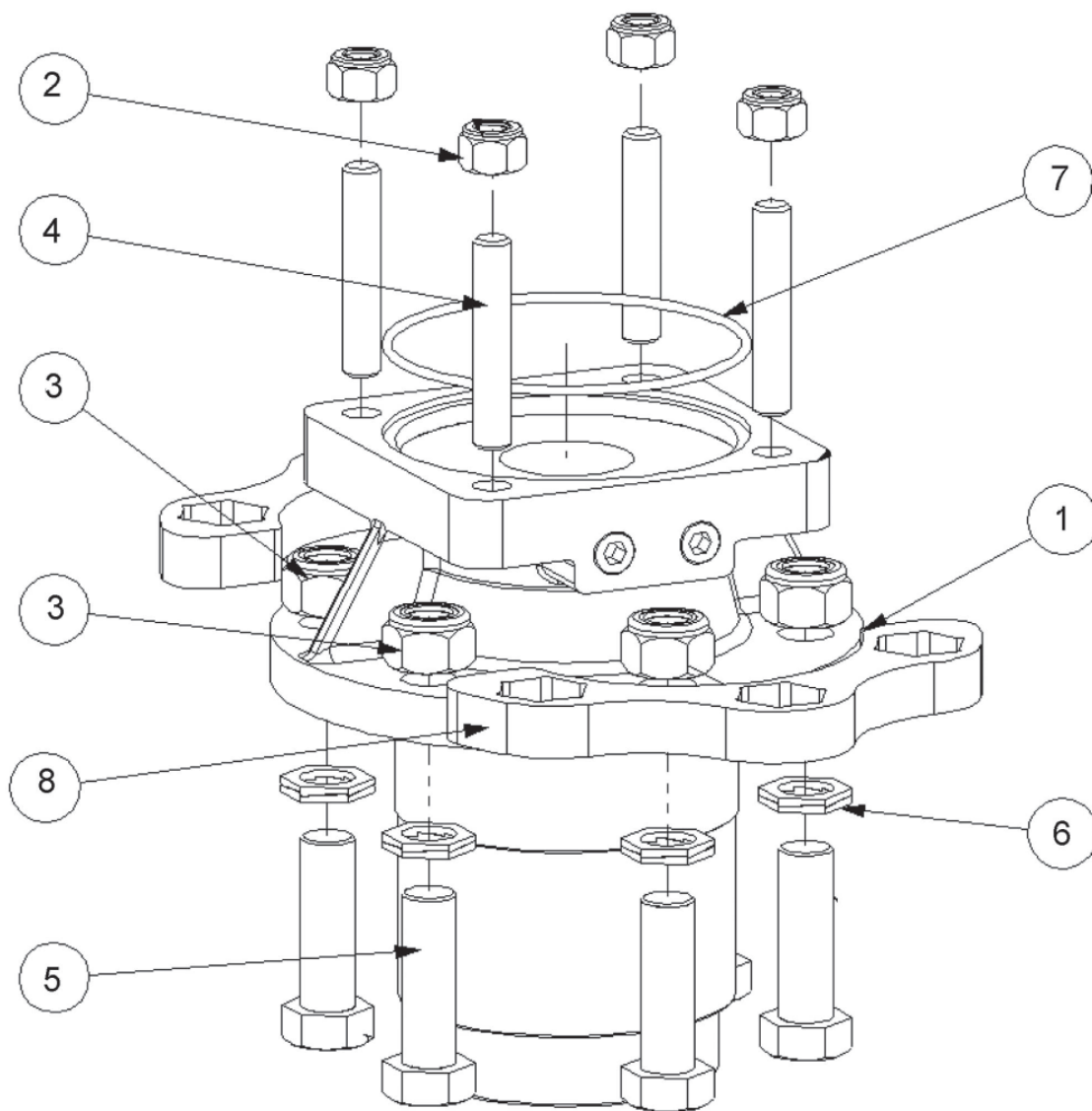
Item No.	Part No.	Description	Qty.
	21541.02	Front Flap Kit, 1.5M H.D.	1
1	21544.09	Front Flap, 512 x 215, - 12 Holes	2
2	21544.02	Front Flap, 321. x 215 - 8 Holes	2
3	21541.05	Flap Outer Edge Plate	2
4	9293054	Carb Metric, 8 - P1.25 - 25MM PL5	36
5	21541.06	Clamp Plate	2
6	21541.08	Middle Clamp Plate	2
7	21541.07	Flap Inner Edge Plate	2
8	21955.01	Clamp Strip, Front Flaps, 1.5M BD	1
9	9163004	Nyloc Nut, M8	36

STOP MODULE - ROTARY HEAD



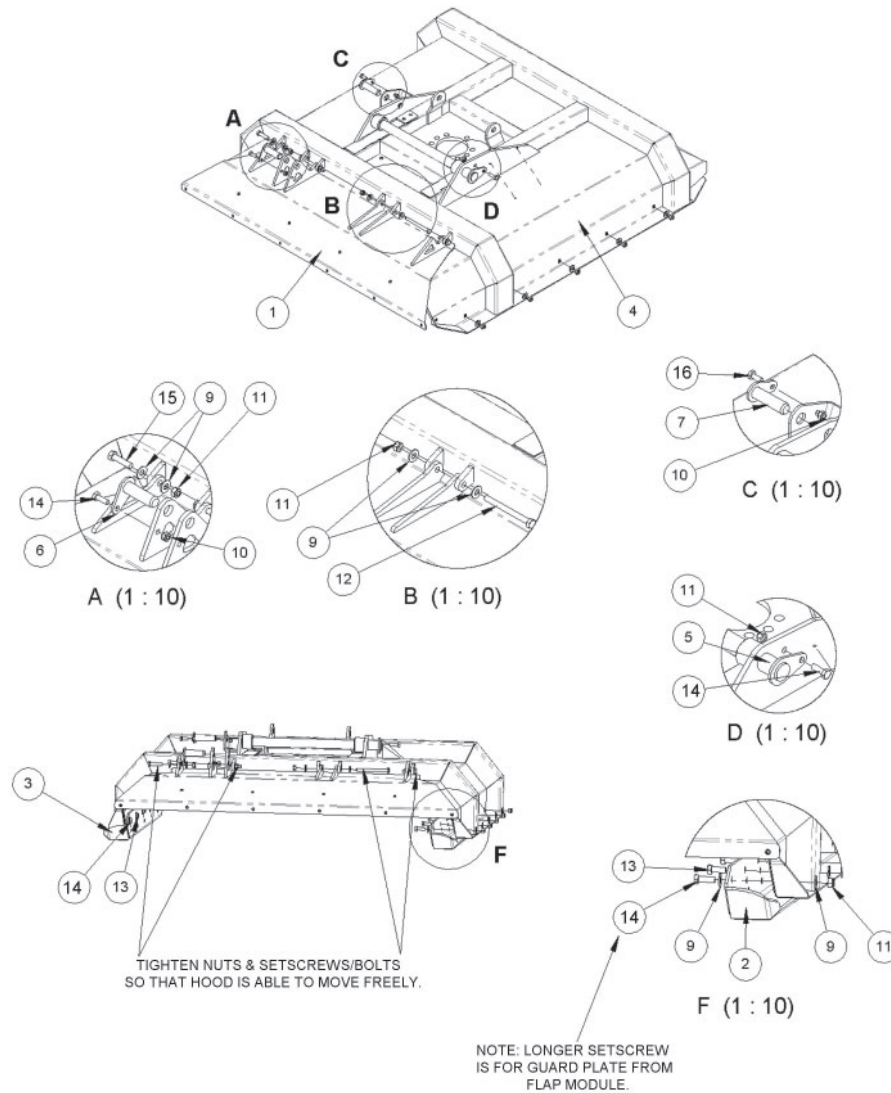
Item No.	Part No.	Description	Qty.
	1039720	Stop Module	1
1	22425.01	Stop Pressing, Top	1
2	22425.02	Stop Pressing, Bottom	1
3	22426.01	Stop Mtg. Pressing	2
4	9100105	Flatwasher, M10	4
5	9163005	Nyloc Nut, M10	14
6	9213085	Bolt, M10 x 40	4
7	9313055	Setscrew, M10 x 25	10
8	T7879	Buffer Rubber, 6" x 2" x 2"	2

BEARING UNIT MODULE - ROTARY HEAD



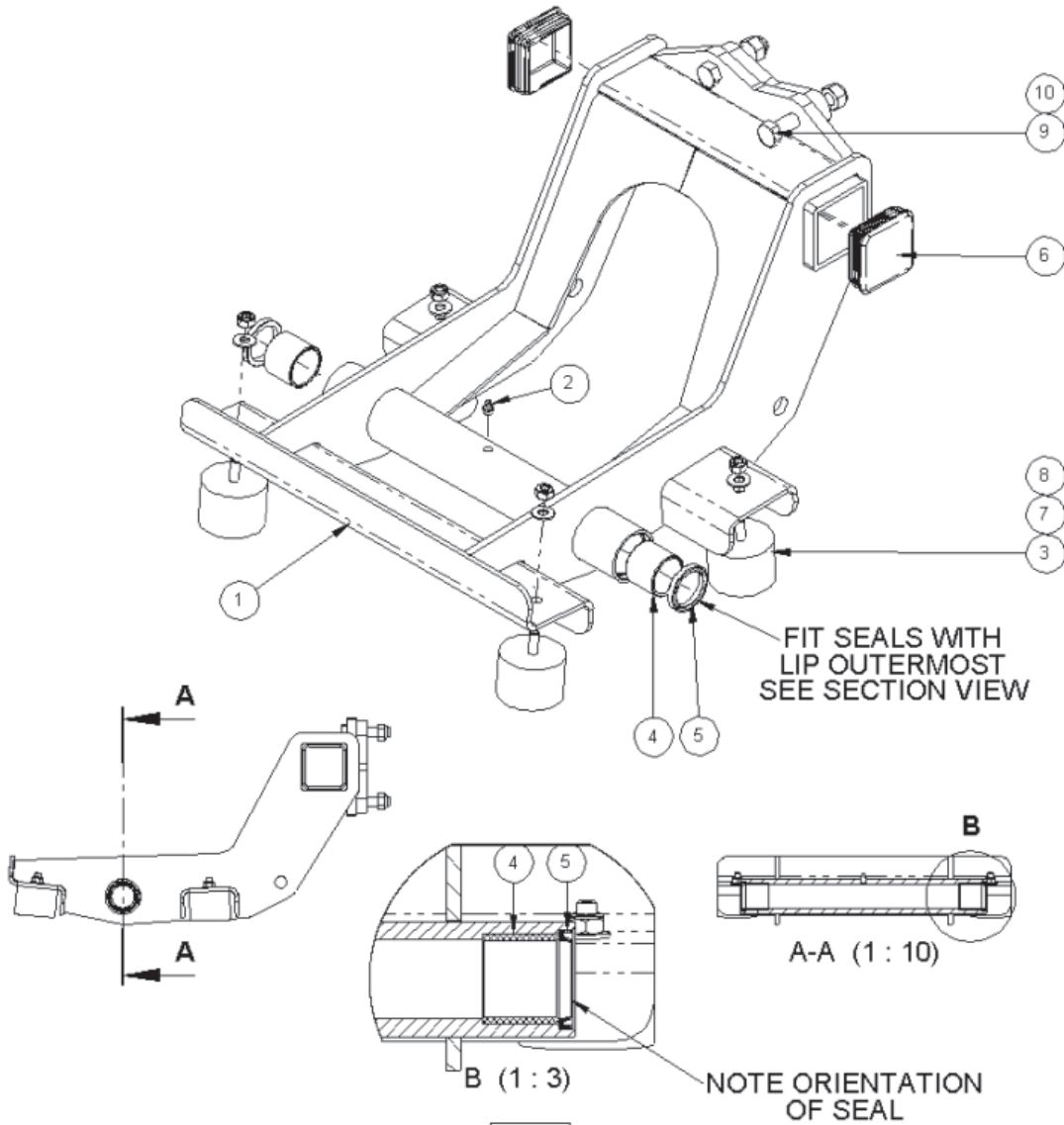
Item No.	Part No.	Description	Qty.
	1039729	Bearing Unit Assembly	1
1	02960553BL	Spindle Assy	1
2	4000355	Nut	8
3	9100033	Nut	6
4	23016.03	Stud	4
5	9200071	Bolt	6
6	9100508	Washer	6
7	8600329	"O" Ring	1
8	23378.02	Plate	2

HEAD CASING MODULE - ROTARY HEAD



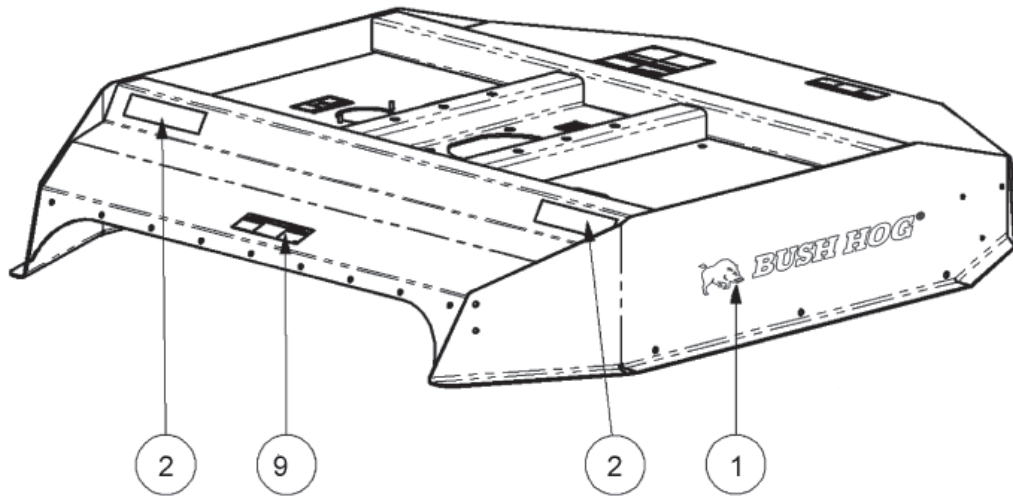
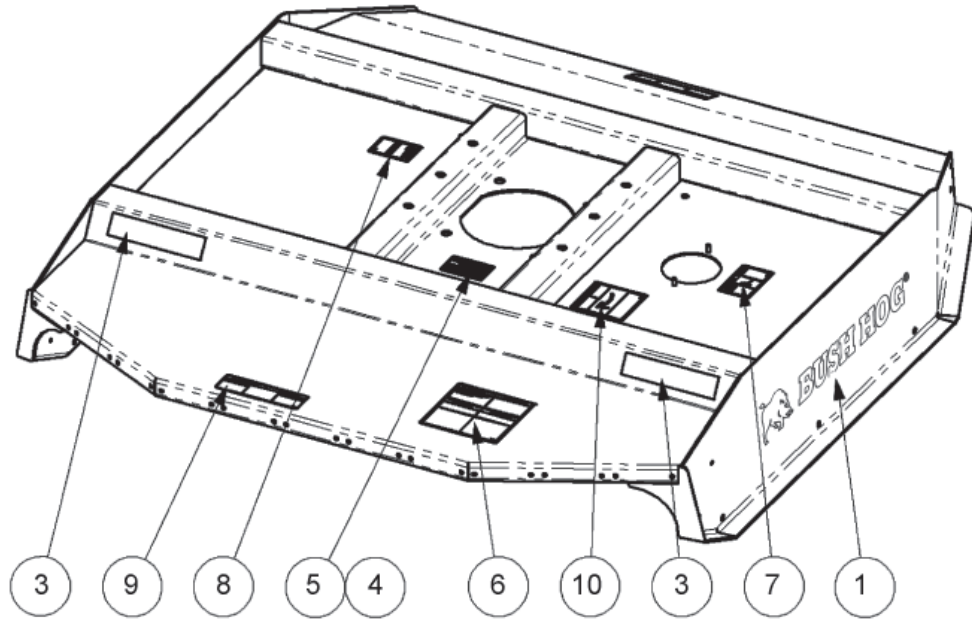
Item No.	Part No.	Description	Qty.
	1039733	Head Casing Module	1
1	22286.05	Front Hood	1
2	22408.07	Skid - LH	1
3	22408.08	Skid - RH	1
4	22415.04	1.2M Rotary Casing	1
5	22421.01	Pin	1
6	41691.06	Pin	1
7	22168.02	Pin Rod End	1
8	9100106	Washer	28
9	9163005	Nut	2
10	9163006	Nut	15
11	9213266	Bolt	2
12	9313065	Screw	17
13	9313076	Screw	4
14	9313106	Screw	2
15	9313055	Screw	1

PIVOT MTG. BRACKET MODULE, 1.5M - ROTARY HEAD



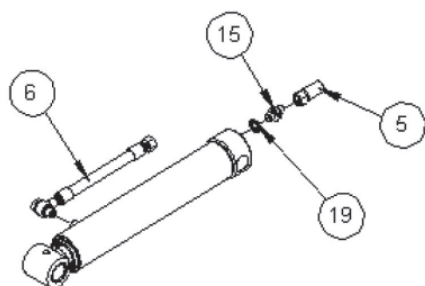
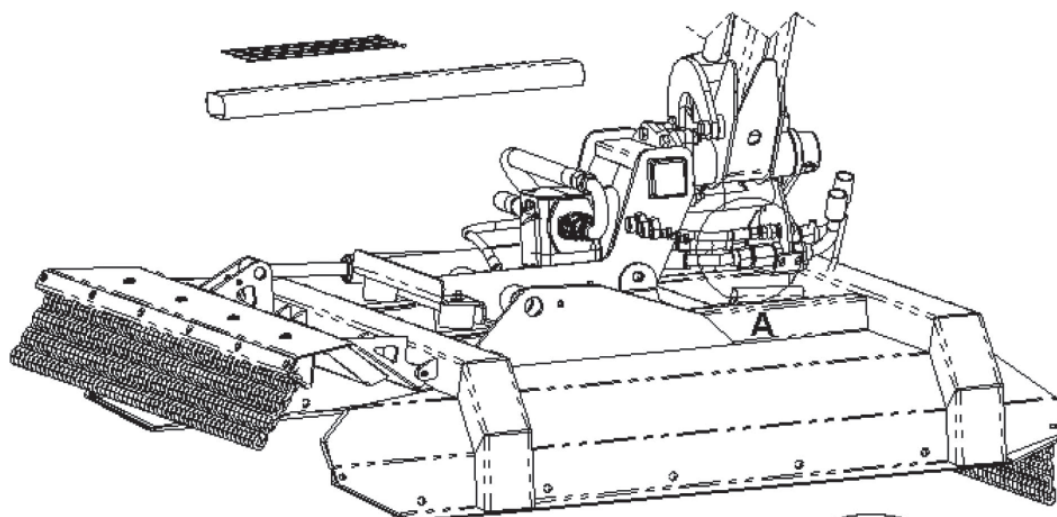
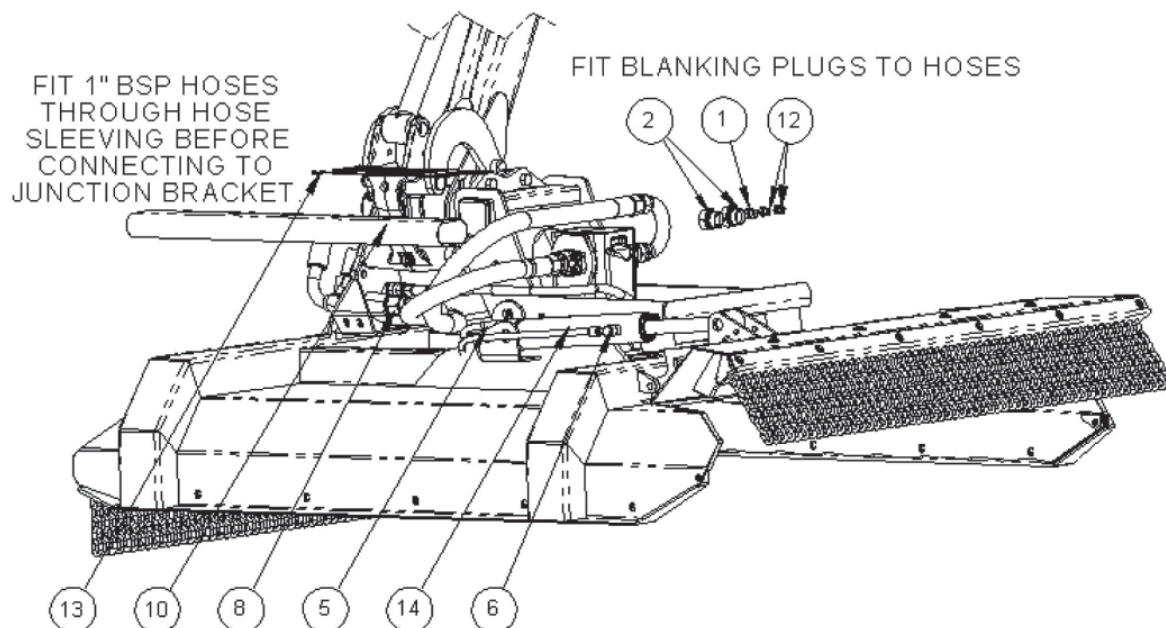
Item No.	Part No.	Description	Qty.
	1039736	Bracket Module Assembly	1
1	22386.08	Pivoting Mtg.	1
2	0901121	Grease Nipple, 1/8" BSP Str.	1
3	1337114	Rubber Buffer Assembly	4
4	21385.01	Bush, 40 x 47 x 40	2
5	8629219	Rotary Shaft Seal ,40 x 52 x 7	2
6	41580.01	Plastic Plug, 75 x 75	2
7	9100105	Flatwasher, M10	4
8	9163005	Nyloc Nut M10	4
9	12.714.75	Bolt, M16 x 1.5P x 75 LG.	4
10	T7942	Nyloc Nut, M16 x 1.5P	4

DECAL KIT - ROTARY HEAD

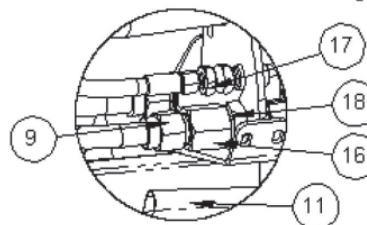


Item No.	Part No.	Description	Qty.
	1039757	Decal Kit	1
1	50083388	Decal Bush Hog Logo	2
2	1458392	Decal Red Reflector	2
3	1458393	Decal Amber Reflector	2
4	7103230	Rivet	4
5	-----	Serial No Plate	1
6	D559	Decal, Genuine Bush Hog Parts	1
7	D1008	Decal, Warning, Blade Bolt	1
8	D621	Decal, Important, Spindle Lubrication	1
9	D626	Decal, Thrown Object Hazard	2
10	D619	Decal, Warning Blade Rotation	1

HYDRAULIC INSTALLATION MODULE - ROTARY HEAD



RAM ADAPTORS DETAIL

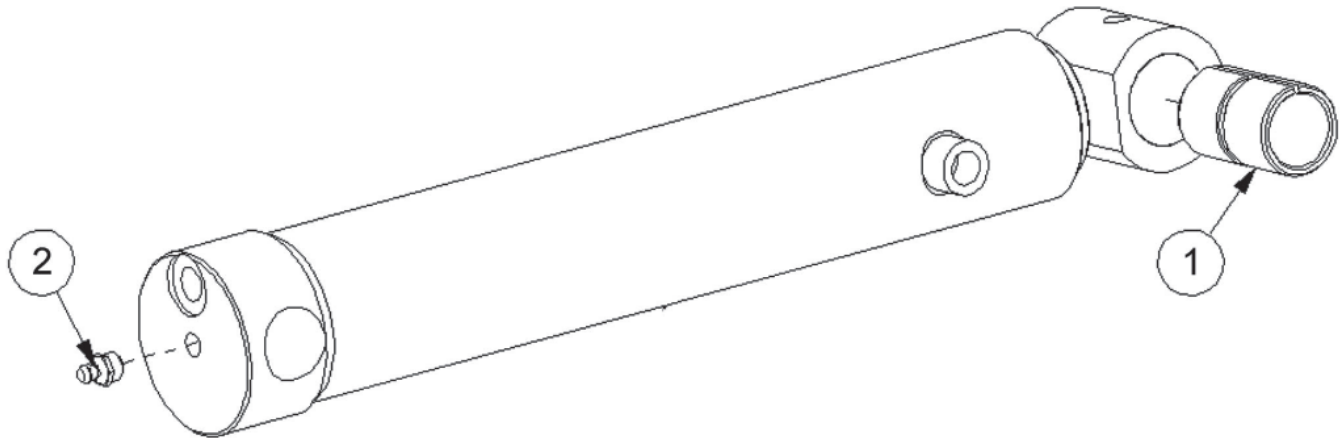


1/4" BSP HOSES RUN IN SLEEVING AS THEY PASS THROUGH THE JUNCTION BRACKET

HYDRAULIC INSTALLATION MODULE - ROTARY HEAD

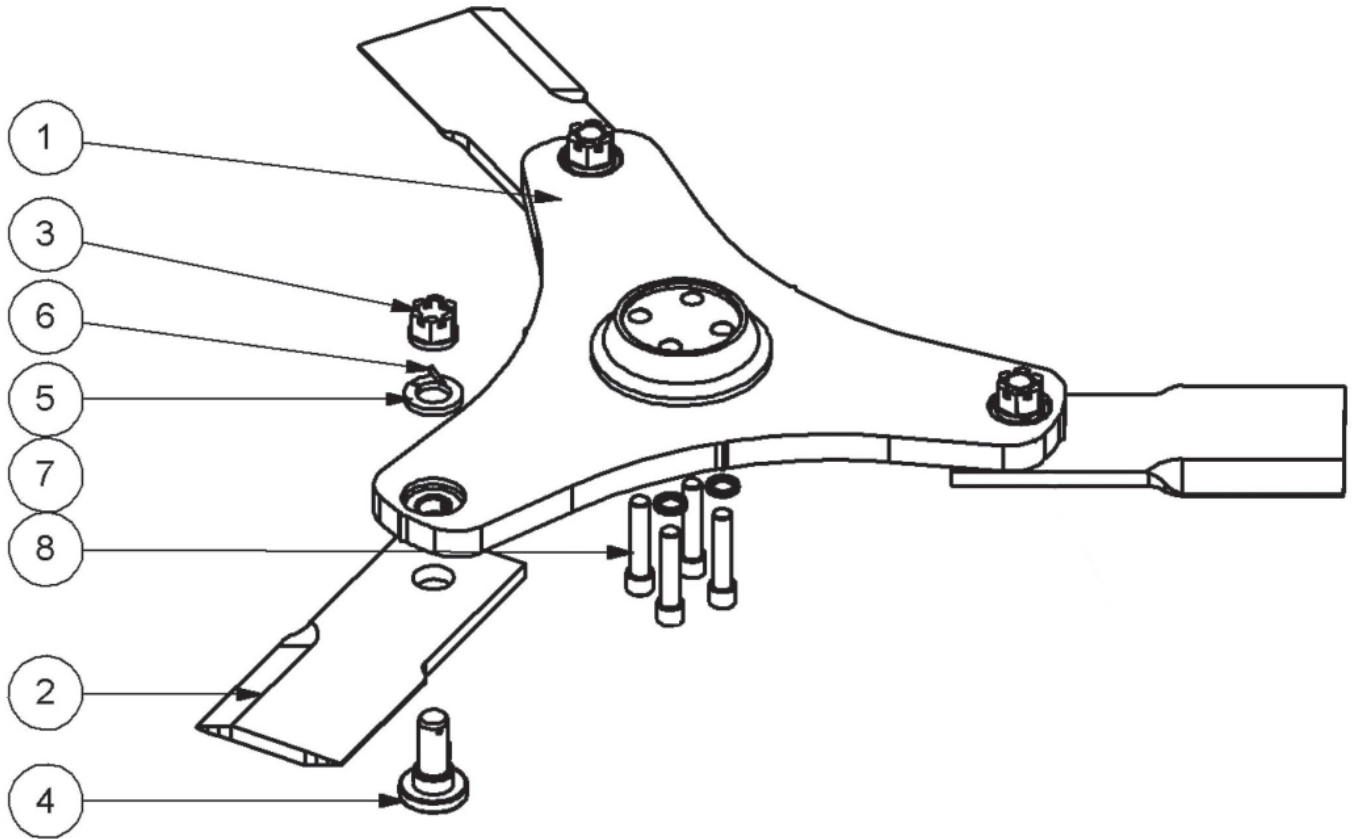
Item No.	Part No.	Description	Qty.
	1039745	Hydraulic Installation Module	1
1	05.433.01	Adaptor	1
2	05.433.03	Adaptor	2
3	10.001.20	Hose	4
4	10.001.73	Hose	2
5	10.001.37	Hose	1
6	24102.40	Hose	1
7	10.004.18	Hose	1
8	10.025.15	Hose	1
9	10.025.22	Hose	1
10	22590.16	Hose Sleeving	1
11	22591.03	Hose Sleeving	1
12	520378	Adaptor	2
13	7196045	Hose Tie	4
14	23693.02	Hydraulic Hood Ram - 50 Bore	1
15	8581169	Adaptor	7
16	8581241	Adaptor	1
17	8581544	Swivel Adaptor	1
18	8650108	Seal	1
19	8650102	Seal	1
20	7196045	Hose Tie	1

HYDRAULIC HOOD RAM, 50 BORE - ROTARY HEAD



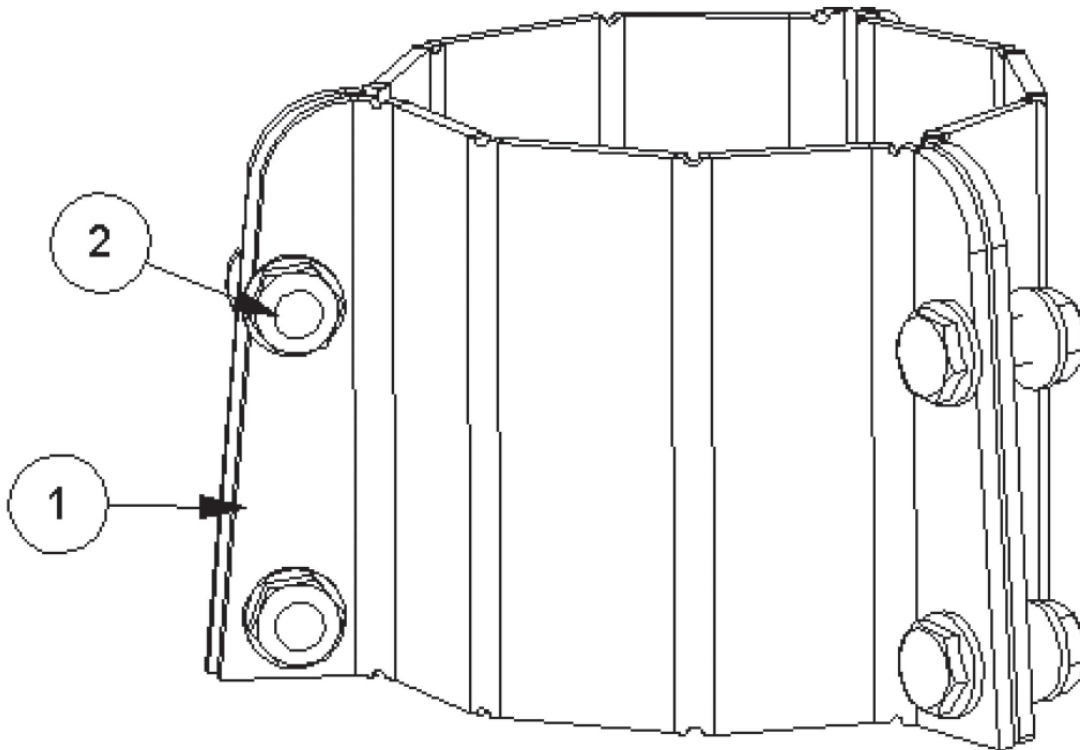
Item No.	Part No.	Description	Qty.
	8699290	Seal Kit (item not shown)	1
1	7105050	Bush	1
2	0901121	Greaser	1

BLADE BAR KIT - ROTARY HEAD



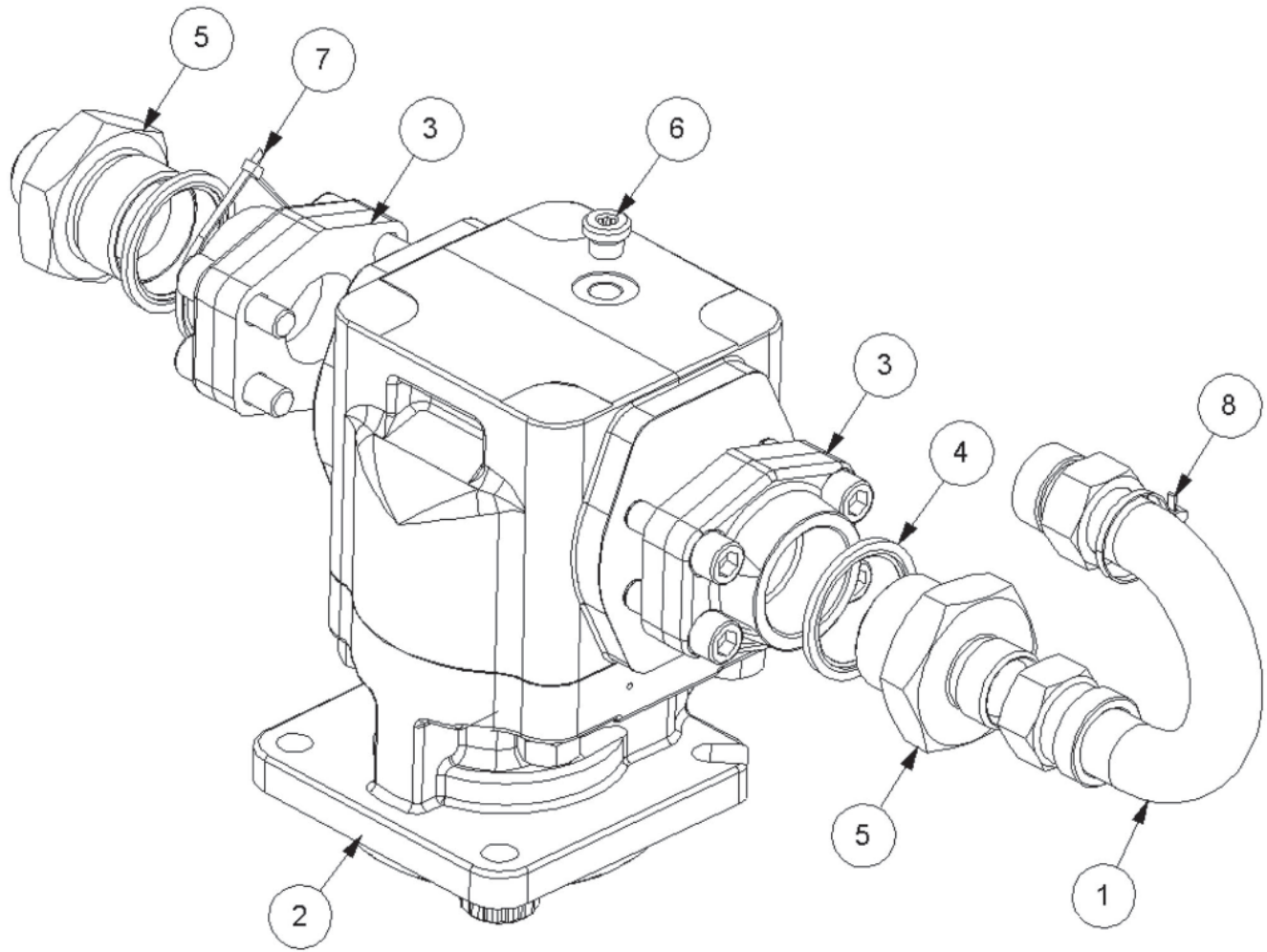
Item No.	Part No.	Description	Qty.
	1039793	Blade Bar Kit	1
1	22402.04	Blade Bar	1
2	02761500	Blades, Matched Set of 2	2
3	00020900	Nut, Flanged, Slotted 1-1/8" NF PL5	3
4	02782900	Blade Bolt, Boom Axe	3
5	02957089	Heavy L/W 1-1/8" YZ Plated	3
6	00023200	Roll Pin, 3/16" x 3-1/4"	3
7	B001020	Washer, Nordlock NL20	4
8	02973438	Cap screw, 3/4" NC x 3-1/4" PL 8	4

SEAL PROTECTION KIT - ROTARY HEAD



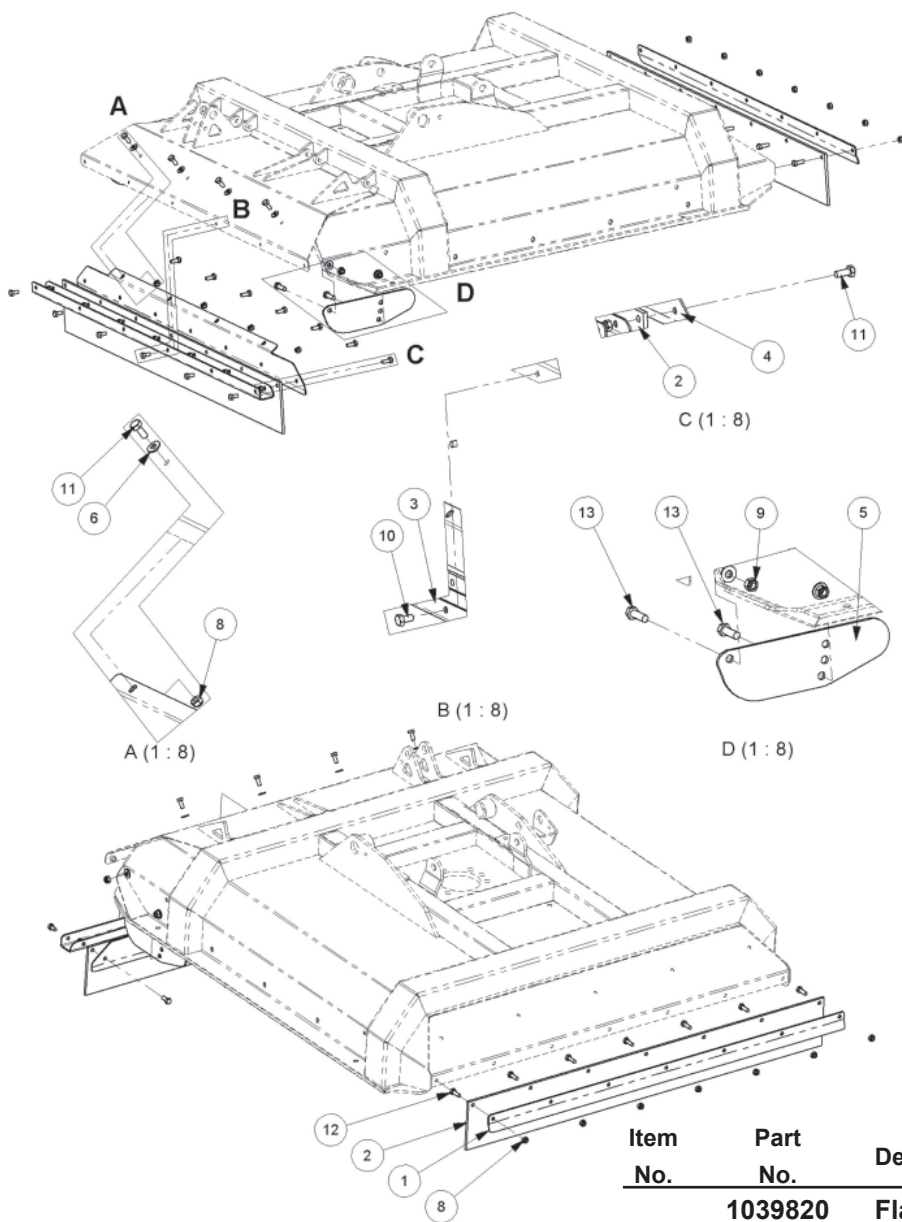
Item No.	Part No.	Description	Qty.
	23330.02	Kit	1
1	23330.03	Pressing	3
2	9413065	Setscrew & Nut, Flanged, M10 x 30	6

MOTOR MODULE - ROTARY HEAD



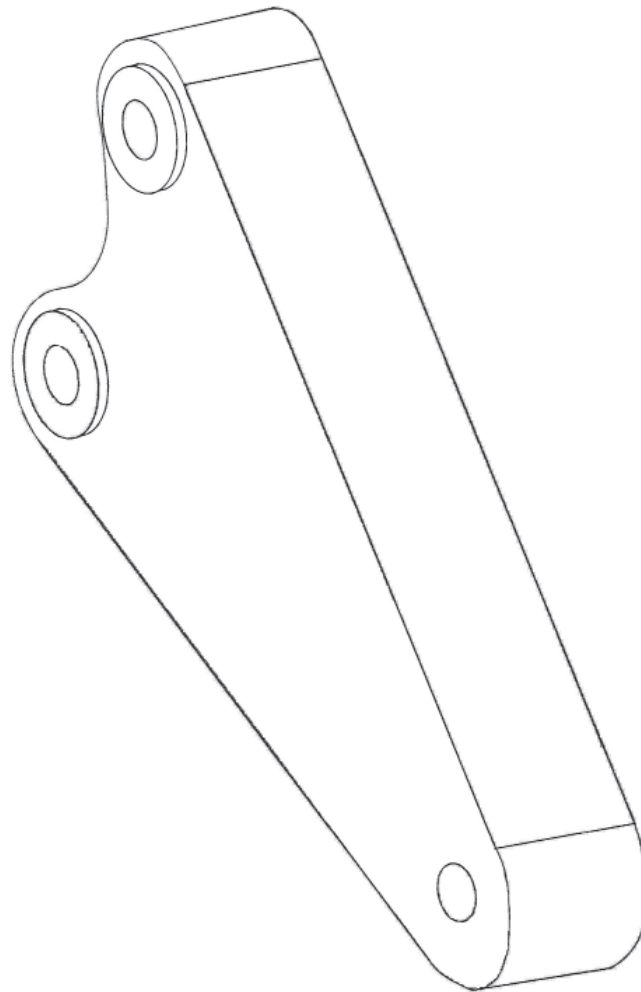
Item No.	Part No.	Description	Qty.
	1039784	Motor Module	1
1	46043.01	Pipe	1
2	8301334	Motor	1
	8699263	Seal Kit	1
	-----	Seal	2
3	8581635	Flange	2
4	8650224	Seal	2
5	8581291	Adaptor	2
6	8581583	Adaptor	1
7	22941.03	Tie	1
8	22941.02	Cable Tie - B	1

FLAP MODULE - 1.2M HD - ROTARY HEAD



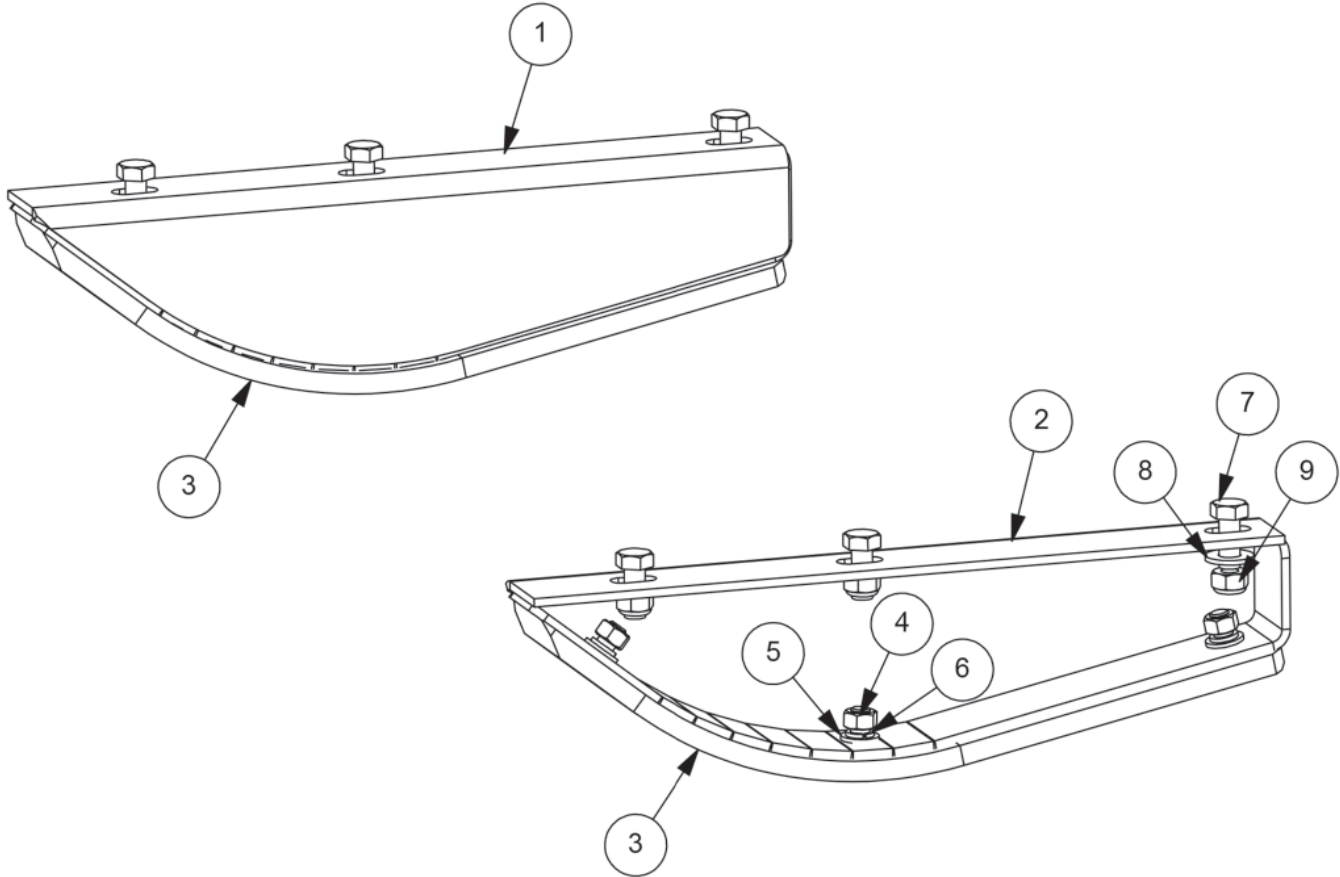
Item No.	Part No.	Description	Qty.
	1039820	Flap Module, 1.2M	1
1	22436.02	Rear Flap Clamp Strip	1
2	22318.02	Front - Rear Flap	2
3	22321.08	Front Flap Mtg., Front Section	1
4	22321.09	Front Flap Mtg., Rear Section	1
5	22435.01	Front Guard Plate	2
6	9100105	Flatwasher, M10	4
7	9100106	Washer, 12M Form A. BZP	8
8	9163005	Nyloc Nut, M10	18
9	9163006	Nyloc Nut, M12	4
10	9313045	Setscrew, M10 x 20	6
11	9313055	HexB Metric, 10- P1.50 - 25MM PL5	11
12	9313065	Setscrew, M10 x 20	7
13	9313086	Hexb Metric 12- P1.75 - 40MM PL5	4

OPTIONS- STABILIZER TONGUE



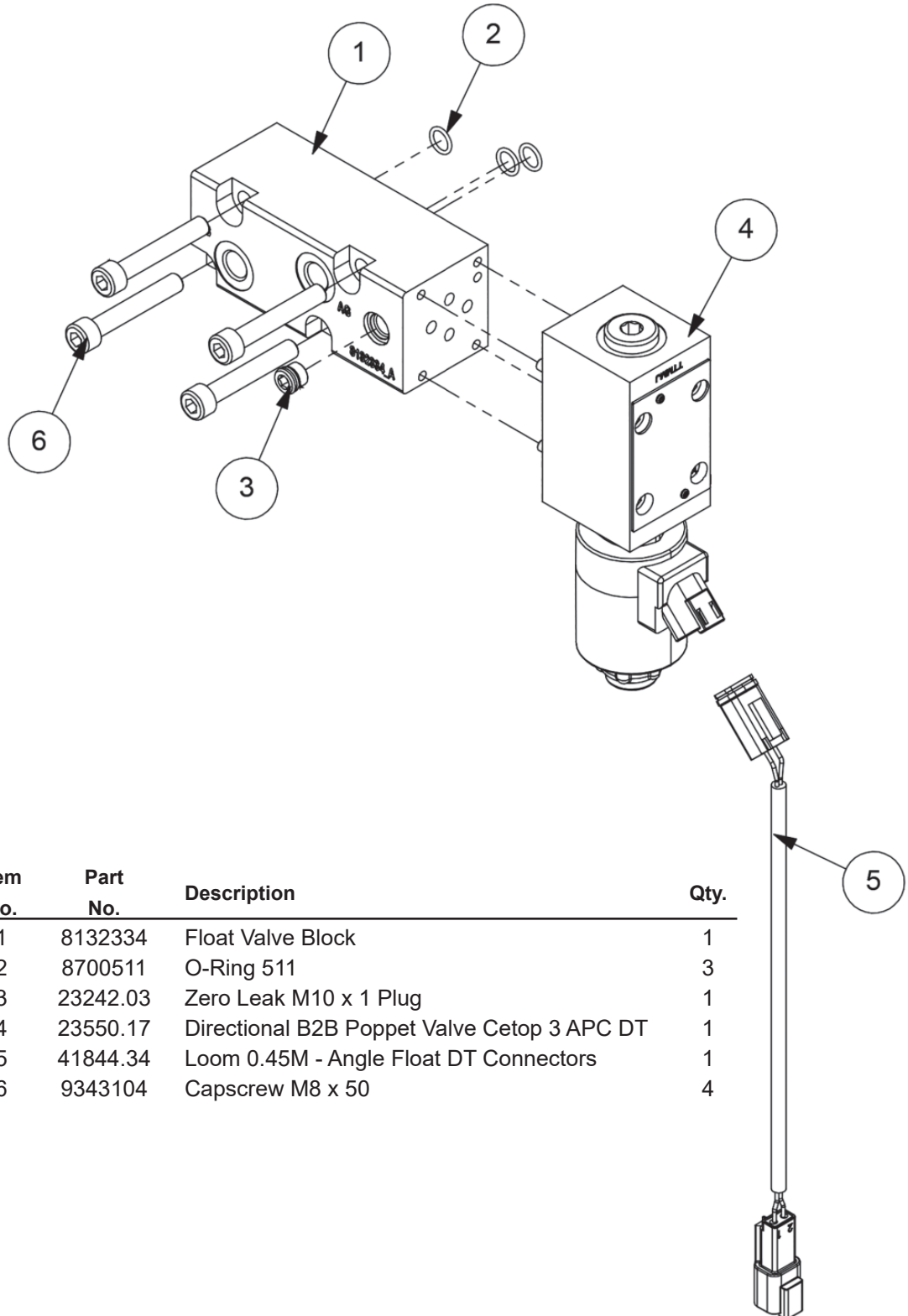
Item No.	Part No.	Description	Qty.
1	7499501	Tongue, Standard Cat. 2/3	1
2	7499500	Tongue, Special Cat. 2/3 Narrow	1
3	7499502	Tongue, Special Cat. 2 Long	1
4	7499503	Tongue, Special Cat. 3 Long	1
5	7499504	Tongue, Special Cat. 1	1
6	7499505	Tongue, Special Cat. 2	1 (for Case TX Tractors)
7	7499506C	Tongue, Special Cat. 3	1
8	7499507	Tongue, Special Cat. 2 Narrow	1
9	7499508	Tongue, Special	1 (for some Ford Tractors)
10	7499511	Tongue, Special Cat. 1	1
11	7499512	Tongue, Special	1
12	7499513	Tongue, Special	1
13	7499514	Tongue, Special Cat. 4	1
14	7499515	Tongue, Special Cat. 4 Long	1
15	7499510	Tongue, Special Cat. 2	1

SKID KIT (MULTICUT FLAILHEAD) OPTIONAL



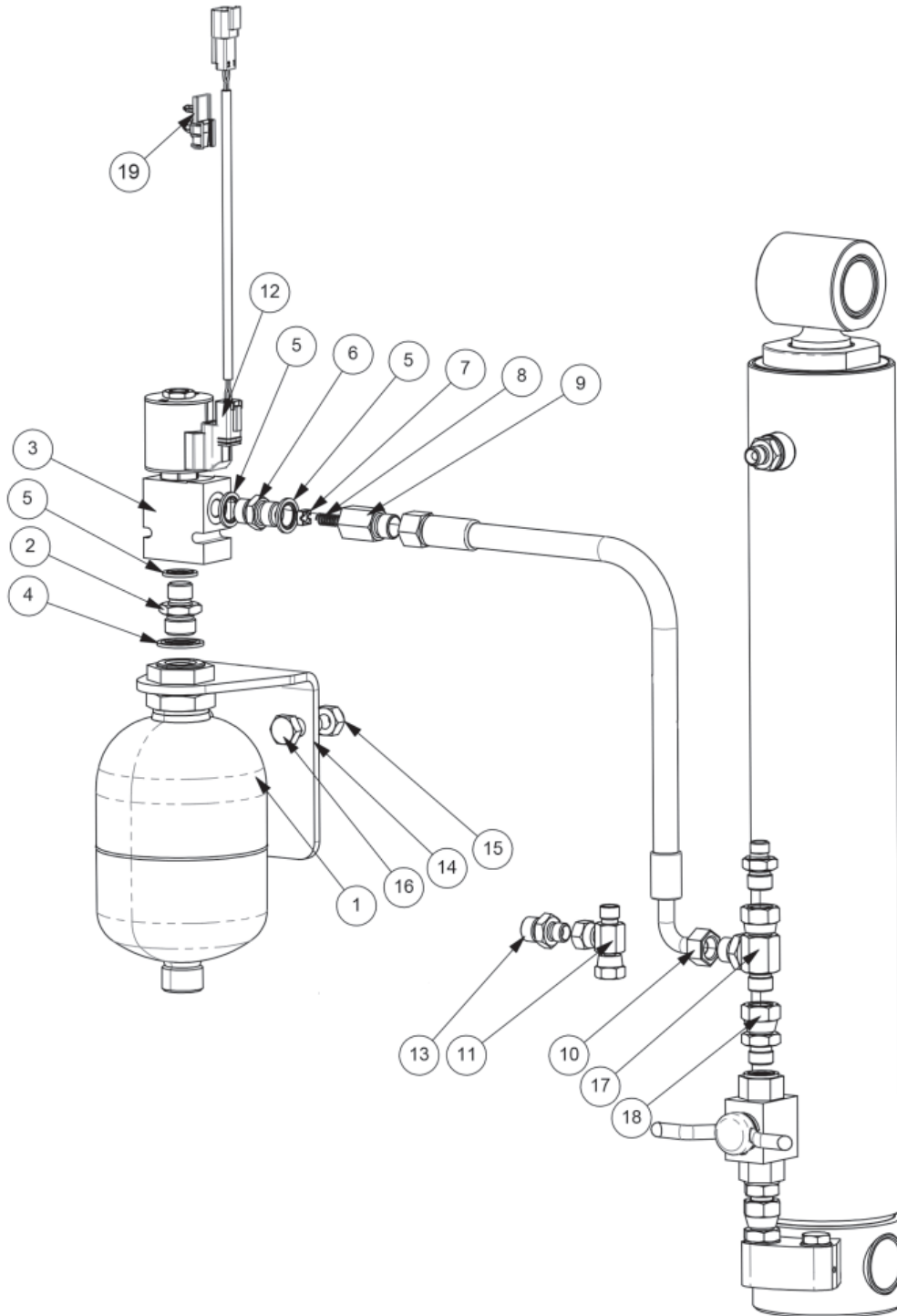
Item No.	Part No.	Description	Qty.
1	7290389	WA Skid, RH	1
2	7290390	WA Skid, LH	1
3	7290391	Replacable Skid Shoe	2
4	6012034	7/16" UNF x 1-3/8" Plough Bolt C/W Nut	6
5	0100104	7/16" Flatwasher	6
6	15819	Lockwasher, 7/16 CP	6
7	44394BH	HHCS M12 x 1.75 x 30 G8.8 ZP	6
8	9100106	Flatwasher, M12	6
9	9163006	Nyloc Nut M12	6

ANGLE FLOAT KIT ELEC VALVE DT OPTIONAL



Item No.	Part No.	Description	Qty.
1	8132334	Float Valve Block	1
2	8700511	O-Ring 511	3
3	23242.03	Zero Leak M10 x 1 Plug	1
4	23550.17	Directional B2B Poppet Valve Cetop 3 APC DT	1
5	41844.34	Loom 0.45M - Angle Float DT Connectors	1
6	9343104	Capscrew M8 x 50	4

LIFT FLOAT KIT - BSP-ELEC OP DT CONNECTOR OPTIONAL



LIFT FLOAT KIT - BSP-ELEC OP DT CONNECTOR OPTIONAL

Item No.	Part No.	Description	Qty.
1	8126044	Accumulator 1L 25 Bar PC	1
2	6000112	Adaptor 3/8 x 1/2" BSP MM	1
3	8130226	SV10-22 Poppet Valve with Body DT - NC	1
4	8650322	Bonded Seal M22	1
5	8650103	Bonded Seal 3/8" BSP	3
6	8581209	3/8" BSP MM Adapter	1
7	8123041	Restrictor Disc 1.15 Red	1
8	8116011	Spring OD .275 x 5/8" LG	1
9	8581346	3/8" BSP Adapter Restrictor Body	1
10	10.004.16	3/8" BSP FS/F90 800MM LG 4K Hose	1
11	8581288	Adaptor Tee 1/4" BSP MFF	1
12	41844.48	Loom 1.3M DT Connectors	1
13	8581115	Adaptor 3/8" x 1/4" BSP MM	1
14	8126318	Bracket Float Kit	1
15	9163006	Nyloc Nut M12	2
16	44394BH	HHCS M12 x 1.75 x 30 G8.8 ZP	2
17	11.068.69	Adapor Tee 3/8" BSP MFM	1
18	8581178	Adaptor 3/8" BSP MF Swivel	1
19	45594.55	Mounting Clip - DT Receptacle	1



BUSH HOG®

2501 Griffin Ave.
Selma, AL. 36703