

BUSH HOG®

2107 MULTIPLE SPINDLE ROTARY MOWER

Revised 07/23

PARTS MANUAL SECTION 131



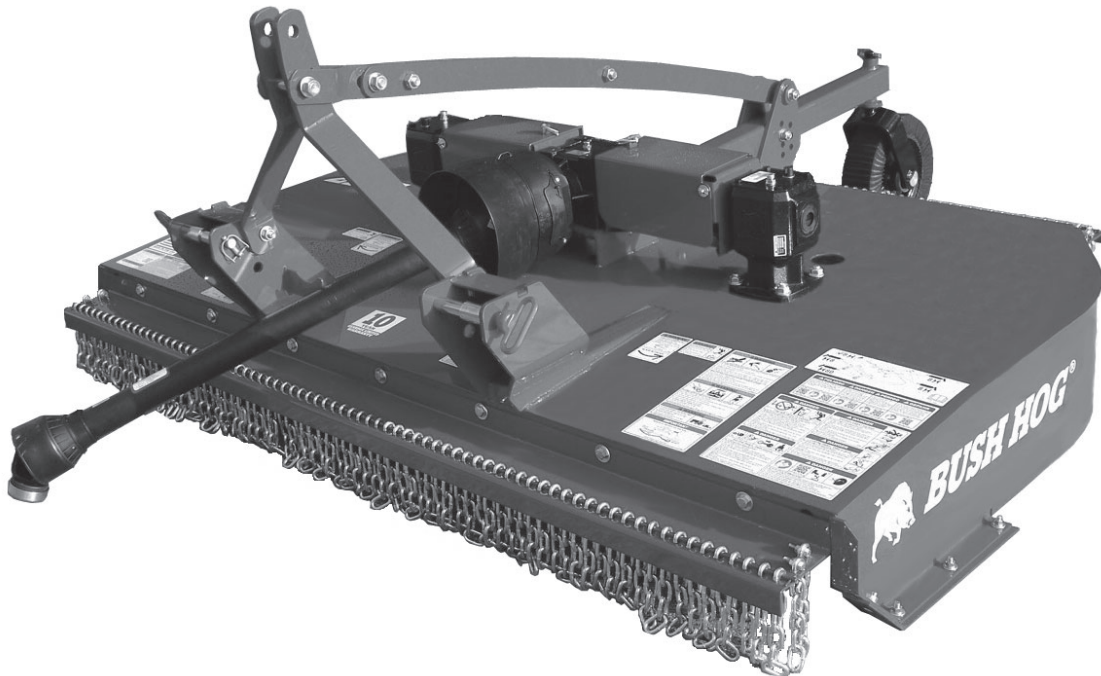
An Operator's Manual was shipped with the equipment. The Operator's Manual is an integral part of the safe operation of this machine and must be maintained with the unit at all times. **READ, UNDERSTAND, and FOLLOW** the Safety and Operation Instructions contained in this manual before operating the equipment. If the Operator's Manual is not with the equipment, contact your dealer or Bush Hog to obtain a copy before operating the equipment.

Safety Video

Important Operating and Safety Instructions are found in the Mower Safety Video that can be instantly accessed on the Internet at: www.algqr.com/bve



www.algqr.com/bve



BUSH HOG®

2501 Griffin Ave.
Selma, AL. 36703
Parts Ordering 1-800-304-2836
www.bushhog.com

ATENCIÓN!

LEA EL INSTRUCTIVO

Si No Lee Ingles, Pida Ayuda a Alguien
Que Si Lo Lea Para Que le Traduzca las
Medidas de Seguridad.



A MEMBER OF THE
ALAMO GROUP
ALWAYS ON THE CUTTING EDGE®

© 2021 Alamo Group Inc.

PARTS ORDERING GUIDE

The following instructions are offered to help eliminate needless delay and error in processing purchase orders for the equipment in this section.

1. The Parts Section is prepared in logical sequence and grouping of parts that belong to the basic machine featured in this manual. Part Numbers and Descriptions are given to help locate the parts and quantities required.
2. The Purchase Order must include the name and address of the person or organization ordering the parts, who should be charged, and if possible, the serial number of the machine for which the parts are ordered.
3. The Purchase Order must clearly list the quantity of each part, the complete and correct part number (be sure to include all periods), and the basic name of the part.
4. The Manufacturer reserves the right to substitute parts where applicable.
5. Some parts are unlisted items which are special production items not normally stocked and are subject to special handling. Request a quotation for such parts before sending a Purchase Order.
6. The Manufacturer reserves the right to change prices without prior notice.



For maximum safety and to guarantee optimum product reliability, always use genuine **BUSH HOG** Parts. The use of inferior replacement parts may cause premature or catastrophic failure which could result in serious injury or death. Direct any questions regarding parts to:

BUSH HOG
2501 Griffin Ave.
Selma, AL. 36703
www.bushhog.com
Contact Us
1-800-304-2836



BUSH HOG®

To the Owner/Operator/Dealer

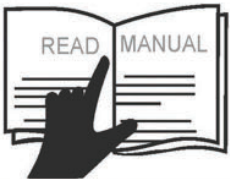







All implements with moving parts are potentially hazardous. There is no substitute for a cautious, safe-minded operator who recognizes the potential hazards and follows reasonable safety practices. The manufacturer has designed this implement to be used with all its safety equipment properly attached to minimize the chance of accidents.

BEFORE YOU START! Read the safety messages on the implement and shown in your manual. Observe the rules of safety and common sense!




DANGER

FAILING TO FOLLOW SAFETY MESSAGES AND OPERATING INSTRUCTION CAN CAUSE SERIOUS BODILY INJURY OR EVEN DEATH TO OPERATOR AND OTHERS IN THE AREA.

<p>1. </p>	<p>2. NO RIDERS. NO CHILDREN OPERATORS. </p>	<p>3. USE SAFETY SHOES, HARD HAT, SAFETY GLASSES, SEAT BELTS ROPS & OPS. </p>	<p>4. BLOCK UP SECURELY BEFORE WORKING UNDER. </p>
<ol style="list-style-type: none"> 1. Study and understand Operator's Manuals, Safety Decals, and Instructional Decals for tractor and implement to prevent misuse, abuse, and accidents. Practice before operating in a confined area or near passersby. <ul style="list-style-type: none"> • Learn how to stop engine suddenly in an emergency. Be alert for passersby and especially children. 2. Allow no children on or near folding mower or tractor. Allow no riders on tractor or implement. Falling off may cause serious injury or death from being run over by tractor or mower or contact with rotating blades. 3. Operate only with tractor having Roll-Over Protective Structure (ROPS) and with seat belt securely fastened to prevent injury and possible death from falling off or tractor overturn. <ul style="list-style-type: none"> • Personal Protective Equipment such as Hard Hat, Safety Glasses, Safety Shoes, & Ear Plugs are recommended. 4. Block up or support raised machine and all lifted components securely before putting hands or feet under or working underneath any lifted component to prevent crushing injury or death from sudden dropping or inadvertent operation of controls. Make certain area is clear before lowering or folding. 5. Before transporting, put Lift Lever in detent or full-lift position. Install Transport Safety Devices securely on folding mowers. Put Booms securely in Transport Rest. <ul style="list-style-type: none"> • Folding and Boom Mowers have raised center of gravity. Slow down when turning and on hillsides. 6. Make certain that SMV sign, warning lights, and reflectors are clearly visible. Follow local traffic codes. 7. Never operate with Cutting Head or Folding Section raised if passersby, bystanders, or traffic are in the area to reduce possibility of injury or death from objects thrown by Blades under Guards or mower structure. 8. Before dismounting, secure implement in transport position or lower to ground. <ul style="list-style-type: none"> • Put tractor in park position or set brake, disengage PTO, stop engine, remove key, and wait until noise of rotation has ceased to prevent crushing by entanglement in rotating parts which could cause injury or death. • Never mount or dismount a moving vehicle. Crushing from runover may cause serious injury or death. 			
<p>5. TRANSPORT SAFELY, LOCK UP. </p>	<p>6. USE SMV, LIGHTS, & REFLECTORS. </p>	<p>7. DO NOT OPERATE WITH CUTTER OR WING RAISED </p>	<p>8. DO NOT MOUNT OR DISMOUNT WHILE MOVING. </p>

02967827



WARNING

Cancer and Reproductive Harm

www.P65Warnings.ca.gov

WARRANTY INFORMATION:

Read and understand the complete Warranty Statement found in this Manual. Fill out the Warranty Registration Form in full and return it to within 30 Days. Make certain the Serial Number of the Machine is recorded on the Warranty Card and on the Warranty Form that you retain.

WARRANTY

LIMITED WARRANTY

Bush Hog warrants to the original purchaser of any new Bush Hog equipment, purchased from an authorized Bush Hog dealer, that the equipment be free from defects in material and workmanship for a period of one (1) year for non-commercial, state and municipalities' use and ninety (90) days for commercial use from date of retail sale. The obligation of Bush Hog to the purchaser under this warranty is limited to the repair or replacement of defective parts.

Replacement or repair parts installed in the equipment covered by this limited warranty are warranted for ninety (90) days from the date of purchase of such part or to the expiration of the applicable new equipment warranty period, whichever occurs later. Warranted parts shall be provided at no cost to the user at an authorized Bush Hog dealer during regular working hours. Bush Hog reserves the right to inspect any equipment or parts which are claimed to have been defective in material or workmanship.

In addition to the standard Limited Warranty shown above, Bush Hog also provides:

A TEN-YEAR (120 months) GEARBOX LIMITED WARRANTY* (6 Years Full Coverage; Parts Only for Years 7 through 10) provided they have been properly maintained† and have not been subjected to abuse or mis-use except as limited below.

*WARRANTY LIMITATIONS - GEARBOX

- A. Gearbox warranty extends to the original purchaser of a Bush Hog Rotary Cutter Only.
- B. Warranty claimant must provide proper product registration and original receipt for purchase.
- C. Bush Hog reserves the right to warrant Gearboxes and components at our discretion based on photographic or video evidence of product failure.
- D. If Bush Hog deems a Gearbox failed due to defects in materials or workmanship, users' Gearboxes may be rebuilt by Bush Hog or replaced by new or rebuilt Gearboxes at the option of Bush Hog.

A ONE-YEAR (12 months) LIMITED WARRANTY** on the DRIVELINE components provided they have been properly maintained† and have not been subjected to abuse or mis-use.

**WARRANTY LIMITATIONS - DRIVELINE

- A. A ONE-YEAR (12 months) DRIVELINE LIMITED WARRANTY applies to SHIELDS except where evidence of wear from contact with other parts on the shield voids this warranty.
- B. Shield Bearings are wearing parts and are not warrantable.
- C. Slip-Clutch Plates are wearing parts and are not warrantable. Evidence of "burning up" Slip-Clutch Plates due to improper adjustment will void warranty on Slip-Clutch Parts.

† NOTE - "*properly maintained*" specifically includes, but is not limited to:

- A) Running Gearboxes with the proper amount of the correct lubricant.
- B) Adjusting Slip-Clutches correctly to provide proper protection for Driveline and Gearbox components.
- C) Proper lubrication of all DRIVELINE components as specified.
- D) Maintaining proper bearing preload on all Gearbox shafts.

WARRANTY

DISCLAIMER OF IMPLIED WARRANTIES & CONSEQUENTIAL DAMAGES

Bush Hog's obligation under this limited warranty, to the extent allowed by law, is in lieu of all warranties, implied or expressed, INCLUDING IMPLIED WARRANTIES OF MERCHANTABILITY AND FITNESS FOR A PARTICULAR PURPOSE and any liability for incidental and consequential damages with respect to the sale or use of the items warranted. Such incidental and consequential damages shall include but not be limited to: transportation charges other than normal freight charges; cost of installation other than cost approved by Bush Hog; duty; taxes; charges for normal service or adjustment; loss of crops or any other loss of income; rental of substitute equipment, expenses due to loss, damage, detention or delay in the delivery of equipment or parts resulting from acts beyond the control of Bush Hog.

THIS LIMITED WARRANTY SHALL NOT APPLY:

1. To vendor items which carry their own warranties.
2. If the unit has been subjected to misapplication, abuse, misuse, negligence, fire or other accident.
3. If parts not made or supplied by Bush Hog have been used in connection with the unit, if, in the sole judgment of Bush Hog such use affects its performance, stability or reliability.
4. If the unit has been altered or repaired outside of an authorized Bush Hog dealership in a manner which, in the sole judgment of Bush Hog, affects its performance, stability or reliability.
5. To normal maintenance service and normal replacement items such as gearbox lubricant, hydraulic fluid, worn blades, or to normal deterioration of such things as belts and exterior finish due to use or exposure.
6. To expendable or wear items such as teeth, chains, sprockets, belts, springs and any other items that in the company's sole judgment is a wear item.

IN ORDER FOR WARRANTIES TO BE PROCESSED, PRODUCT WARRANTY REGISTRATION MUST BE FILED WITH BUSH HOG THROUGH THE SELLING DEALER.

Retain original purchase receipt and record the model number, serial number and date of purchase. This information will be helpful to your dealer if parts or services are required.

MODEL NUMBER _____

SERIAL NUMBER _____

DATE OF PURCHASE _____

NO EMPLOYEE OR REPRESENTATIVE OF BUSH HOG IS AUTHORIZED TO CHANGE THIS LIMITED WARRANTY IN ANY WAY OR GRANT ANY OTHER WARRANTY UNLESS SUCH CHANGE IS MADE IN WRITING AND SIGNED BY BUSH HOG'S SERVICE MANAGER, 2501 GRIFFIN AVE., SELMA, AL. 36703

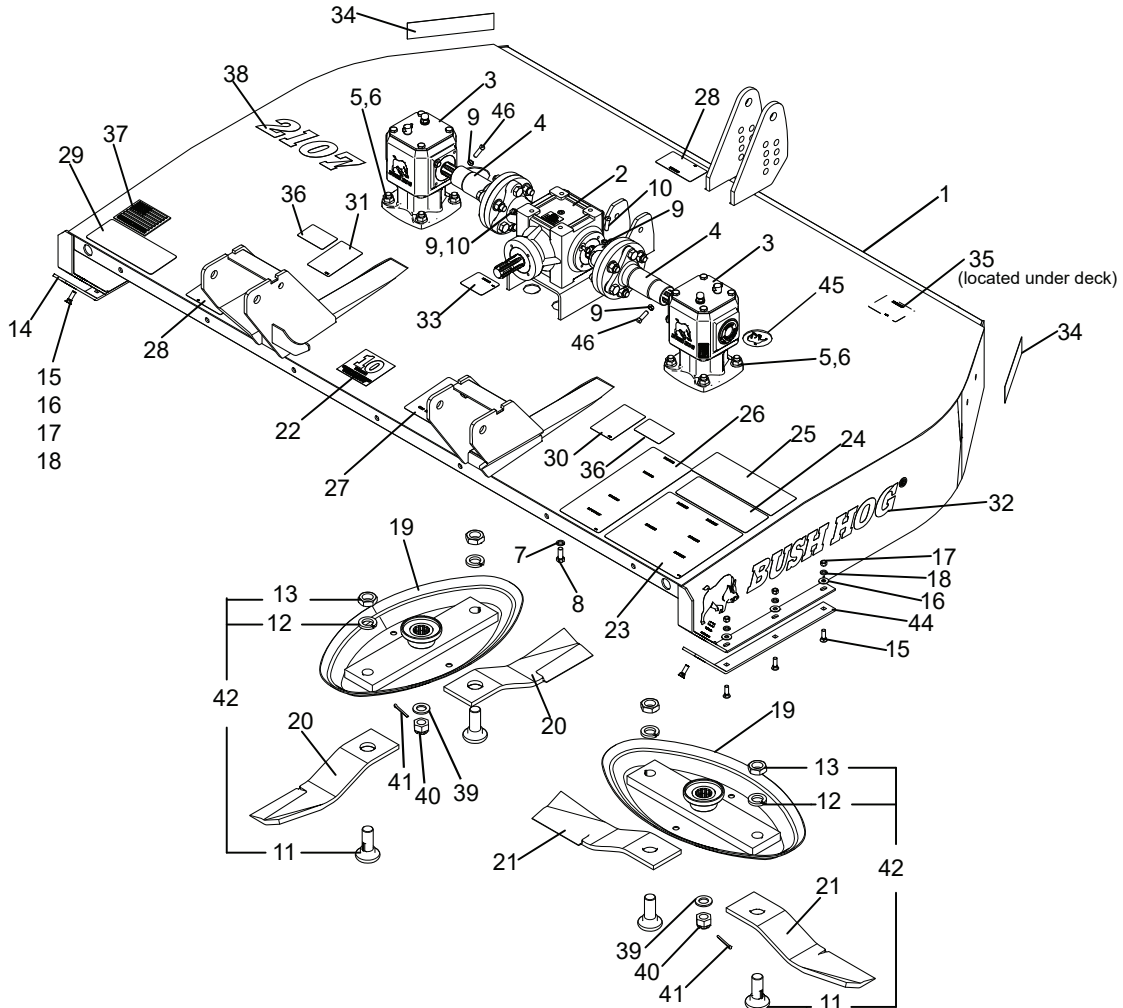
TABLE OF CONTENTS

2107 SERIES

ROTARY CUTTER

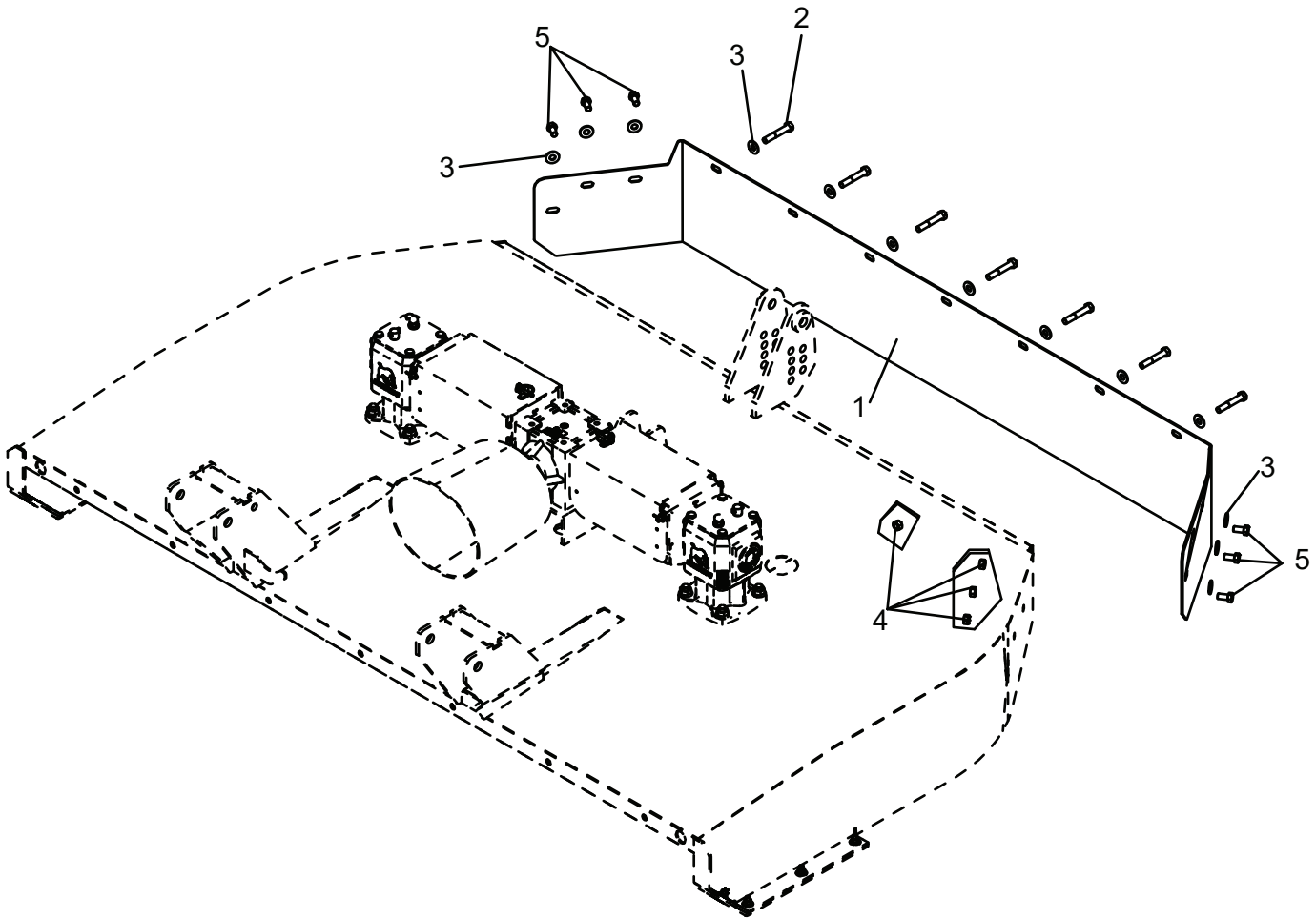
Base Frame Assembly.....	131-1-1
Rear Band	131-1-2
Front and Rear Chains.....	131-1-3
Driveline Shielding.....	131-1-4
Gearbox Assembly, Center Transfer.....	131-2-1
Gearbox Assembly, Outboard.....	131-2-2
Driveline Assembly w/Clutch.....	131-3-1
Cross Shaft Assembly.....	131-3-2 & 131-3-3
Hitch Assembly.....	131-4-1
Single Tailwheel and Related Parts.....	131-5-1
Dual Tailwheel and Related Parts.....	131-5-2

BASE FRAME ASSEMBLY 2107 ROTARY CUTTER



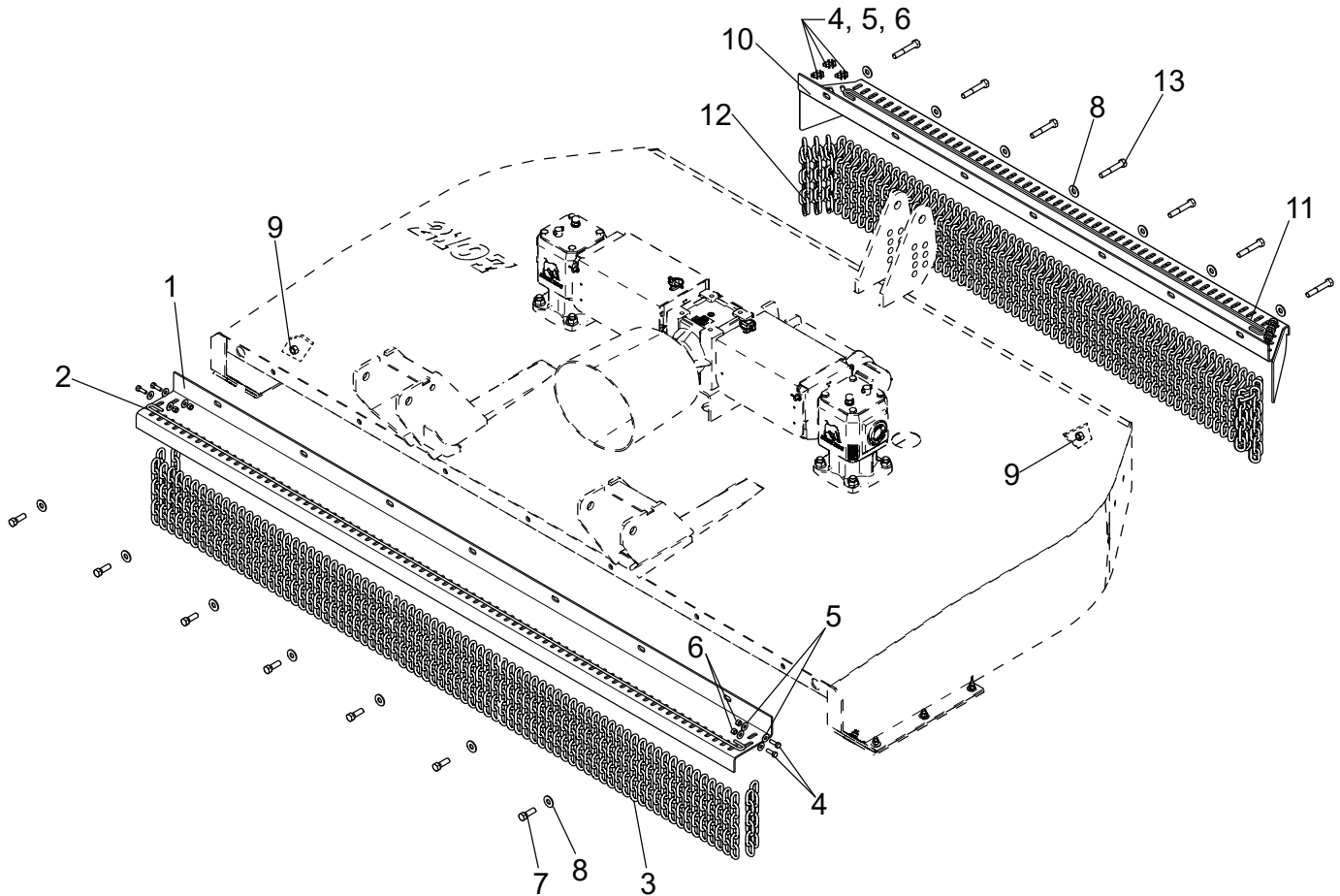
Item No.	Part No.	Description	Qty.	Item No.	Part No.	Description	Qty.
1	50082480	Deck Weldment w/Decals	1	23	D549	Decal, Danger/Operation	1
	50082482	Decal Kit (items 23-26, 38, & 43)	1	24	D813	Decal, Danger, Multilingual	1
2	50082414	Transfer Gearbox Asst, (1:1.46)	1	25	D581	Decal, Lubrication Chart	1
3	00791028BH	Gearbox Assy. EZ 1:1.69, 1-3/8 6-Spl.	2	26	D553	Decal, Warning	1
4	50082922	Cross Shaft D'line, 1-3/8" Z6 x 1-3/8"	2	27	D547	Decal, Danger	1
5	20947	Capscrew, 5/8" x 2" Gr. 5	8	28	D614	Decal, Danger (Thrown Objects)	2
6	20414	Locknut, 5/8" Gr. G Flanged	8	29	D559	Decal, Genuine Bush Hog Parts	1
7	44200BH	Lockwasher, M12 ZP	4	30	D551	Decal, Blade Rotation CCW	1
8	44394BH	Hex Head Capscrew M12 x 1.7 x 30 G8.8	4	31	D552	Decal, Blade Rotation CW	1
9	10151200	Jam Nut, 3/8"	8	32	50080370	Decal, Bush Hog Reflective 4.52" x 29.70"	2
10	15112BH	Setscrew SQ HD Cup PT 3/8" x 1-1/4"	4	33	D546	Decal, Danger, Guard Missing	1
11	7919BH	Blade Bolt	4	34	50031214	Reflector, Red, 2" x 9"	2
12	20322	Lockwasher, 1-1/8"	4	35	D454	Decal, Warning	1
13	252BH	Jamnut, 1-1/8" NF	4	36	D608	Decal, Warning, Blade Timing - 2 Spindles	2
14	50082501	Skid, Bolt On RH	1	37	50074259	Decal, Made in USA	1
15	3161212	#3 HD Plow Bolt, 3/8" x 1-1/4" Gr. 5	8	38	50082467	Decal, Model 2107 Reflective	1
16	15915BH	Lockwasher, 3/8" ZP	8	39	00778246	Washer, Hardened Flat 25 x 44 x 4	2
17	8151200	Hex Nut, 3/8" CP	8	40	00754777	Nut, Castle M24 x 2.0	2
18	15812	Locknut, 3/8" CP	8	41	70497	Cotter Pin, M5 x 50	2
19	50072536	Pan Weldment, EZ40, 5'	2	42	63607	Blade Bolt Kit (2 Bolts, Nuts & Lockwashers)	2
20	67743	Blade, CW Uplift	2	43	87340	Decal, Important (item not shown)	1
21	67744	Blade, CCW Uplift	2	44	50083385	Skid, Bolt On, LH	1
22	50081789	Decal, 10 Year Gearbox Warranty	1	45	50083384	Blade Bolt Access Cap	2
				46	181412061	Setscrew, SQ HD 3/8" x 3/4" SAE	4

REAR BAND 2107 ROTARY CUTTER



Item No.	Part No.	Description	Qty.
1	50082478	Rear Band	1
2	20864	Hex Head Capscrew, 1/2" x 3" G5 ZP	7
3	15916	Flatwasher, 1/2" ZP	13
4	9161600	Locknut, 1/2" Grc. CP	13
5	20054	Hex Head Capscrew, 1/2" x 1" G5 ZP	6

FRONT & REAR CHAINS 2107 ROTARY CUTTER



Item No.	Part No.	Description	Qty.	Item No.	Part No.	Description	Qty.
	50082471	Front Chain Assy. (Single Row)	1	8	15916	Flatwasher, 1/2" ZP	14
	50082476	Front Chain Assy. (Double Row)	1	9	9161600	Locknut, 1/2" GRC CP	14
1	50082468	Front Chain Bracket	1		50082507	Rear Chain Assy (Single Row)	1
2	50083426	Rod, Chain	1		50082508	Rear Chain Assy (Double Row)	1
3	50017211	Chain, 6 Link (Single Row)	80	10	50082506	Rear Chain Weldment	1
	50017213	Chain, 11 Link (Double Row)	80	11	50083428	Rod Chain	1
4	45011BH	Hex Head Capscrew, 5/16" x 1" G5	10	12	50017212	Chain, 7 Link Plated (Single Row)	61
5	15907BH	Flatwasher, 5/16" ZP	20		82546	Chain, 13 Link (Double Row)	61
6	9161000	Locknut, 5/16" CP	10	13	20864	Hex Head Capscrew, 1/2" x 3" G5 ZP	7
7	15093	Hex Head Capscrew, 1/2" x 1-1/2" G5 ZP	7				

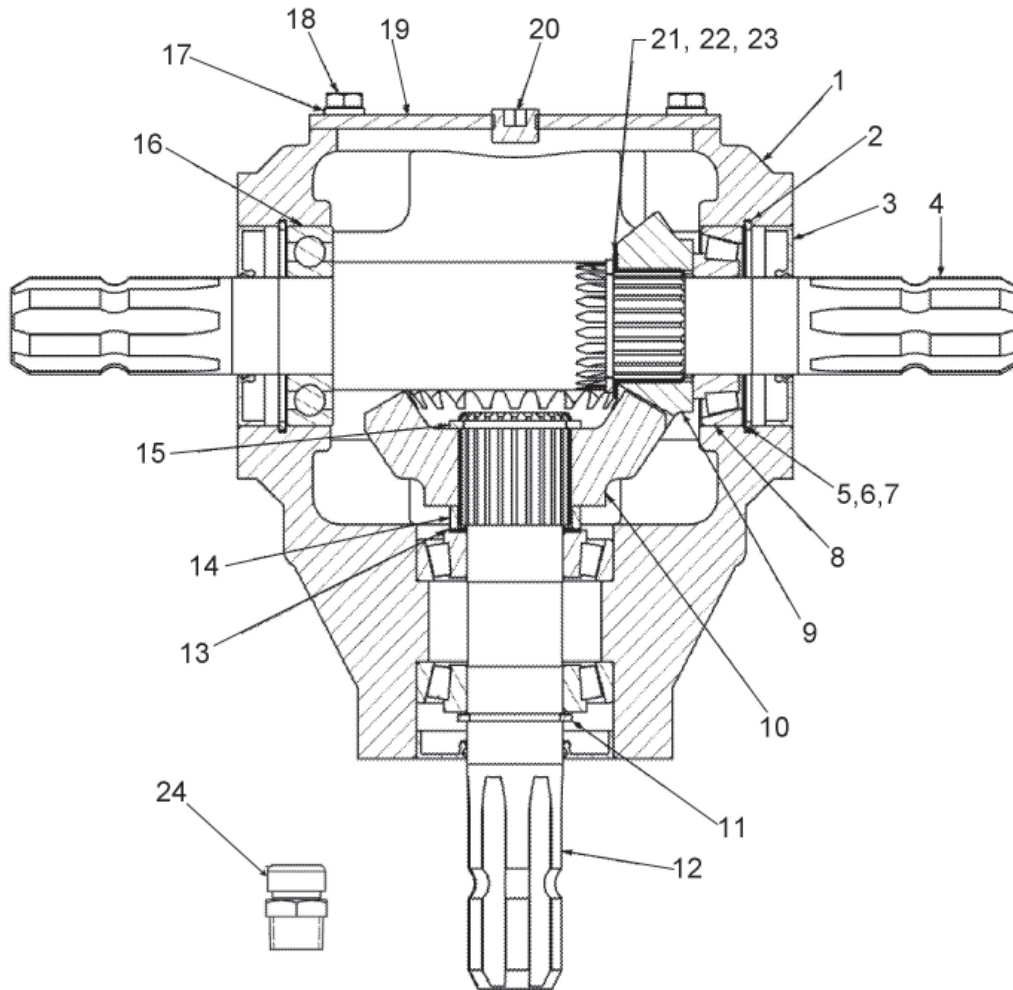
DRIVELINE SHIELDING 2107 ROTARY CUTTER

**81592
Input Shield**

**50075573
Locking Shield Assy.,
Extended**

Item No.	Part No.	Description	Qty.
1	15907BH	Flatwasher, 5/16" ZP	8
2	90560	HHCS, M8 x 1.25 x 15 G8.8 w/Patch	12
3	20312	Lynch Pin	2
4	50029752	Hinge Pin	2
5	15830	Flatwasher, 3/8" SAE ZP	4
6	15662	Cotter Pin, 1/8" x 1" ZP	4
7	20568	Flatwasher, 5/16" SAE ZP	4
8	45011BH	Hex Head Capscrew, 5/16" x 1" G5	2
9	15808	Lockwasher, 5/16" CP	2
10	15528	Hex Nut, 5/16" CP	2
11	50082481	Bottom Shield w/Decals	2
12	50082459	Center Shield Bracket	2
13	50082461	Cross Shaft Shield	2
14	81592	Input Shield	1
15	50075573	Locking Shield Assy., Extended	1
15	D546	Decal, Danger, Guard Missing	2
16	50035829	Owners Manual Tube	1
17	50074750	Rivet, 3/16" Pop-Grip .500	3
18	50075575	Turn Fastener, 1/4"	1
19	45311BH	Lockwasher, M8	4
20	44216	Flatwasher, M8 ZP	4

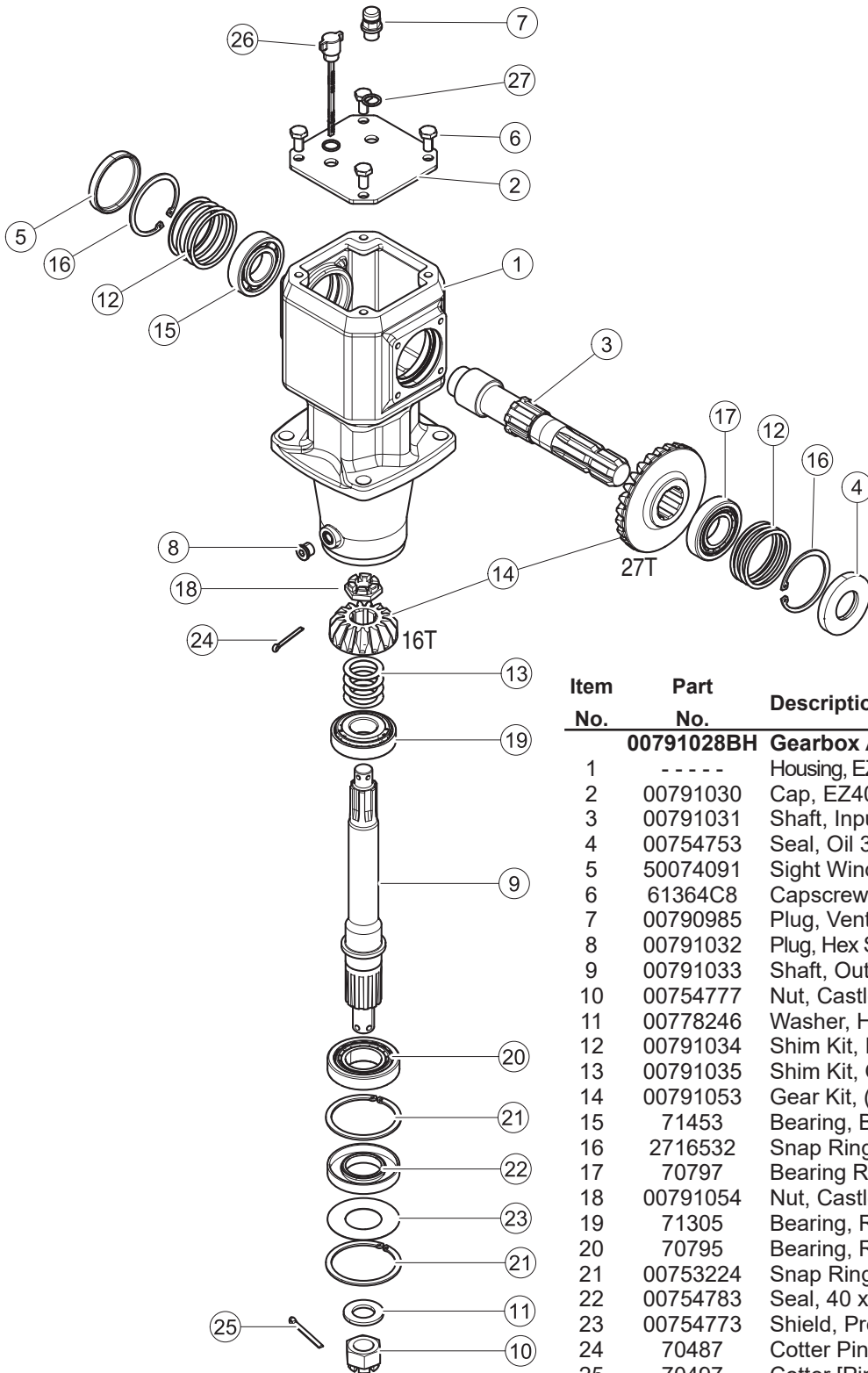
CENTER TRANSFER GEARBOX ASSEMBLY 2107 ROTARY CUTTER



Item No.	Part No.	Description	*Qty.	Item No.	Part No.	Description	Qty.
	50082414	Transfer Gearbox Assy., (1:1.46)	1	13	F7502875	Shim Kit	*
1	-----	Housing	1	14	50082995	Spacer, Ø41.5 x Ø47.5 x 8.3	1
2	70110	Internal Retaining Ring, Ø72	2	15	70250	Shaft, Retaining Ring Ø40 x 2.5	2
3	70108	Oil Seal 35 x 72 x 10	3	16	70229	Ball Bearing, 6207 (35 x 72 x 17)	1
4	50082988	BD9 Through Shaft	1	17	44311BH	Lockwasher, M8 Helical Spring	4
5	50082989	Shim, Ø62 x Ø72 x 0.25	*	18	00751693	Hex Head Capscrew, M8 x 1.25 x 16	4
6	50082990	Shim, Ø62 x Ø72 x 0.5	*	19	50082997	BD9 Inspection Cover	1
7	50082991	Shim, Ø62 x Ø72 x 1.0	*	20	70292	Oil Fill Plug 3/8"-18 NPT	3
8	70797	Bearing, Tapered 30207	3	21	50082998	Shim, Ø42.25 x Ø51.75 x 0.25	*
9	50082992	BD9 15 Tooth 1:1.46 Ration Pinion	1	22	50082999	Shim, Ø42.25 x Ø51.75 x 0.5	*
10	50082993	BD9 22 Tooth 1:1.46 Ration Gear	1	23	50083000	Shim, Ø42.25 x Ø51.75 x 1.0	*
11	70841BH	Shaft Retaining Ring Ø35 x 2.5	1	24	50069166	Vented Plug, 3/8"-18 NPT	1
12	50082994	BD9 Input Shaft	1				

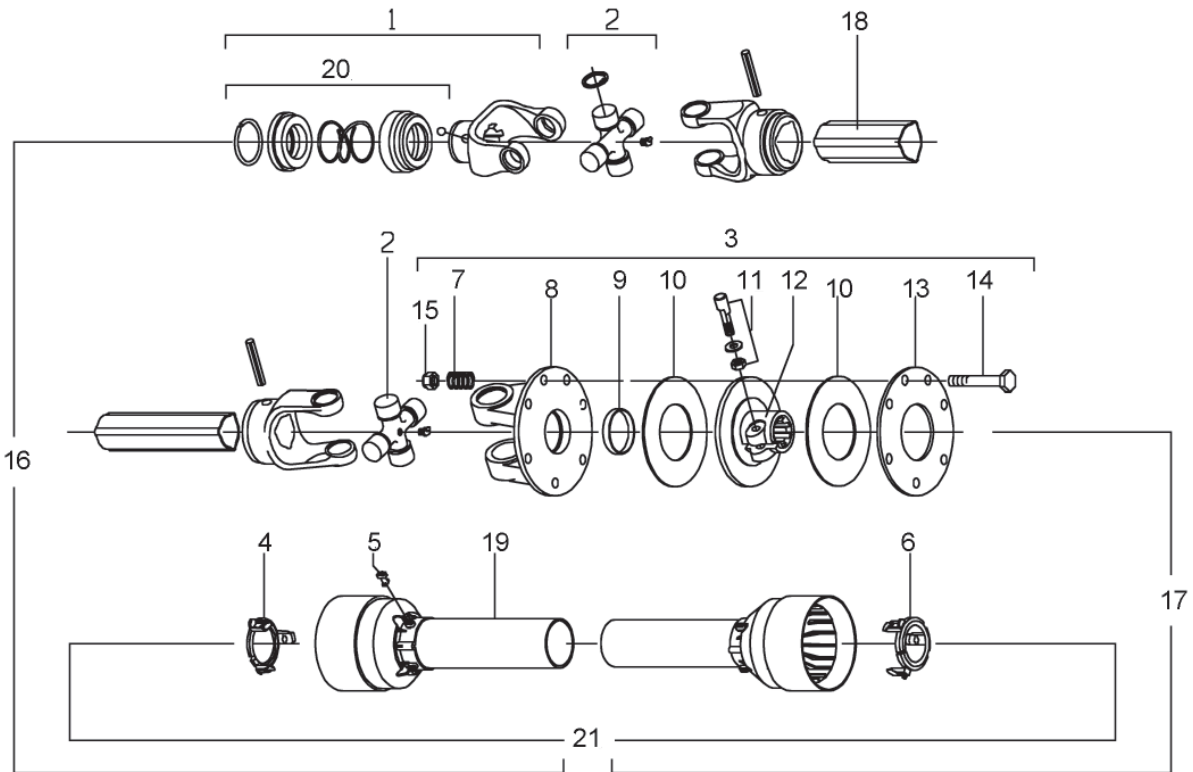
*As Required

OUTBOARD GEARBOX ASSEMBLY 2107 ROTARY CUTTER



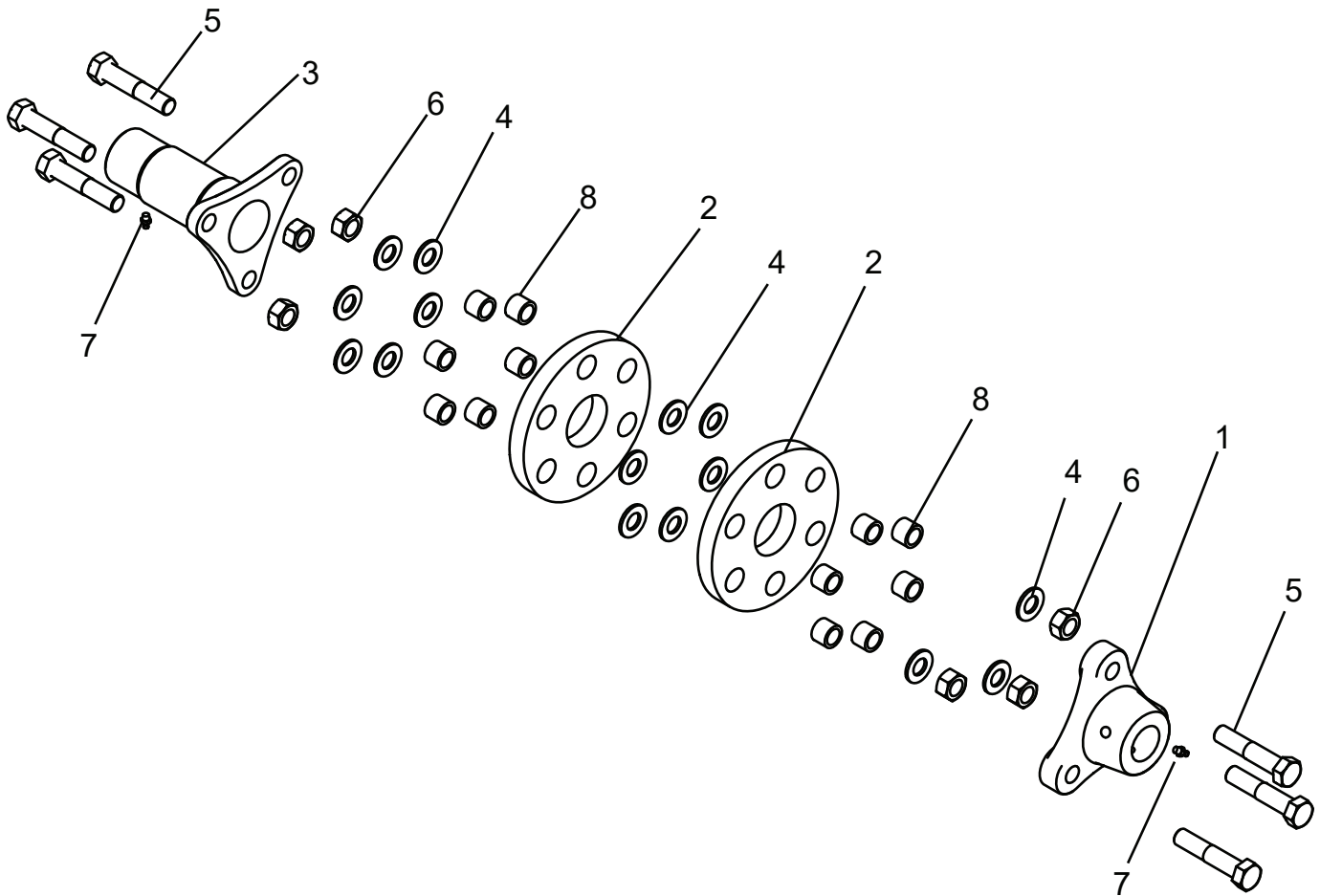
Item No.	Part No.	Description	Qty.
	00791028BH	Gearbox Assembly	1
1	-----	Housing, EZ40 Gearbox	1
2	00791030	Cap, EZ40 Gearbox	1
3	00791031	Shaft, Input EZ40 Gearbox	1
4	00754753	Seal, Oil 35 x 72 x 10	1
5	50074091	Sight Window	1
6	61364C8	Capscrew, M10-1.5 x 16 Gr. 8.8	4
7	00790985	Plug, Vent M16-1.5	1
8	00791032	Plug, Hex Socket HD M6	1
9	00791033	Shaft, Output EZ40 Gearbox	1
10	00754777	Nut, Castle M24 x 2.0	1
11	00778246	Washer, Hardened M25 x 44 x 4	1
12	00791034	Shim Kit, Input EZ40	2
13	00791035	Shim Kit, Output EZ4	1
14	00791053	Gear Kit, (16T & 27T Gears)	1
15	71453	Bearing, Ball (35 x 72 x 17)	1
16	2716532	Snap Ring (72 x 75 x 2.5)	2
17	70797	Bearing Roller, (35 x 72 x 18.25)	1
18	00791054	Nut, Castle M20 x 1.5	1
19	71305	Bearing, Roller (30 x 72 x 20.75)	1
20	70795	Bearing, Roller (40 x 80 x 19.75)	1
21	00753224	Snap Ring	2
22	00754783	Seal, 40 x 80 x 12	1
23	00754773	Shield, Protective	1
24	70487	Cotter Pin M4 x 40	1
25	70497	Cotter [Pin M5 x 50	1
26	4038609	Dipstick	1
27	00790983	Seal Washer	1

DRIVELINE ASSEMBLY W/CLUTCH 2107 ROTARY CUTTER



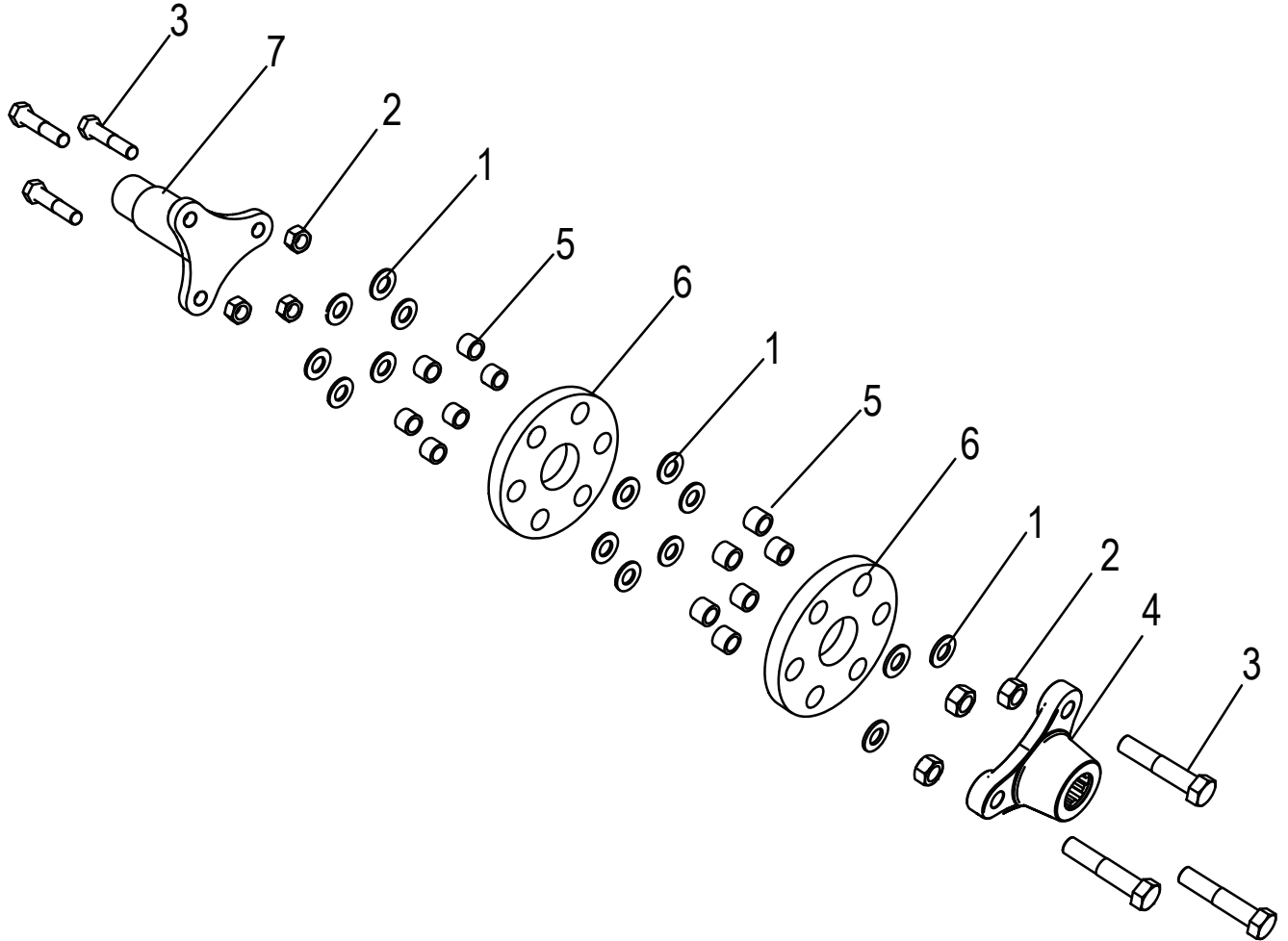
Item No.	Part No.	Description	Qty.
	50053126SP	Driveshaft Assy.	1
1	76711	Complete Collar Yoke	1
2	64694	Cross Journal Set	2
3	76152	Complete Disc Clutch	1
4	50053143	Guard Retaining Collar, Outer	1
5	50056404	Bolt	6
6	50053144	Guard Retaining Collar, Inner	1
7	76080	Spring	8
8	76159	Flanged Yoke	1
9	76195	Bushing	1
10	76194	Lining Ring	2
11	76064	Tapered Pin Set 1-3/8"	1
12	76161	Clutch Support	1
13	76196	Pressure Plate	1
14	44300BH	Capscrew M10 x 1.25 x 80	8
15	44298BH	Hex Nut M10 x 1.25	8
16	-----	Half Female Shaft w/Guard	1
17	-----	Half Male Shaft w/Guard	1
18	78786	Decal, Danger, Outer Tube	1
19	78608	Decal, Danger, Outer Shiled	1
20	50017480	Kit Collar, 1-3/8"	1
21	50053161	Complete Guard W/Instruct Manual	1

CROSS SHAFT ASSEMBLY 50082411 REPLACED BY 50082922



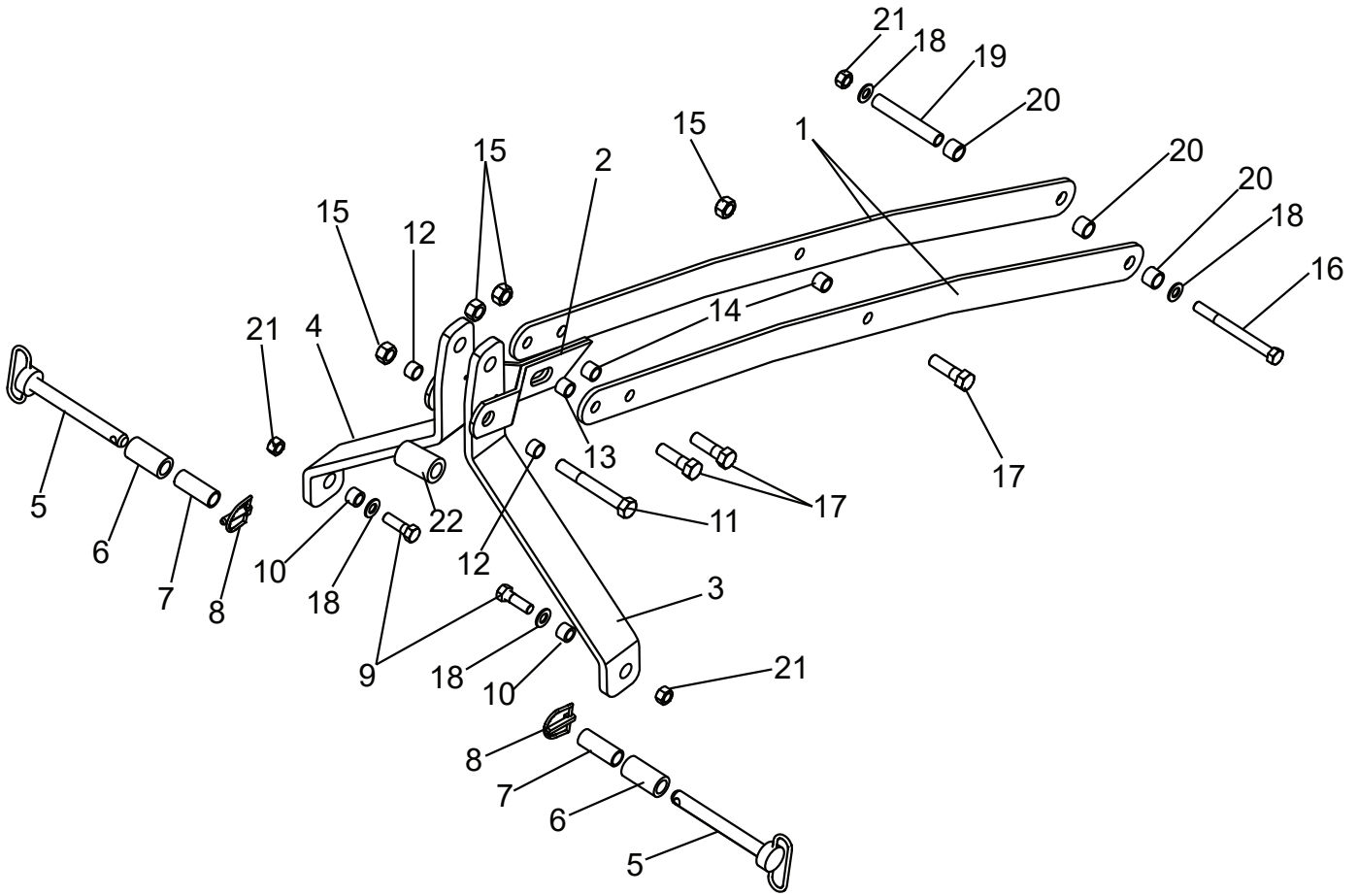
Item No.	Part No.	Description	Qty.
	50082411	Cross Shaft Driveline Assy.	1
1	50082412	Hub, 1-3/8" Z6	1
2	50076096	Rubber Pad	2
3	50082413	Shaft, 1-3/8" Z6	1
4	20748	Flatwasher, 5/8" SAE ZP	15
5	44439	HHCS, M16 x 2 x 80 G8.8 ZP	6
6	44406BH	Locknut, M16 x 2.0 C9 CP	6
7	50070289	Fitting, Grease. M8 x 1.25	2
8	50076094	Bushing	12

CROSS SHAFT ASSEMBLY 50082922 REPLACES 50082411



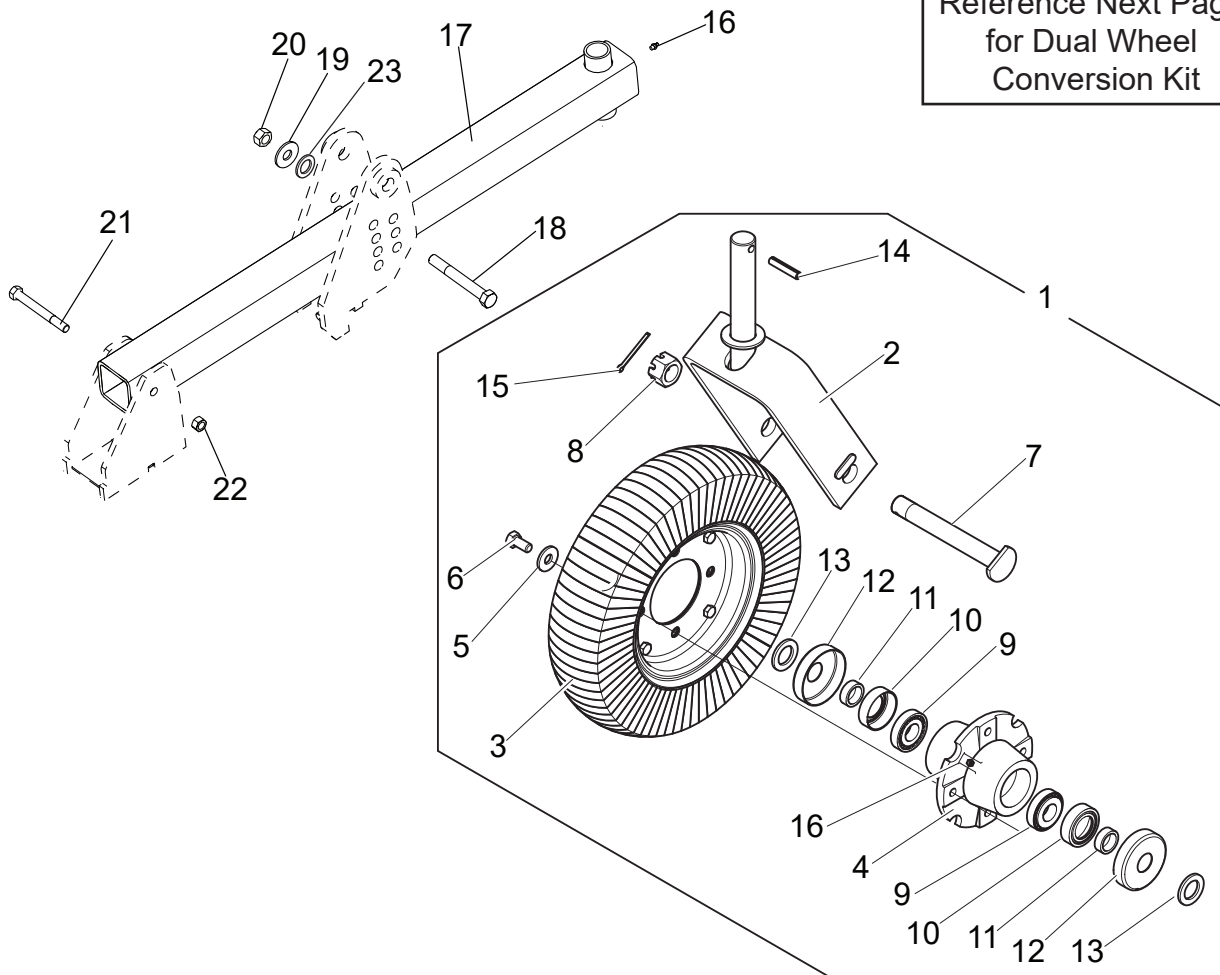
Item No.	Part No.	Description	Qty.
	50082922	Cross Shaft Driveline Assy	1
1	20748	Flatwasher, 5/8" SAE ZP	15
2	44406BH	Locknut, M16 x 2.0 C9 CP	6
3	44439	HHCS, M16 x 2 x 80 G8.8 ZP	6
4	50082412	Hub, 1-3/8" Z6	1
5	50076094	Bushing	12
6	50076096	Rubber Pad	2
7	50082924	Shaft, 1-3/8" Z6	1

HITCH ASSEMBLY 2107 ROTARY CUTTER



Item No.	Part No.	Description	Qty.	Item No.	Part No.	Description	Qty.
1	50082500	Yoke	2	12	50050392	Spacer Bushing	2
2	50050388	Pivot Arm Weldment	1	13	50050393	Wear Bushing, 1.00 x .76 x .75L	1
3	50082000	LH Riser	1	14	50080366	Bushing, 1.00 x .76 x .75L	2
4	50082001	RH Riser	1	15	9162400	Locknut, 3/4" GRC. CP	4
5	50080166	Hitch Pin, 7/8" x 7"	2	16	20294	HHCS, 5/8" x 6-1/2" G5 ZP	1
6	91061	Spacer	2	17	1162424	HHCS, 3/4" x 2-1/2" G5 ZP	3
7	91062	Spacer, Cat 2 Std.	2	18	20748	Flatwasher, 5/8" SAE ZP	4
8	20558BH	Lynch Pin, 7/16" x 2"	2	19	50080067	Bushing, .88 OD x .67 ID x 5.30L	1
9	20947	HHCS, 5/8" x 2" G5 ZP	2	20	50082455	Bushing, 1.12 x .885 x .75L	3
10	50050555	Strut Weldment Bushing	2	21	15598BH	Locknut, 5/8" CP	3
11	19037	HHCS, 3/4" x 5-1/2" G5 ZP	1	22	50033665	Quick Hitch Top Bushing Cat I	1

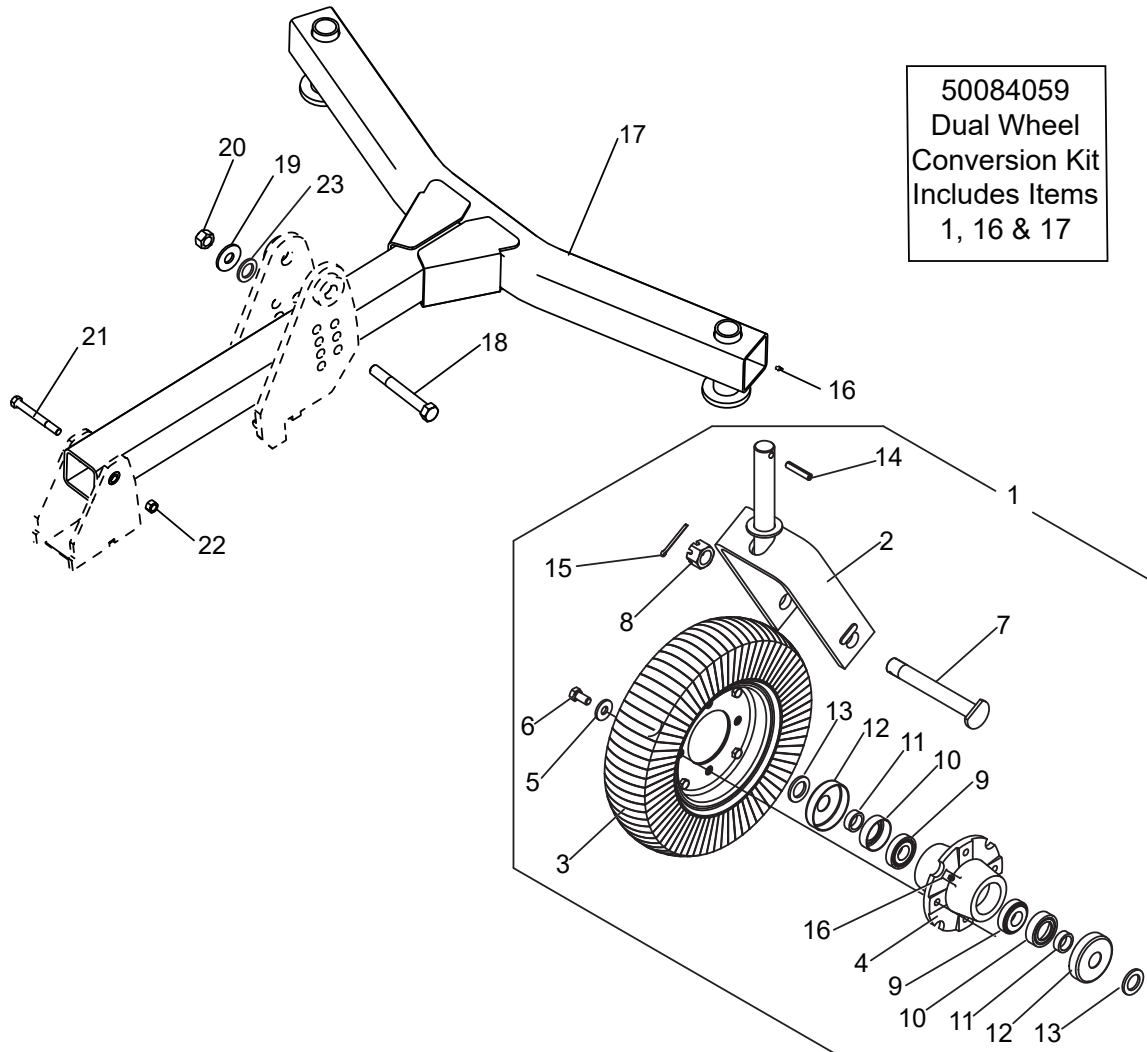
SINGLE TAILWHEEL AND RELATED PARTS 2107 ROTARY CUTTER



Reference Next Page
for Dual Wheel
Conversion Kit

Item No.	Part No.	Description	Qty.	Item No.	Part No.	Description	Qty.
1	50068496SP	Caster Assy, Laminated Tire w/Bearings	1	13	50068524	Washer	2
2	50067492	Caster Fork Weldment	1	14	50067495	Roll Pin, 10 x 50, Metric	1
3	500BH	Solid Tire Assembly	1	15	20167	Cotter Pin, 3/16" x 2"	1
4	50068522	Hub Casting	1	16	449BH	Fitting, Grease 1/4-28 Unf. Str.	2
5	44269	Flatwasher, M12	4	17	50082466	Axle Weldment, Lift	1
6	44204BH	Capscrew, M12 x 1.75 x 25 G8.8	4	18	20415	HHCS, 5/8" x 5-1/2" G5 ZP	1
7	50067488	Axle Bolt	1	19	15925	Flatwasher, 5/8" ZP	1
8	120BH	Slotted Hex Nut, 3/4" NF CP	1	20	15563	Hex Nut, 5/8" CP	1
9	50068521	Bearing Assembly	2	21	20175	HHCS, 1/2" x 4-1/2" G5 ZP	1
10	50068525	Seal	2	22	9161600	Locknut, 1/2" BRC. CP	1
11	50068523	Bushing	2	23	19486	Lockwasher, 5/8" CP	1
12	50068520	Protective Cap	2				

DUAL TAILWHEEL AND RELATED PARTS 2107 ROTARY CUTTER



Item No.	Part No.	Description	Qty.	Item No.	Part No.	Description	Qty.
1	50068496SP	Caster Assy, Laminated Tire w/Bearings	2	13	50068524	Washer	4
2	50067492	Caster Fork Weldment	2	14	50067495	Roll Pin, 10 x 50, Metric	2
3	500BH	Solid Tire Assembly	2	15	20167	Cotter Pin, 3/16" x 2"	2
4	50068522	Hub Casting	2	16	449BH	Fitting, Grease 1/4-28 Unf. Str.	4
5	44269	Flatwasher, M12	8	17	50083923	Dual Tailwheel Weldment	1
6	44204BH	Capscrew, M12 x 1.75 x 25 G8.8	8	18	20415	HHCS, 5/8" x 5-1/2" G5 ZP	1
7	50067488	Axle Bolt	2	19	15925	Flatwasher, 5/8" ZP	1
8	120BH	Slotted Hex Nut, 3/4" NF CP	2	20	15563	Hex Nut, 5/8" CP	1
9	50068521	Bearing Assembly	4	21	20175	HHCS, 1/2" x 4-1/2" G5 ZP	1
10	50068525	Seal	4	22	9161600	Locknut, 1/2" BRC. CP	1
11	50068523	Bushing	4	23	19486	Lockwasher, 5/8" CP	1
12	50068520	Protective Cap	4	24	50084059	Dual Tailwheel Conversion Kit (items 1, 16, 17)	1



BUSH HOG®

2501 Griffin Ave.

Selma, AL. 36703