

BUSH HOG®

FLEX WING ROTARY CUTTER/SHREDDER

2120/12120

**MODELS:
2120R1, 12120R1**

Revised 02/24

PARTS MANUAL SECTION 132



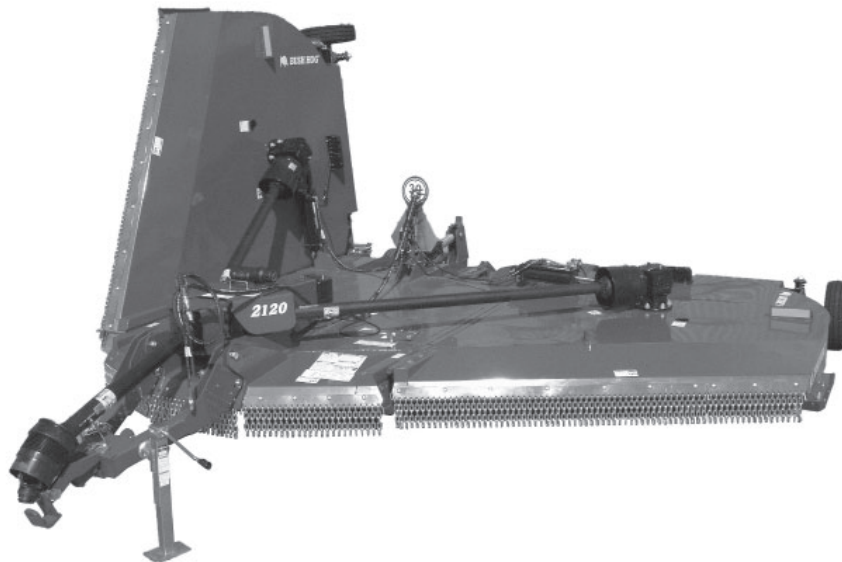
An Operator's Manual was shipped with the equipment. The Operator's Manual is an integral part of the safe operation of this machine and must be maintained with the unit at all times. **READ, UNDERSTAND, and FOLLOW** the Safety and Operation Instructions contained in this manual before operating the equipment. If the Operator's Manual is not with the equipment, contact your dealer or Bush Hog to obtain a copy before operating the equipment.

Safety Video

Important Operating and Safety Instructions are found in the Mower Safety Video that can be instantly accessed on the Internet at: www.algqr.com/bve



www.algqr.com/bve



BUSH HOG®
2501 Griffin Ave.
Selma, AL. 36703
Parts Ordering 800-304-2836
www.bushhog.com

ATENCIÓN!

LEA EL INSTRUCTIVO

Si No Lee Ingles, Pida Ayuda a Alguien
Que Si Lo Lea Para Que le Traduzca las
Medidas de Seguridad.



**A MEMBER OF THE
ALAMO GROUP**
ALWAYS ON THE CUTTING EDGE®

© 2022 Alamo Group Inc.

PARTS ORDERING GUIDE

The following instructions are offered to help eliminate needless delay and error in processing purchase orders for the equipment in this section.

1. The Parts Section is prepared in logical sequence and grouping of parts that belong to the basic machine featured in this manual. Part Numbers and Descriptions are given to help locate the parts and quantities required.
2. The Purchase Order must include the name and address of the person or organization ordering the parts, who should be charged, and if possible, the serial number of the machine for which the parts are ordered.
3. The Purchase Order must clearly list the quantity of each part, the complete and correct part number (be sure to include all periods), and the basic name of the part.
4. The Manufacturer reserves the right to substitute parts where applicable.
5. Some parts are unlisted items which are special production items not normally stocked and are subject to special handling. Request a quotation for such parts before sending a Purchase Order.
6. The Manufacturer reserves the right to change prices without prior notice.



For maximum safety and to guarantee optimum product reliability, always use genuine **BUSH HOG** Parts. The use of inferior replacement parts may cause premature or catastrophic failure which could result in serious injury or death. Direct any questions regarding parts to:

BUSH HOG

2501 Griffin Ave.

Selma, AL. 36703

www.bushhog.com

Contact Us

800-304-2836


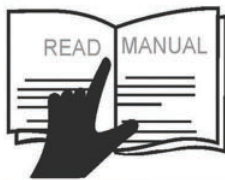









BUSH HOG®

To the Owner/Operator/Dealer

All implements with moving parts are potentially hazardous. There is no substitute for a cautious, safe-minded operator who recognizes the potential hazards and follows reasonable safety practices. The manufacturer has designed this implement to be used with all its safety equipment properly attached to minimize the chance of accidents.

BEFORE YOU START! Read the safety messages on the implement and shown in your manual. Observe the rules of safety and common sense!

 DANGER			
FAILING TO FOLLOW SAFETY MESSAGES AND OPERATING INSTRUCTION CAN CAUSE SERIOUS BODILY INJURY OR EVEN DEATH TO OPERATOR AND OTHERS IN THE AREA.			
1. 	2. NO RIDERS. NO CHILDREN OPERATORS. 	3. USE SAFETY SHOES, HARD HAT, SAFETY GLASSES, SEAT BELTS, ROPS & OPS. 	4. BLOCK UP SECURELY BEFORE WORKING UNDER. 
<ol style="list-style-type: none"> 1. Study and understand Operator's Manuals, Safety Decals, and Instructional Decals for tractor and implement to prevent misuse, abuse, and accidents. Practice before operating in a confined area or near passersby. <ul style="list-style-type: none"> • Learn how to stop engine suddenly in an emergency. Be alert for passersby and especially children. 2. Allow no children on or near folding mower or tractor. Allow no riders on tractor or implement. Falling off may cause serious injury or death from being run over by tractor or mower or contact with rotating blades. 3. Operate only with tractor having Roll-Over Protective Structure (ROPS) and with seat belt securely fastened to prevent injury and possible death from falling off or tractor overturn. <ul style="list-style-type: none"> • Personal Protective Equipment such as Hard Hat, Safety Glasses, Safety Shoes, & Ear Plugs are recommended. 4. Block up or support raised machine and all lifted components securely before putting hands or feet under or working underneath any lifted component to prevent crushing injury or death from sudden dropping or inadvertent operation of controls. Make certain area is clear before lowering or folding. 5. Before transporting, put Lift Lever in detent or full-lift position. Install Transport Safety Devices securely on folding mowers. Put Booms securely in Transport Rest. <ul style="list-style-type: none"> • Folding and Boom Mowers have raised center of gravity. Slow down when turning and on hillsides. 6. Make certain that SMV sign, warning lights, and reflectors are clearly visible. Follow local traffic codes. 7. Never operate with Cutting Head or Folding Section raised if passersby, bystanders, or traffic are in the area to reduce possibility of injury or death from objects thrown by Blades under Guards or mower structure. 8. Before dismounting, secure implement in transport position or lower to ground. <ul style="list-style-type: none"> • Put tractor in park position or set brake, disengage PTO, stop engine, remove key, and wait until noise of rotation has ceased to prevent crushing by entanglement in rotating parts which could cause injury or death. • Never mount or dismount a moving vehicle. Crushing from runover may cause serious injury or death. 			
5. TRANSPORT SAFELY, LOCK UP. 	6. USE SMV, LIGHTS, & REFLECTORS. 	7. DO NOT OPERATE WITH CUTTER OR WING RAISED 	8. DO NOT MOUNT OR DISMOUNT WHILE MOVING. 

02967827


WARNING
Cancer and Reproductive Harm
www.P65Warnings.ca.gov

WARRANTY INFORMATION:

Read and understand the complete Warranty Statement found in this Manual. Fill out the Warranty Registration Form in full and return it to within 30 Days. Make certain the Serial Number of the Machine is recorded on the Warranty Card and on the Warranty Form that you retain.

WARRANTY

LIMITED WARRANTY

Bush Hog warrants to the original purchaser of any new Bush Hog equipment, purchased from an authorized Bush Hog dealer, that the equipment be free from defects in material and workmanship for a period of one (1) year for non-commercial, state and municipalities' use and ninety (90) days for commercial use from date of retail sale. The obligation of Bush Hog to the purchaser under this warranty is limited to the repair or replacement of defective parts.

Replacement or repair parts installed in the equipment covered by this limited warranty are warranted for ninety (90) days from the date of purchase of such part or to the expiration of the applicable new equipment warranty period, whichever occurs later. Warranted parts shall be provided at no cost to the user at an authorized Bush Hog dealer during regular working hours. Bush Hog reserves the right to inspect any equipment or parts which are claimed to have been defective in material or workmanship.

In addition to the standard Limited Warranty shown above, Bush Hog also provides:

A TEN-YEAR (120 months) GEARBOX LIMITED WARRANTY* (6 Years Full Coverage; Parts Only for Years 7 through 10) provided they have been properly maintained† and have not been subjected to abuse or mis-use except as limited below.

*WARRANTY LIMITATIONS - GEARBOX

- A. Gearbox warranty extends to the original purchaser of a Bush Hog Rotary Cutter Only.
- B. Warranty claimant must provide proper product registration and original receipt for purchase.
- C. Bush Hog reserves the right to warrant Gearboxes and components at our discretion based on photographic or video evidence of product failure.
- D. If Bush Hog deems a Gearbox failed due to defects in materials or workmanship, users' Gearboxes may be rebuilt by Bush Hog or replaced by new or rebuilt Gearboxes at the option of Bush Hog.

A ONE-YEAR (12 months) LIMITED WARRANTY** on the DRIVELINE components provided they have been properly maintained† and have not been subjected to abuse or mis-use.

**WARRANTY LIMITATIONS - DRIVELINE

- A. A ONE-YEAR (12 months) DRIVELINE LIMITED WARRANTY applies to SHIELDS except where evidence of wear from contact with other parts on the shield voids this warranty.
- B. Shield Bearings are wearing parts and are not warrantable.
- C. Slip-Clutch Plates are wearing parts and are not warrantable. Evidence of "burning up" Slip-Clutch Plates due to improper adjustment will void warranty on Slip-Clutch Parts.

† NOTE - "*properly maintained*" specifically includes, but is not limited to:

- A) Running Gearboxes with the proper amount of the correct lubricant.
- B) Adjusting Slip-Clutches correctly to provide proper protection for Driveline and Gearbox components.
- C) Proper lubrication of all DRIVELINE components as specified.
- D) Maintaining proper bearing preload on all Gearbox shafts.

WARRANTY

DISCLAIMER OF IMPLIED WARRANTIES & CONSEQUENTIAL DAMAGES

Bush Hog's obligation under this limited warranty, to the extent allowed by law, is in lieu of all warranties, implied or expressed, INCLUDING IMPLIED WARRANTIES OF MERCHANTABILITY AND FITNESS FOR A PARTICULAR PURPOSE and any liability for incidental and consequential damages with respect to the sale or use of the items warranted. Such incidental and consequential damages shall include but not be limited to: transportation charges other than normal freight charges; cost of installation other than cost approved by Bush Hog; duty; taxes; charges for normal service or adjustment; loss of crops or any other loss of income; rental of substitute equipment, expenses due to loss, damage, detention or delay in the delivery of equipment or parts resulting from acts beyond the control of Bush Hog.

THIS LIMITED WARRANTY SHALL NOT APPLY:

1. To vendor items which carry their own warranties.
2. If the unit has been subjected to misapplication, abuse, misuse, negligence, fire or other accident.
3. If parts not made or supplied by Bush Hog have been used in connection with the unit, if, in the sole judgment of Bush Hog such use affects its performance, stability or reliability.
4. If the unit has been altered or repaired outside of an authorized Bush Hog dealership in a manner which, in the sole judgment of Bush Hog, affects its performance, stability or reliability.
5. To normal maintenance service and normal replacement items such as gearbox lubricant, hydraulic fluid, worn blades, or to normal deterioration of such things as belts and exterior finish due to use or exposure.
6. To expendable or wear items such as teeth, chains, sprockets, belts, springs and any other items that in the company's sole judgment is a wear item.

IN ORDER FOR WARRANTIES TO BE PROCESSED, PRODUCT WARRANTY REGISTRATION MUST BE FILED WITH BUSH HOG THROUGH THE SELLING DEALER.

Retain original purchase receipt and record the model number, serial number and date of purchase. This information will be helpful to your dealer if parts or services are required.

MODEL NUMBER _____

SERIAL NUMBER _____

DATE OF PURCHASE _____

NO EMPLOYEE OR REPRESENTATIVE OF BUSH HOG IS AUTHORIZED TO CHANGE THIS LIMITED WARRANTY IN ANY WAY OR GRANT ANY OTHER WARRANTY UNLESS SUCH CHANGE IS MADE IN WRITING AND SIGNED BY BUSH HOG'S SERVICE MANAGER, 2501 GRIFFIN AVE., SELMA, AL. 36703

TABLE OF CONTENTS

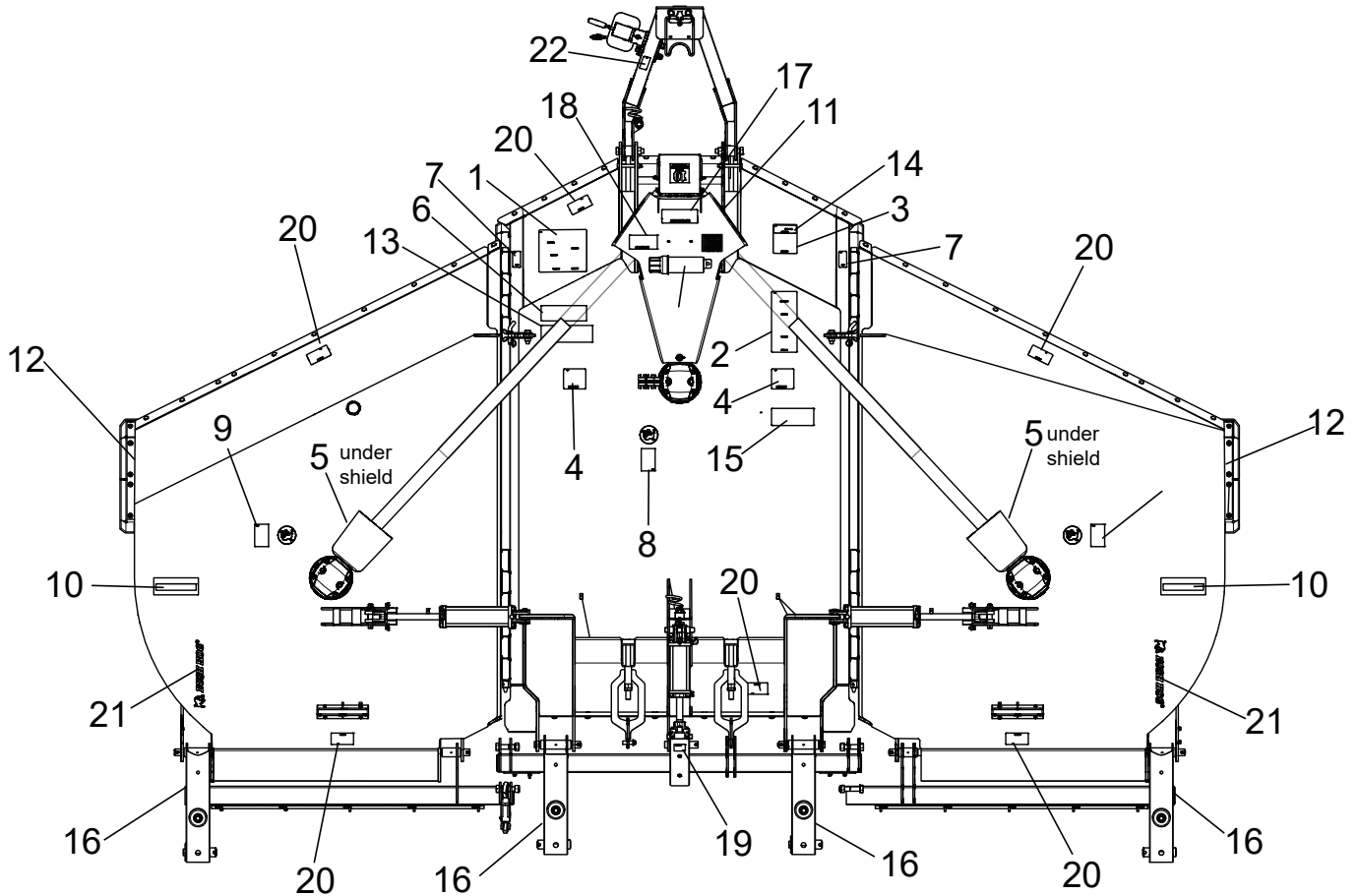
2120 & 12120

FLEX WING ROTARY CUTTER

ALPHABETICAL INDEX

CONTENTS	PAGE
Axle Arm Assy (Swivel Turnbuckle) & Related Parts.....	132-5-4
Axle Arm, Spindles, Hub Assemblies & Related Parts Single, Dual.....	132-5-5
Axle Arms, Tandem.....	132-5-6
Baffles.....	132-6-1
Base Assembly, Center.....	132-1-2, 132-1-3
Base Assembly, RH Wing.....	132-1-4, 132-1-5
Base Assembly, LH Wing.....	132-1-6, 132-1-7
Blades & Blade Holders.....	See Base Assemblies
Chain, Safety Tow.....	132-5-1
Chains, Front & Rear Single Row.....	132-1-10, 132-1-11
Chains, Front & Rear Double Row.....	132-1-12, 132-1-13
Cylinder, Hydraulics.....	132-7-2
Decal Kits	132-1-1
Driveline Holder Assembly.....	132-5-2
Driveline Holder Assembly EZ Mount.....	132-5-3
Driveshafts.....	132-2-4 thru 132-4-7
Gearbox, Transfer.....	132-3-1
Gearbox, Center.....	132-3-2, 132-3-3
Gearbox, RH Wing.....	132-3-4
Gearbox, LH Wing.....	132-3-5
Hitch Assembly, Ball.....	132-5-2
Hitch Assembly, Swivel Pivot.....	132-5-2
Hydraulic Fittings To Tractor Remotes.....	132-7-1
Jackstand.....	132-5-2
LED Light Kit (Rear Lights Only).....	132-1-9
Leveling Rod Assembly.....	132-5-1
Shield, Wing Driveshafts.....	132-2-2
Shield Assembly, Center.....	132-2-1
SMV Sign & Related Parts.....	132-1-8
Tongue Assembly.....	132-5-1
Wheel & Tire Assemblies.....	132-5-7, 132-5-8

DECAL KIT FOR 2120 & 12120 MODELS

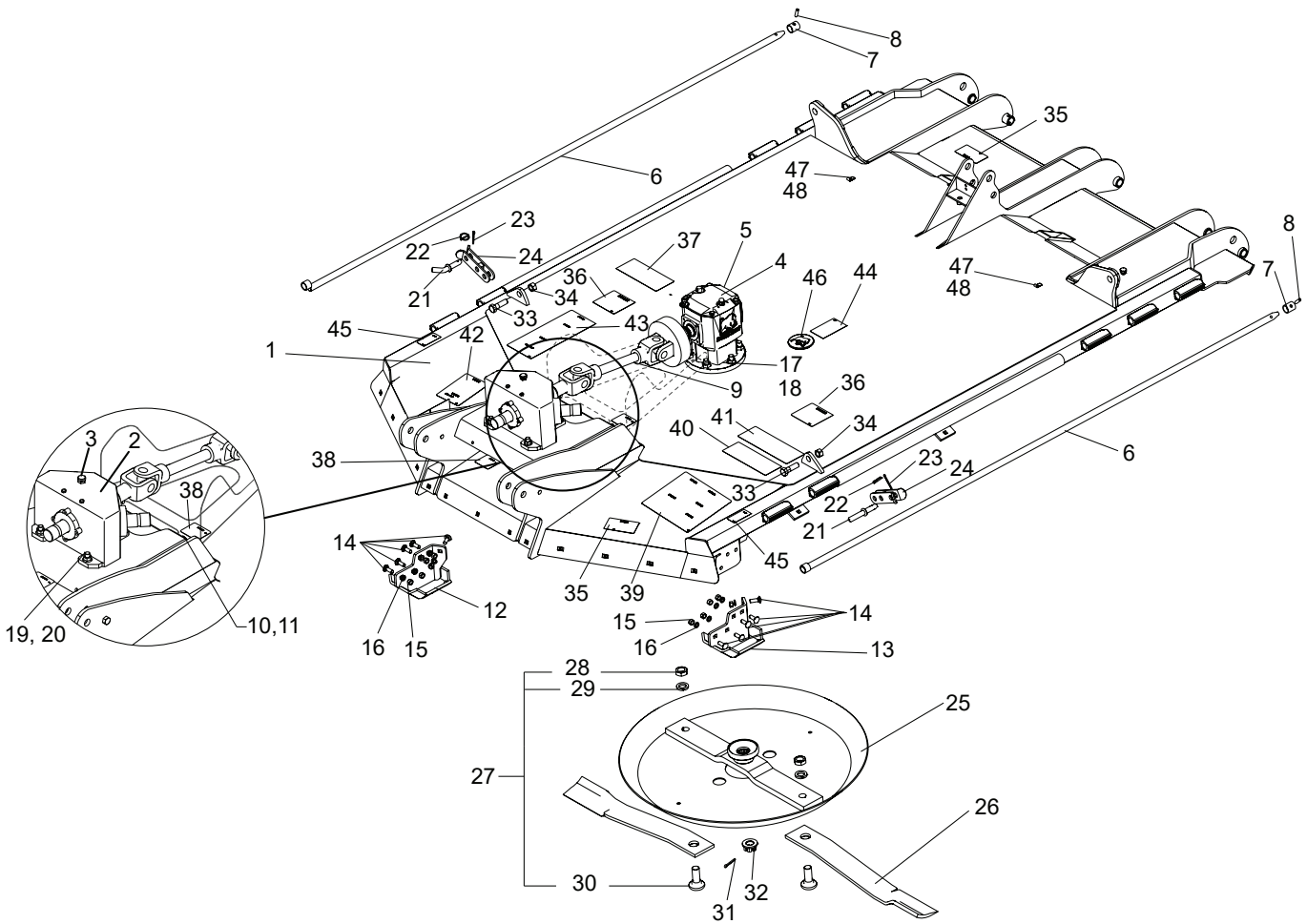


Item No.	Part No.	Description	Qty.	Item No.	Part No.	Description	Qty.
	50082775	Decal Kit	1	12	50080370	Deal, Bush Hog Logo	2
1	D549	Decal, Danger/Operation	1	13	D587	Decal, Lubrication	1
2	D553	Decal, Warning	1	14	D548	Decal, Warning (1000 RPM)	1
3	D547	Decal, Danger (540 RPM)	1	15	D559	Decal, Genuine Bush Hog Parts	1
4	D565	Decal, Danger	2	16	50031212	Decal, Amber Reflector	6
5	D546	Decal, Danger (Guard Missing)	4	17	87340	Decal, Important	1
6	D813	Decal, Danger - Multi-lingual	1	18	91443	Decal, Important	1
7	D555	Decal, Danger	2	19	D544	Decal, Important	1
8	D551	Decal, Blade Rotation CCW	2	20	D614	Decal, Danger (Thrown Object)	6
9	D552	Decal, Blade Rotation CW	1	21	50065309	Decal, Bush Hog Log	2
10	50031214	Decal, Red Reflector	2	22	D1085	Decal, Notice	1
11	50082300	Decal, Model 2120	2				
	50082301	Decal, Model 12120	2				

CENTER DECK ASSEMBLY

2120 (540 RPM Models)

12120 (1000 RPM Models)



CENTER DECK ASSEMBLY

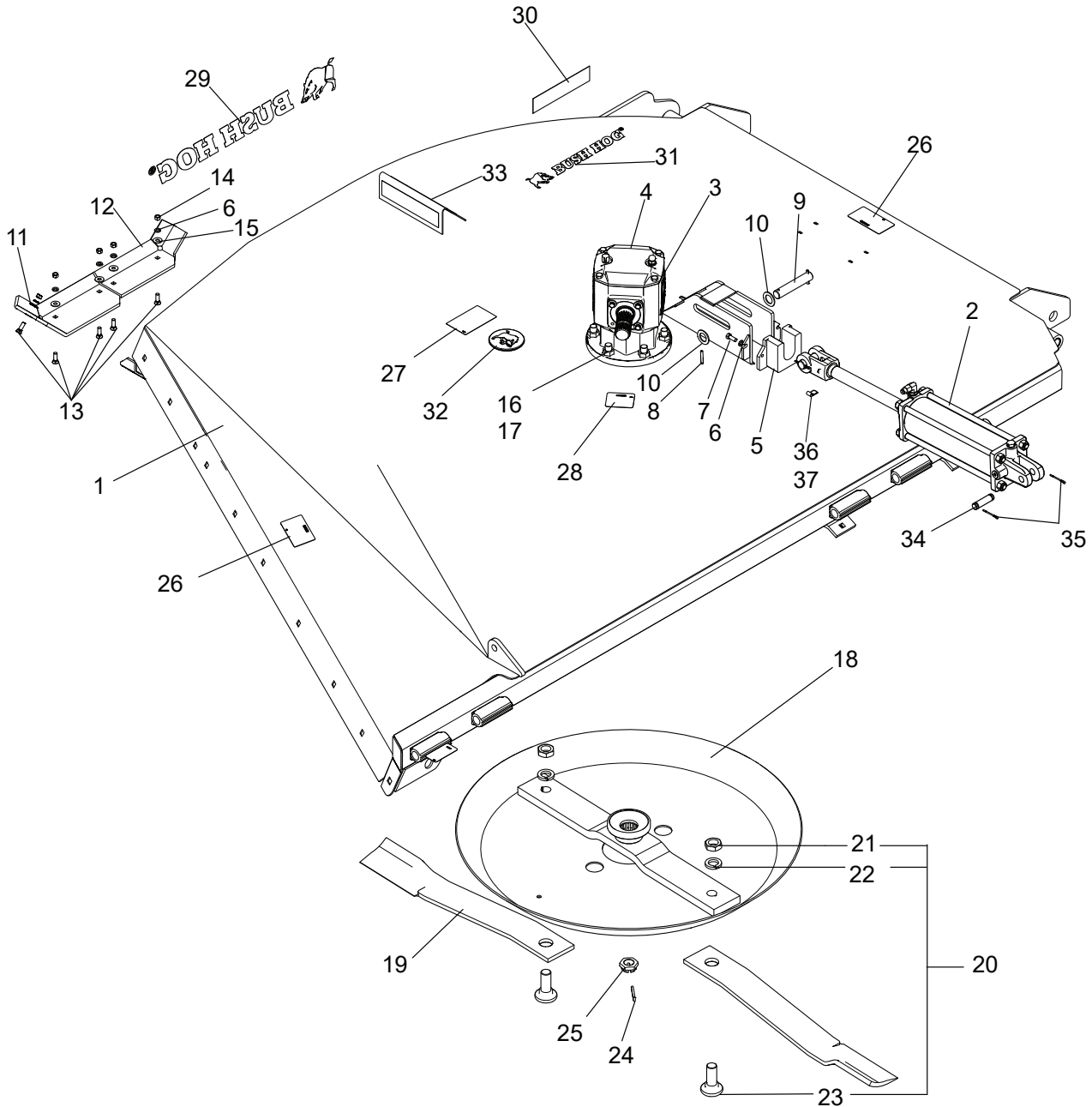
2120 (540 RPM Models)

12120 (1000 RPM Models)

Item No.	Part No.	Description	Qty.	Item No.	Part No.	Description	Qty.
1	50082779	Center Deck w/Decals (2120/12120)	1	24	50028476	Wing Latch	2
2	71500	Gearbox Assy. (Divider) 540 RPM	1	25	50072531	Pan Weldment, 7 Ft.	1
	50052768	Gearbox Assy. (Divider) 1000 RPM	1	26	50076633	Blade Parallel Uplift, CCW - 28.25"	2
3	80538	Valve Vent Plug	1	27	63607	Blade Bolt Kit	2
4	00791801BH	Gearbox Assy, EZ80 1:1.35, (540)	1	28	252BH	Jamnut, 1-1/8" NF	2
	00791800BH	Gearbox Assy, EZ80 1:1.35 (1000)	1	29	20322	Lockwasher, 1-1/8" CP	2
5	50074092	Sight Window	1	30	7919BH	Blade Bolt	2
6	50072703	Hinge Pin Weldment	2	31	2716423	Cotter Pin, B6 x 60	1
7	91900BH	Lock Collar	2	32	00791093	Castle Nut, M30	1
8	19529	Spirol Pin, 3/8" x 1-1/2"	2	33	1162424	Capscrew, 3/4" x 2-1/2" Gr. 5	2
9	50082276	Driveline Assy, w/Clutch 1-3/4"	1	34	20638	Locknut, 3/4"	2
10	5161212	Carriage Bolt, 3/8"x 1-1/4 G5 ZP	2	35	D614	Decal, Danger (Thrown Object)	2
11	15583	Locknut, 3/8" Gr. FIng. Narrow	2	36	D565	Decal, Danger	2
12	50082670	Center Skid Weldment, RH	1	37	D559	Decal, Genuine Bush Hog Parts	1
13	50082673	Center Skid Weldment, LH	1	38	D546	Decal, Danger (Missing Guard)	2
14	5161614	Carriage Bolt, 1/2" x 1-1/2" Gr. 5	10	39	D549	Decal, Danger / Operation	1
15	8151600	Hex Nut, 1/2"	10	40	D813	Decal, Danger - Multi-lingual	1
16	15806	Lockwasher, 1/2"	10	41	D587	Decal, Lubrication Chart	1
17	44510BH	HHCS, 3/4" x 2-1/2" Gr. 8 ZP	6	42	D547	Decal, Danger	1
18	20299	Locknut, 3/4" FIng Gr. G ZP	6	43	D553	Decal, Warning	1
19	20414	Locknut, 5/8" Gr. G CP FIng	4	44	D551	Decal, Blade Rotation CCW	1
20	20206	HHCS, 5/8" x 2" G8 ZP	4	45	D555	Decal, Danger	2
21	50076342	Pin, Wing Latch	2	46	50083384	Blade Bolt Access Cap	1
22	69391	Lynch Pin	2	47	50074735	Clamp	2
23	20167	Cotter Pin, 3/16" x 2" ZP	2	48	45349BH	Hex FIng Hd. Thrd. Cut 1/4"-20 x 1/2" ZP	2

RH WING DECK ASSEMBLY

2120 (540 RPM Models)
12120 (1000 RPM Models)



RH WING DECK ASSEMBLY

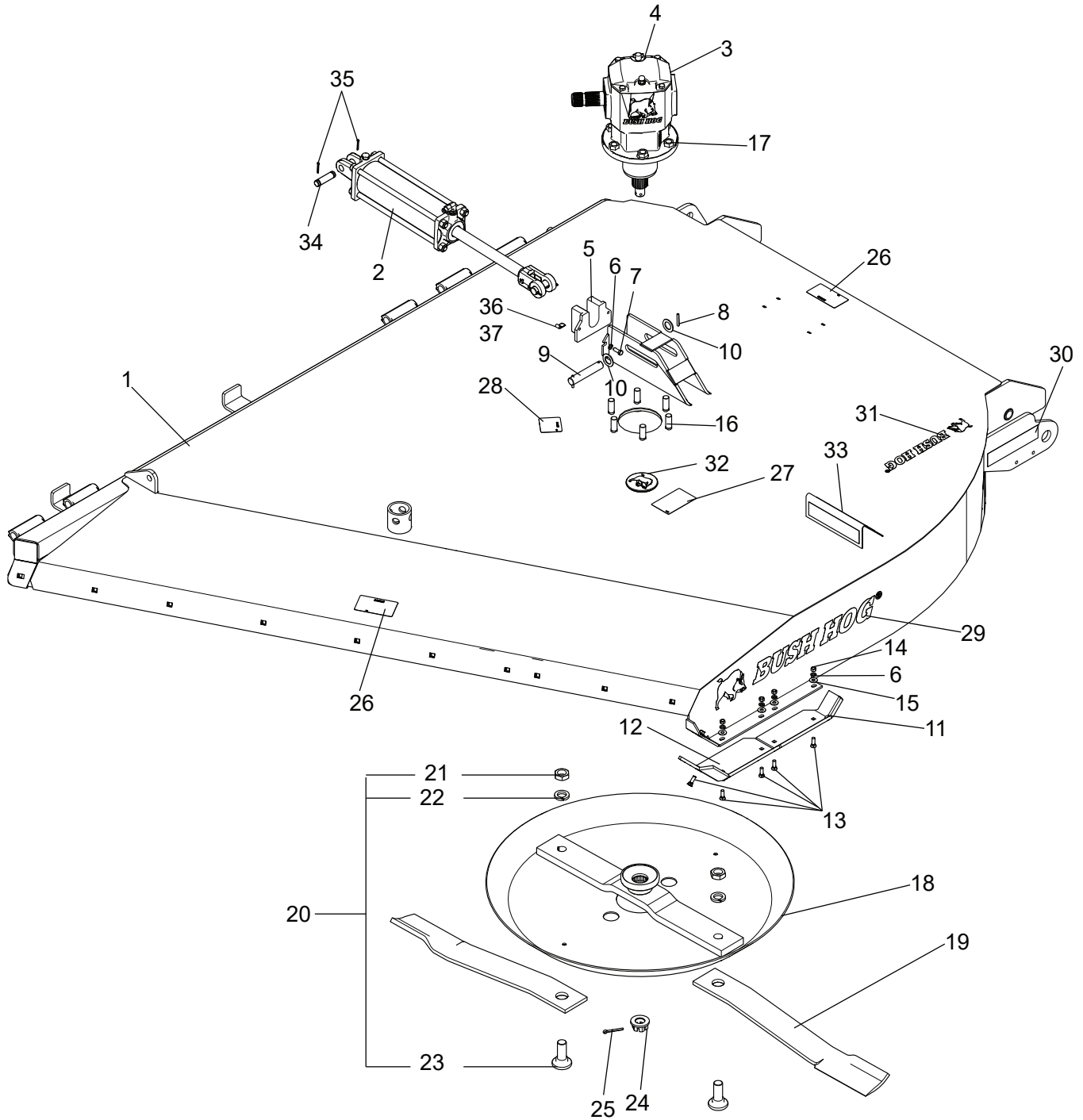
2120 (540 RPM Models)

12120 (1000 RPM Models)

Item No.	Part No.	Description	Qty.
1	50082778	RH Wing Weldment w/Decals	1
2	50081897	Cylinder, Hydraulic 4" x 12" x 1.375"	1
3	00791802BH	Gearbox Assy., EZ80 1:1.111 (540 RPM)	1
	00791805BH	Gearbox Assy., EZ80 1.176:1 (1000 RPM)	1
4	50074092	Sight Window	1
5	50031959	Push Over Assembly	1
6	15812	Lockwasher, 3/8"	7
7	20034	Capscrew, 3/8" x 1" Gr. 5	2
8	20167	Cotter Pin, 3/16" x 2"	2
9	87294	Cylinder Pin	1
10	20376	Flatwasher, 1" SAE	2
11	50069372	Front Skid, RH	1
12	50069369	Rear Skid, RH	1
13	3161212	Plow Bolt, #3 HD, 3/8" x 1-1/4" Gr. 5	5
14	8151200	Hex Nut, 3/8"	5
15	15915BH	Flatwasher, 3/8"	5
16	44510BH	Hex Head Capscrew, 3/4" x 2-1/2" G8 ZP	6
17	20299	Locknut, 3/4" Gr. G Fling	6
18	50072531	Pan Weldment, 7 Ft.	1
19	50076633	Blade, Parallel Uplift, CCW - 28.25"	2
20	63607	Blade Bolt Kit	2
21	252BH	Jamnut, 1-1/8" NF	2
22	20322	Lockwasher, 1-1/8" CP	2
23	7919BH	Blade Bolt	2
24	00791093	Castle Nut, M30	1
25	2716423	Cotter Pin, B6 x 60	1
26	D614	Decal, Danger (Thrown Object)	2
27	D551	Decal, Blade Rotation, CCW	1
28	D546	Decal, Danger (Guard Missing)	1
29	50080370	Decal, Bush Hog	1
30	50031212	Reflector, Amber	2
31	50065309	Decal, Bush Hog - 15.00"	1
32	50083384	Blade Bolt Access Cap	1
33	50031214	Reflector, Red	1
34	95425	Pin, 1" Dia.	1
35	21020614	Cotter Pin, 3/16" x 1-1/2" Pit	2
36	50074735	Clamp	1
37	45349BH	Hex Fling Hd. Thrd Cut Type F 1/4"-20 x 1/2" ZP	1
38	50075045	Decal, Bush Hog (item not shown)	1

LH WING DECK ASSEMBLY

2120 (540 RPM Models)
12120 (1000 RPM Models)



LH WING DECK ASSEMBLY

2120 (540 RPM Models)

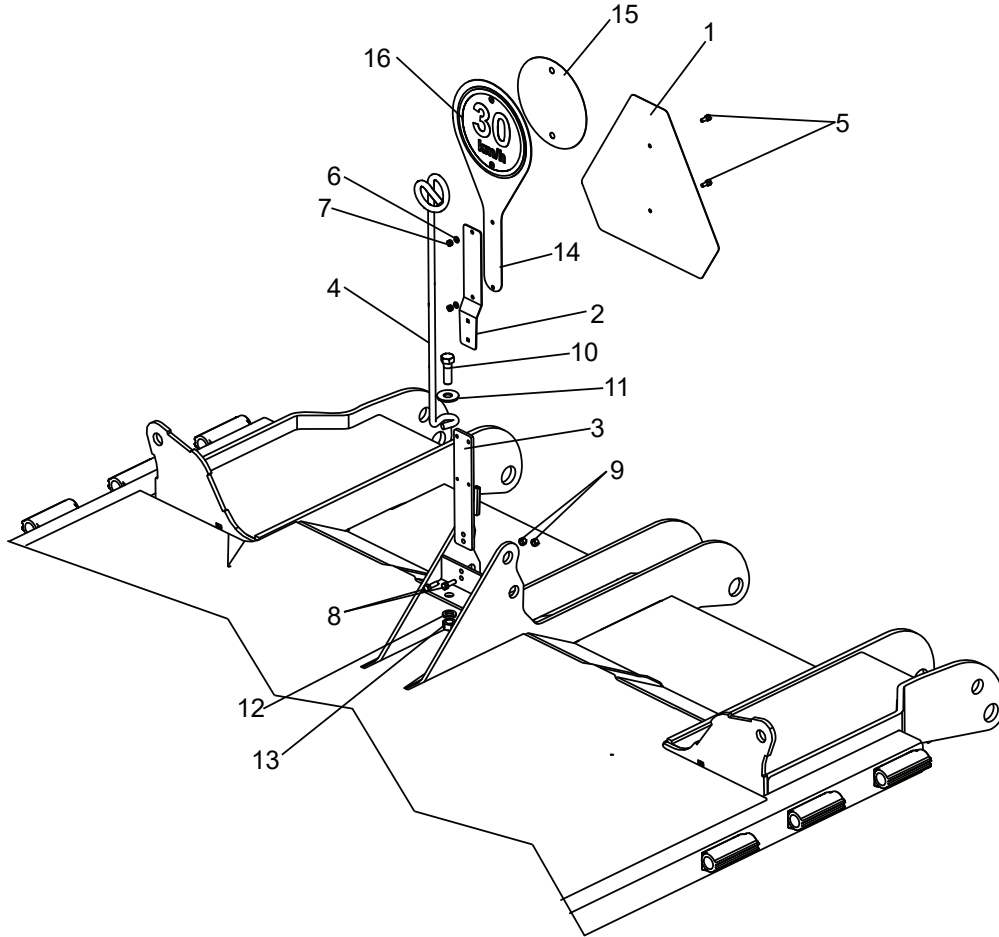
12120 (1000 RPM Models)

Item No.	Part No.	Description	Qty.
1	50082777	LH Wing Weldment w/Decals	1
2	50081897	Cylinder, Hydraulic 4" x 12" x 1.375"	1
3	00791803BH	Gearbox Assy., EZ80 1:1.111 (540 RPM)	1
	00791804BH	Gearbox Assy., EZ80 1.176:1 (1000 RPM)	1
4	50074092	Sight Window	1
5	50031959	Push Over Assembly	1
6	15812	Lockwasher, 3/8"	7
7	20034	Capscrew, 3/8" x 1" Gr. 5	2
8	20167	Cotter Pin, 3/16" x 2"	2
9	87294	Cylinder Pin	1
10	20376	Flatwasher, 1" SAE	2
11	50069371	Rear Skid, LH	1
12	50069374	Front Skid, LH	1
13	3161212	Plow Bolt, #3 HD, 3/8" x 1-1/4" Gr. 5	5
14	8151200	Hex Nut, 3/8"	5
15	15915BH	Flatwasher, 3/8"	5
16	44510BH	Hex Head Capscrew, 3/4" x 2-1/2" G8 ZP	6
17	20299	Locknut, 3/4" Gr. G Fling	6
18	50072531	Pan Weldment, 7 Ft.	1
19	50076634	Blade, Parallel Uplift, CW - 28.25"	2
20	63607	Blade Bolt Kit	2
21	252BH	Jamnut, 1-1/8" NF	2
22	20322	Lockwasher, 1-1/8" CP	2
23	7919BH	Blade Bolt	2
24	00791093	Castle Nut, M30	1
25	2716423	Cotter Pin, B6 x 60	1
26	D614	Decal, Danger (Thrown Object)	2
27	D552	Decal, Blade Rotation, CW	1
28	D546	Decal, Danger (Guard Missing)	1
29	50080370	Decal, Bush Hog	1
30	50031212	Reflector, Amber	2
31	50065309	Decal, Bush Hog	1
32	50083384	Blade Bolt Access Cap	1
33	50031214	Reflector, Red	1
34	95425	Pin, 1" Dia.	1
35	21020614	Cotter Pin, 3/16" x 1-1/2" Pit	2
36	50074735	Clamp	1
37	45349BH	Hex Fling Hd. Thrd Cut Type F 1/4"-20 x 1/2" ZP	1
38	50075045	Decal, Bush Hog (item not shown)	1

SMV SIGN & RELATED PARTS

2120 (540 RPM Models)

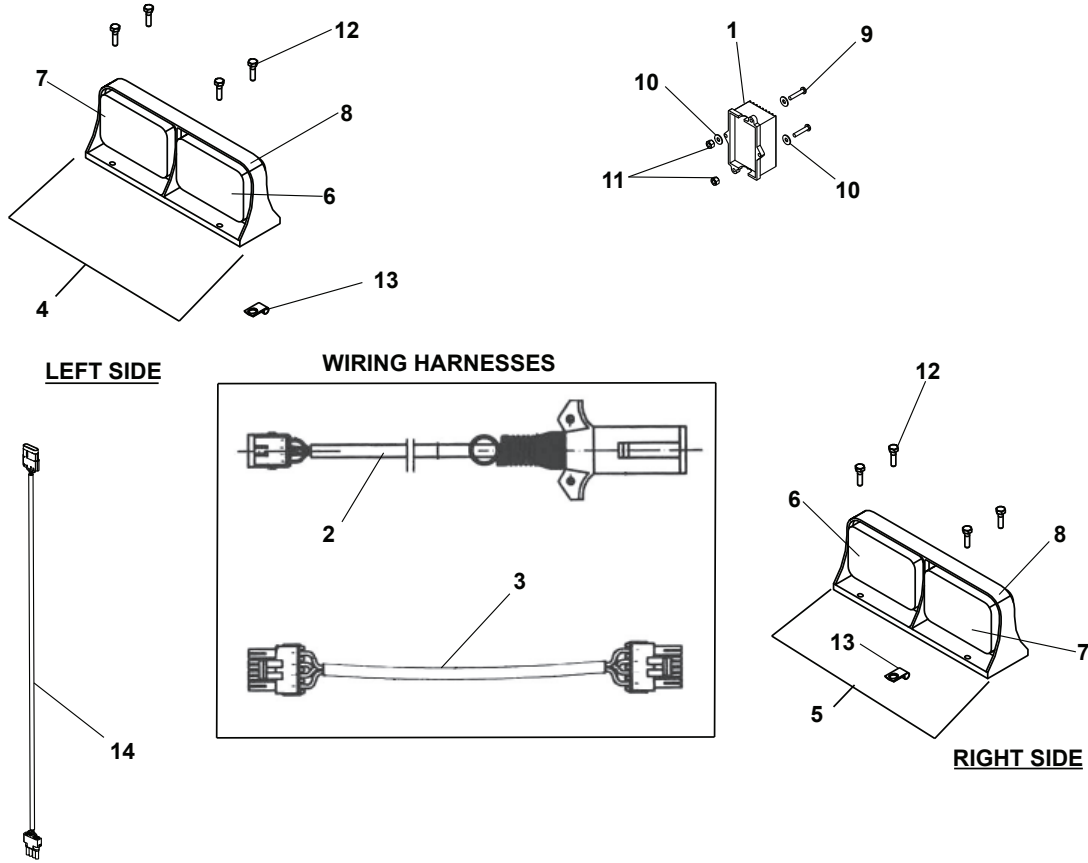
12120 (1000 RPM Models)



Item No.	Part No.	Description	Qty.
1	94359	SMV Sing	1
2	2438621	SMV Spade Brqacket	1
3	50074198	Weldment, SMV Mount	1
4	12031	Rod, Hose Holder	1
5	1160805	Capscrew, 1/4" x 5/8" Gr. 5	2
6	15905	Lockwasher, 1/4"	2
7	15531BH	Hex Nut, 1/4"	2
8	45011BH	Capscrew, 5/16" x 1" Gr. 5	2
9	15602BH	Locknut, 5/16"	2
10	20947	Capscrew, 5/8" x 2" Gr. 5	1
11	15925	Flatwasher, 5/8"	1
12	19486	Lockwasher, 5/8"	1
13	15563	Hex Nut, 5/8"	1
14	50082008	SIS Plate with Decals	1
15	50082007	Decal, Speed ID (20mile/h)	1
16	50082010	Decal, Speed ID (30 km/h)	1

LED LIGHT KIT (REAR LIGHTS ONLY)

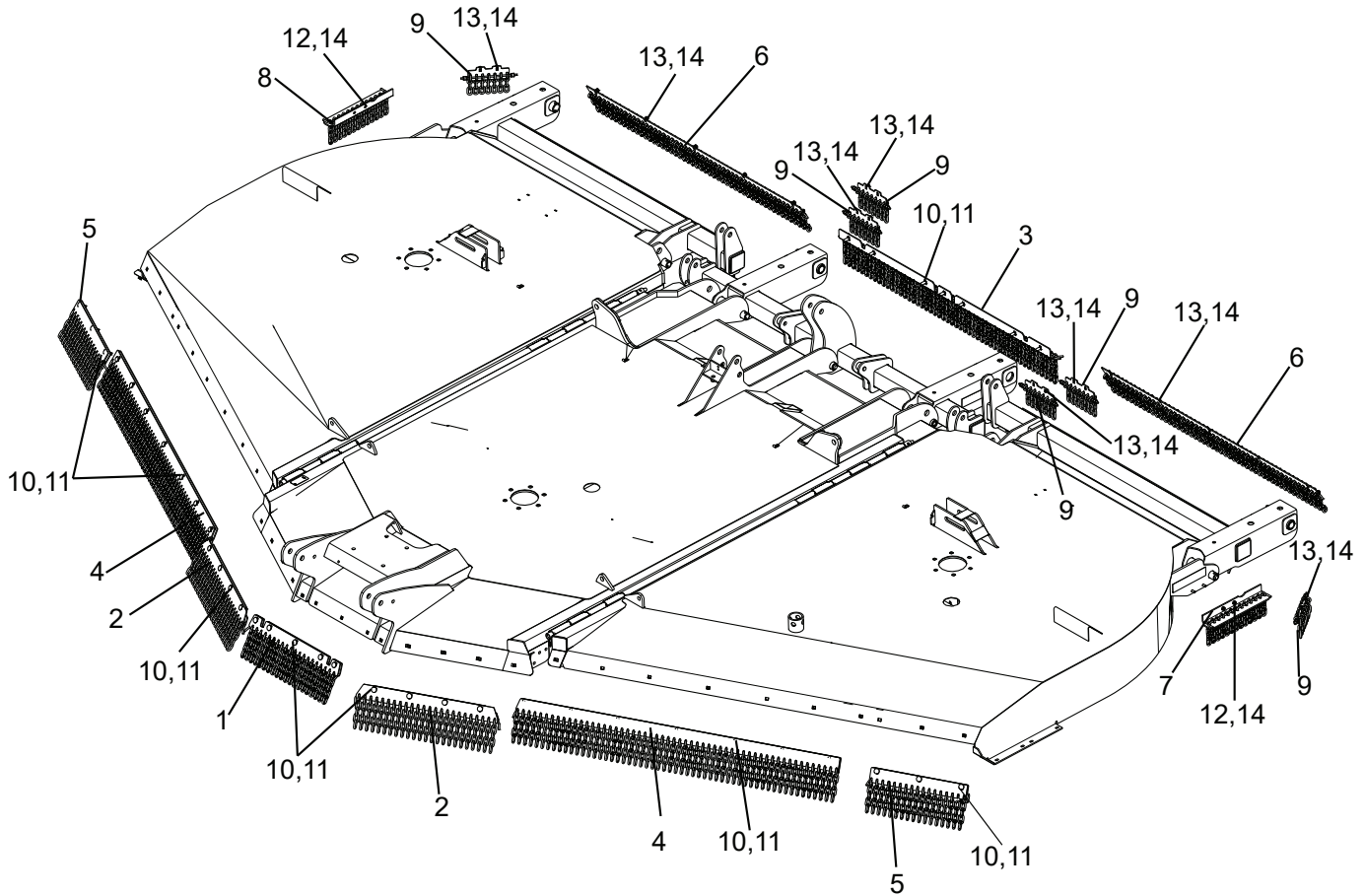
50074720
2120 & 12120



Item No.	Part No.	Description	Qty.
1	50072057	Module, Enhance	1
2	50074721	Main Harness (7 Pin, 16' Long)	1
3	50074725	Wishbone Harness (8' Long)	2
4	50074723	Dual LED Ag Lamp, Left Side, Amber/Red	1
5	50074724	Dual LED Ag Lamp, Right Side, Amber/Red	1
6	50072062	Lens, Red Replacement	2
7	50072063	Lens, Amber Replacement	2
8	50072064	Cover, Black Replacement Lens	4
9	----	Sl. Pn Hd Mach Screw, #10 x 1"	2
10	17020600	Flatwasher, #10	4
11	44520BH	Locknut, #10	2
12	45350BH	Hex Flng 1/4-20 x 3/4" ZP	8
13	50074735	Clamp	2
*14	50075304	Light Kit Harness Extension (36")	1

***Not Part of 50074720 Kit Must Order Separately**

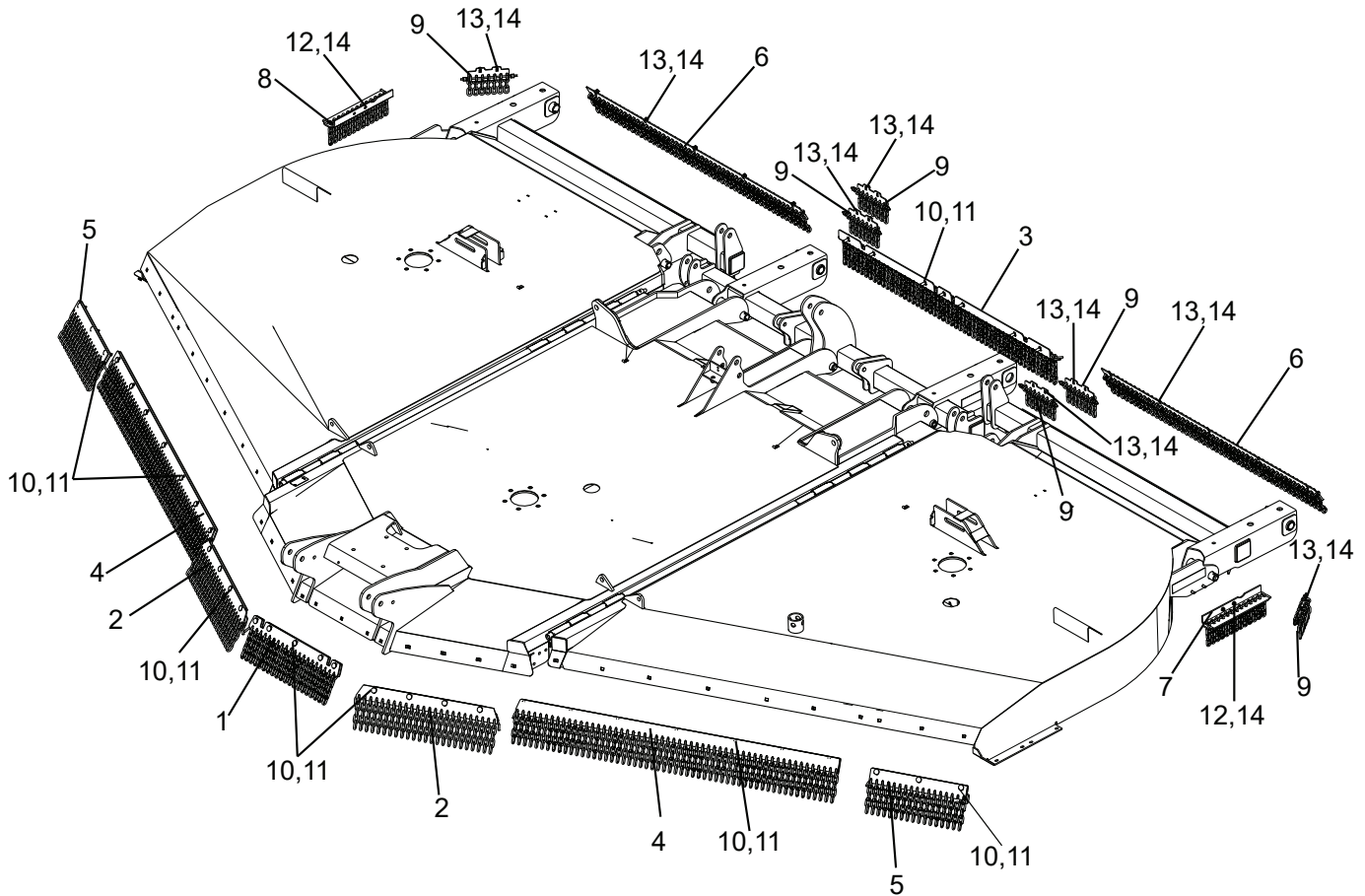
CHAINS, SINGLE ROW, FRONT & REAR 2120 (540 RPM Models) 12120 (1000 RPM Models)



CHAINS, SINGLE ROW, FRONT & REAR 2120 (540 RPM Models) 12120 (1000 RPM Models)

Item No.	Part No.	Description	Qty.
1	50071747	Chain Assy., Front Center	1
	50071744	Support, Front Center Chain	1
	50071829	Rod, Chain - 20 Slots	1
	50017264	Chain, Plated - 5 Link	20
2	50073111	Chain Assy., Center Front Center	2
	50072709	Support, Front Outside Chain	1
	50073110	Rod, Chain - 24 Slots	1
	50017264	Chain, Plated - 5 Link	24
3	50082964	Chain Assy., Center Rear	1
	50082962	Support, Rear	1
	50073122	Rod, Chain, Rear Center Deck	1
	50017264	Chain, Plated - 5 Link	50
4	50071746	Chain Assy., Front Wing	2
	50071622	Support, Front	1
	50069719	Rod, Chain - 56 Slots	1
	50017264	Chain, Plated - 5 Link	56
5	50073116	Chain Assy., Wing Front Side	2
	50073113	Support, Front Chain	1
	50073115	Rod, Chain - 17 Slots	1
	50017264	Chain, Plated - 5 Link	17
6	50073123	Chain Assy., Wing Axle	2
	50073120	Support, Wing Axle Chain	1
	50073122	Rod, Chain - 50 Slots	1
	50017264	Chain, Plated - 5 Link	50
7	50073130	Chain Assy., Wing LH	1
	50073126	Support, Wing, LH Chain	1
	50073128	Rod, Chain - 13 Slots	1
	50018912	Chain, Plated - 4 Link	13
8	50073129	Chain Assy., Wing RH	1
	50073125	Support, Wing RH Chain	1
	50073128	Rod, Chain, 13 Slots	1
	50018912	Chain, Plated - 4 Link	13
9	50069737	Chain Assy., Wing Axle	6
	50069729	Support, Wing Axle Chain	1
	50073323	Chain Cable	1
	50018912	Chain, Plated - 4 Link	7
	50050408	Stop Sleeve	2
10	5161614	Carriage Bolt, 1/2" x 1-1/2" Gr. 5	40
11	19518	Locknut, 1/2" Flanged Gr. G	40
12	1161212	Capscrew, 3/8" x 1-1/4" Gr. 5	4
13	5161212	Carriage Bolt, 3/8" x 1-1/4" Gr. 5	22
14	15583	Locknut, 3/8" Flanged Narrow, Gr. G	26

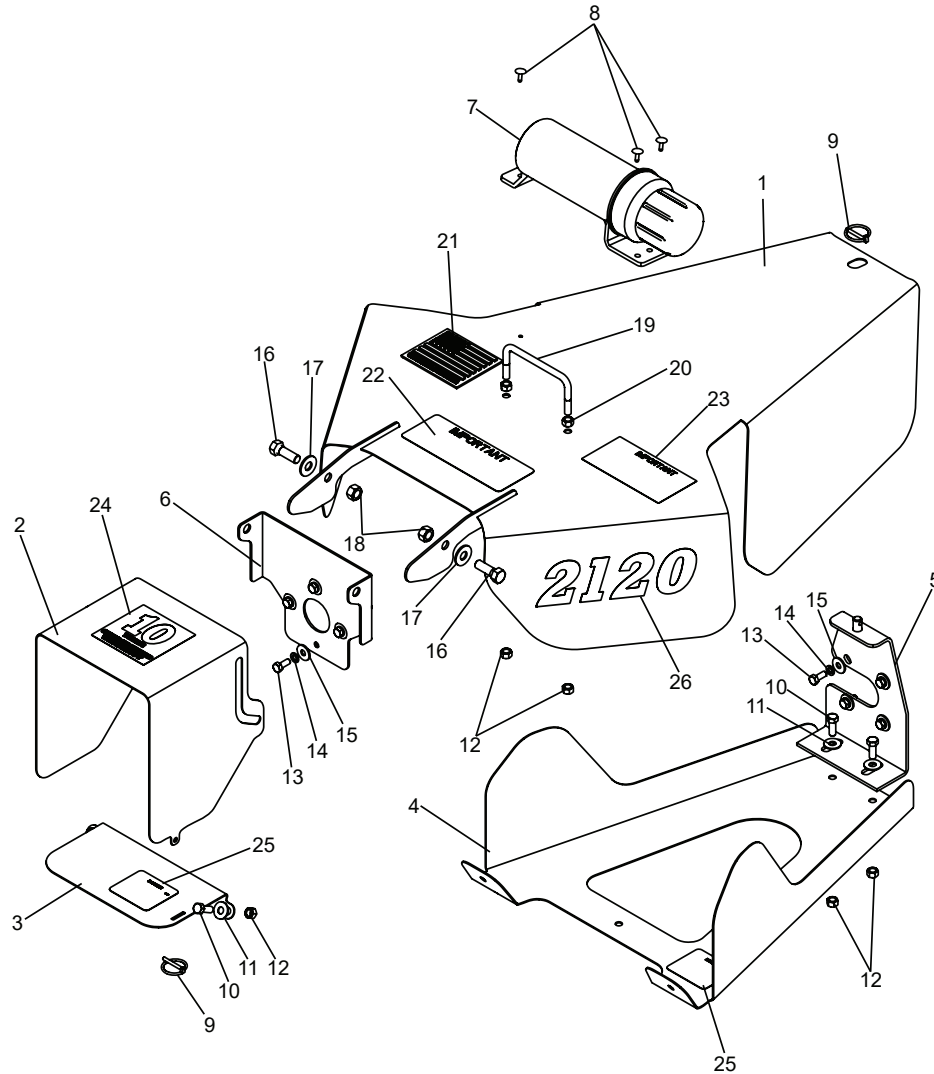
CHAINS, DOUBLE ROW, FRONT & REAR 2120 (540 RPM Models) 12120 (1000 RPM Models)



CHAINS, DOUBLE ROW, FRONT & REAR 2120 (540 RPM Models) 12120 (1000 RPM Models)

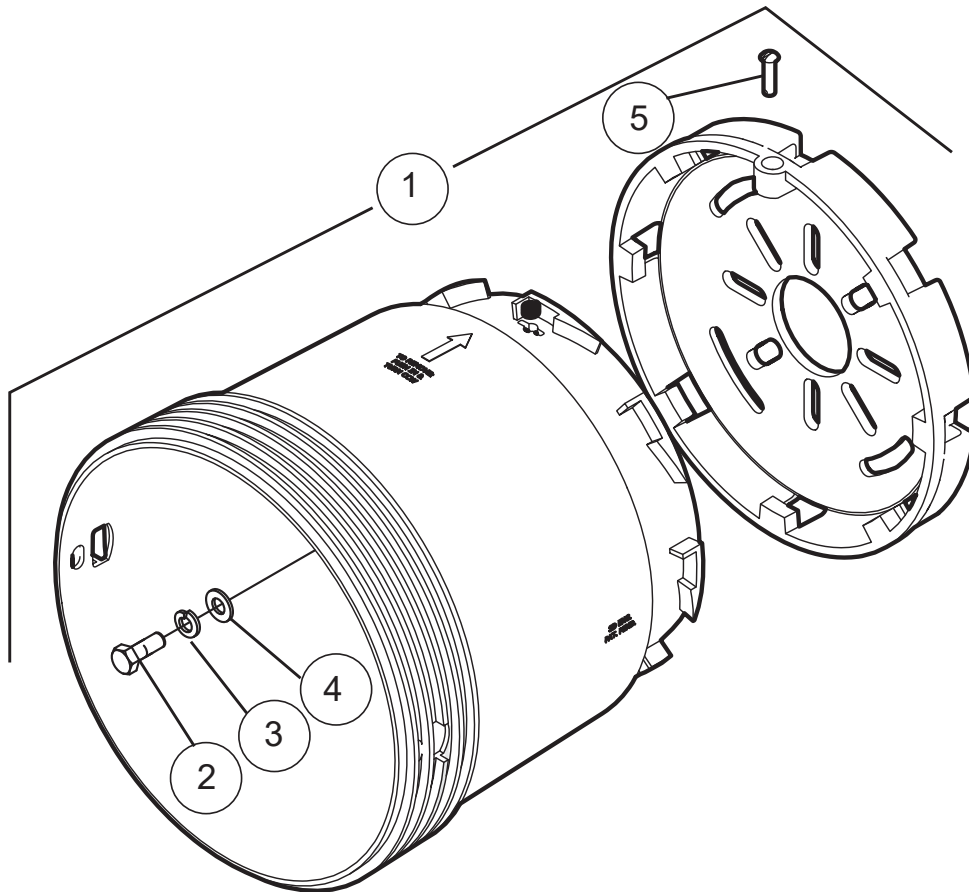
Item No.	Part No.	Description	Qty.
1	50071750	Chain Assy., Front Center	1
	50071744	Support, Front Center Chain	1
	50071829	Rod, Chain - 20 Slots	1
	50029803	Chain, Plated - 9 Link	20
2	50073816	Chain Assy., Center Front Side	2
	50072709	Support, Front Outside Chain	1
	50073110	Rod, Chain - 24 Slots	1
	50029803	Chain, Plated - 9 Link	24
3	50083670	Chain Assy., Center Rear	1
	50082962	Chain Bracket, Center - Rear	1
	50073122	Rod, Chain, - 50 Slots	1
	50029803	Chain, Plated - 9 Link	50
4	50071749	Chain Assy., Front Wing	2
	50071622	Support, Front	1
	50069719	Rod, Chain - 56 Slots	1
	50029803	Chain, Plated - 9 Link	56
5	50073817	Chain Assy., Wing Front Side	2
	50073113	Support, Front Chain	1
	50073115	Rod, Chain - 17 Slots	1
	50029803	Chain, Plated - 9 Link	17
6	50073818	Chain Assy., Wing Axle	2
	50073120	Support, Wing Axle Chain	1
	50073122	Rod, Chain - 50 Slots	1
	50029803	Chain, Plated - 9 Link	50
7	50073820	Chain Assy., Wing LH	1
	50073126	Support, Wing, LH Chain	1
	50073128	Rod, Chain - 13 Slots	1
	50017212	Chain, Plated - 7 Link	13
8	50073819	Chain Assy., Wing RH	1
	50073125	Support, Wing RH Chain	1
	50073128	Rod, Chain, 13 Slots	1
	50017212	Chain, Plated - 7 Link	13
9	50070272	Chain Assy., Wing Axle	6
	50069729	Support, Wing Axle Chain	1
	50073323	Chain Cable	1
	50017212	Chain, Plated - 7 Link	7
	50050408	Stop Sleeve	2
10	5161614	Carriage Bolt, 1/2" x 1-1/2" Gr. 5	40
11	19518	Locknut, 1/2" Flanged Gr. G	40
12	1161212	Capscrew, 3/8" x 1-1/4" Gr. 5	4
13	5161212	Carriage Bolt, 3/8" x 1-1/4" Gr. 5	22
14	15583	Locknut, 3/8" Flanged Narrow, Gr. G	26

CENTER SHIELD ASSEMBLY



Item No.	Part No.	Description	Qty.	Item No.	Part No.	Description	Qty.
1	50082974	Center Shield w/Decals	1	15	44216	Flatwasher, M8	8
2	50083027	Input Shield, Top	1	16	15093	Capscrew, 1/2" x 1-1/2" Gr. 5	2
3	50082776	Input Shield Bottom Transfer w/Decals	1	17	15916	Flatwasher, 1/2"	2
4	50082774	Shield, Bottom w/Decals	1	18	15554	Locknut, 1/2"	2
5	50073023	Rear Shield Support Weldment	1	19	50027637	U-bolt, Foot Platform	1
6	50083218	Shield Mount	1	20	8151200	Hex Nut, 3/8" CP	2
7	50035829	Tube, Owners Manual	1	21	50074259	Decal, Made in USA	1
8	00780878	Rivet, 3/16" Pop-Grip .468	3	22	87340	Decal, Important	1
9	69391	Lynch Pin	2	23	91443	Decal, Important	1
10	20034	Capscrew, 3/8" x 1" Gr. 5	4	24	50081789	Decal, 10 Year Gearbox Warranty	1
11	15915BH	Flatwasher, 3/8"	4	25	D546	Decal, Danger	2
12	9131200	Locknut, 3/8" Gr. C	6	26	50082300	Decal, Model 2120	2
13	44315BH	Capscrew, M8 x 1.25 x 20 G8.8 ZP	8		50082301	Decal, Model 12120	2
14	44311BH	Lockwasher, M8	8				

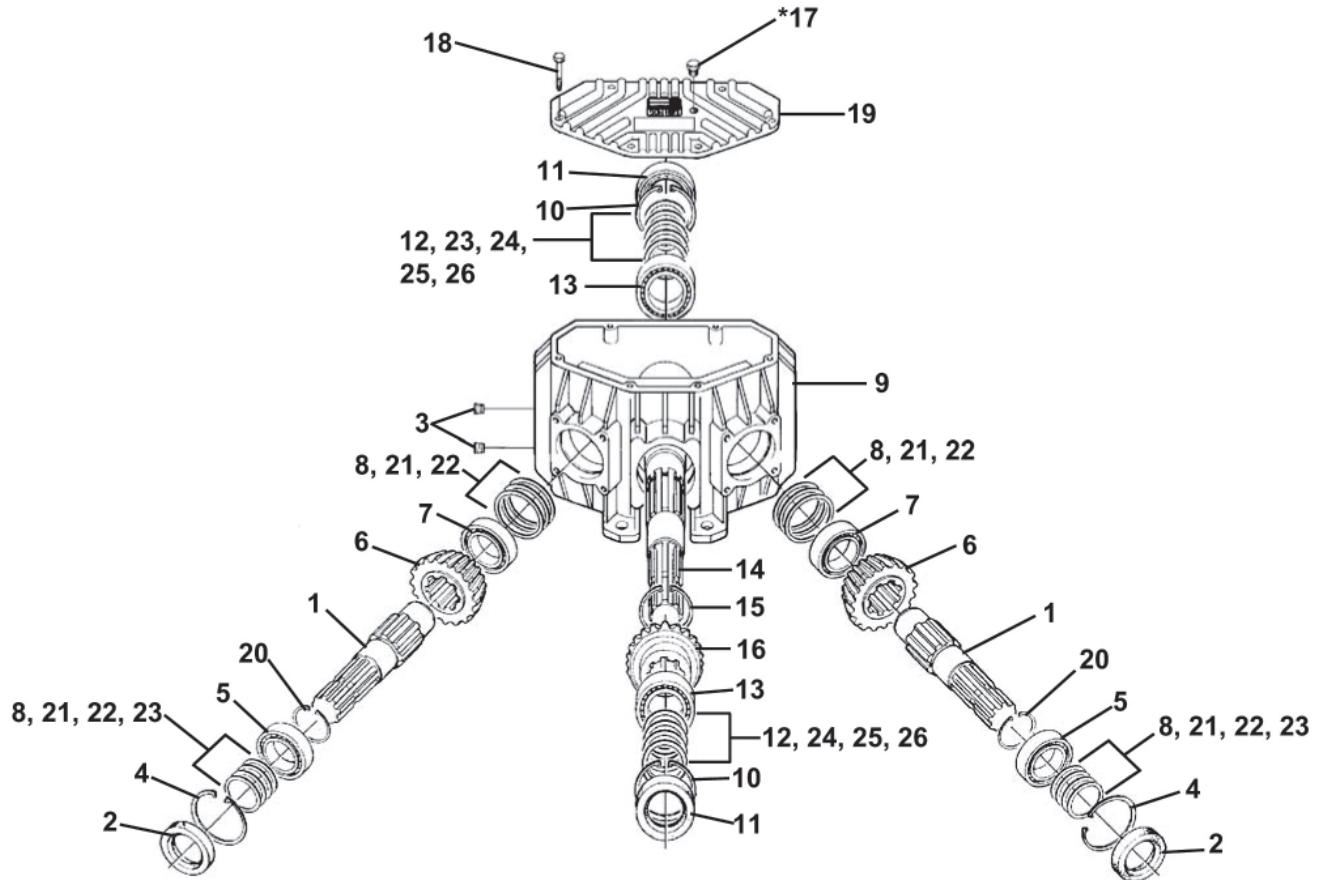
WING DRIVELINE SHIELDING



Item No.	Part No.	Description	Qty.
1	50075573	Locking Shield Assy.,Extended	1
2	90560	Capscrew, M8 x 1.25 x 15 G8.8 ZP W/Patch	4
3	44311BH	Lockwasher, M8	4
4	44216	Flatwasher, M8	4
5	50075575	Turn Fastener, 1/4"	1

71500 TRANSFER GEARBOX ASSEMBLY Used on 2120 Models

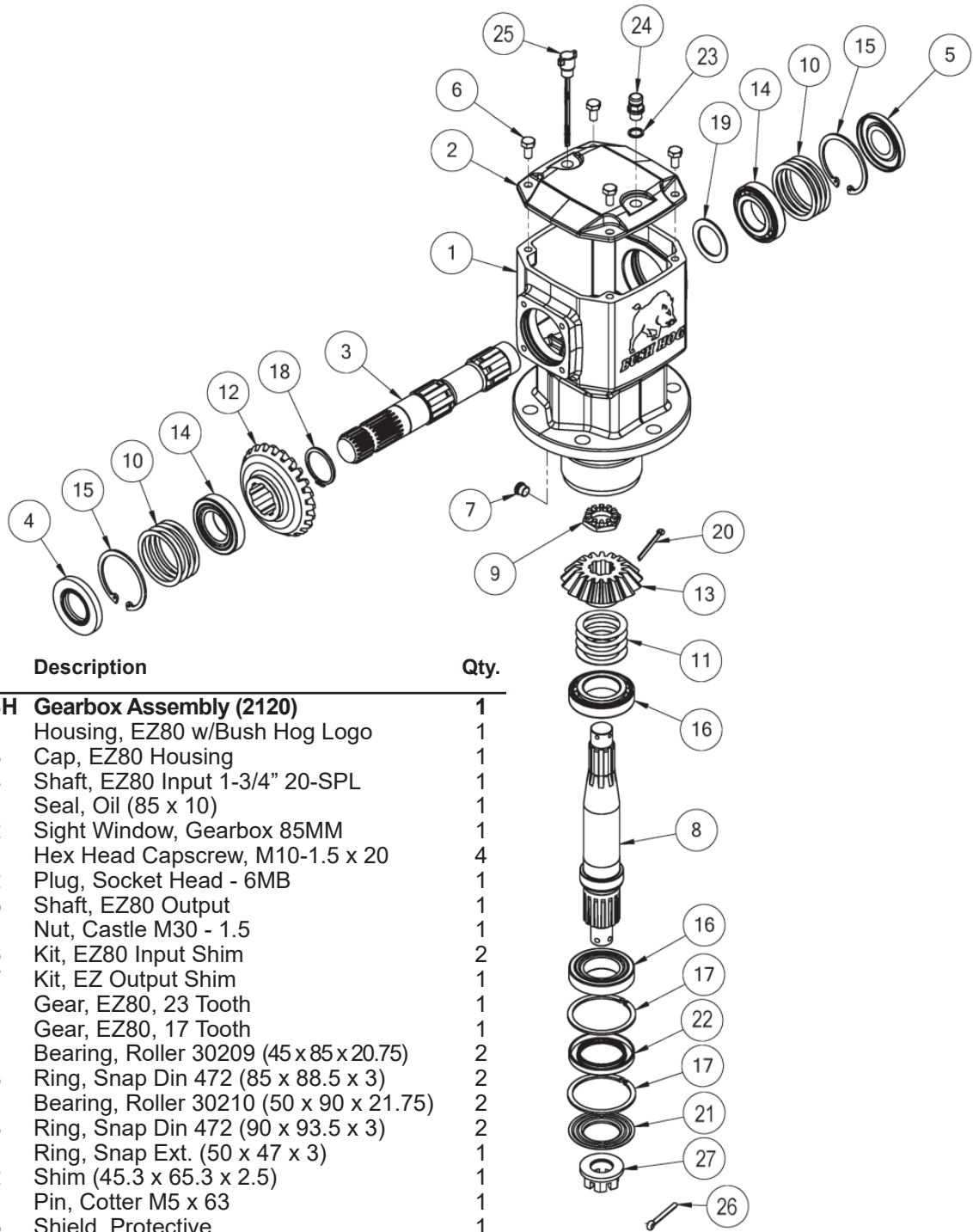
50052768 TRANSFER GEARBOX ASSEMBLY Used on 12120 Models



Item No.	Part No.	Description	Qty.	Item No.	Part No.	Description	Qty.
	71500	Gearbox Assy., (540 RPM)	1	15	70299	Snap Ring	1
	50052768	Gearbox Assy., (1000 RPM)	1	16	-----	Gear, Z24 (included in item 6) (71500 Assy., 540 RPM)	1
1	71501	Shaft, 1-3/4" Z20	2		-----	Crown Wheel Z20 (included in item 6) (50052768 Assy., 1000 RPM)	1
2	70913	Oil Seal	2	*17	80538	Vent Plug	1
3	70181	Plug, 3/8" Gas	2	18	45001BH	Capscrew, M8 x 1.25 x 30 G8.8	6
4	70121	Snap Ring	2	19	71506	Cover	1
5	70256	Bearing	2	20	70250	Snap Ring	2
6	50078474	Gear Kit, (1-24T & 2-20T Gears) (71500 Assy., 540 RPM)	1	21	70705	Shim, 79.9 x 69.0 x .4	4
	50078503	Bevel Gear Kit, Z20-24 M5 (50052768 Assy., 1000 RPM)	1	22	70859	Shim, 79.9 x 69.0 x .5	4
7	70082	Bearing 6307	2	23	70851	Shim, 79.9 x 69.0 x 1.0	4
8	70704	Shim, 79.9 x 69.0 x .3	4	24	70753	Shim, 84.7 x 70.3 x .4	2
9	-----	Casing	1	25	70754	Shim, 84.7 x 70.3 x .5	2
10	70189	Snap Ring	2	26	70755	Shim, 84.7 x 70.3 x 1.0	2
11	50068116	Oil Seal, 45 x 85 x 10	2				
12	70752	Shim, 84.7 x 70.3 x .3	2				
13	70194	Bearing, 6209	2				
14	71504	Shaft, 1-3/4" Z20	1				

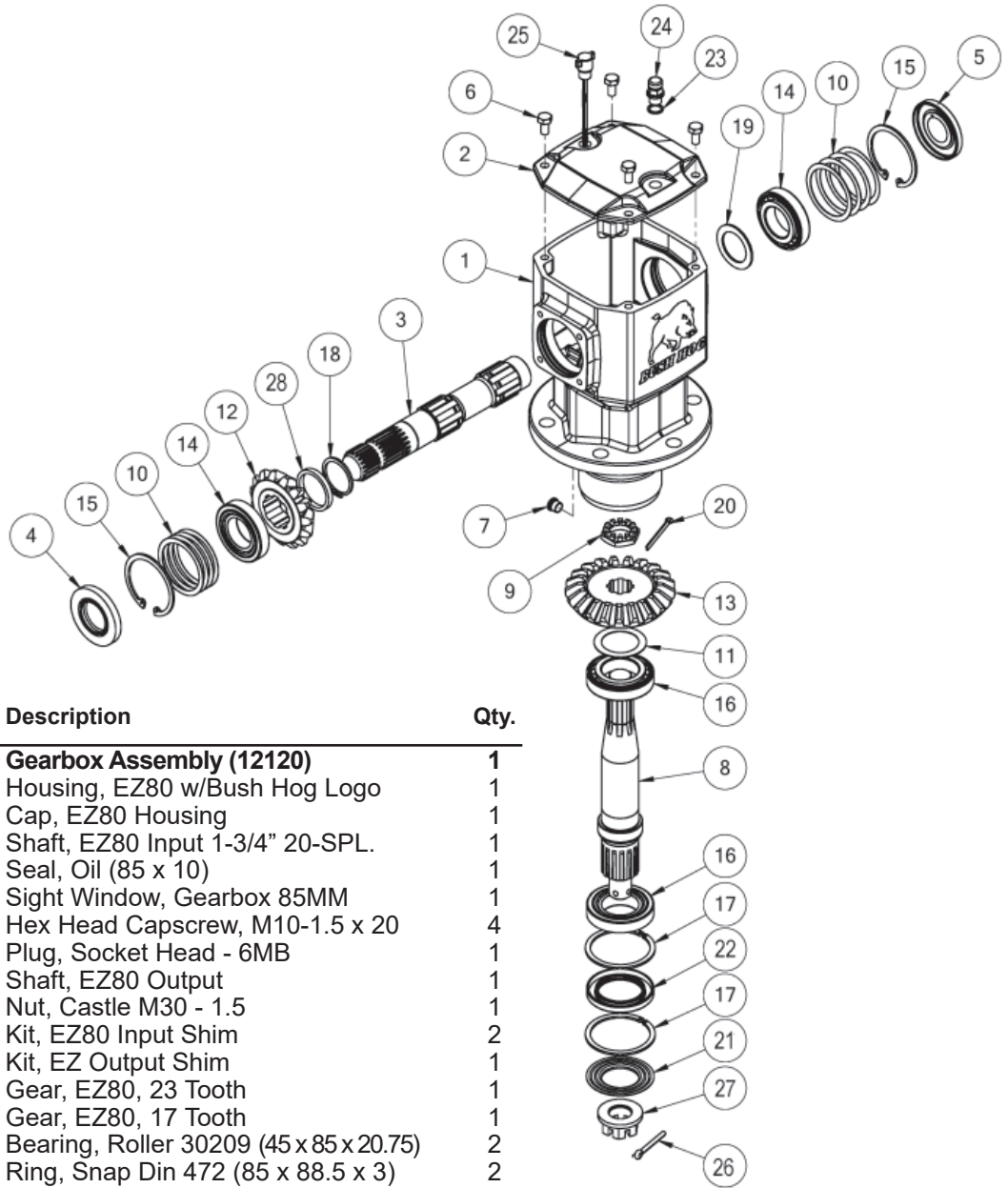
*Item 17 is not part of 71500 or 50052768 Gearbox Assemblies and must be ordered separately.

00791801BH - CENTER GEARBOX ASSY., EZ80, RATIO 1:1.35 MODEL 2120 (540 RPM)



Item No.	Part No.	Description	Qty.
	00791801BH	Gearbox Assembly (2120)	1
1	-----	Housing, EZ80 w/Bush Hog Logo	1
2	00791063	Cap, EZ80 Housing	1
3	00791064	Shaft, EZ80 Input 1-3/4" 20-SPL	1
4	50068116	Seal, Oil (85 x 10)	1
5	50074092	Sight Window, Gearbox 85MM	1
6	44390BH	Hex Head Capscrew, M10-1.5 x 20	4
7	00791032	Plug, Socket Head - 6MB	1
8	00791065	Shaft, EZ80 Output	1
9	00755621	Nut, Castle M30 - 1.5	1
10	00791066	Kit, EZ80 Input Shim	2
11	00791067	Kit, EZ Output Shim	1
12	-----	Gear, EZ80, 23 Tooth	1
13	-----	Gear, EZ80, 17 Tooth	1
14	70796	Bearing, Roller 30209 (45 x 85 x 20.75)	2
15	00755618	Ring, Snap Din 472 (85 x 88.5 x 3)	2
16	70800	Bearing, Roller 30210 (50 x 90 x 21.75)	2
17	00791083	Ring, Snap Din 472 (90 x 93.5 x 3)	2
18	2516460	Ring, Snap Ext. (50 x 47 x 3)	1
19	00755632	Shim (45.3 x 65.3 x 2.5)	1
20	70499	Pin, Cotter M5 x 63	1
21	00791085	Shield, Protective	1
22	00791084	Seal, Oil DBL. Lip 60 x 90 x 10	1
23	00790983	Washer, Sealing M16	1
24	00790985	Plug, Vent M16-1.5	1
25	4038611	Dipstick, Oil EZ80	1
26	2716423	Pin, Cotter M6 x 60	1
27	00791093	Nut, Castle M30-2.0	1
28	00791807	Kit, EZ80 Gear 1:1.35 Ratio (consists of items 12 & 13)	1

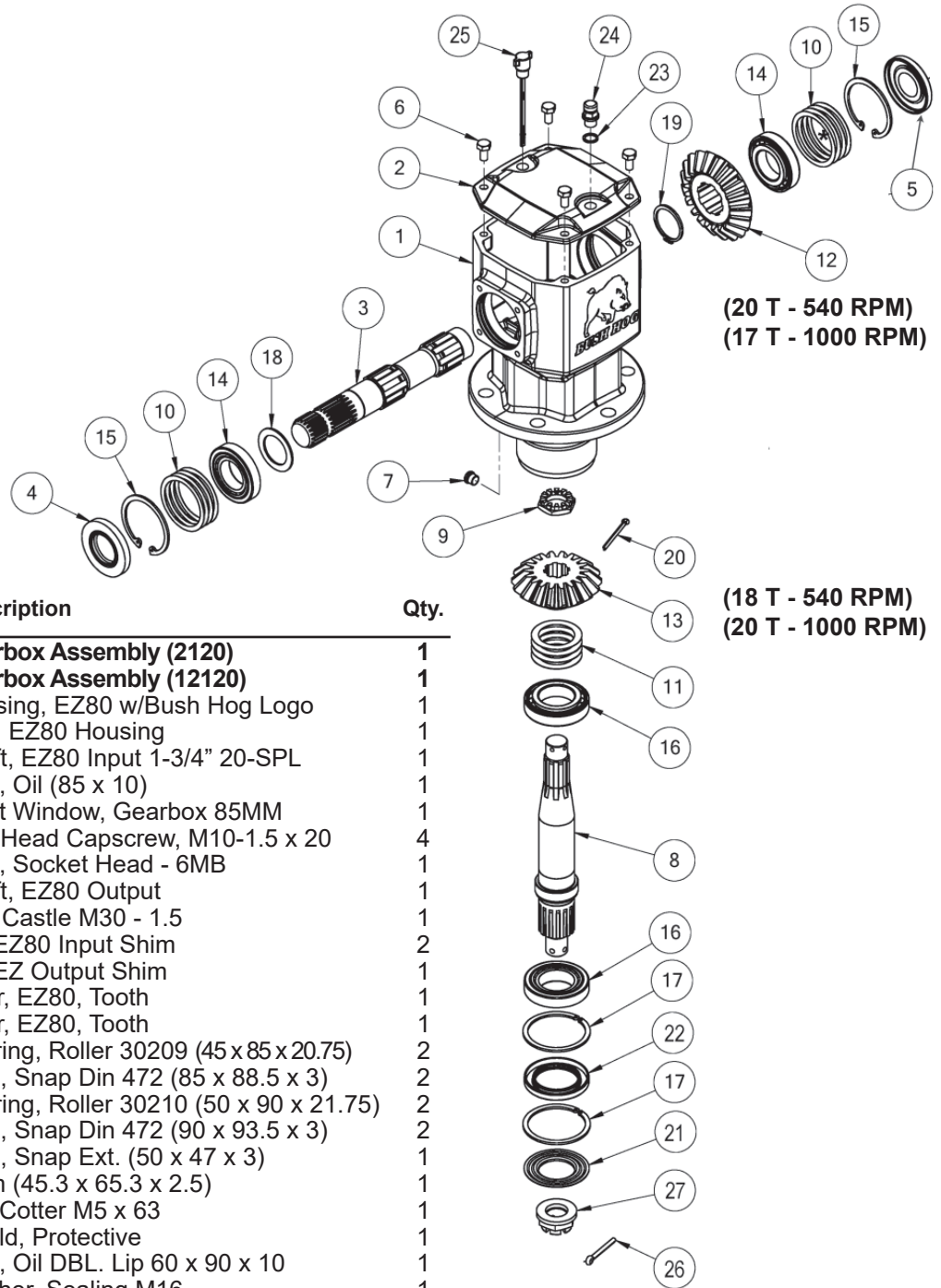
00791800BH - CENTER GEARBOX ASSY., EZ80,RATIO 1.40:1 MODEL 12120 (1000 RPM)



Item No.	Part No.	Description	Qty.
	00791800BH	Gearbox Assembly (12120)	1
1	-----	Housing, EZ80 w/Bush Hog Logo	1
2	00791063	Cap, EZ80 Housing	1
3	00791064	Shaft, EZ80 Input 1-3/4" 20-SPL.	1
4	50068116	Seal, Oil (85 x 10)	1
5	50074092	Sight Window, Gearbox 85MM	1
6	44390BH	Hex Head Capscrew, M10-1.5 x 20	4
7	00791032	Plug, Socket Head - 6MB	1
8	00791065	Shaft, EZ80 Output	1
9	00755621	Nut, Castle M30 - 1.5	1
10	00791066	Kit, EZ80 Input Shim	2
11	00791067	Kit, EZ Output Shim	1
12	-----	Gear, EZ80, 23 Tooth	1
13	-----	Gear, EZ80, 17 Tooth	1
14	70796	Bearing, Roller 30209 (45x85x20.75)	2
15	00755618	Ring, Snap Din 472 (85 x 88.5 x 3)	2
16	70800	Bearing, Roller 30210 (50 x 90 x 21.75)	2
17	00791083	Ring, Snap Din 472 (90 x 93.5 x 3)	2
18	2516460	Ring, Snap Ext. (50 x 47 x 3)	1
19	00755632	Shim (45.3 x 65.3 x 2.5)	1
20	70499	Pin, Cotter M5 x 63	1
21	00791085	Shield, Protective	1
22	00791084	Seal, Oil DBL. Lip 60 x 90 x 10	1
23	00790983	Washer, Sealing M16	1
24	00790985	Plug, Vent M16-1.5	1
25	4038611	Dipstick, Oil EZ80	1
26	2716423	Pin, Cotter M6 x 60	1
27	00791093	Nut, Castle M30-2.0	1
28	00790871	Spacer, Gear 50.2 x 60.7	1
29	00791806	Kit, EZ80 Gear 1:1.35 Ratio (consists of items 12 & 13)	1

**00791802BH - RH WING GEARBOX ASSY., EZ80,RATIO 1:1.111
MODEL 2120 (540 RPM)**

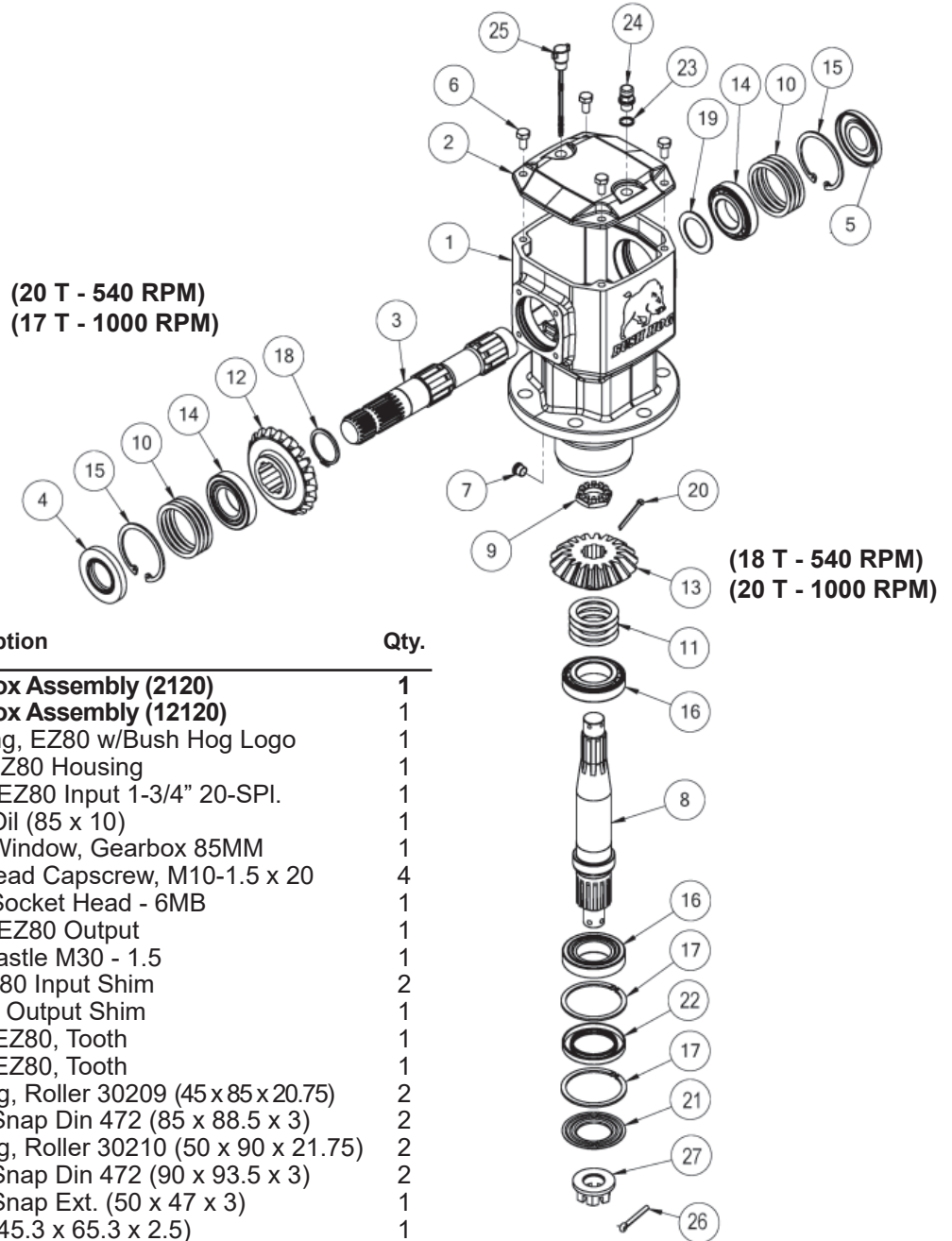
**00791805BH - RH WING GEARBOX ASSY., EZ80,RATIO 1.176:1
MODEL 12120 (1000 RPM)**



Item No.	Part No.	Description	Qty.
	00791802BH	Gearbox Assembly (2120)	1
	00791805BH	Gearbox Assembly (12120)	1
1	-----	Housing, EZ80 w/Bush Hog Logo	1
2	00791063	Cap, EZ80 Housing	1
3	00791064	Shaft, EZ80 Input 1-3/4" 20-SPL	1
4	50068116	Seal, Oil (85 x 10)	1
5	50074092	Sight Window, Gearbox 85MM	1
6	44390BH	Hex Head Capscrew, M10-1.5 x 20	4
7	00791032	Plug, Socket Head - 6MB	1
8	00791065	Shaft, EZ80 Output	1
9	00755621	Nut, Castle M30 - 1.5	1
10	00791066	Kit, EZ80 Input Shim	2
11	00791067	Kit, EZ Output Shim	1
12	-----	Gear, EZ80, Tooth	1
13	-----	Gear, EZ80, Tooth	1
14	70796	Bearing, Roller 30209 (45 x 85 x 20.75)	2
15	00755618	Ring, Snap Din 472 (85 x 88.5 x 3)	2
16	70800	Bearing, Roller 30210 (50 x 90 x 21.75)	2
17	00791083	Ring, Snap Din 472 (90 x 93.5 x 3)	2
18	2516460	Ring, Snap Ext. (50 x 47 x 3)	1
19	00755632	Shim (45.3 x 65.3 x 2.5)	1
20	70499	Pin, Cotter M5 x 63	1
21	00791085	Shield, Protective	1
22	00791084	Seal, Oil DBL. Lip 60 x 90 x 10	1
23	00790983	Washer, Sealing M16	1
24	00790985	Plug, Vent M16-1.5	1
25	4038611	Dipstick, Oil EZ80	1
26	2716423	Pin, Cotter M6 x 60	1
27	00791093	Nut, Castle M30-2.0	1
28	00791808	Kit, EZ80 Gear 1:1.111 Ratio	1
	00791809	Kit, EZ80 Gear 1.176:1 Ratio (consists of items 12 & 13)	1

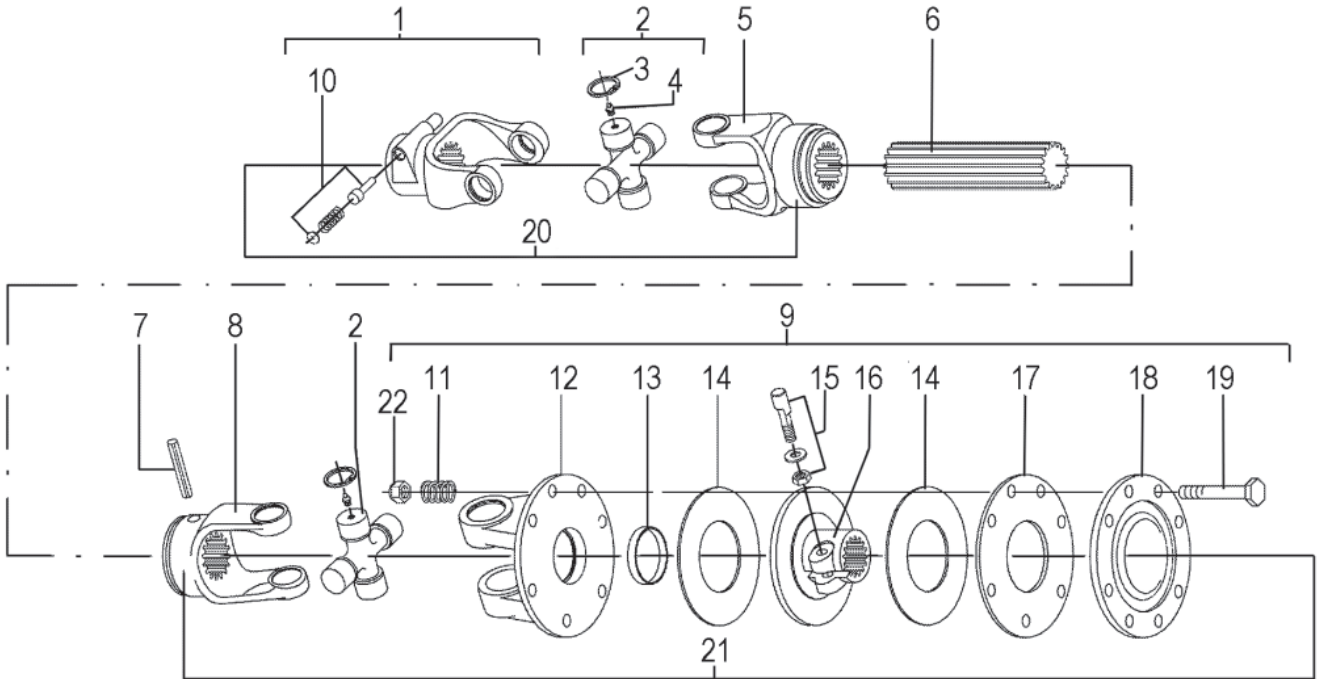
**00791803BH - LH WING GEARBOX ASSY., EZ80,RATIO 1:1.111
MODEL 2120 (540 RPM)**

**00791804BH - LH WING GEARBOX ASSY., EZ80,RATIO 1.176:1
MODEL 12120 (1000 RPM)**



Item No.	Part No.	Description	Qty.
	00791803BH	Gearbox Assembly (2120)	1
	00791804BH	Gearbox Assembly (12120)	1
1	-----	Housing, EZ80 w/Bush Hog Logo	1
2	00791063	Cap, EZ80 Housing	1
3	00791064	Shaft, EZ80 Input 1-3/4" 20-SPI.	1
4	50068116	Seal, Oil (85 x 10)	1
5	50074092	Sight Window, Gearbox 85MM	1
6	44390BH	Hex Head Capscrew, M10-1.5 x 20	4
7	00791032	Plug, Socket Head - 6MB	1
8	00791065	Shaft, EZ80 Output	1
9	00755621	Nut, Castle M30 - 1.5	1
10	00791066	Kit, EZ80 Input Shim	2
11	00791067	Kit, EZ Output Shim	1
12	-----	Gear, EZ80, Tooth	1
13	-----	Gear, EZ80, Tooth	1
14	70796	Bearing, Roller 30209 (45 x 85 x 20.75)	2
15	00755618	Ring, Snap Din 472 (85 x 88.5 x 3)	2
16	70800	Bearing, Roller 30210 (50 x 90 x 21.75)	2
17	00791083	Ring, Snap Din 472 (90 x 93.5 x 3)	2
18	2516460	Ring, Snap Ext. (50 x 47 x 3)	1
19	00755632	Shim (45.3 x 65.3 x 2.5)	1
20	70499	Pin, Cotter M5 x 63	1
21	00791085	Shield, Protective	1
22	00791084	Seal, Oil DBL. Lip 60 x 90 x 10	1
23	00790983	Washer, Sealing M16	1
24	00790985	Plug, Vent M16-1.5	1
25	4038611	Dipstick, Oil EZ80	1
26	2716423	Pin, Cotter M6 x 60	1
27	00791093	Nut, Castle M30-2.0	1
28	00791808	Kit, EZ80 Gear 1:1.111 Ratio	1
	00791809	Kit, EZ80 Gear 1.176:1 Ratio (consists of items 12 & 13)	1

50082276 - DRIVELINE ASSY W/CLUTCH (CENTER) 1-3/4" - 20 Spline, ASAE Size 4 For 2120 & 12120 Models

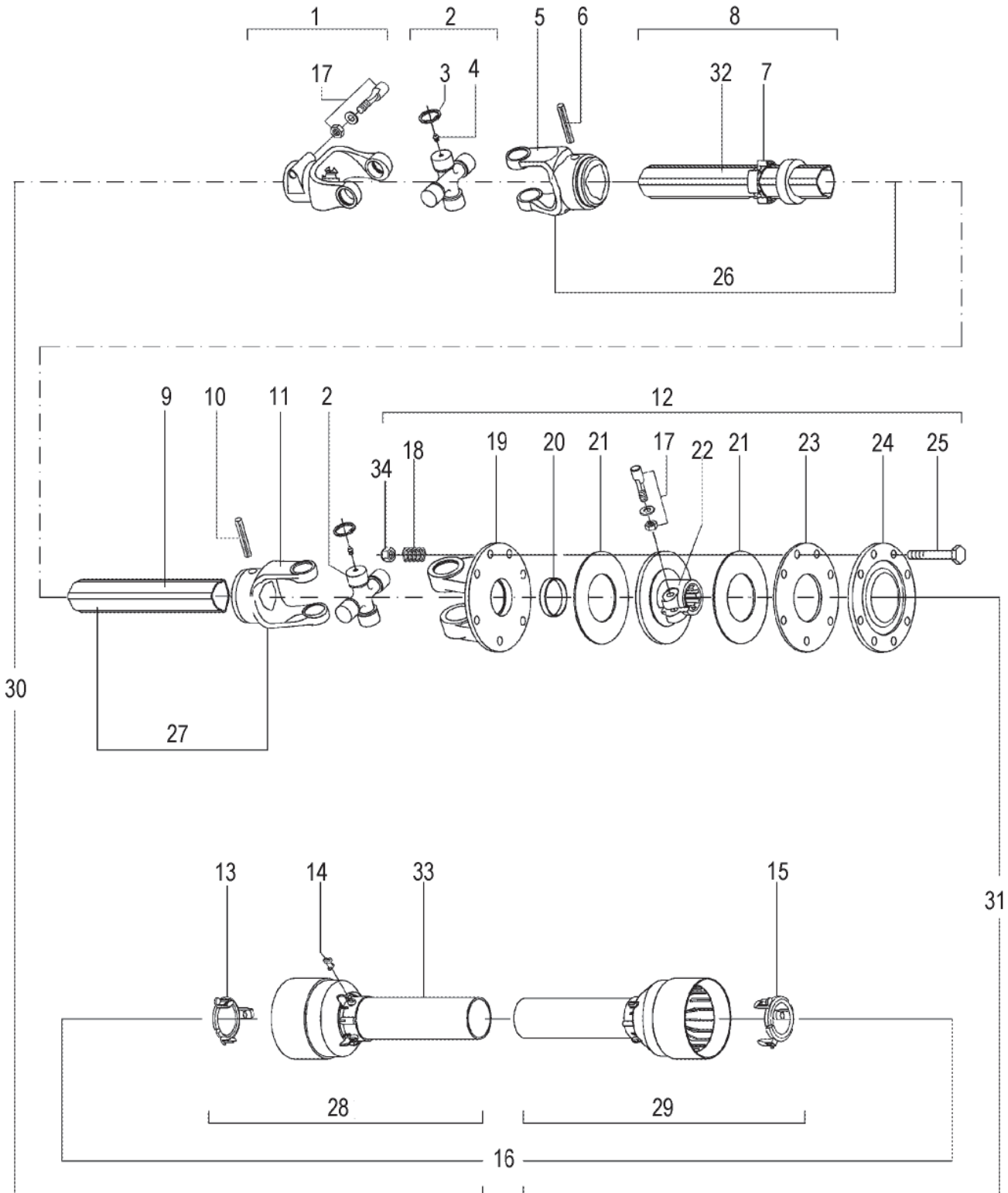


Item No.	Part No.	Description	Qty.	Item No.	Part No.	Description	Qty.
	50082276	Driveline Assembly w/Clutch	1	12	76164	Flanged Yoke	1
1	76996	Complete Yoke 115	1	13	76082	Bushing	1
2	50060543	Cross Journal Set	2	14	76083	Lining Ring	2
3	-----	Circlip	8	15	76247	Tapered Pin Set, 1-3/4"	1
4	76335	Grease Nipple	2	16	76309	Clutch Support, F49	1
5	50060544	Special Outer Yoke	1	17	76085	Inner Plate	1
6	50083017	Splined Shaft, L=310	1	18	76086	Pressure Plate	1
7	66869	Roll Pin for Inner Tube	1	19	44155BH	Capscrew, M10 x 1.5 x 85	8
8	66870	Inner Yoke	1	20	-----	U-Joint for Inner Tube	1
9	76308	Complete Disc Clutch (1040 Nm)	1	21	-----	U-Joint for Inner Tube	1
10	50017503	Complete Collar Yoke CD3, CV	1	22	44154BH	Locknut, M10 x 1.5 C9 CP	8
11	76080	Spring	8				

50081322 - DRIVELINE ASSY W/CLUTCH (WING)

1-3/4" - 20 Spline, ASAE Size 4

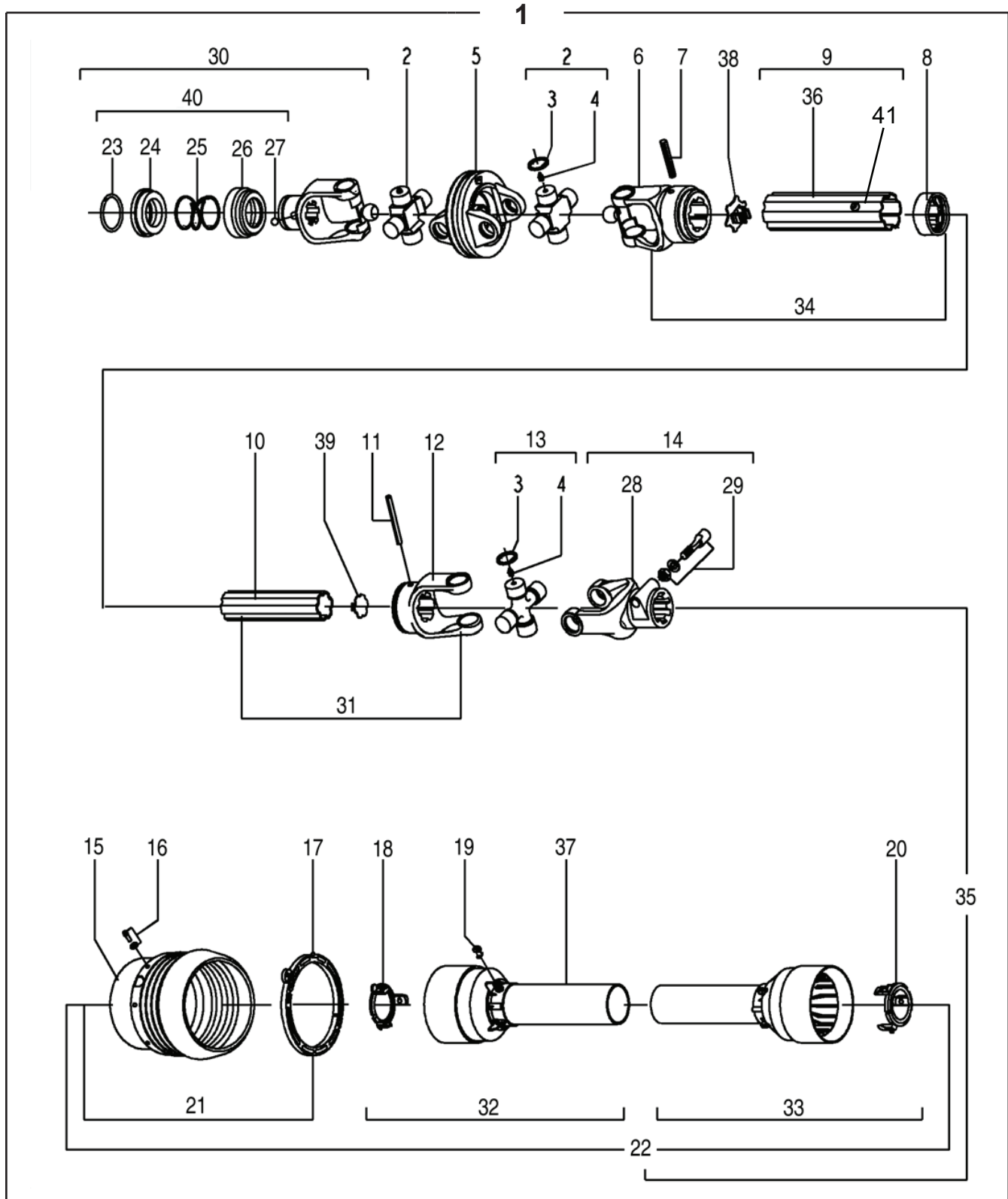
For 2120 & 12120 Models



50081322 - DRIVELINE ASSY W/CLUTCH (WING) 1-3/4" - 20 Spline, ASAE Size 4 For 2120 & 12120 Models

Item No.	Part No.	Description	Qty.
	50081322	Driveline Assembly w/Clutch	1
1	76422	Complete Yoke 155	1
2	50060543	Cross Journal Set	2
3	-----	Circlip	8
4	76335	Grease Nipple	1
5	66865	Outer Yoke	1
6	66866	Roll Pin for Outer Pin	1
7	50064188	Bush w/Grease Fitting	1
8	50083014	Complete Outer Tube	1
9	50083015	Inner Tube	1
10	66869	Roll Pin for Inner Tube	1
11	66870	Inner Yoke	1
12	76308	Complete Disc Clutch (1040 Nm)	1
13	50056417	Guard Retaining Collar for Outer Tube	1
14	50056404	Bolt	6
15	50056418	Guard Retaining Collar for Inner Tube	1
16	50083016	Complete Guard w/Instruction Manual	1
17	76247	Tapered Pin Set, 1-3/4"	2
18	76080	Spring	8
19	76164	Flanged Yoke	1
20	76082	Bush	1
21	76083	Lining Ring	2
22	76309	Clutch Support F49	1
23	76085	Inner Plate	1
24	76086	Pressure Plate	1
25	44155BH	Hex Head Capscrew, M10 x 1.5 x 85	8
26	-----	Female Tube w/Yoke & Grease System	1
27	-----	Male Tube w/Yoke	1
28	-----	Half Female Guarding w/Label	1
29	-----	Half Male Guarding	1
30	-----	Half Female Shaft w/Guarding	1
31	-----	Half Male Shaft w/Guarding	1
32	78786	Decal, Danger Label for Outer Tube	1
33	78608	Decal, Danger Label for Outer Tube	1
34	44154BH	Locknut, M10 x 1.5 C9 CP	8

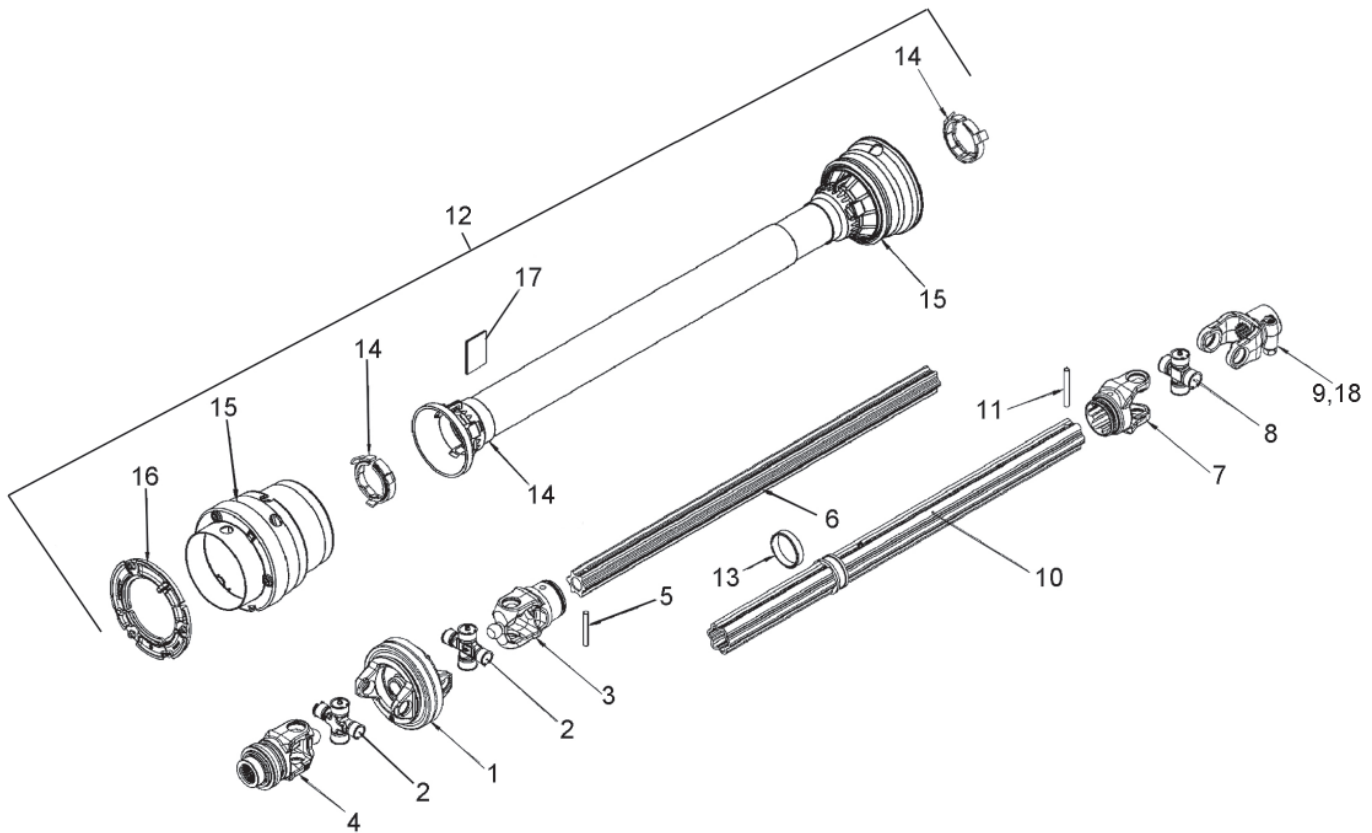
50069764SP - C.V. DRIVESHAFT
Input: 1-3/8" - 6 Spline, ASAE Size 6
Manufactured By Comer / EG
2120 (540 RPM Models)



50069764SP - C.V. DRIVESHAFT
Input: 1-3/8" - 6 Spline, ASAE Size 6
Manufactured By Comer / EG
2120 (540 RPM Models)

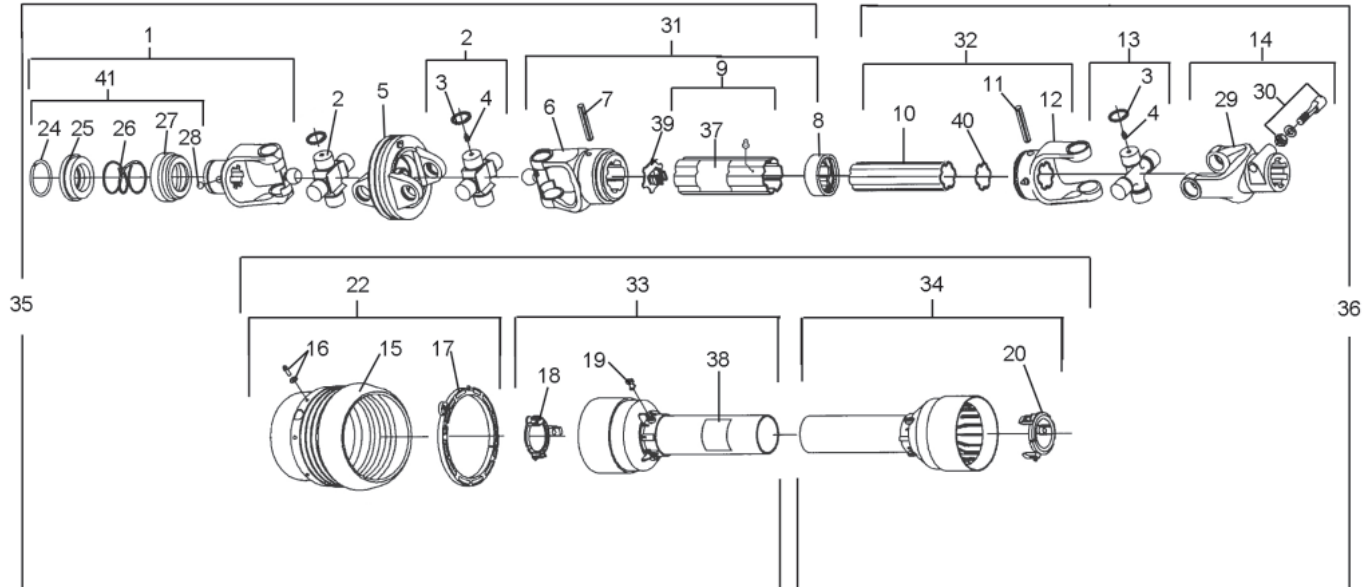
Item No.	Part No.	Description	Qty.
1	50069764SP	Driveshaft Assembly	1
2	50056400	Cross Journal Set	2
3	- - - - -	Circlip	12
4	76335	Grease Nipple	3
5	76357	Wide Angle Double Yoke	1
6	76896	Outer Yoke	1
7	67108	Roll Pin - Outer & Inner Tube	1
8	76897	Wiper	1
9	50071242	Complete Outer Tube	1
10	50071243	Inner Tube	1
11	67085	Roll Pin for Inner Tube	1
12	50071244	Inner Yoke	1
13	50056401	Cross Journal Set	1
14	76239BH	Complete Yoke	1
15	- - - - -	Guard Cone	1
16	76362	Screw Kit	6
17	50056402	Bearing Ring	1
18	50056403	Guard Ret. Collar - Outer Tube	1
19	50056404	Bolt	6
20	50056405	Guard Ret. Collar - Inner Tube	1
21	50056406	Guard Cone Set	1
22	50071245	Complete Guard w/Instruction Manual	1
23	- - - - -	Outer Circlip	1
24	- - - - -	Sliding Sleeve Collar	1
25	- - - - -	Spring	1
26	- - - - -	Fixed Sleeve	1
27	- - - - -	Ball, 1/2"	3
28	- - - - -	Yoke (See Item 14)	1
29	76247	Tapered Pin Set 1-3/4"	1
30	50017504	Yoke Assy - 1-3/8" - 6 Spline	1
31	- - - - -	Male Tube w/Yoke	1
32	- - - - -	Half Female Guarding w/Label	1
33	- - - - -	Half Male Guarding (See item 22)	1
34	- - - - -	Female Shaft (See Item 1)	1
35	50071246	Half Male Shaft w/Guarding	1
36	78786	Decal, Danger - Outer Tube	1
37	78608	Decal, Danger - Outer Guard Tube	1
38	76899	Plastic Cap - Outer Tube	1
39	50071247	Plastic Cap - Inner Tube	1
40	50017480	Kit Collar for Yoke 1-3/8"	1
41	50075570	Grease Fitting	1

50081633SP - C.V. DRIVESHAFT 1-3/8" - 21 ASAE Size 5 12120 (1000 RPM Models)



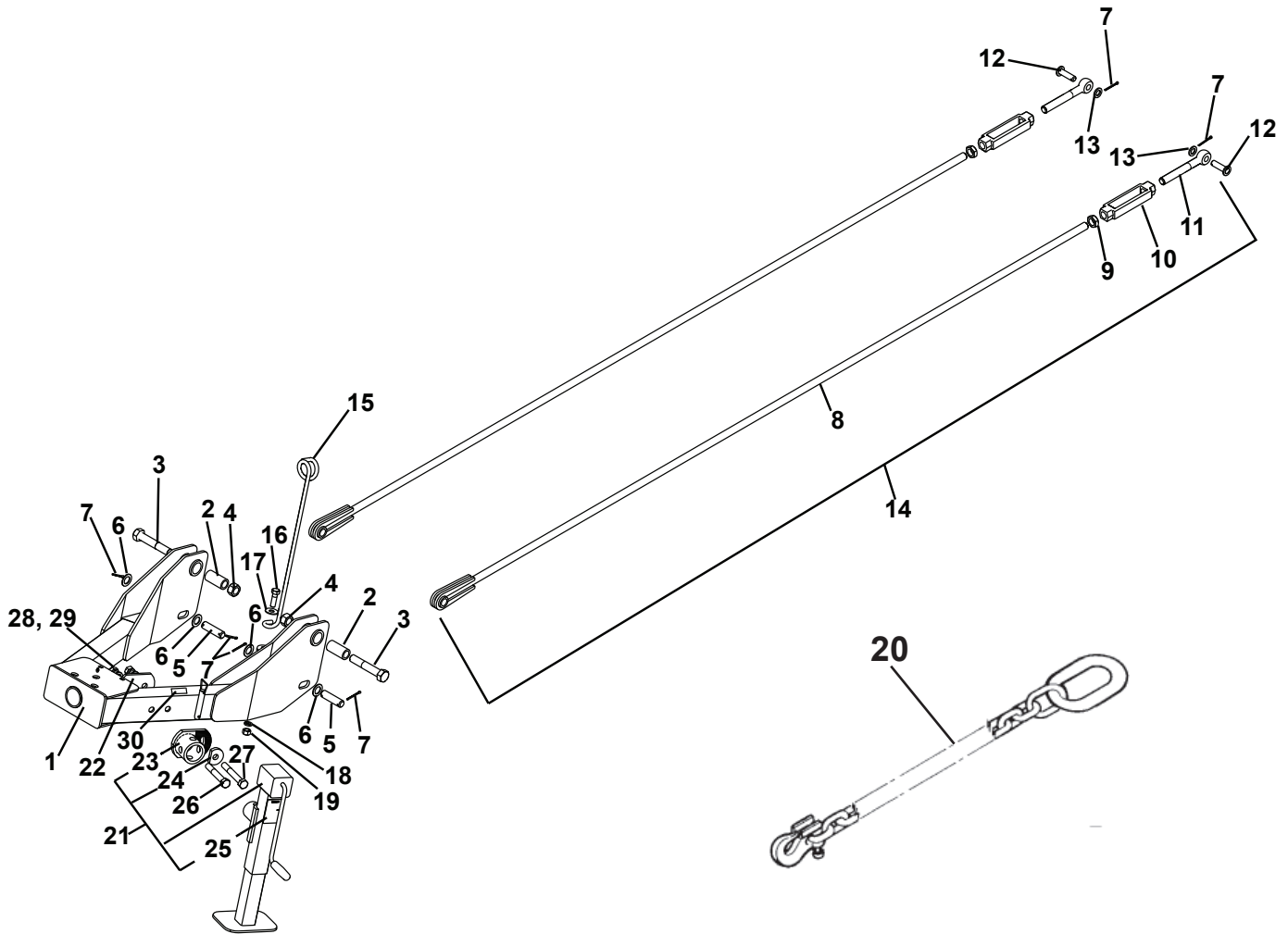
Item No.	Part No.	Description	Qty.
	50081633SP	Driveshaft Asy., Cv 1-3/8" - 21 ASAE 5	1
1	50083031	CV Body	1
2	50083032	Universal Joint Assy.	2
3	50083033	Inner Tube CV Yoke	1
4	50083034	CV End Yoke with Quick Lock	1
5	BH000-016E	Roll Pin 10 x 70	1
6	50083035	Inner Tube	1
7	50083036	Outer Tube Yoke	1
8	50083037	Universal Joint Assy	1
9	50083038	End Yoke with Conic Bolt	1
10	50083039	Outer Tube	1
11	00756934	Pin, Roll 10 x 80	1
12	50083040	CV Safety Guard Group	1
13	50081645	Nylon Sleeve	1
14	50081649	Retainer/Clip Evolution Series	2
15	50083043	CV Cone Kit	1
16	50083044	Wide Angle Retainer	1
17	-----	End User Manual	1
18	50084287	Conic Bolt Kit	1

50074699SP - C.V. DRIVESHAFT
Input: 1-3/4" - 20 Spline ASAE Size 6
Manufactured by Comer / EG
12120 (1000 RPM Models)



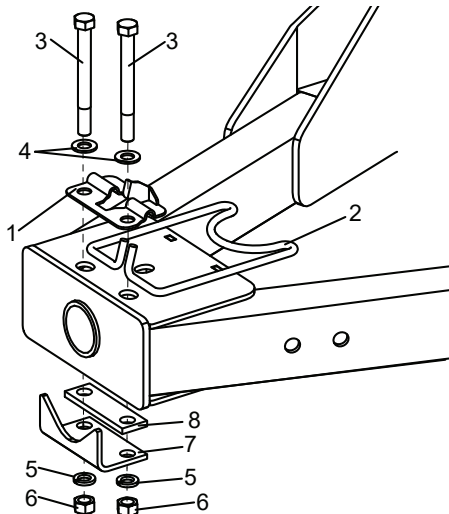
Item No.	Part No.	Description	Qty.	Item No.	Part No.	Description	Qty.
	50074699SP	Driveline, Assembly	1	22	50075192	Guard Cone Set	1
1	50056927	Complete Yoke	1	23	50075193	Complete Guard w/Instruct. Manual	1
2	50056400	Cross Journal Set	2	24	-----	Outer Circlip	1
3	-----	Circlip	12	25	-----	Sliding Sleeve Collar	1
4	76335	Grease Nipple	3	26	-----	Spring	1
5	76357	Wide Angle Double Yoke	1	27	-----	Fixed Sleeve	1
6	76896	Outer Yoke	1	28	-----	Ball, 1/2"	3
7	67108	Roll Pin - Outer & Inner Tube	1	29	-----	Yoke	1
8	76897	Wiper	1	30	76247	Tapered Pin Set, 1-3/4"	1
9	50075190	Complete Outer Tube	1	31	-----	Female Tube w/Yoke	1
10	50075191	Inner Tube	1	32	-----	Male Tube w/Yoke	1
11	67085	Roll Pin for Inner Tube	1	33	-----	Half Female Guarding w/Label	1
12	50071244	Inner Yoke	1	34	-----	Half Male Guarding	1
13	50056401	Cross Journal Set	1	35	-----	Half Female Shaft w/Guarding	1
14	76239BH	Complete Yoke	1	36	-----	Half Male Shaft w/Guarding	1
15	-----	Guard Cone	1	37	78786	Decal, Danger - Outer Tube	1
16	76362	Screw Kit	6	38	78608	Decal, Danger - Outer Guard Tube	1
17	50056402	Bearing Ring	1	39	76899	Plastic Cap - Outer Tube	1
18	50056403	Guard Ret. Collar - Outer Tube	1	40	50071247	Plastic Cap - Inner Tube	1
19	50056404	Bolt	6	41	50017502	Kit Collar for Yoke 1-3/4"	1
20	50056405	Guard Ret. Collar - Inner Tube	1				

TONGUE, LEVELING ROD & RELATED PARTS 2120 & 12120 MODELS



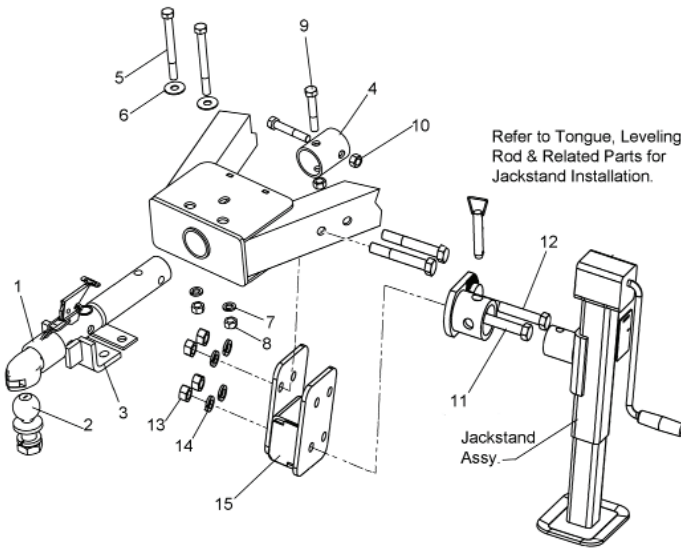
Item No.	Part No.	Description	Qty.	Item No.	Part No.	Description	Qty.
1	50069248	Weldment Tongue	1	16	20947	Capscrew, 5/8" x 2" Gr. 5	1
2	50054456	Bushing, Sleeve	2	17	15925	Flatwasher, 5/8"	1
3	19137	Capscrew, 1" x 5-1/2" Gr. 5	2	18	19486	Lockwasher, 5/8"	1
4	9163200	Locknut, 1" Gr. C	2	19	15563	Hex Nut, 5/8"	1
5	50054389	Clevis Pin, 1.00" x 3.62"	2	20	91074	Safety Tow Chain	1
6	20376	Flatwasher, 1" SAE	4	21	00779350	Jackstand Assy. (includes items 23, 24 & 25)	1
7	20167	Cotter Pin, 3/16" x 2"	6	22	50069926	Mount Pad	1
8	50073822	Weldment, Leveling Rod	1	23	00779360	Weldment, Jack Bracket	1
9	15612	Jam Nut, 1"	1	24	00779361	Washer, Jack	1
10	53053BH	Turnbuckle	1	25	D482	Decal, Warning	1
11	60636	Turnbuckle End, Heat Treated	1	26	44064BH	Capscrew, 3/4" x 5" Gr. 5	1
12	14-32-49	Clevis Pin Weldment	2	27	19037	Capscrew, 3/4" x 5-1/2" Gr. 5	1
13	15921	Flatwasher, 3/4" SAE	2	28	146	Lockwasher, 3/4"	2
14	50073823	Leveling Rod Assembly (includes items 8-11)	2	29	19517	Hex Nut, 3/4"	2
15	12031	Rod, Hose Holder	1	30	D1085	Decal, Notice	1

DRIVELINE HOLDER ASSEMBLY For 2120 & 12120 Models



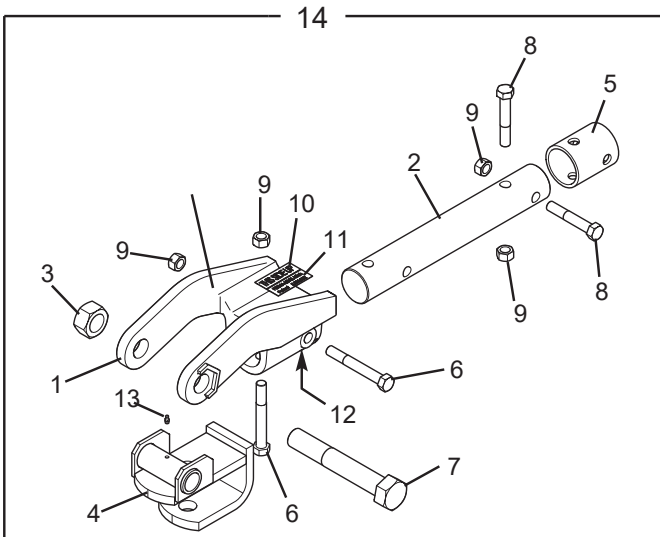
Item No.	Part No.	Description	Qty.
1	50054710	Mounting Bracket Weldment	1
2	50054711	Formed Driveline Holder	1
3	20923	Capscrew, 5/8" x 6"	2
4	20748	Flatwasher, 5/8" SAE	2
5	19486	Lockwasher, 5/8"	2
6	15563	Hex Nut, 5/8"	2
7	50051372	Formed Stop	1
8	50081373	Pad	1
9	-----	Instruction Sheet (50080870)	1

50072803 - BALL HITCH ASSEMBLY For 2120 & 12120 Models



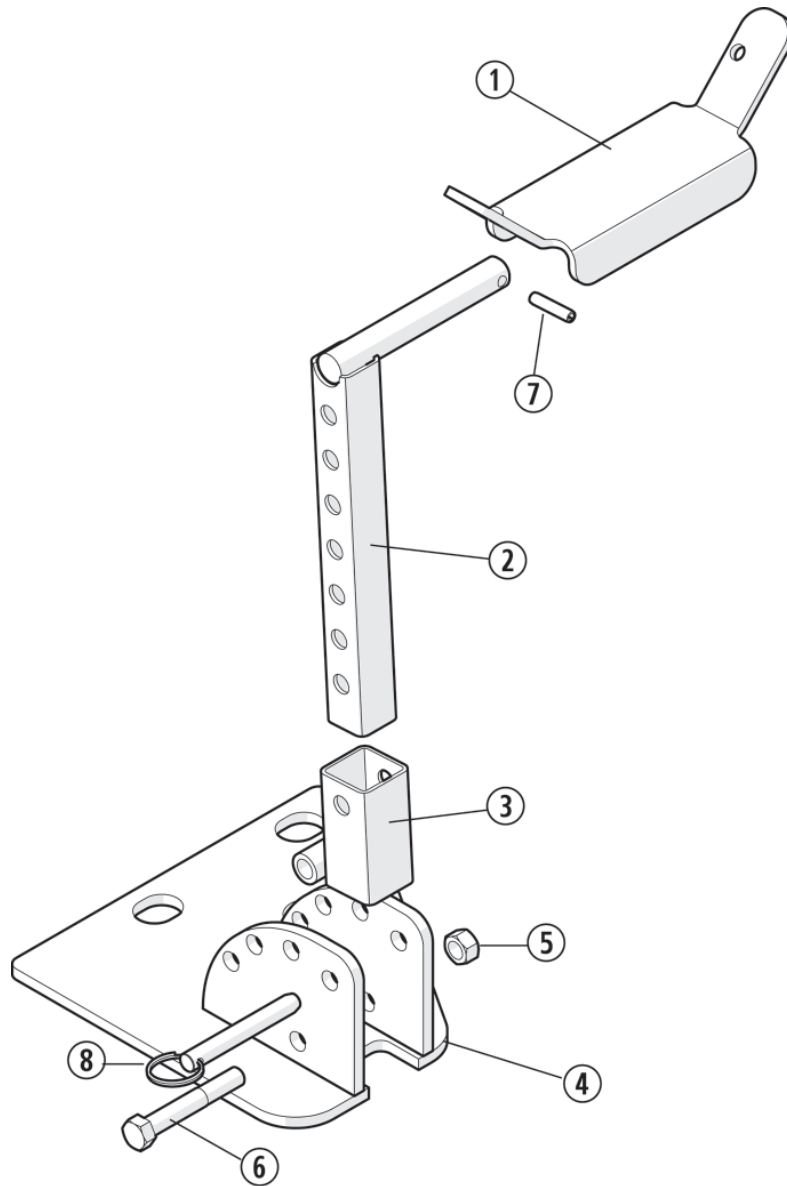
Item No.	Part No.	Description	Qty.
1	50072805	Weldment, Ball Hitch	1
2	50068048	Assembly, 2-5/16" Hitch Ball	1
3	50072808	Bracket, Mount Spacer	1
4	86356	Collar, Clevis Pin	2
5	20294	Capscrew, 5/8" x 6-1/2" Gr. 5	2
6	15925	Flatwasher, 5/8"	2
7	19486	Lockwasher, 5/8"	2
8	15563	Hex Nut, 5/8"	2
9	44120BH	Capscrew, 5/8" x 3-3/4" NF Gr. 5	2
10	15516	Locknut, 5/8" NF, Gr. C	2
11	19037	Capscrew, 3/4" x 5-1/2" G5	1
12	20207	Capscrew, 3/4" x 6" G5 ZP	1
13	19517	Hex Nut, 3/4" CP	2
14	146	Lockwasher, 3/4" ZP	2
15	50082534	Jack Mount Adaptor Weldment	1

SWIVEL PIVOT HITCH For 2120 & 12120 Models



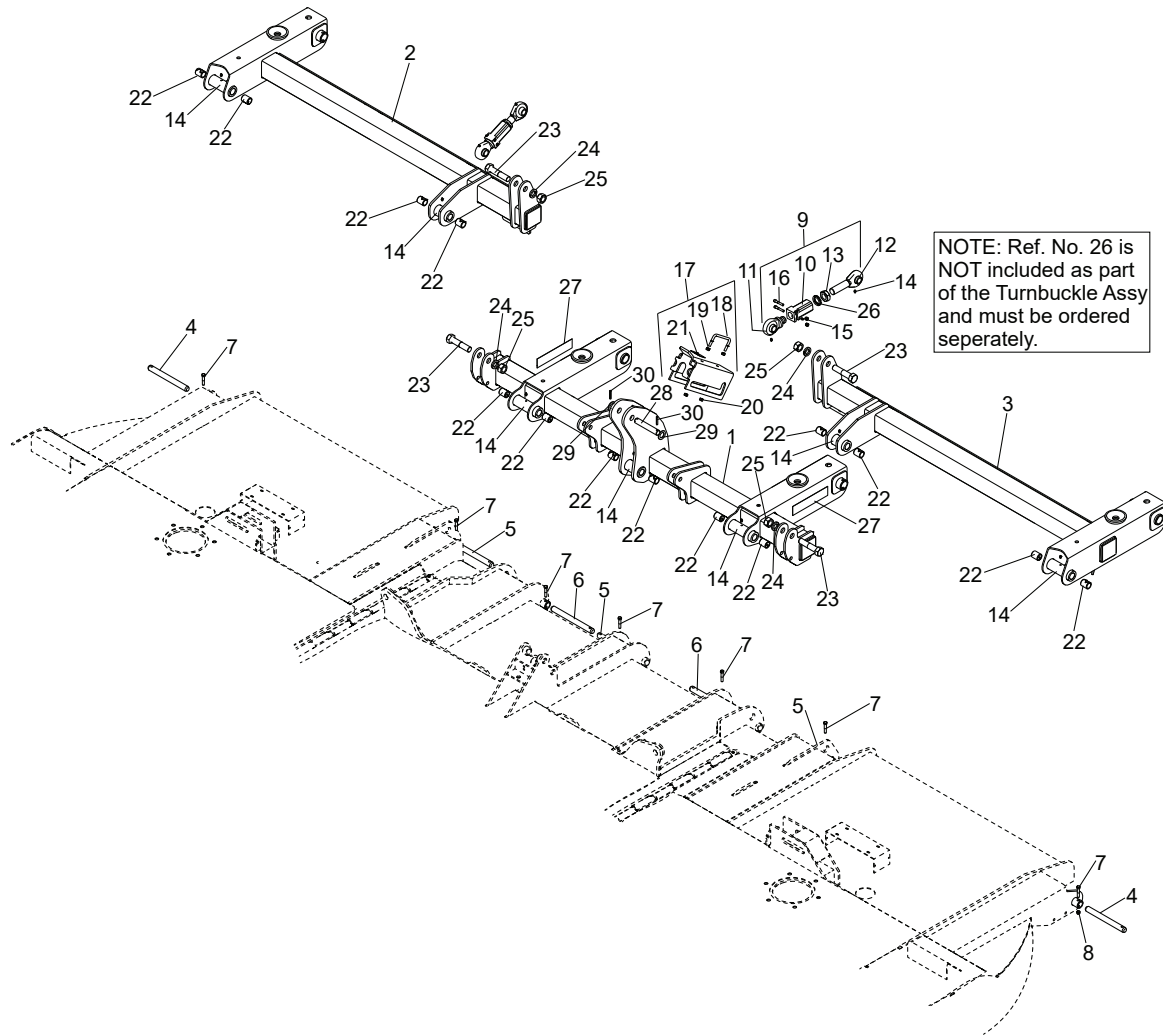
Item No.	Part No.	Description	Qty.
1	50074196	Hitch w/Decals	1
2	50074187	Shaft	1
3	15521	Locknut, 1-1/4" Gr. C	1
4	50080681	Clevis Assembly	1
5	86356	Collar	1
6	-----	Capscrew, 5/8" x 4-3/4" Gr. 5	2
7	45324	Capscrew, 1-1/4" x 8" Gr. 5	1
8	44168BH	Capscrew, 5/8" x 3-3/4" Gr. 5	2
9	15598BH	Locknut, 5/8"	4
10	50035874	Decal, Direction	1
11	97692	Decal, Patent	1
12	50045639	Decal, Direction	1
13	449BH	Grease Fitting	1
14	50054505SP	Swivel Pivot Hitch Assembly	1

DRIVELINE HOLDER EZ MOUNT 2120 & 12120 MODELS



Item No.	Part No.	Description	Qty.
	50077430	EZ Mount Driveline Holder Assy.	1
1	50077435	Saddle Weldment	1
2	50077434	Adjustment Tube Weldment	1
3	50077433	Pivot Mount	1
4	50077634	Base Weldment w/Decal	1
5	20363	Locknut, 3/8"	1
6	20224	Bolt 3/8" x 2-1/2" Gr. 5	1
7	44533	Roll Pin, 7/32" x 1"	1
8	50077436	Quick Pin	1

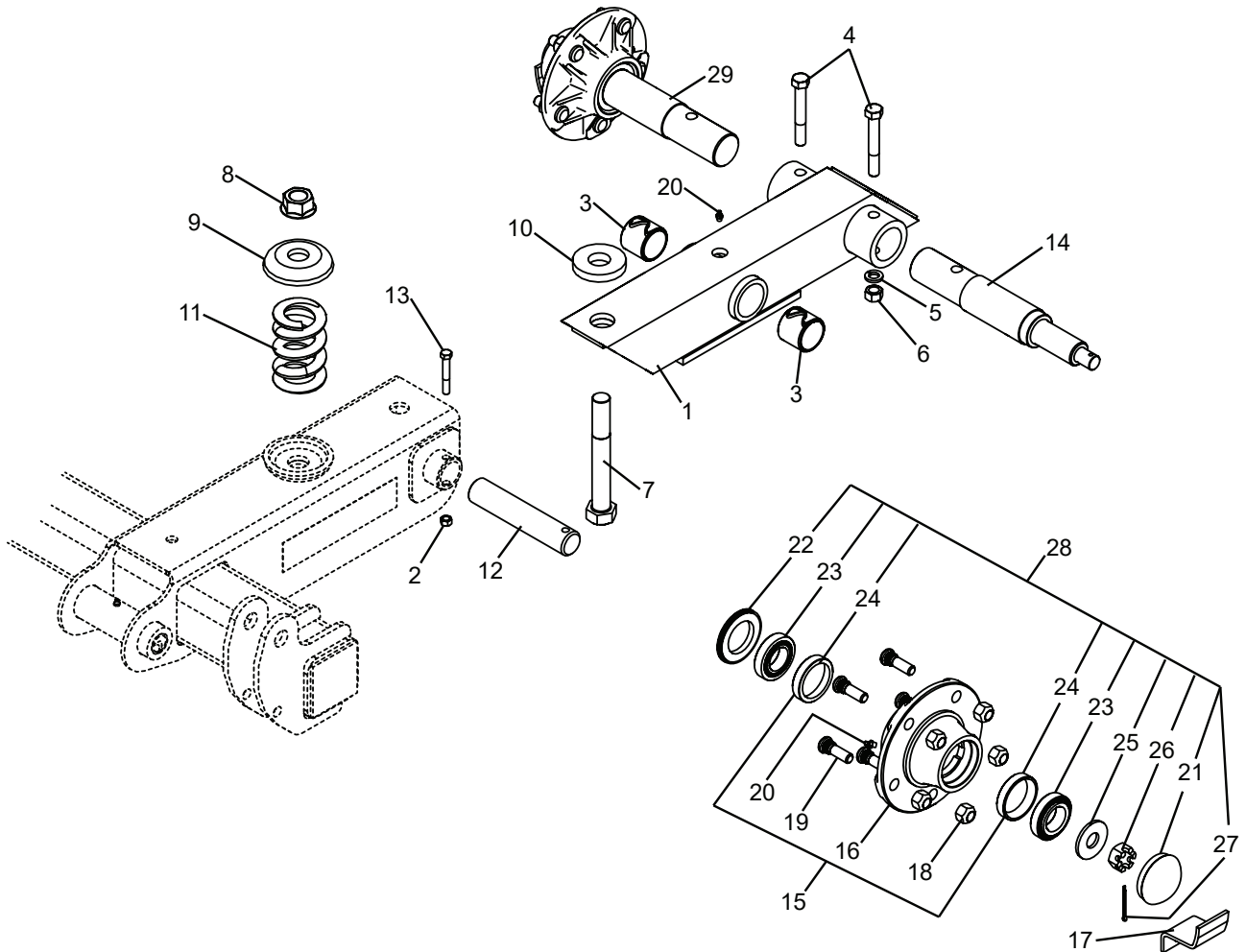
AXLE ASSEMBLY (SWIVEL TURNBUCKLE) & RELATED PARTS 2120 & 12120 MODELS



Item No.	Part No.	Description	Qty.	Item No.	Part No.	Description	Qty.
1	50072699	Axle Weldment, Center	1	16	45185BH	Capscrew, Soc, Hd. 5/16" x 2" Gr. 5	2
2	50072695	Wing Axle Weldment, RH	1	17	50074203	Transport Lockout Assembly	1
3	50072696	Wing Axle Weldment, LH	1	18	50027637	U-Bolt, Foot Platform	1
4	50029760	Pivot Pin, 1" x 9.88"	2	19	45073	Hex Nut, 3/8" YZ	2
5	50054387	Pivot Pin, 1" x 8"	3	20	45105BH	Locknut, 3/8" YZ	2
6	50028844	Pin, Long Center Axle, 1" x 10.5"	2	21	D544	Decal, Important	1
7	1161220	Capscrew, 3/8" x 2" Gr. 5	7	22	50021149	Spring Bushing, 1-1/4" x 1" x 1-1/2"	14
8	20363	Locknut, 3/8"	7	23	20547BH	Capscrew, 1" x 4-1/2" Gr. 5	4
9	50052742	Turnbuckle, Swivel Assembly	2	24	15821	Lockwasher, 1"	4
10	50052743	Body, Swivel	1	25	9163200	Locknut, 1" Gr. C	4
11	50052744	Rod Eye Assembly, Swivel	1	26	*50038405	Lockwasher, 1-1/4" 2 Pc Nord-Lock	2
12	50052745	Rod Eye Assembly, Threaded	1	27	50031212	Reflector, Amber 2" x 9"	2
13	50052746	Jam Nut, 1-1/4" Gr. 5	1	28	50069413	Cylinder Pin, 1" x 5.63"	1
14	449BH	Grease Fitting	10	29	20376	Flatwasher, 1" SAE	2
15	45186	Locknut, 5/16" Center Lock	2	30	20167	Cotter Pin, 3/16" x 2	2

*Not included in 50052742 Turnbuckle Assembly

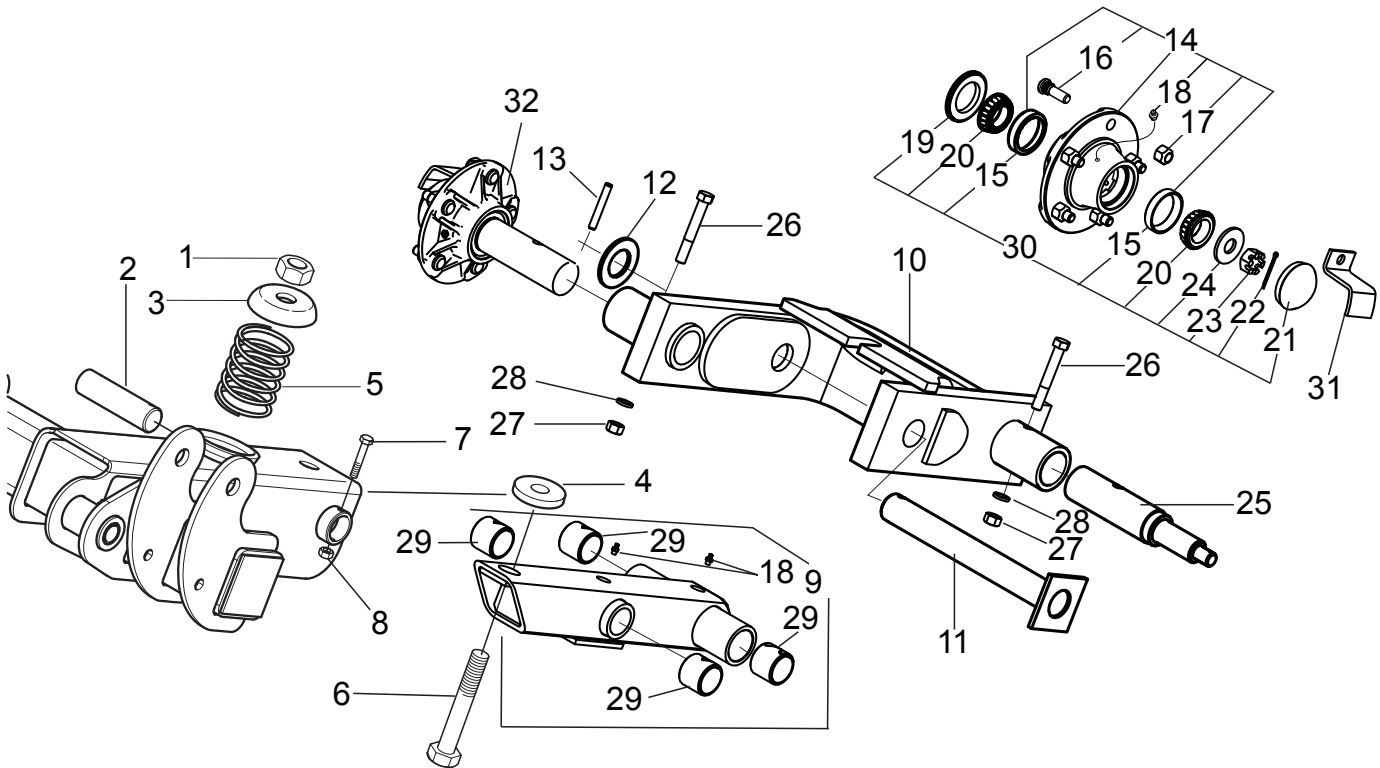
AXLE ARMS, SINGLE, DUAL SPINDLE & RELATED PARTS 2120 & 12120 MODELS



Item No.	Part No.	Description	Qty.	Item No.	Part No.	Description	Qty.
	50073180	Dual Axle Assembly	1	14	50073119	Single Spindle	A/R
	50073179	Single Axle Assembly, LH	1	15	50035740	Hub Assy w/Studs, Cups, & Gr. Fitting	A/R
	50073178	Single Axle Assembly, RH	1	16	-----	Hub	1
1	50073133	Tube Assembly, Single & Dual	4	17	00779390	Retainer, Hub Cap	1
2	20363	Locknut, 3/8"	4	18	15515BH	Lug Nut, 1/2"	5
3	50028543	Spring Bushing, 1-1/2"	A/R	19	15445	Lug Bolt	5
4	20779	Cascrew, 1/2" x 3-1/2" Gr. 5	A/R	20	449BH	Grease Fitting	A/R
5	15806	Lockwasher, 1/2"	A/R	21	14-6-243	Hub Cap	1
6	15554	Locknut, 1/2"	A/R	22	7967	Seal	1
7	20860	Cascrew, 1" x 7-1/2"	4	23	50076BH	Bearing Cone	2
8	44524BH	Flanged Locknut, 1"	4	24	14-6-197	Bearing Cup	2
9	91152	Spring Cup	4	25	15920	Flatwasher, 3/4"	1
10	91261	Rubber Cushion	4	26	120BH	Hex Nut, Slotted, 3/4"	1
11	50035301	Spring	4	27	296	Cotter Pin, 1/8" x 1-1/2"	1
12	50028461	Pivot Pin, 1.5" x 7.50"	4	28	50035756	Bearing Kit	A/R
13	20224	Cascrew, 3/8" x 2-1/2"	4	29	50073131	Spindle w/Hub Assembly	A/R

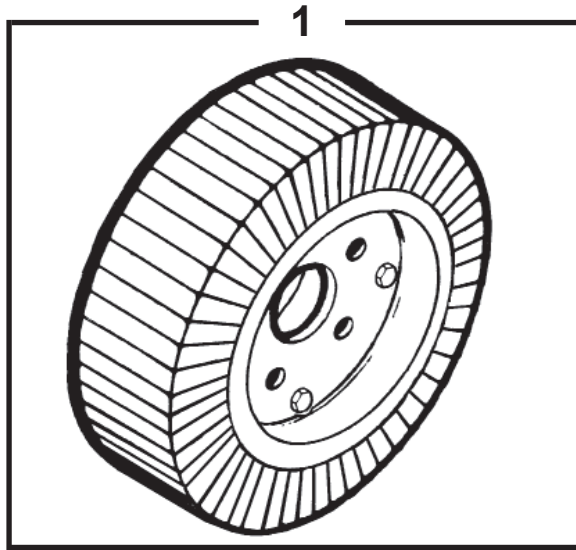
A/R - As Required

TANDEM AXLE ASSEMBLY 2120 & 12120 MODELS



Item No.	Part No.	Description	Qty.	Item No.	Part No.	Description	Qty.
1	44524BH	Locknut, 1" Flanged	4	15	14-6-197	Bearing Cup	4
2	50028461	Pin, Pivot, 1.50" x 7.50"	4	16	15445	Lug Bolt	10
3	91152	Spring Cup	4	17	15515BH	Lug Nut	10
4	91261	Rubber Cushion	4	18	449BH	Grease Fitting	4
5	50035301	Spring, Coil	4	19	7967	Seal	2
6	20860	Capscrew, 1" x 7-1/2"	4	20	50076BH	Bearing Cone, Inner	4
7	20224	Capscrew, 3/8" x 2-1/2" Gr. 5	4	21	14-6-243	Hub Cap	2
8	20363	Locknut, 3/8"	4	22	296	Cotter Pin, 1/8" x 1-1/2"	2
	50076582	Tandem Axle Assy., LH (Shown)	1	23	120BH	Nut, Slotted, 3/4" NF	2
	50076583	Tandem Axle Assy., RH	1	24	15920	Flatwasher, 3/4" SAE	2
9	50076570	Tube Assy. w/Grease Fittings	1	25	50041170	Spindle, 9.82" (Short)	2
10	50076574	Spindle Weldment, LH (Shown)	1	26	20779	Capscrew, 1/2" x 3-1/2"	2
	50076575	Spindle Weldment, RH	1	27	15554	Locknut, 1/2"	2
11	50076566	Pin Weldment	1	28	15806	Lockwasher, 1/2"	2
12	15924	Flatwasher, 1-1/2"	1	29	50028543	Spring Bushing	4
13	53065	Spiral Pin, 3/8" x 2-1/2"	1	30	50035756	Bearing Repair Kit	1
14	50035740	Hub Assembly	2	31	00779390	Hub Cap Retainer	2
				32	50073145	Spindle & Hub Assembly	2

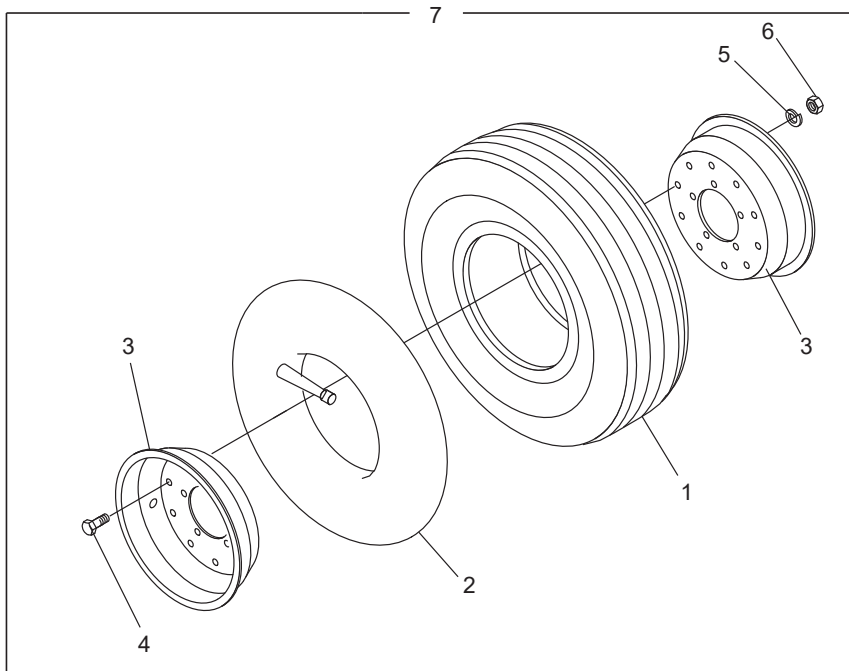
WHEEL AND TIRE ASSEMBLIES



294SP SOLID TIRE ASSEMBLY

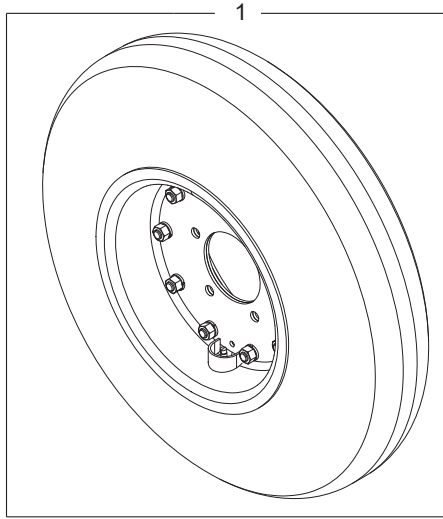
Item No.	Part No.	Description	Qty.
1	294SP	Solid Tire Assembly	1

50050727SP AIRPLANE TIRE ASSEMBLY (AIR FILLED)



Item No.	Part No.	Description	Qty.
1	50051233BH	Tire, 29 x 9.0 - 15/16 Ply	1
2	50051234	Tube, 9 x 5	1
3	50073233	Wheel Flange Set	1
4	20054	Capscrew, 1/2" x 1" Gr. 5	10
5	15804	Lockwasher, 1/2"	10
6	15508	Hex Nut, 1/2"	10
7	50050727SP	Assembly, Airplane Tire	1

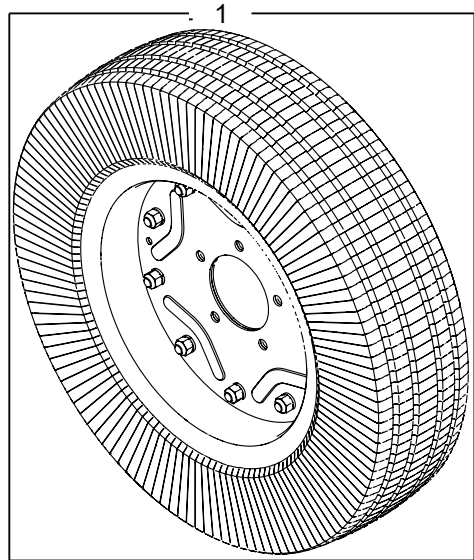
WHEEL AND TIRE ASSEMBLIES



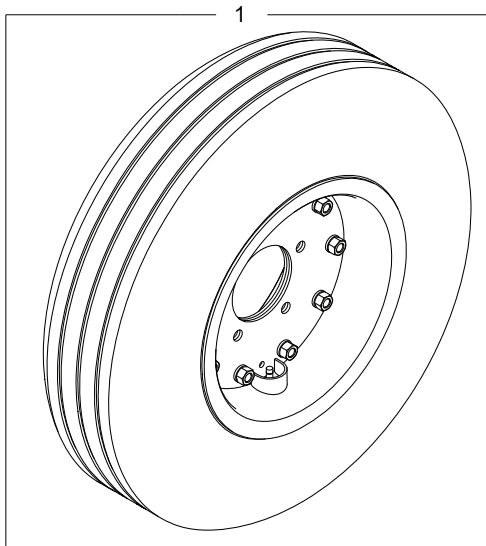
50072403SP TIRE ASSEMBLY 27.75 x 8.75 x 14.5"

Item No.	Part No.	Description	Qty.
1	50072403SP	Tire Assembly, 27.75 x 8.75 x 14.5"	1

50075401SP TIRE ASSEMBLY 25" Diameter



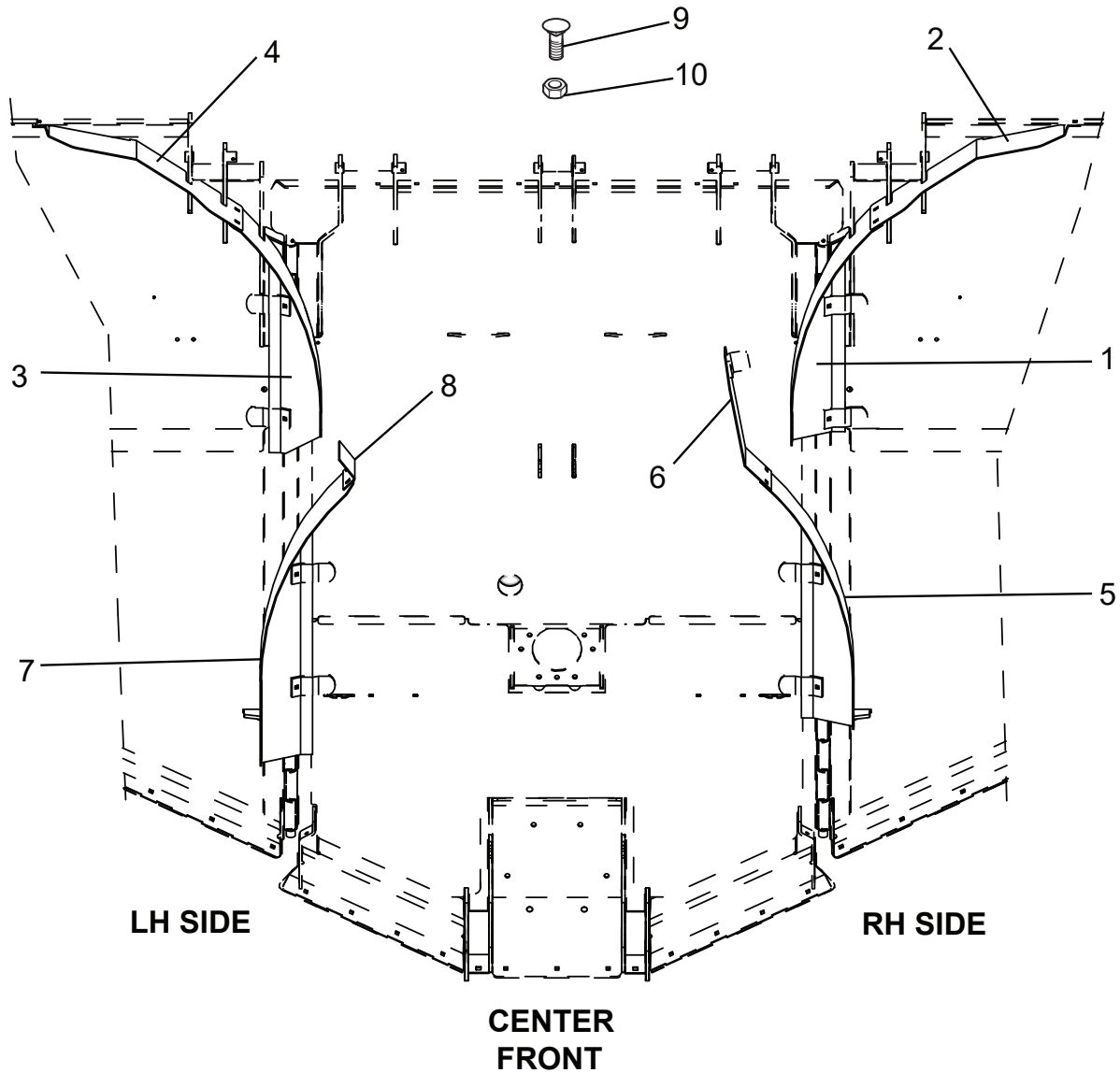
Item No.	Part No.	Description	Qty.
1	50075401SP	Segmented Tire Assembly	1



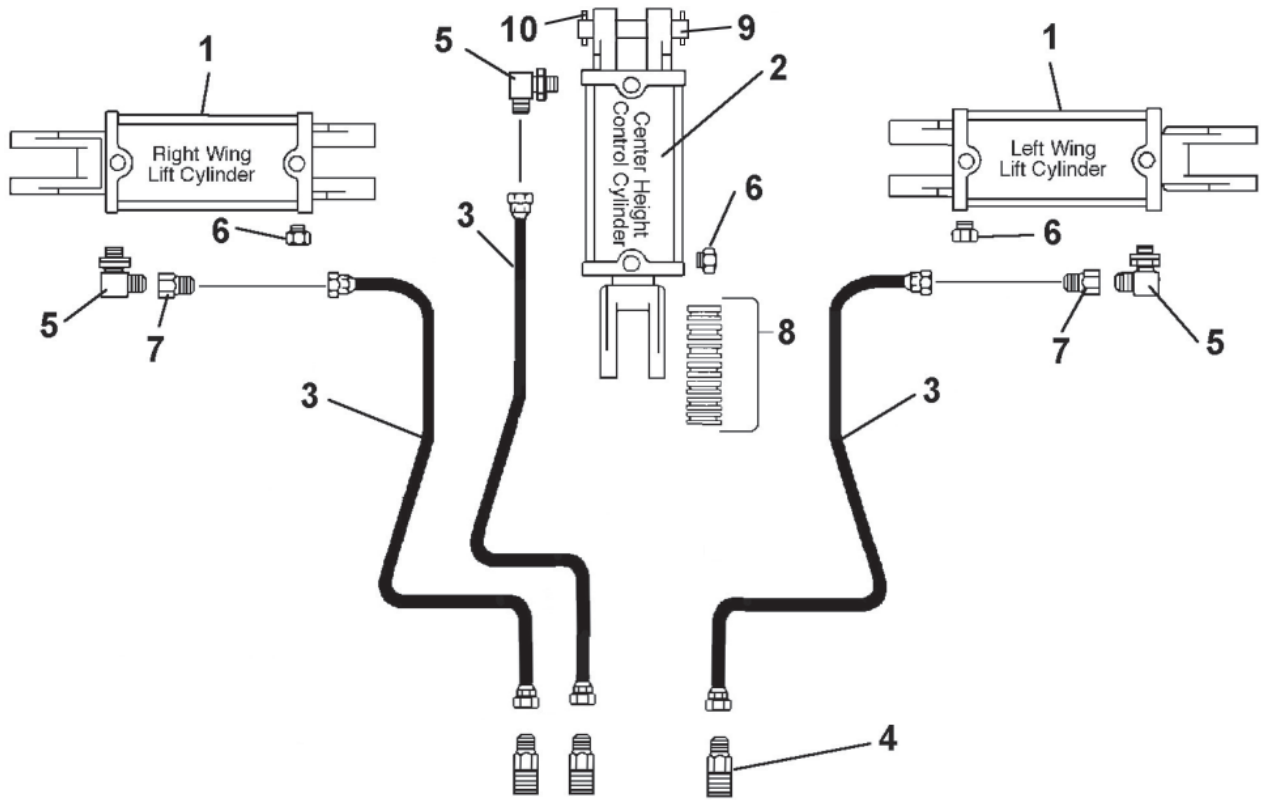
50083457SP FOAM FILLED TIRE ASSEMBLY 25.5" x 8" - 14"

Item No.	Part No.	Description	Qty.
1	50083457SP	Foam Filled Tire Assembly 25.5" x 8" - 14	1

BAFFLES 2120 & 12120 MODELS

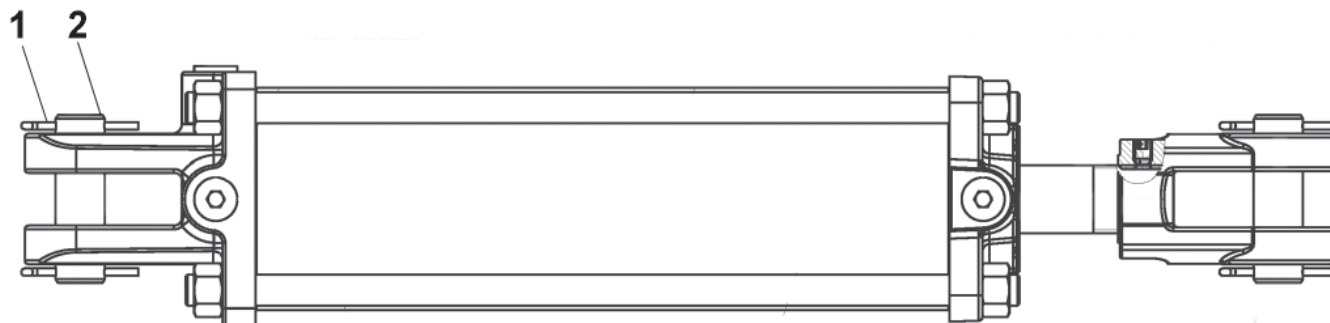


Item No.	Part No.	Description	Qty.
1	50082958	Baffle Weldment, Wing - RH	1
2	50082960	Wing Extension - RH	1
3	50082953	Baffle Weldment, Wing - LH	1
4	50082959	Wing Extension - LH	1
5	50082944	Baffle Weldment - RH	1
6	50082945	Baffle Extension - Center Deck - RH	1
7	50082939	Baffle Weldment - LH	1
8	50082947	Center Baffle	1
9	5161612	Carriage Bolt, 1/2" x 1-1/4" G5 ZP	19
10	44998BH	Locknut, 1/2" CNTR..FLNG CP	19



HYDRAULICS FOR 2120 & 12120 MODELS WHEN PLUMBING TO TRACTOR REMOTES

Item No.	Part No.	Description	Qty.
1	50081897	Wing Lift Cylinder	2 (mfg'd by Bailey)
2	50081898	Axle Control Cylinder	1 (mfg'd by Bailey)
3	86266	Hydraulic Hose Assy., .250"	3
4	53340BH	Adaptor 9/16" JIC to 3/4 SAE	3
	24-6-434	Adaptor 9/16" JIC to 1/2 SAE	3
5	14-40-98	Elbow, 90°	3
6	86500	Breather Plug	3
7	50068458	Restrictor, .078 Orifice	2
8	63451	Stop Kit	1
9	50069414	Cylinder Pin, 1" x 6.63"	1
10	20167	Cotter Pin, 3/16" x 2" ZP	2



50081897
WING HYDRAULIC CYLINDER
 4" Bore X 12" Stroke X 1.375" Rod Diameter
 Manufactured by Bailey

50081898
AXLE HYDRAULIC CYLINDER
 4" Bore X 8" Stroke X 1.375" Rod Diameter
 Manufactured by Bailey

Item No.	Part No.	Description	Qty.
	50081897	Hydraulic Cylinder Assy.	1
1	21020614	Cotter Pin	4
2	95425	Pin, 1" Dia.	2
3	50082031	Seal Kit for 4.00 Bore (item not shown)	1

Item No.	Part No.	Description	Qty.
	50081898	Hydraulic Cylinder Assy	1
1	21020614	Cotter Pin	4
2	95425	Pin, 1" Dia.	2
3	50082031	Seal Kit for 4.00 Bore (item not shown)	1



BUSH HOG[®]

2501 Griffin Ave.
Selma, AL. 36703